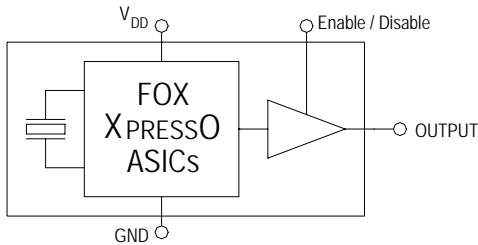


**LVDS 7 x 5mm 3.3V 50ppm XO Freq: 156.25MHz**

**Features**

- ✔ Low Jitter
- ✔ Low Cost
- ✔ Tri-State Enable / Disable Feature
- ✔ Industry Standard Package
- ✔ Gold over Nickel Termination Finish



**Electrical Characteristics**

Parameters	Symbol	Condition	Maximum Value (unless otherwise noted)
Frequency	F <sub>O</sub>		156.25 MHz
Frequency Stability 1			50 ppm
Temperature Range	T <sub>O</sub> T <sub>STG</sub>	Standard operating Storage	-40°C to +85°C -55°C to +125°C
Supply Voltage	V <sub>DD</sub>	Standard	3.3V ± 5%
Input Current	I <sub>DD</sub>	Standard Load	100 mA
Output Load	Differential	Standard	100 ohms Typ.
Start-Up Time	T <sub>S</sub>		10 mS
Output Enable / Disable Time			100 nS
Moisture Sensitivity Level	MSL		1
Termination Finish			Au

Note 1 – Stability is inclusive of 25°C tolerance, operating temperature range, input voltage change, load change, aging, shock and vibration.

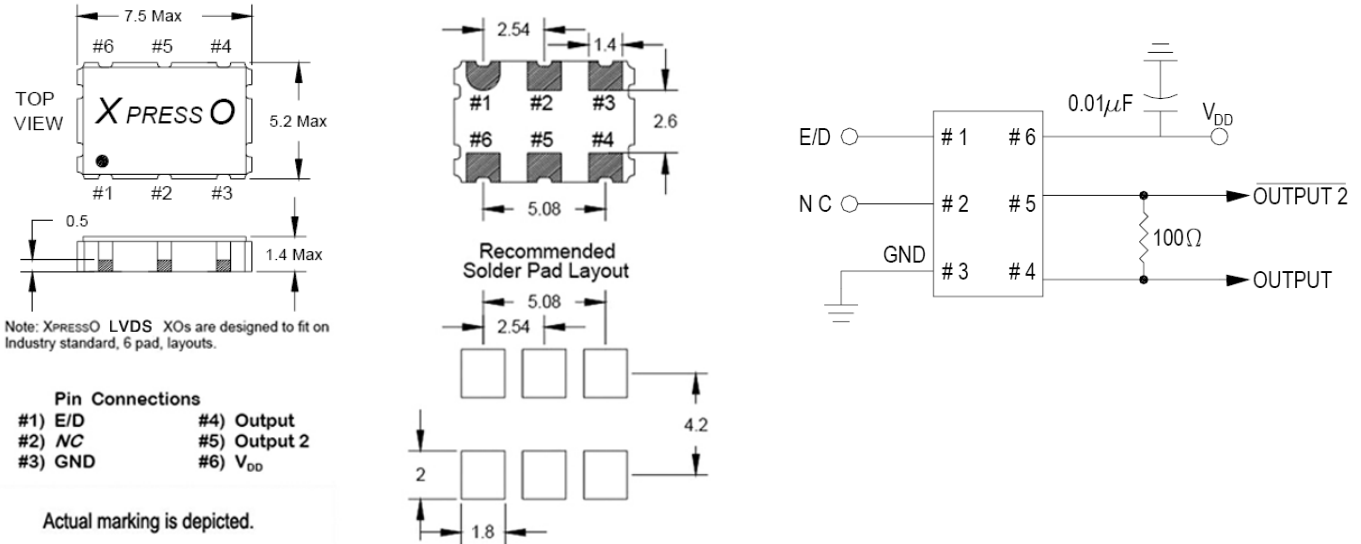
**Output Wave Characteristics**

Parameters	Symbol	Condition	Maximum Value
Differential Output Voltage	V <sub>OD</sub>	Standard Load	0.6V Typ.
Output Offset Voltage	V <sub>OS</sub>	Standard Load	1.3V Typ.
Output Symmetry		@ 50% V <sub>p-p</sub> Level	45% ~ 55%
Output Enable (PIN # 1) Voltage	V <sub>IH</sub>		≥70% V <sub>DD</sub>
Output Disable (PIN # 1) Voltage	V <sub>IL</sub>		≤ 30% V <sub>DD</sub>
Cycle Rise Time	T <sub>R</sub>	20% ~ 80% V <sub>p-p</sub>	400 pS
Cycle Fall Time	T <sub>F</sub>	80% ~ 20% V <sub>p-p</sub>	400 pS

DWG-100720 | Rev. 6/2/2010

**LVDS 7 x 5mm 3.3V 50ppm XO Freq: 156.25MHz**

**Dimensional Drawing & Pad Layout**



Drawing is for reference to critical specifications defined by size measurements. Certain non-critical visual attributes, such as side castellations, reference pin shape, etc. may vary

**Phase Jitter & Time Interval Error (TIE) (Typical Measurements)**

Frequency	Phase Jitter (12kHz to 20MHz)	TIE (Sigma of Jitter Distribution)	Units
156.25 MHz	1.19	3.6	pS RMS

**Phase Jitter** is integrated from HP3048 Phase Noise Measurement System; measured directly into 50 ohm input; V<sub>DD</sub> = 3.3V.

**TIE** was measured on LeCroy LC684 Digital Storage Scope, directly into 50 ohm input, with Amherst M1 software; V<sub>DD</sub> = 3.3V.

Per *MJSQ spec (Methodologies for Jitter and Signal Quality specifications)*

**Random & Deterministic Jitter Composition (Typical Measurements)**

Frequency	Random (Rj) (pS RMS)	Deterministic (Dj) (pS P-P)	Total Jitter (Tj) (14 x Rj) + Dj
156.25 MHz	1.3	5.8	23.6 pS

**Rj and Dj**, measured on LeCroy LC684 Digital Storage Scope, directly into 50 ohm input, with Amherst M1 software.

Per *MJSQ spec (Methodologies for Jitter and Signal Quality specifications)*

**Pin Functional Description**

Pin #	Name	Type	Function
1	E / D <sup>1</sup>	Logic	Enable / Disable Control of Output (0 = Disabled)
2	NC		No Connection – Leave Open
3	GND	Ground	Electrical Ground for V <sub>DD</sub>
4	Output	Output	LVDS Oscillator Output
5	Output 2	Output	Complementary LVDS Output
6	V <sub>DD</sub> <sup>2</sup>	Power	Power Supply Source Voltage

**NOTES:**  
<sup>1</sup> Includes pull-up resistor to V<sub>DD</sub> to provide output when the pin (1) is No Connect.  
<sup>2</sup> Installation should include a 0.01µF bypass capacitor placed between V<sub>DD</sub> (Pin 6) and GND (Pin 3) to minimize power supply line noise.