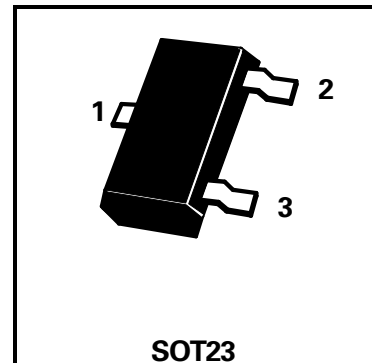
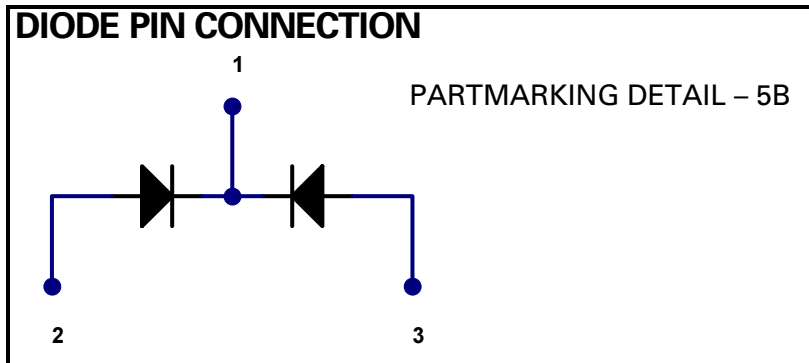


SOT23 SILICON PLANAR HIGH SPEED SWITCHING COMMON CATHODE DIODE PAIR

ISSUE 2 - OCTOBER 1995

FMMD6100



ABSOLUTE MAXIMUM RATINGS.

PARAMETER	SYMBOL	VALUE	UNIT
Breakdown Voltage Voltage ($I_R=100\mu A$)	$V_{(BR)}$	70	V
Peak Forward Current	I_F	200	mA
Peak Forward Surge Current	I_{FM}	500	mA
Power Dissipation at $T_{amb} = 25^\circ C$	P_{tot}	330	mW
Operating and Storage Temperature Range	$T_j; T_{stg}$	-55 to +150	$^\circ C$

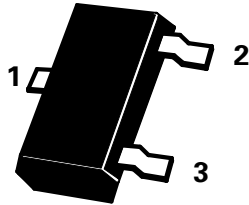
ELECTRICAL CHARACTERISTICS (at $T_{amb} = 25^\circ C$ unless otherwise stated).

PARAMETER	SYMBOL	MIN.	MAX.	UNIT	CONDITIONS.
Breakdown Voltage	$V_{(BR)}$	70		V	$I_R=10\mu A$
Forward Voltage	V_F	0.5 0.8	0.7 1.1	V V	$I_F=1mA$ $I_F=100mA$
Reverse Current	I_R		0.1	μA	$V_R=50V$
Recovery Time*	t_{rr}		5	ns	$I_F=I_R=10mA, I_{R(REC)}=1.0mA$
Diode Capacitance	C_d		2.5	pF	$V_R=0, f=1MHz$

*For switching test circuit diagram see FMMD7000 datasheet
Spice parameter data is available upon request for this device

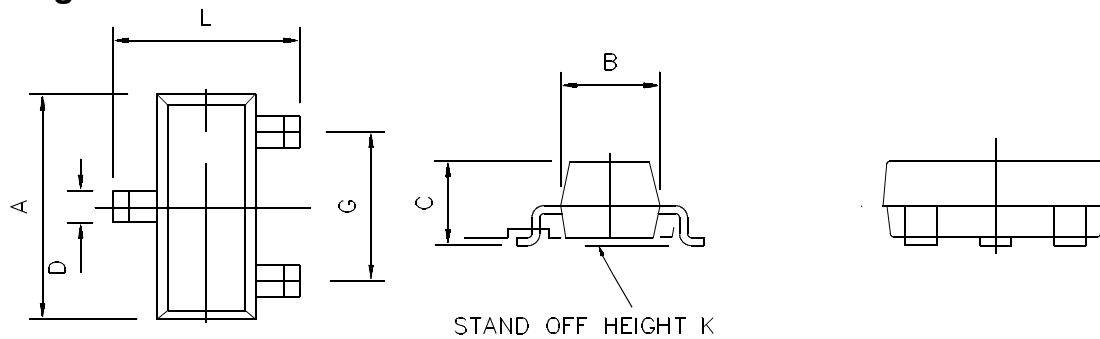


FMMD6100



DIM	Millimeters		Inches	
	Min	Max	Min	Max
A	2.67	3.05	0.105	0.120
B	1.20	1.40	0.047	0.055
C	-	1.10	-	0.043
D	0.37	0.53	0.0145	0.021
F	0.085	0.15	0.0033	0.0059
G	NOM 1.9		NOM 0.075	
K	0.01	0.10	0.0004	0.004
L	2.10	2.50	0.0825	0.0985
N	NOM 0.95		NOM 0.37	

Package Details



Zetex plc.
 Fields New Road, Chadderton, Oldham, OL98NP, United Kingdom.
 Telephone: 0161627 5105 (Sales), 0161627 4963 (General Enquiries)
 Facsimile: 0161627 5467

Zetex GmbH
 Drosselweg 30
 D81827 München
 Germany
 Telefon: (089) 430 90 29
 Fax: (089) 439 37 64

Zetex Inc.
 87 Modular Avenue
 Commack NY11725
 U.S.A.
 Telephone: (516) 5437100
 Fax: (516) 8647630

Zetex (Asia) Ltd.
 3510 Metroplaza, Tower 2
 Hing Fong Road, Kwai Fong
 Hong Kong
 Telephone: 2610 0611
 Fax: 2425 0494

These are supported by
 agents and distributors in
 major countries worldwide

©Zetex plc 1995

This publication is issued to provide outline information only which (unless agreed by the Company in writing) may not be used, applied or reproduced for any purpose or form part of any order or contract or be regarded as a representation relating to the products or services concerned. The Company reserves the right to alter without notice the specification, design, price or conditions of supply of any product or service.