

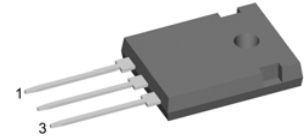
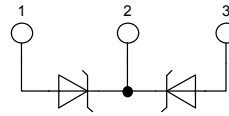
Schottky Diode

High Performance Schottky Diode
Low Loss and Soft Recovery

$$\begin{aligned} V_{RRM} &= 150 \text{ V} \\ I_{FAV} &= 2 \times 15 \text{ A} \\ V_F &= 0.74 \text{ V} \end{aligned}$$

Part number

DSA 30 C 150 HB



Backside: cathode

Features / Advantages:

- Very low V_f
- Extremely low switching losses
- low I_{rm} values
- Improved thermal behaviour
- High reliability circuit operation
- Low voltage peaks for reduced protection circuits
- Low noise switching

Applications:

- Rectifiers in switch mode power supplies (SMPS)
- Free wheeling diode in low voltage converters

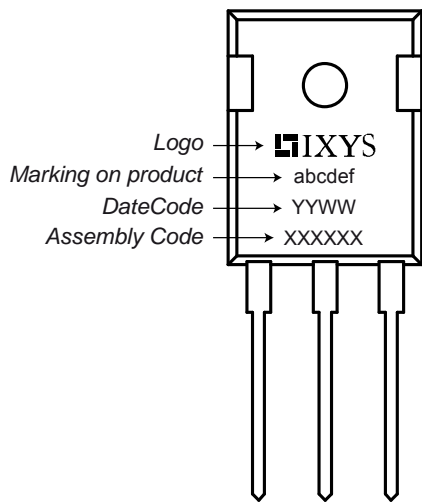
Package:

- Housing: TO-247
- Industry standard outline
- Epoxy meets UL 94V-0
- RoHS compliant

Symbol	Definition	Conditions	Ratings			Unit
			min.	typ.	max.	
V_{RRM}	max. repetitive reverse voltage				150	V
I_R	reverse current	$V_R = 150 \text{ V}$			0.3	μA
		$V_R = 150 \text{ V}$			2.5	mA
V_F	forward voltage	$I_F = 15 \text{ A}$			0.88	V
		$I_F = 30 \text{ A}$			1.00	V
		$I_F = 15 \text{ A}$			0.74	V
		$I_F = 30 \text{ A}$			0.87	V
I_{FAV}	average forward current	rectangular, $d = 0.5$			15	A
V_{F0}	threshold voltage				0.55	V
r_F	slope resistance	} for power loss calculation only			8.2	$\text{m}\Omega$
R_{thJC}	thermal resistance junction to case				1.75	K/W
T_{VJ}	virtual junction temperature		-55		175	$^{\circ}\text{C}$
P_{tot}	total power dissipation				85	W
I_{FSM}	max. forward surge current	$t = 10 \text{ ms}$ (50 Hz), sine			120	A
C_J	junction capacitance	$V_R = \text{tbd V}$; $f = 1 \text{ MHz}$			tbd	pF

Symbol	Definition	Conditions	Ratings			Unit
			min.	typ.	max.	
I_{RMS}	RMS current	per pin ¹⁾			50	A
R_{thCH}	thermal resistance case to heatsink			0.25		K/W
T_{stg}	storage temperature		-55		150	°C
Weight				6		g
M_D	mounting torque		0.8		1.2	Nm
F_C	mounting force with clip		20		120	N

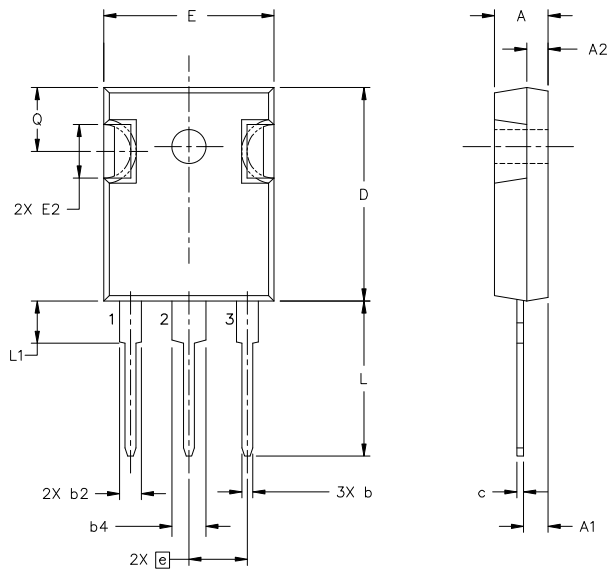
¹⁾ I_{RMS} is typically limited by: 1. pin-to-chip resistance; or by 2. current capability of the chip.
 In case of 1, a common cathode/anode configuration and a non-isolated backside, the whole current capability can be used by connecting the backside.

Product Marking

Part number

D = Diode
 S = Schottky Diode
 A = low VF
 30 = Current Rating [A]
 C = Common Cathode
 150 = Reverse Voltage [V]
 HB = TO-247AD (3)

Ordering	Part Name	Marking on Product	Delivering Mode	Base Qty	Code Key
Standard	DSA 30 C 150 HB	DSA30C150HB	Tube	30	503353

Similar Part	Package	Voltage class
DSA30C150PB	TO-220	150
DSSK30-01A	TO-247	100
DSA30C100PB	TO-220	100
DSA30C100PN	TO-220FP	100

Outlines TO-247


Symbol	Inches		Millimeters	
	min	max	min	max
A	0.185	0.209	4.70	5.30
A1	0.087	0.102	2.21	2.59
A2	0.059	0.098	1.50	2.49
D	0.819	0.845	20.79	21.45
E	0.610	0.640	15.48	16.24
E2	0.170	0.216	4.31	5.48
e	0.215 BSC		5.46 BSC	
L	0.780	0.800	19.80	20.30
L1	-	0.177	-	4.49
ØP	0.140	0.144	3.55	3.65
Q	0.212	0.244	5.38	6.19
S	0.242 BSC		6.14 BSC	
b	0.039	0.055	0.99	1.40
b2	0.065	0.094	1.65	2.39
b4	0.102	0.135	2.59	3.43
c	0.015	0.035	0.38	0.89
D1	0.515	-	13.07	-
D2	0.020	0.053	0.51	1.35
E1	0.530	-	13.45	-
ØP1	-	0.291	-	7.39