



## LVPECL or LVDS CLOCK OSCILLATOR

### FEATURES

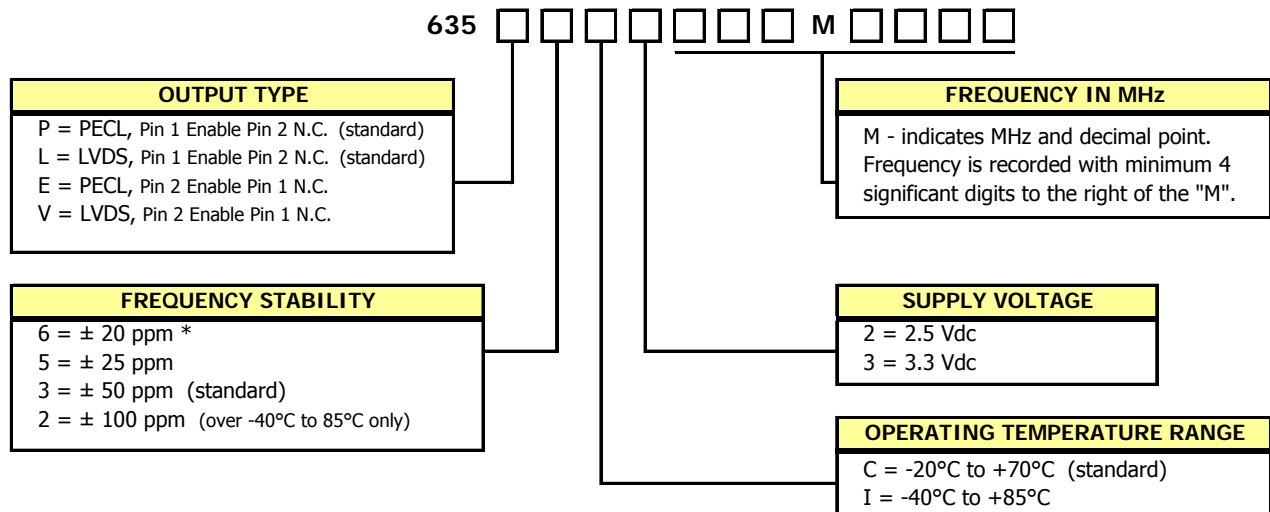
- Standard 7.5x5.0mm Surface Mount Footprint
- Differential LVPECL or LVDS Output
- **Fundamental or Overtone Crystal**
- Low Phase Jitter
- Frequency Range 19.44 – 250 MHz
- Frequency Stability,  $\pm 50$  ppm Standard ( $\pm 20$  ppm,  $\pm 25$  ppm and  $\pm 100$  ppm available)
- +2.5Vdc or +3.3Vdc Operation
- Operating Temperature to  $-40^{\circ}\text{C}$  to  $+85^{\circ}\text{C}$
- Output Enable Standard
- Tape & Reel Packaging
- **RoHS/Green Compliant (6/6)**

### DESCRIPTION

The Model 635 is a ceramic packaged Clock oscillator offering reduced size and enhanced stability. The small size means it is perfect for any application. The enhanced stability means it is the perfect choice for today's communications applications that require tight frequency control.



### ORDERING INFORMATION



\* - Not available with 'I' temperature range. Consult factory for availability before ordering.

Example Part Number: 635P3C3155M5200

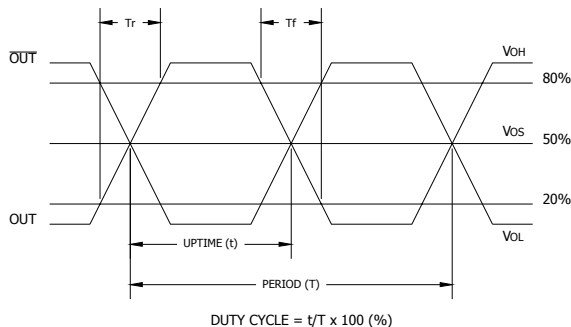
## ELECTRICAL CHARACTERISTICS

	PARAMETER	SYMBOL	CONDITIONS	MIN	TYP	MAX	UNIT	
Absolute Maximums	Maximum Supply Voltage	$V_{CC}$	-	-0.5	-	5.0	V	
	Storage Temperature	$T_{STG}$	-	-55	-	125	°C	
	Frequency Range (See Note 1) LVPECL and LVDS	$f_0$	-	19.44	-	250	MHz	
	Frequency Stability (See Note 2 and Ordering Information)	$\Delta f/f_0$	-	-	-	20, 25, 50 or 100	± ppm	
	Operating Temperature Commercial Industrial	$T_A$	-	-20 -40	25	70 85	°C	
Electrical and Waveform Parameters	Supply Voltage	$V_{CC}$	± 5 %	2.38 3.14	2.5 3.3	2.63 3.47	V	
	Supply Current LVPECL LVDS	$I_{CC}$	Maximum Load	- -	50 25	100 60	mA	
	Start Up Time	$T_S$	Application of $V_{CC}$	-	3	5	ms	
	Phase Jitter	$t_{jrms}$	Bandwidth 12 kHz - 20 MHz	-	-	1	ps RMS	
	Period Jitter	$p_{jrms}$	-	-	-	5	ps RMS	
	Enable Function		Standby					
	Enable Input Voltage	$V_{IH}$	Pin 1 or Pin 2 Logic '1', Output Enabled	0.7* $V_{CC}$	-	-	V	
	Disable Input Voltage	$V_{IL}$	Pin 1 or Pin 2 Logic '0', Output Disabled	-	-	0.3* $V_{CC}$		
	Disable Current	$I_{IL}$	Pin 1 or Pin 2 Logic '1', Output Disabled	-	-	20	µA	
	Enable Time	$T_{PLZ}$	Pin 1 or Pin 2 Logic '1'	-	-	5	ns	
	<b>LVPECL WAVEFORM</b>							
	Output Load	$R_L$	-	-	50	-	Ohms	
	Output Duty Cycle	SYM	@ $V_{CC} - 1.3V$	45	-	55	%	
	Output Voltage Levels							
	Logic '1' Level	$V_{OH}$	PECL Load	$V_{CC} - 1.025V$	-	-	V	
	Logic '0' Level	$V_{OL}$	PECL Load	-	-	$V_{CC} - 1.62V$		
	Rise and Fall Time	$T_R, T_F$	@ 20% - 80% Levels	-	0.8	1.0	ns	
	$f_0 < 100$ MHz			-	0.5	0.6		
	$f_0 > 100$ MHz			-	-	-		
	<b>LVDS WAVEFORM</b>							
	Output Load	$R_L$	Between Outputs	-	100	-	Ohms	
	Output Duty Cycle	SYM	@ 1.25V	45	-	55	%	
	Differential Output Voltage	$V_{OD}$	$R_L = 100$ Ohms	247	350	454	mV	
Differential Output Error	-	-	-	-	50	mV		
Offset Voltage	$V_{OS}$	LVDS Load	1.125	1.25	1.375	V		
Offset Error	-	-	-	-	50	mV		
Output Voltage Levels								
Logic '1' Level	$V_{OH}$	LVDS Load	-	1.43	1.6	V		
Logic '0' Level	$V_{OL}$	LVDS Load	0.9	1.1	-			
Rise and Fall Time	$T_R, T_F$	@ 20% - 80% Levels	-	0.8	1.0	ns		
$f_0 < 100$ MHz			-	0.5	0.6			
$f_0 > 100$ MHz			-	-	-			

Notes:

- For frequencies above 160 MHz consult factory for availability.
- Inclusive of initial tolerance at time of shipment, changes in supply voltage, load, temperature and 10 year aging.

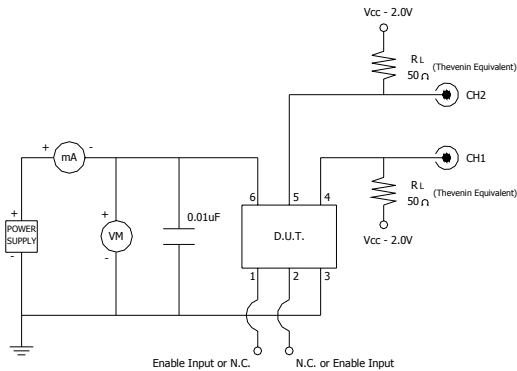
### PECL/LVDS OUTPUT WAVEFORM



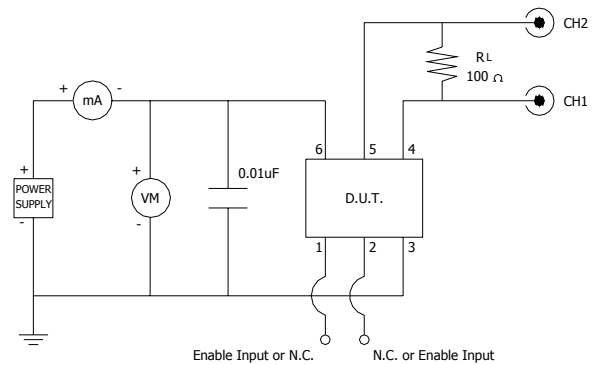
### ENABLE TRUTH TABLE

PIN 1 or PIN 2	PIN 4 / PIN 5
Logic '1'	Output
Open	Output
Logic '0'	High Imp.

**TEST CIRCUIT, PECL LOAD**

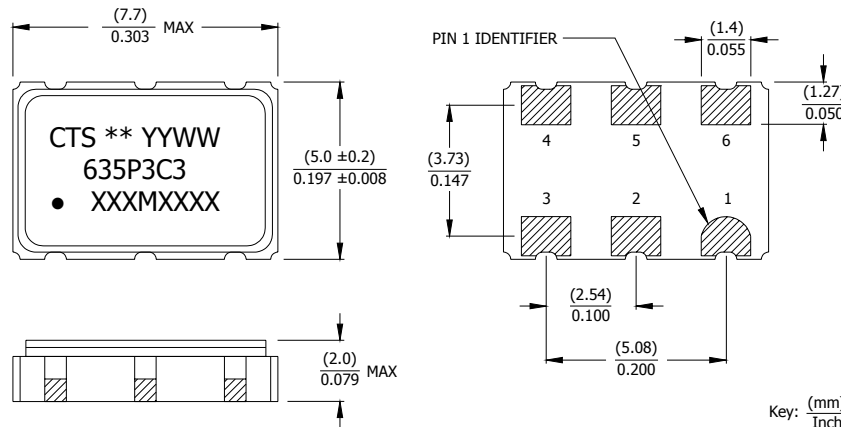


**TEST CIRCUIT, LVDS LOAD**



**MECHANICAL SPECIFICATIONS**

**PACKAGE DRAWING**



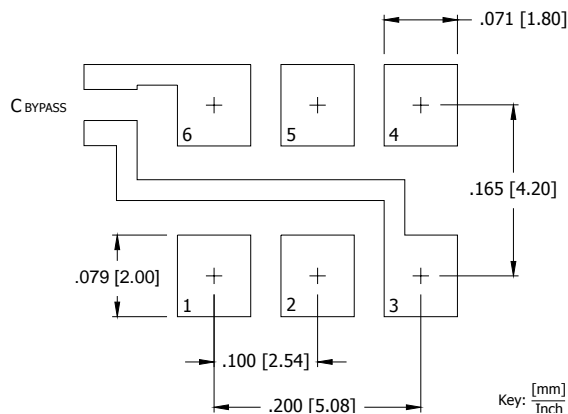
**MARKING INFORMATION**

- \*\* - Manufacturing Site Code.
- YYWW - Date code, YY - year, WW - week.
- Truncated CTS part number.
- XXXMXXXX - Frequency marked with 4 significant digits after the 'M'.

**NOTES**

- Termination pads (e4), barrier-plating is nickel (Ni) with gold (Au) flash plate.
- Reflow conditions per JEDEC J-STD-020.

**SUGGESTED SOLDER PAD GEOMETRY**

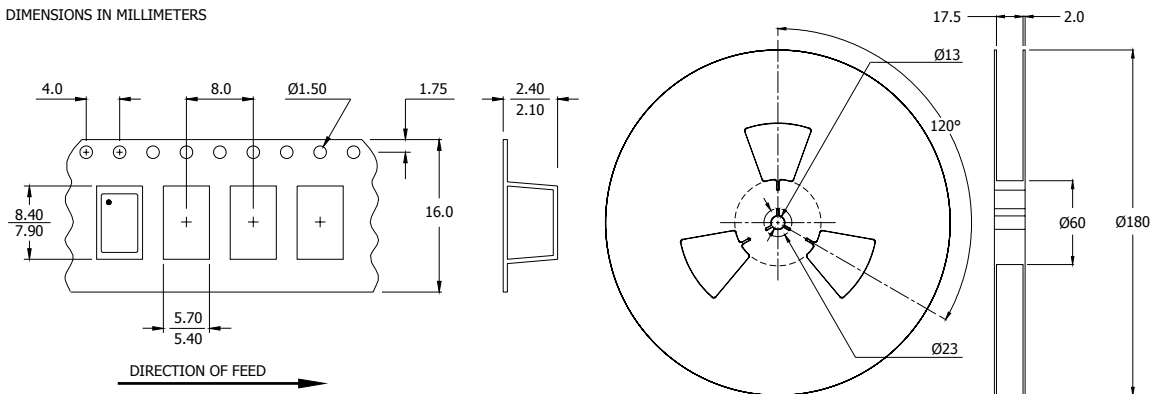


**D.U.T. PIN ASSIGNMENTS**

PIN	SYMBOL	DESCRIPTION
1	EOH or N.C.	Enable (std) or optional No Connect
2	EOH or N.C.	No Connect (std) or optional Enable
3	GND	Circuit & Package Ground
4	Output	RF Output
5	Output	Complimentary RF Output
6	V <sub>CC</sub>	Supply Voltage

## TAPE AND REEL INFORMATION

DIMENSIONS IN MILLIMETERS



Device quantity is 1,000 pieces per 180mm reel.

## ENVIRONMENTAL SPECIFICATIONS

Temperature Cycle:	400 cycles from $-55^{\circ}\text{C}$ to $+125^{\circ}\text{C}$ , 10 minute dwell at each temperature, 1 minute transfer time between temperatures.
Mechanical Shock:	1,500g's, 0.5mS duration, $\frac{1}{2}$ sinewave, 3 shocks each direction along 3 mutually perpendicular planes (18 total shocks).
Sinusoidal Vibration:	0.06 inches double amplitude, 10 to 55 Hz and 20g's, 55 to 2,000 Hz, 3 cycles each in 3 mutually perpendicular planes (9 times total).
Gross Leak:	No leak shall appear while immersed in an FC40 or equivalent liquid at $+125^{\circ}\text{C}$ for 20 seconds.
Fine Leak:	Mass spectrometer leak rates less than $2 \times 10^{-8}$ ATM cc/sec air equivalent.
Resistance to Solder Heat:	Product must survive 3 reflows of $+260^{\circ}\text{C}$ peak, 10 seconds maximum.
High Temperature Operating Bias:	2,000 hours at $+125^{\circ}\text{C}$ , maximum bias, disregarding frequency shift.
Frequency Aging:	1,000 hours at $+85^{\circ}\text{C}$ , full bias, less than $\pm 5$ ppm shift.
Moisture Sensitivity Level:	Level 1 per JEDEC J-STD-020.

## QUALITY AND RELIABILITY

Quality systems meet or exceed the requirements of ISO 9000:2000 standards.