

Plastic Tuning Fork Crystals

Series **CPFB**

Cardinal's CPF crystals offer real time frequency control in a sturdy thermoplastic encasement with a 2.5 mm height.

Part Numbering Example: CPFB Z - A1 C5 - 32.768K D12.5

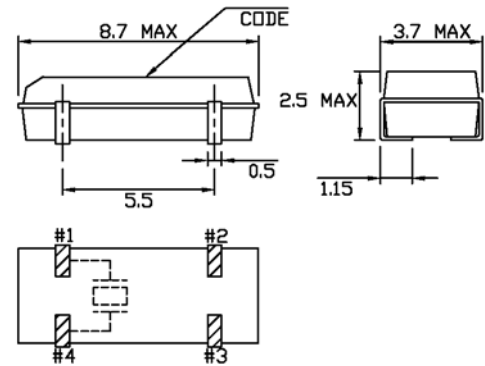
CPFB	Z	A2*	C5	32.768	D12.5
SERIES	ADDED FEATURES	OPERATING TEMP	TOLERANCE	FREQUENCY	LOAD CAP
CPFB	BLANK = BULK PACK Z = TAPE AND REEL	A2 = -40°C ~ +85°C	C5 = ± 20		D6 = 6.0 pF D12.5 = 12.5 pF

*NOTE: The above ABC combinations cover basic specification options. We tailor our crystal specifications to meet customer requirements. Please contact our sales department if you don't see exactly what you need.

Specifications:

Frequency Range:	32.768 KHz
Operating Temperature:	-40°C ~ +85°C Standard
Temperature Coefficient:	-(0.035 ± 0.008) ppm/°C ²
Frequency Tolerance:	± 20 ppm (at 25°C)
Load Capacitance:	12.5 pF Typical
Shunt Capacitance:	1.35 pF Typical
Resistance:	50,000Ω Max
Drive Level:	1.0 μW Max
Aging:	± 3.0 ppm per year
Packaging:	Tape and Reel (3K per Reel)

CPFB



RECOMMENDED SOLDER PAD LAYOUT

