

# SAW FILTER TEST & BURN IN SOCKET

AXS-3838-06-01

Precision test socket for 3.8x3.8mm, 6 pad SAW filter packages.



**RoHS**  
Compliant



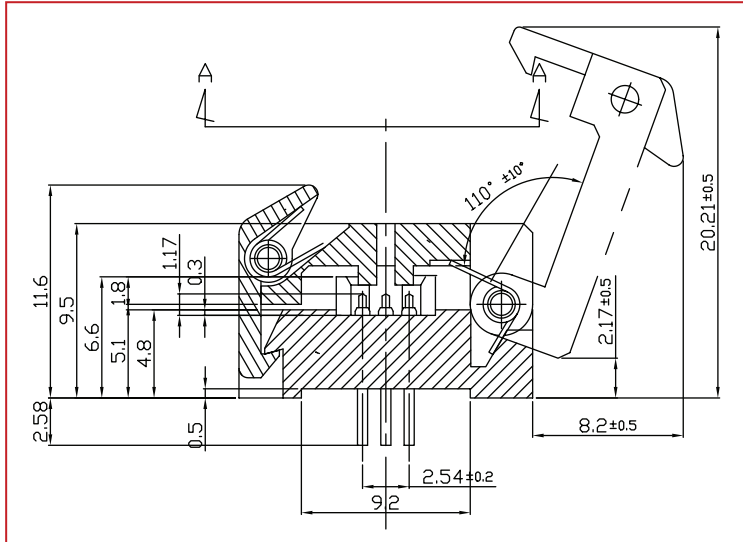
## FEATURES:

- Accurate and reliable testing of frequency control devices
- Contact force ideal for avoiding measurement error
- Highest quality socket available
- Clam shell design for easy open and close
- Reliable gold plated POGO pins
- Suitable for high temperature burn-in test
- Operating Temperature: -30 ~ +150°C

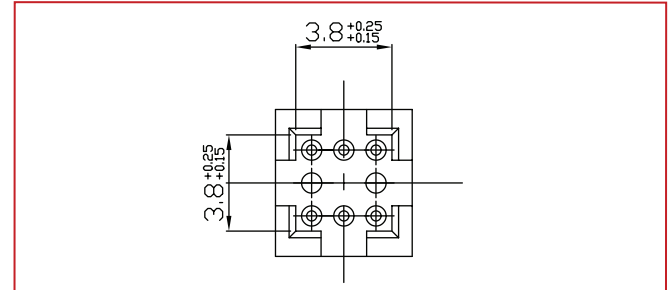
## APPLICATIONS:

- Design stage component engineering evaluation
- Supplier comparison tests
- High temperature burn-in board testing
- Prototyping

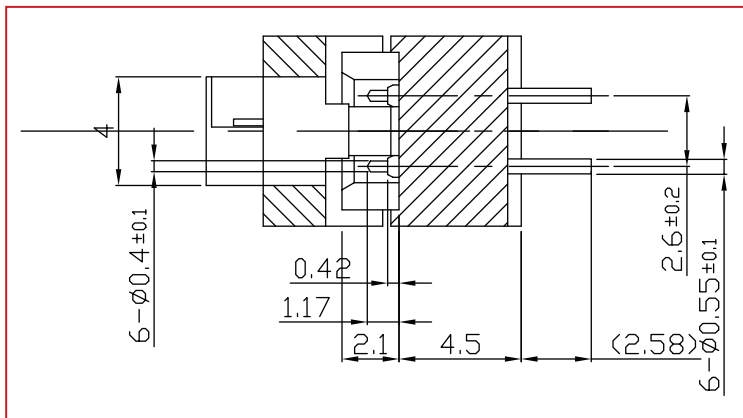
## SIDE VIEW (OPEN):



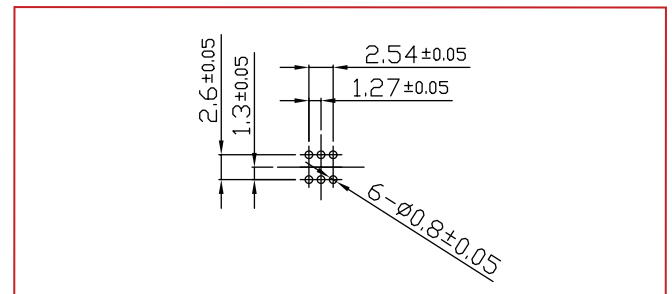
## POCKET TOP VIEW:



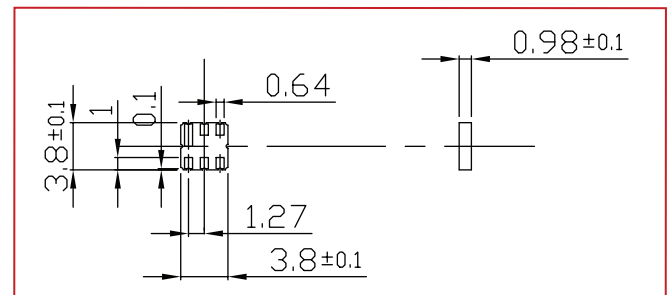
## END VIEW:



## PIN DIMENSIONS:



## SUITABLE SAW FILTER PACKAGE DIMENSIONS:



Dimensions: mm

## ORDERING INFORMATION:

When ordering, please refer to part number

# AXS-3838-06-01

## RECOMMENDED FOR USE WITH DEVICE PACKAGE DIMENSIONS:

### 3.8 x 3.8 x 0.98mm

## COMPATIBLE ABRACON SURFACE MOUNT SAW FILTER:

### 3.8 x 3.8 x 0.98mm 6 pad SAW filter

(for a pdf download go to [www.abracon.com/sawfilters.htm](http://www.abracon.com/sawfilters.htm))

\* ABRACON test and burn in sockets are compatible with all industry standard frequency control packages.

ABRACON IS  
ISO 9001 / QS 9000  
CERTIFIED



**ABRACON**  
CORPORATION

Visit [www.abracon.com](http://www.abracon.com) for Terms & Conditions of Sale **Revised: 07.10.09**

30332 Esperanza, Rancho Santa Margarita, California 92688

tel 949-546-8000 | fax 949-546-8001 | [www.abracon.com](http://www.abracon.com)