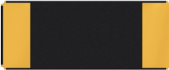


# 32.768kHz SMD LOW PROFILE CRYSTAL

ABS06



2.0 x 1.2 x 0.6mm

ABS06



RoHS  
Compliant

## FEATURES:

- Smallest industry package size for 32.768kHz crystals
- 0.6mm height ideal for high density circuit boards
- Ceramic package offers excellent environmental & heat resistance
- Extended temperature -40°C to +85°C for industrial applications

## APPLICATIONS:

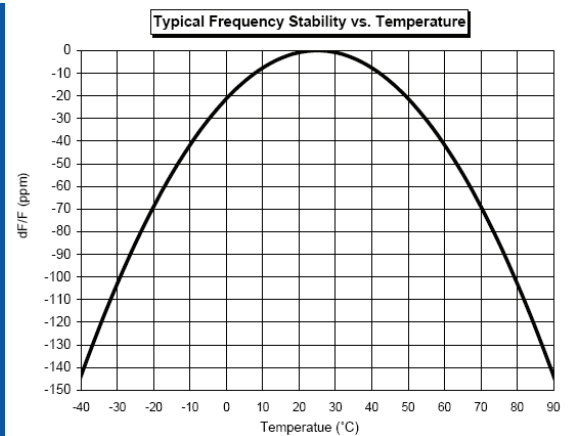
- Wide range in communication & measuring equipment
- Commercial & Industrial applications
- Automotive electronics applications
- Wireless communications
- PDA and Palm Pilots

## STANDARD SPECIFICATIONS:

### PARAMETERS

ABRACON P/N	ABS06 Series
Nominal Frequency	32.768 kHz
Operating Temperature	-40°C to + 85°C
Turn-over Temperature	+25°C to ±5°C
Storage Temperature	-55°C to +125°C
Frequency Tolerance	±20 ppm max.
Temperature Coefficient	- 0.034±0.005 ppm/°C <sup>2</sup>
Equivalent Series Resistance	90 kohms max.
Load Capacitance CL	12.5 pF (see option)
Drive Level	0.5 μW max.
Aging (first year) 25°C	± 3 ppm max.
Insulation Resistance	500 MΩ with 100 Vdc ±15V

### EXAMPLE TUNING FORK CRYSTAL TEMPERATURE CURVE



## OPTIONS AND PART IDENTIFICATION:

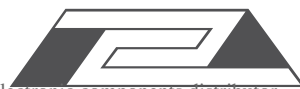
(Left blank if standard)

ABS06-32.768kHz-  -  -

Load Capacitance		Freq. Tolerance		Packaging	
Blank	12.5pF	1	± 10 ppm	Blank	Bulk
9	9pF	4	± 30 ppm	T	Tape and Reel

\*Contact ABRACON for non-standard load capacitance.

ABRACON IS  
ISO 9001 / QS 9000  
CERTIFIED



**ABRACON**  
CORPORATION

Visit [www.abracon.com](http://www.abracon.com) for Terms & Conditions of Sale **Revised: 08.25.10**  
30332 Esperanza, Rancho Santa Margarita, California 92688  
tel 949-546-8000 | fax 949-546-8001 | [www.abracon.com](http://www.abracon.com)

# 32.768kHz SMD LOW PROFILE CRYSTAL

ABS06

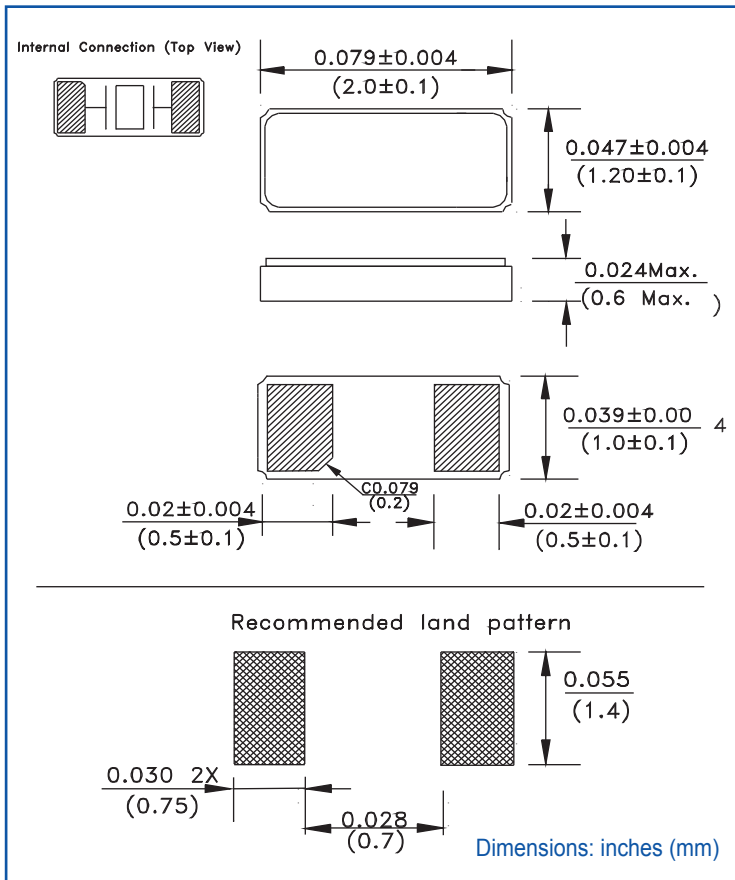


2.0 x 1.2 x 0.6mm

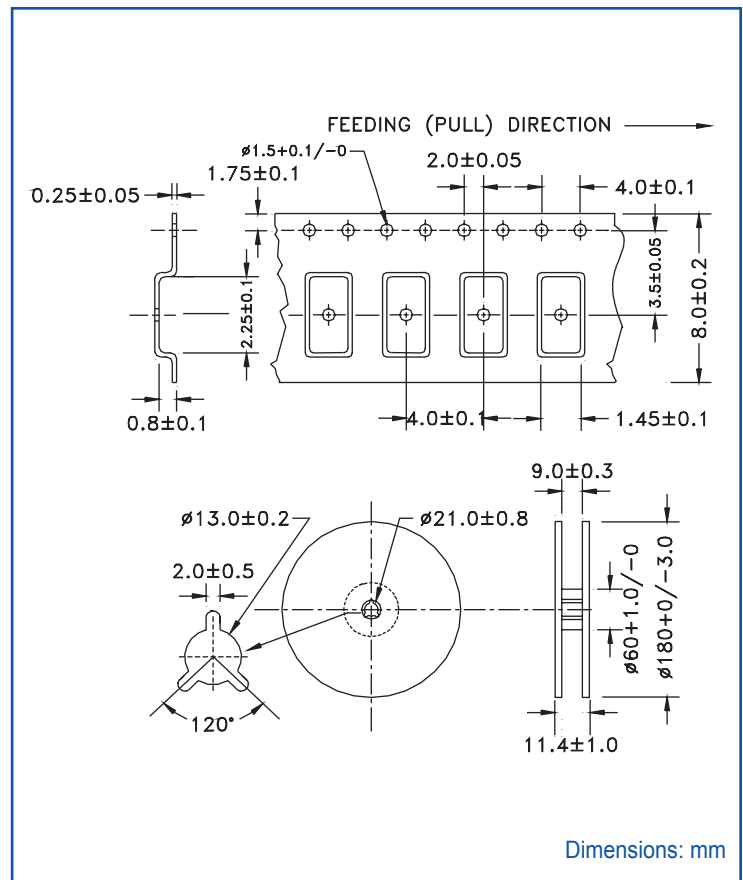
ABS06



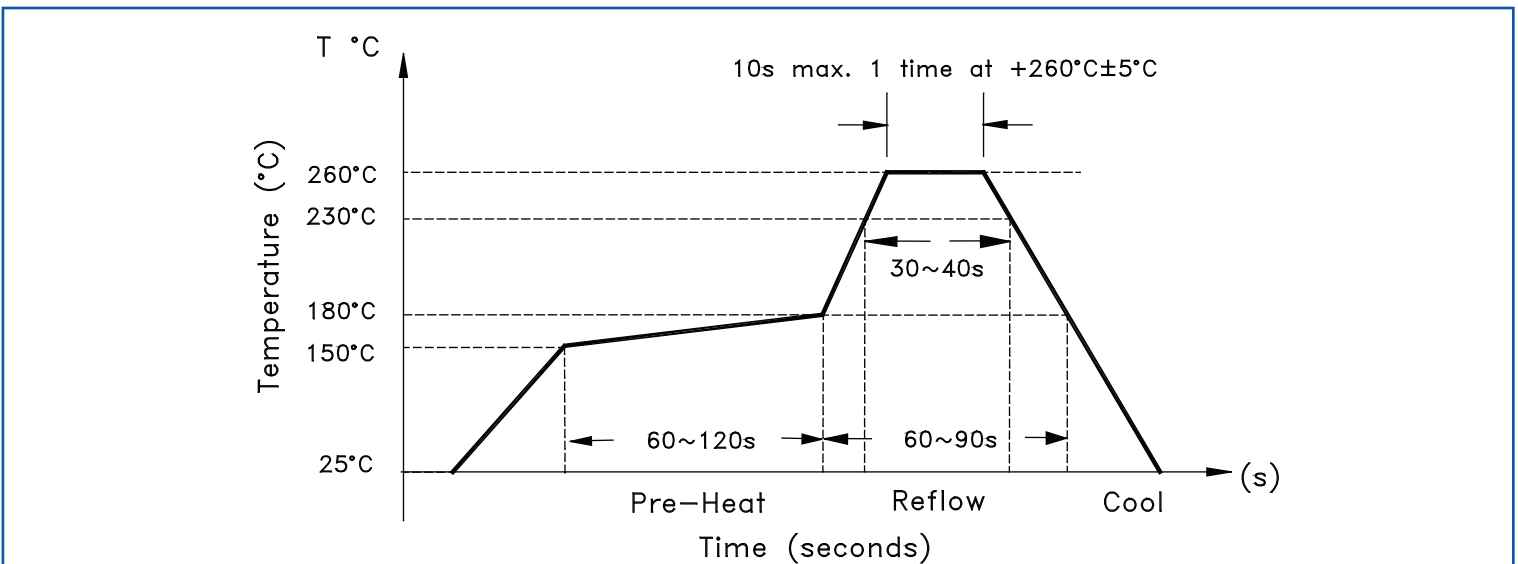
## OUTLINE DRAWING:



## TAPE & REEL: T = Tape and reel 3,000pcs/reel



## TAPE & REEL:



Need a test socket for the ABS06 Series? To view compatible **PRECISION TEST & BURN-IN SOCKETS** for these parts, [click here](#). P/N AXS-2012-02-04

**ATTENTION:** Abracon Corporation's products are COTS – Commercial-Off-The-Shelf products; suitable for Commercial, Industrial and, where designated, Automotive Applications. Abracon's products are not specifically designed for Military, Aviation, Aerospace, Life-dependant Medical applications or any application requiring high reliability where component failure could result in loss of life and/or property. For applications requiring high reliability and/or presenting an extreme operating environment, written consent and authorization from Abracon Corporation is required. Please contact Abracon Corporation for more information.

ABRACON IS  
ISO 9001 / QS 9000  
CERTIFIED



**ABRACON  
CORPORATION**

Visit [www.abracon.com](http://www.abracon.com) for Terms & Conditions of Sale **Revised: 08.25.10**

30332 Esperanza, Rancho Santa Margarita, California 92688

tel 949-546-8000 | fax 949-546-8001 | [www.abracon.com](http://www.abracon.com)