

32.768 kHz FREQUENCY SMD CRYSTAL

LOW PROFILE, HEAT RESISTANT PLASTIC PACKAGE



ABS25

Pb in High Temperature Solder
(exempt per RoHS 2002/95/EC Annex (7))

RoHS
Compliant

FEATURES:

- Low frequency in small size SMD
- 2.5mm height ideal for high density circuit boards
- Excellent environmental & heat resistance plastic package with reflow capability
- Extended temperature -40°C to +85°C for industrial applications

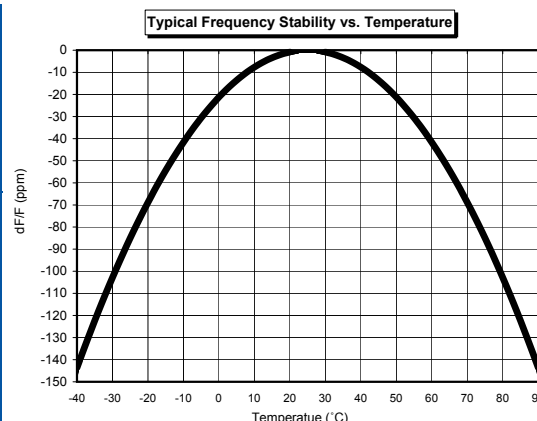
APPLICATIONS:

- Wide range in communication & measuring equipment
- Commercial & Industrial applications
- Automotive electronics applications *
- Wireless communications
- PDA and Palm Pilots

STANDARD SPECIFICATIONS:

PARAMETERS	
ABRACON P/N	ABS25
Standard Frequency	32.768 kHz
Additional Frequencies Available*	32.00kHz, 36.00kHz, 38.40kHz, 40.00kHz, 60.00kHz, 75.00kHz, 76.80kHz, 96.00kHz, 100.00kHz
Frequency Range	30kHz to 100kHz
Operating Temperature	-40°C to + 85°C
Turn-over Temperature	+25°C to ±5°C
Storage Temperature	-55°C to +125°C
Frequency Tolerance	±20 ppm max. (for 32.768kHz) ±30 ppm max. for other frequencies (see options)
Capacitance Ratio	450 typ. (32.768kHz) 425 to 800 typ. (others)
Frequency Coefficient (β)	- 0.034±0.006 ppm/T ²
Equivalent Series Resistance	50 kohms max.
Load Capacitance CL	12.5 pF (see option)
Shunt Capacitance C0	1.35 pF typ. (32.768kHz) 0.8 pF to 1.7 pF typ. (others)
Drive Level	1.0 μ W max.
Aging @ 25°C ± 3°C first year	± 3 ppm max. (32.768kHz) ± 5 ppm max. (others)
Insulation Resistance	500 M Ω with 100 Vdc ±15V

TUNING FORK CRYSTAL TEMPERATURE CURVE



* For additional frequencies please contact Abracon.

OPTIONS AND PART IDENTIFICATION:

(Left blank if standard)

ABS25- Frequency- - -

CL Option
Please specify load cap. in pF (ex. 6pF)

Freq. Tolerance	
1	± 10 ppm
5	± 15 ppm
2	± 20 ppm
3	± 25 ppm
4	± 30 ppm

Packaging	
Blank	Bulk
T	Tape and Reel

ABRACON IS
ISO9001:2008
CERTIFIED



ABRACON
CORPORATION

Visit www.abracon.com for Terms & Conditions of Sale **Revised: 06.29.10**

30332 Esperanza, Rancho Santa Margarita, California 92688

tel 949-546-8000 | fax 949-546-8001 | www.abracon.com

32.768 kHz FREQUENCY SMD CRYSTAL

LOW PROFILE, HEAT RESISTANT PLASTIC PACKAGE

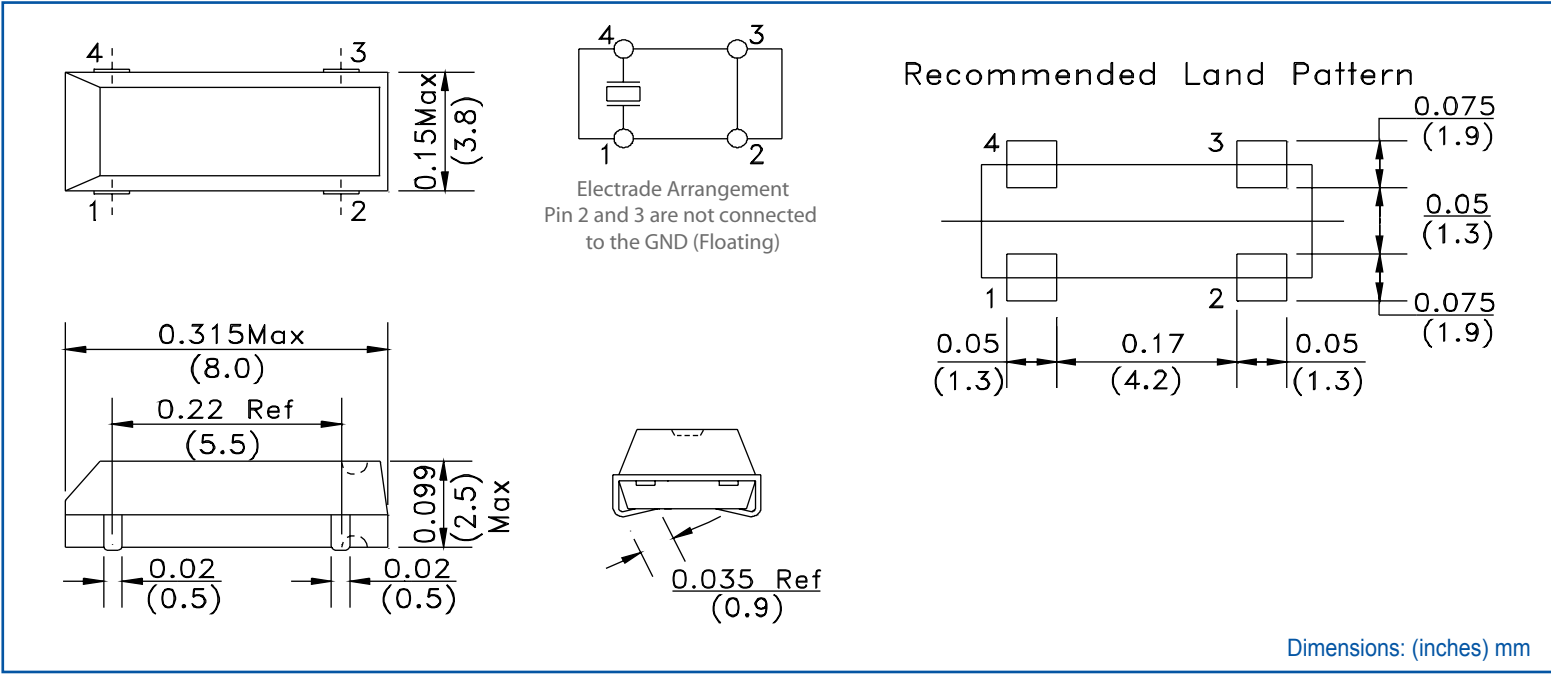


ABS25

Pb in High Temperature Solder
(exempt per RoHS 2002/95/EC Annex (7))

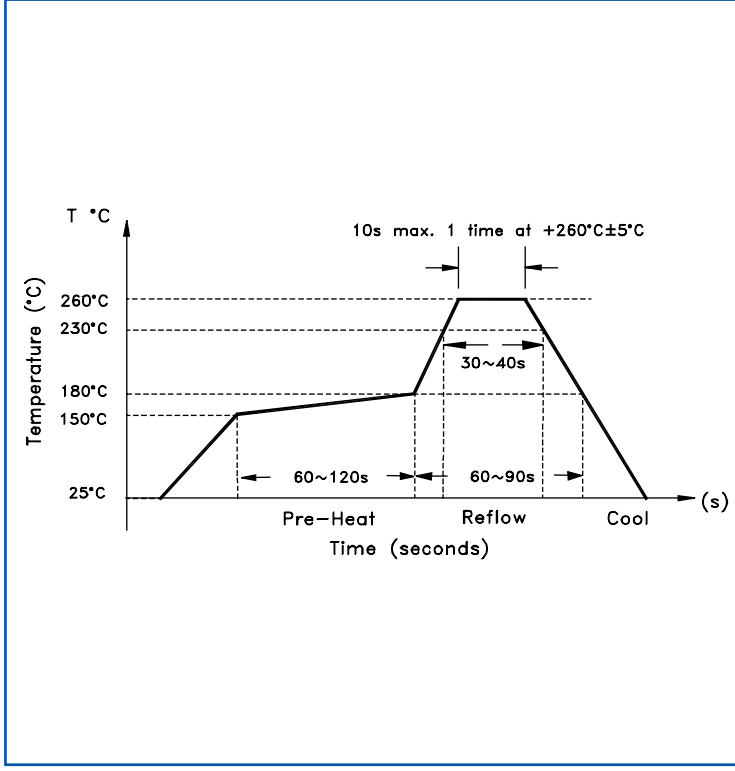
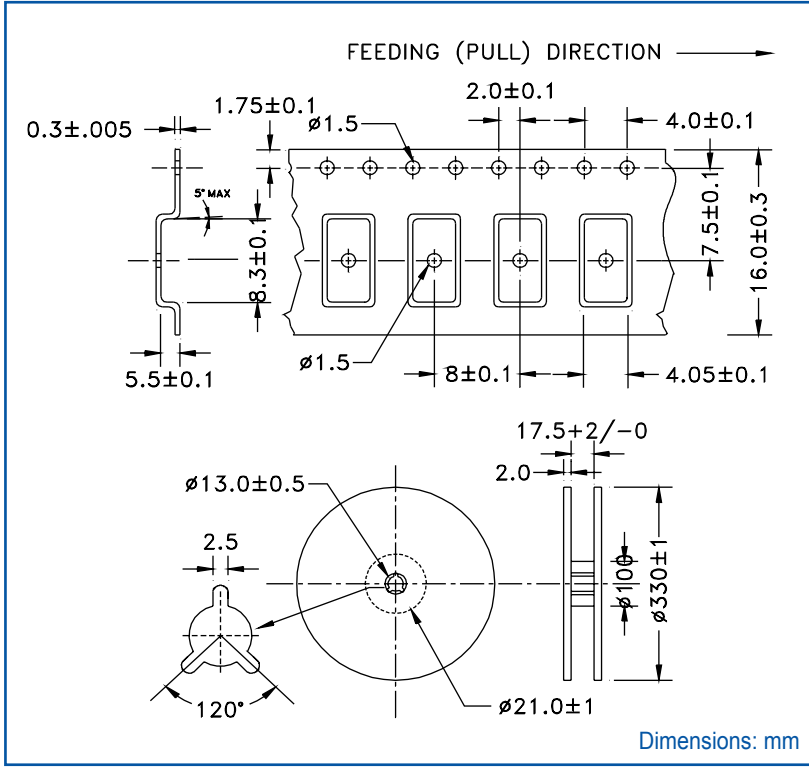
RoHS Compliant

OUTLINE DRAWING:



TAPE & REEL: T = Tape and reel 3,000pcs/reel

REFLOW PROFILE



ATTENTION: Abracon Corporation's products are COTS – Commercial-Off-The-Shelf products; suitable for Commercial, Industrial and, where designated, Automotive Applications. Abracon's products are not specifically designed for Military, Aviation, Aerospace, Life-dependant Medical applications or any application requiring high reliability where component failure could result in loss of life and/or property. For applications requiring high reliability and/or presenting an extreme operating environment, written consent and authorization from Abracon Corporation is required. Please contact Abracon Corporation for more information.