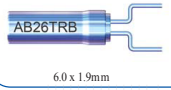


LOW FREQUENCY REFLOWABLE CYLINDRICAL WATCH CRYSTAL

AB26TRB

Pb in high temperature solder
(exempt per RoHS 2002/95/EC Annex (7))

RoHS
Compliant



FEATURES:

- Formed leads for low cost SMD type
- Excellent shock resistance
- Reflow Capable
- Low cost for consumer applications
- IR reflow capable

APPLICATIONS:

- Real time clock
- Measuring instruments
- Blue-tooth and wireless applications

STANDARD SPECIFICATIONS:

PARAMETERS

ABRACON P/N	AB26TRB Series
Frequency Range	32.768kHz
Operating Temperature	-40°C to +85°C
Turn-over Temperature	25°C to ± 5°C
Storage Temperature	-55°C to +125°C
Frequency Tolerance	± 20 ppm max. (See Options)
Frequency Stability	-0.034 ± 0.006 ppm/°C ²
Equivalent Series Resistance	50kohms max.
Shunt Capacitance C0	1.35pF typ.
Load Capacitance CL	12.5pF (see options)
Quality Factor	70,000 typ.
Drive Level	1 μW max.
Aging at 25°C first year	± 3 ppm max.
Insulation Resistance	500 MΩ min @ 100 VDC ± 15V

OPTIONS & PART IDENTIFICATION:

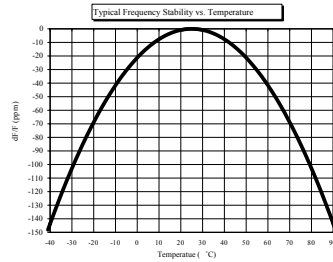
(Left blank if standard)

AB26TRB-Frequency -X-X-T

Load Capacitance		Frequency Tolerance		Packaging	
Blank	12.5pF	Blank	Standard	Blank	Bulk
6	6pF	1	± 10 ppm	T	Tape and Reel
10	10pF	7	± 15 ppm		

*Contact ABRACON for non-standard load capacitance

TUNING FORK CRYSTAL TEMPERATURE CURVE



ABRACON IS
ISO9001:2008
CERTIFIED

ABRACON
CORPORATION

Visit www.abracon.com for Terms & Conditions of Sale Revised: 02.28.11
30332 Esperanza, Rancho Santa Margarita, California 92688
tel 949-546-8000 | fax 949-546-8001 | www.abracon.com

LOW FREQUENCY REFLOWABLE CYLINDRICAL WATCH CRYSTAL



AB26TRB

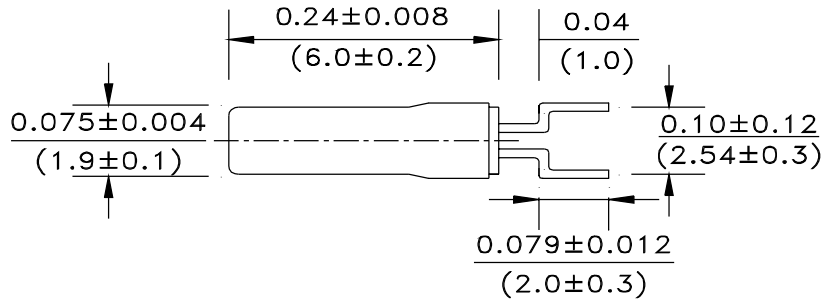
6.0 x 1.9mm

AB26TRB

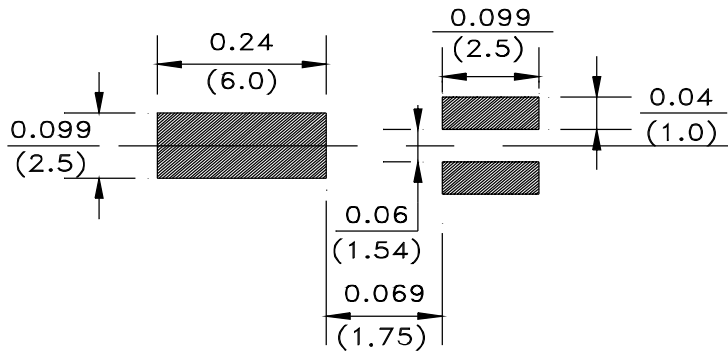
Pb in high temperature solder
(exempt per RoHS 2002/95/EC Annex (7))

RoHS
Compliant

OUTLINE DRAWING:



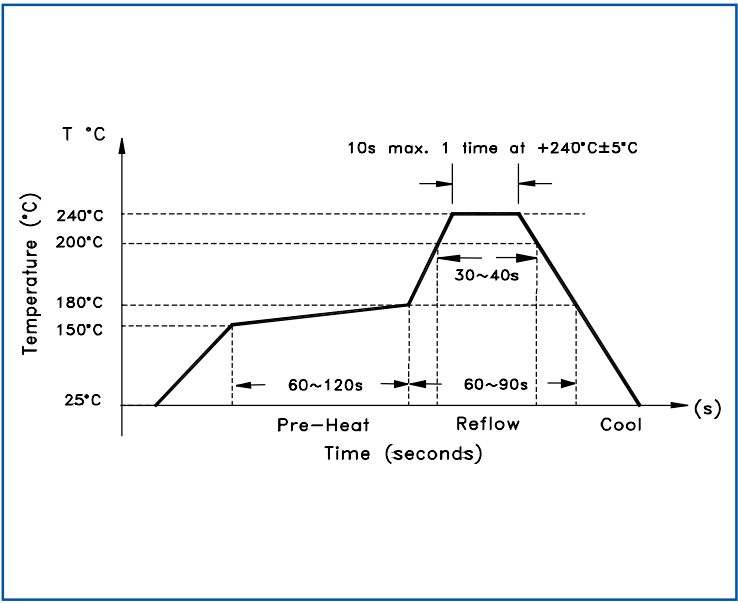
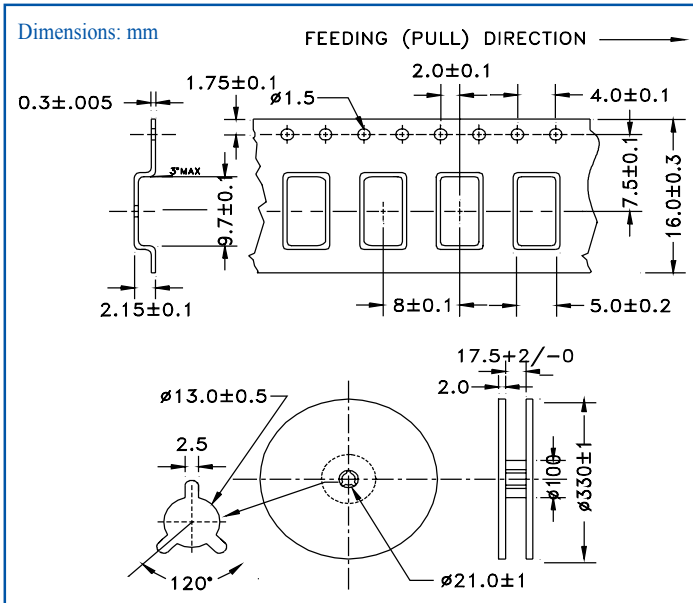
Recommended Land Pattern



Dimensions: inches (mm)

TAPE & REEL: T = Tape and reel 2,000pcs/reel

REFLOW PROFILE:



ATTENTION: Abracon Corporation's products are COTS – Commercial-Off-The-Shelf products; suitable for Commercial, Industrial and, where designated, Automotive Applications. Abracon's products are not specifically designed for Military, Aviation, Aerospace, Life-dependant Medical applications or any application requiring high reliability where component failure could result in loss of life and/or property. For applications requiring high reliability and/or presenting an extreme operating environment, written consent and authorization from Abracon Corporation is required. Please contact Abracon Corporation for more information.

ABRACON IS
ISO9001:2008
CERTIFIED



Visit www.abracon.com for Terms & Conditions of Sale Revised: 02.28.11
30332 Esperanza, Rancho Santa Margarita, California 92688
tel 949-546-8000 | fax 949-546-8001 | www.abracon.com