

STEERING DIODE/ TVS ARRAY COMBO**APPLICATIONS**

- ✓ Ethernet - 10/100/1000 Base T
- ✓ Cellular Phones
- ✓ Handheld & Portable Electronics
- ✓ Video/Graphics Card
- ✓ USB 2.0 Interface
- ✓ DVI Interface

IEC COMPATIBILITY (EN61000-4)

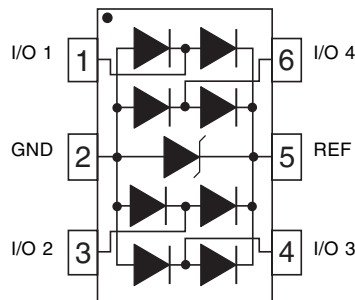
- ✓ 61000-4-2 (ESD): Air - 15kV, Contact - 8kV
- ✓ 61000-4-4 (EFT): 40A - 5/50ns
- ✓ 61000-4-5 (Surge): 24A, 8/20 μ s - Level 2(Line-Gnd) & Level 3(Line-Line)

FEATURES

- ✓ 500 Watts Peak Pulse Power per Line (tp=8/20 μ s)
- ✓ ESD Protection > 40 kilovolts
- ✓ Low Clamping Voltage
- ✓ Protects 4 Lines
- ✓ Ultra Low Capacitance: 3.5pF Typical
- ✓ RoHS Compliant

MECHANICAL CHARACTERISTICS

- ✓ Molded JEDEC SOT-23-6 Package
- ✓ Weight 16 milligrams (Approximate)
- ✓ Available in Lead-Free Nickel-Paladium-Gold Plating
- ✓ Solder Reflow Temperature:
Nickel-Paladium-Gold (Ni/Pd/Au) - Sn/Ag/Cu, 96/3.5/0.5: 260-270°C
- ✓ Flammability Rating UL 94V-0
- ✓ 8mm Tape and Reel Per EIA Standard 481
- ✓ Marking: Marking Code & Pin One Defined By DOT on Package

**SOT-23-6****PIN CONFIGURATION**

DEVICE CHARACTERISTICS

MAXIMUM RATINGS @ 25°C Unless Otherwise Specified

PARAMETER	SYMBOL	VALUE	UNITS
Peak Pulse Power (tp = 8/20µs) - See Figure 1	P _{PP}	500	Watts
Operating Temperature	T _L	-55 to 150	°C
Storage Temperature	T _{STG}	-55 to 150	°C
Forward Surge Rating(5ms @ 25°C, I _F = 10mA)	V _F	0.5 Min. to 1.2 Max.	Volts
Peak Pulse Current (tp = 8/20µs) - See Note 1	I _{PP}	30	Amps

Note 1: Across TVS only - pin 2 to pin 5.

ELECTRICAL CHARACTERISTICS PER LINE @ 25°C Unless Otherwise Specified

PART NUMBER	DEVICE MARKING	RATED STAND-OFF VOLTAGE (See Note 1) V _{WM} VOLTS	MINIMUM BREAKDOWN VOLTAGE (See Note 1) @ 1mA V _(BR) VOLTS	MAXIMUM CLAMPING VOLTAGE (See Fig. 2) (See Note 1) @ I _p = 1A V _C VOLTS	MAXIMUM CLAMPING VOLTAGE (See Fig. 2) (See Note 1) @ I _p = 5A V _C VOLTS	MAXIMUM LEAKAGE CURRENT (See Note 1) @ V _{WM} I _b µA	TYPICAL CAPACITANCE (See Note 1) 0V @ 1 MHz C _(JSD) pF
SRV05-4	S5	5.0	6.0	12.0	15.0	5	3.5

Note 1: From I/O pin to ground.

FIGURE 1
PEAK PULSE POWER VS PULSE TIME

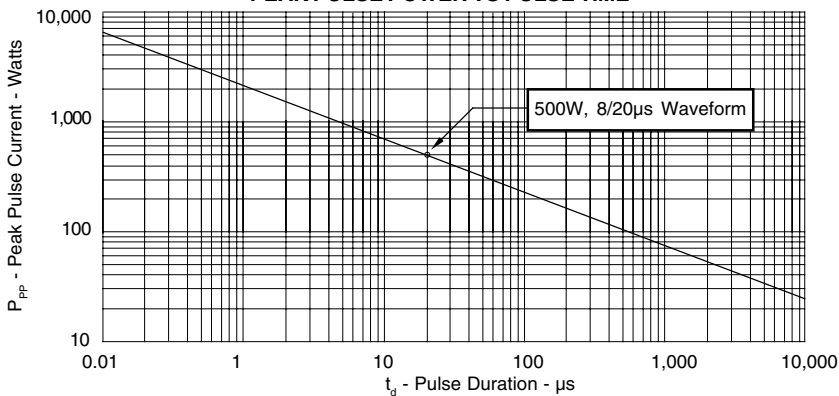
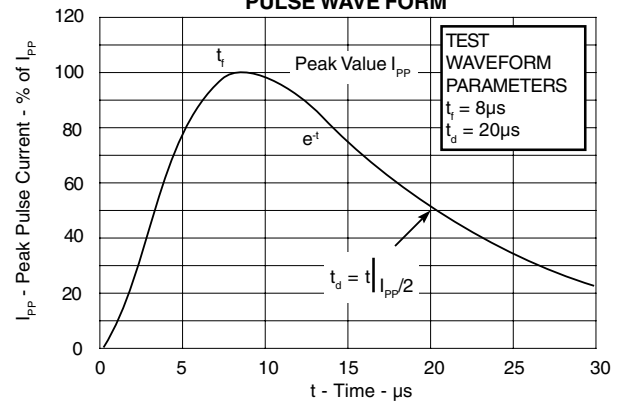
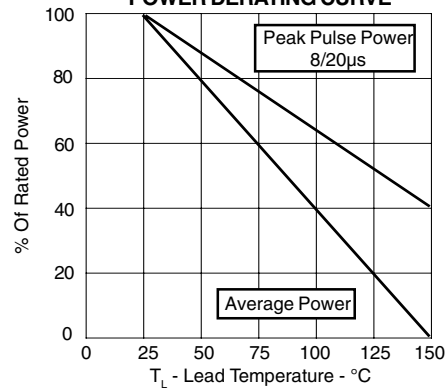


FIGURE 2
PULSE WAVE FORM

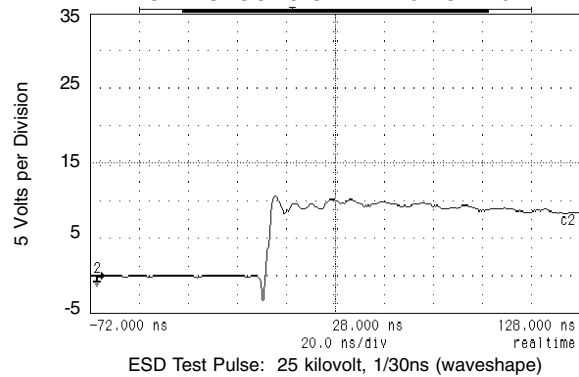


GRAPHS

**FIGURE 3
POWER DERATING CURVE**



**FIGURE 4
OVERSHOOT & CLAMPING VOLTAGE**



SRV05-4

SOT-23-6 PACKAGE OUTLINE & DIMENSIONS

PACKAGE OUTLINE

SOT-23-6

PACKAGE DIMENSIONS

DIM	MILLIMETERS		INCHES	
	MIN	MAX	MIN	MAX
A	2.80	3.05	0.110	0.120
B	1.50	1.75	0.059	0.070
C	0.90	1.30	0.036	0.051
D	0.30	0.40	0.012	0.016
E	0.85	1.05	0.033	0.040
G	0.90	1.45	0.036	0.057
J	0.09	0.20	0.003	0.008
K	2.60	3.00	0.102	0.118
L	0.0	0.15	0.0	0.006
M	0.30	0.60	0.012	0.024

MOUNTING PAD

TYPICAL		
DIM	Millimeters	Inches
1	0.70	0.028
2	1.90	0.074
3	0.95	0.037
4	2.40	0.094
5	1.00	0.039

NOTES

- Dimensioning and tolerances per ANSI Y14.5M, 1985.
- Controlling Dimension: Inches
- Dimensions are exclusive of mold flash and metal burrs.

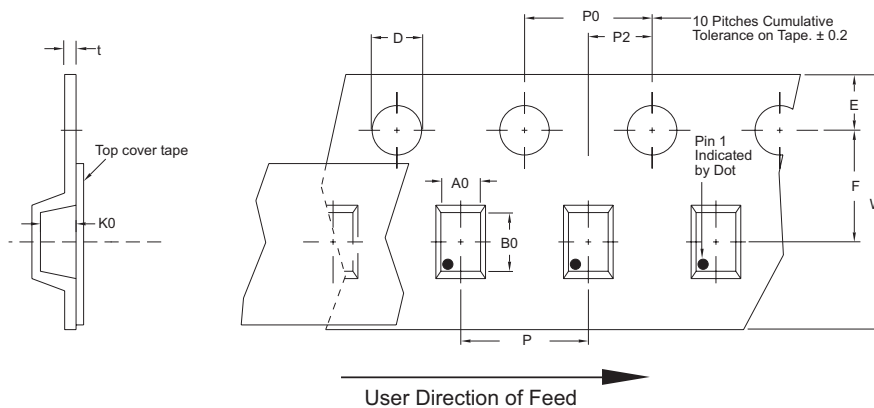
TAPE & REEL/BULK ORDERING NOMENCLATURE

- Surface mount product is taped and reeled in accordance with EIA-481.
- Suffix -T7 = 7 Inch Reel - 3,000 pieces per 8mm tape, i.e., SRV05-4-T7
- Suffix -P = Lead-Free, Nickel-Paladium-Gold Plating, i.e., SRV05-4-P-T7.

Outline & Dimensions: Rev 3 - 3/08, 06013

Tape & Reel Specifications (Dimensions in millimeters)

Reel Dia.	Tape Width	A0	B0	K0	D	E	F	W	P0	P2	P	tmax
178mm (7")	8mm	3.20 ± 0.10	3.20 ± 0.10	1.65 ± 0.10	1.50 ± 0.10	1.75 ± 0.10	3.50 ± 0.05	8.00 ± 0.30	4.00 ± 0.10	2.00 ± 0.05	4.00 ± 0.10	0.25



COPYRIGHT © ProTek Devices 2007

SPECIFICATIONS: ProTek reserves the right to change the electrical and or mechanical characteristics described herein without notice (except JEDEC).

DESIGN CHANGES: ProTek reserves the right to discontinue product lines without notice, and that the final judgement concerning selection and specifications is the buyer's and that in furnishing engineering and technical assistance, ProTek assumes no responsibility with respect to the selection or specifications of such products.

ProTek Devices
 2929 South Fair Lane, Tempe, AZ 85282
 Tel: 602-431-8101 Fax: 602-431-2288
 E-Mail: sales@protekdevices.com
 Web Site: www.protekdevices.com