



# OCTAL BUS EXCHANGE SWITCH

**IDT74FST3383**

## FEATURES:

- Bus switches provide zero delay paths
- Extended commercial range of  $-40^{\circ}\text{C}$  to  $+85^{\circ}\text{C}$
- Low switch on-resistance:  $5\Omega$
- TTL-compatible input and output levels
- ESD  $> 2000\text{V}$  per MIL-STD-883, Method 3015;  $> 200\text{V}$  using machine model ( $C = 200\text{pF}$ ,  $R = 0$ )
- Available in QSOP, TSSOP, SOIC, and PDIP Packages

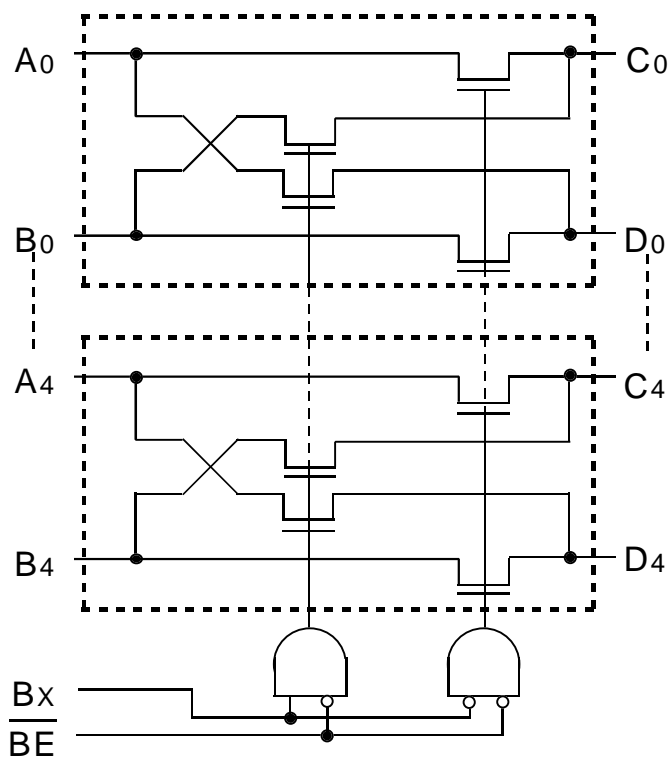
## DESCRIPTION:

The FST3383 belongs to IDT's family of Bus Switches. Bus switch devices perform the function of connecting or isolating two ports without providing any inherent current sink or source capability. Thus they generate little or no noise of their own while providing a low resistance path for an external driver. These devices connect input and output ports through an n-channel FET. When the gate-to-source junction of this FET is adequately forward-biased the device conducts and the resistance between input and output ports is small. Without adequate bias on the gate-to-source junction of the FET, the FET is turned off, therefore with no  $V_{CC}$  applied, the device has hot insertion capability.

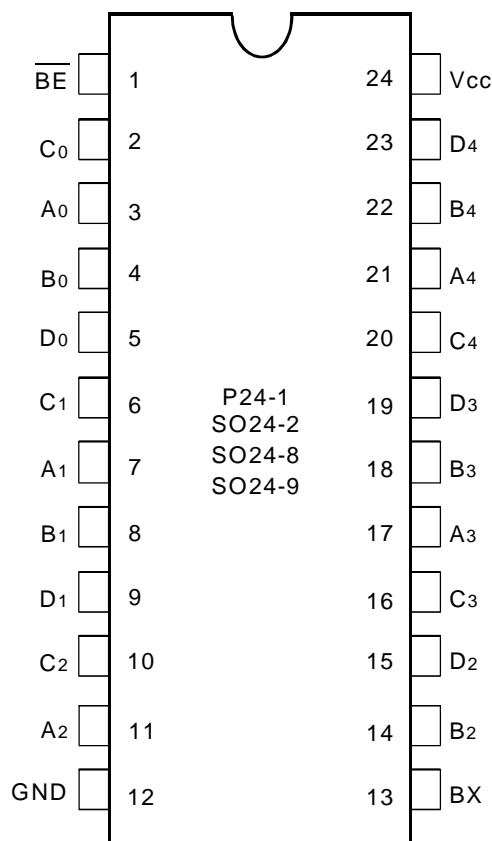
The low on-resistance and simplicity of the connection between input and output ports reduces the delay in this path to close to zero.

The FST3383 provides four 5-bit TTL-compatible ports that support 2 way bus exchange. The BX pin controls the bus exchange and the  $\overline{\text{BE}}$  pin serves as the enable pin.

## FUNCTIONAL BLOCK DIAGRAM



## PIN CONFIGURATION



PDIP/ SOIC/ QSOP/ TSSOP  
TOP VIEW

**COMMERCIAL TEMPERATURE RANGE**

**OCTOBER 1999**

### ABSOLUTE MAXIMUM RATINGS(1)

Symbol	Rating	Max.	Unit
VTERM(2)	Terminal Voltage with Respect to GND	-0.5 to +7	V
TSTG	Storage Temperature	-65 to +150	°C
IOUT	Maximum Continuous Channel Current	128	mA

FST LINK

**NOTES:**

1. Stresses greater than those listed under ABSOLUTE MAXIMUM RATINGS may cause permanent damage to the device. This is a stress rating only and functional operation of the device at these or any other conditions above those indicated in the operational sections of this specification is not implied. Exposure to absolute maximum rating conditions for extended periods may affect reliability.
2. Vcc, Control, and Switch terminals.

### CAPACITANCE (1)

Symbol	Parameter	Conditions(2)	Typ.	Unit
CIN	Control Input Capacitance		4	pF
C <sub>I/O</sub>	Switch Input/Output Capacitance	Switch Off		pF

**NOTES:**

1. Capacitance is characterized but not tested.
2. TA = 25°C, f = 1MHz, VIN = 0V, VOUT = 0V

### PIN DESCRIPTION

Pin Names	I/O	Description
A0-4, B0-4	I/O	Buses A, B
C0-4, D0-4	I/O	Buses C, D
$\overline{BE}$	I	Bus Switch Enable (Active LOW)
BX	I	Bus Exchange

### FUNCTION TABLE (1)

$\overline{BE}$	BX	A0-4	B0-4	Description
H	X	Hi-Z	Hi-Z	Disconnect
L	L	C0-4	D0-4	Connect
L	H	D0-4	C0-4	Exchange

**NOTE:**

1. H = HIGH Voltage level  
L = LOW Voltage Level  
X = Don't Care  
Z = High-Impedence

### DC ELECTRICAL CHARACTERISTICS OVER OPERATING RANGE

Following Conditions Apply Unless Otherwise Specified:

Operating Conditions: TA = -40°C to +85°C, Vcc = 5.0V ± 5%

Symbol	Parameter	Test Conditions(1)	Min.	Typ.(2)	Max.	Unit
V <sub>IH</sub>	Input HIGH Voltage	Guaranteed Logic HIGH for Control Inputs	2	—	—	V
V <sub>IL</sub>	Input LOW Voltage	Guaranteed Logic LOW for Control Inputs	—	—	0.8	V
I <sub>IH</sub>	Input HIGH Current	Vcc = Max. Vi = Vcc	—	—	±1	µA
I <sub>IL</sub>	Input LOW Current		Vi = GND	—	—	
I <sub>OZH</sub>	High Impedance Output Current (3-State Output pins)	Vcc = Max. Vo = Vcc	—	—	±1	µA
I <sub>OZL</sub>			Vo = GND	—	—	
I <sub>OS</sub>	Short Circuit Current	Vcc = Max., Vo = GND(3)	—	300	—	mA
V <sub>IK</sub>	Clamp Diode Voltage	Vcc = Min., IIN = -18mA	—	-0.7	-1.2	V
RON	Switch On Resistance(4)	Vcc = Min., VIN = 0.0V, I <sub>ON</sub> = 30mA	—	5	7	Ω
		Vcc = Min., VIN = 2.4V, I <sub>ON</sub> = 15mA	—	10	15	Ω
I <sub>OFF</sub>	Input/Output Power Off Leakage	Vcc = 0V, VIN or Vo ≤ 4.5V	—	—	±1	µA
I <sub>CC</sub>	Quiescent Power Supply Current	Vcc = Max., Vi = GND or Vcc	—	0.1	3	µA

FCT LINK

**NOTES:**

1. For conditions shown as Max. or Min., use appropriate value specified under Electrical Characteristics for the applicable device type.
2. Typical values are at Vcc = 5.0V, +25°C ambient.
3. Not more than one output should be tested at one time. Duration of the test should not exceed one second.
4. Measured by voltage drop between ports at indicated current through the switch.

## POWER SUPPLY CHARACTERISTICS

Symbol	Parameter	Test Conditions <sup>(1)</sup>		Min.	Typ. <sup>(2)</sup>	Max.	Unit
$\Delta I_{CC}$	Quiescent Power Supply Current TTL Inputs HIGH	$V_{CC} = \text{Max.}$ $V_{IN} = 3.4V^{(3)}$		—	0.5	1.5	mA
$I_{CCD}$	Dynamic Power Supply Current <sup>(4)</sup>	$V_{CC} = \text{Max.}$ Outputs Open Enable Pin Toggling 50% Duty Cycle	$V_{IN} = V_{CC}$ $V_{IN} = \text{GND}$	—	30	40	$\mu A/$ MHz/ Switch
$I_C$	Total Power Supply Current <sup>(6)</sup>	$V_{CC} = \text{Max.}$ Outputs Open Enable Pin Toggling (10 Switches Toggling) $f_i = 10\text{MHz}$ 50% Duty Cycle	$V_{IN} = V_{CC}$ $V_{IN} = \text{GND}$	—	3	4	mA
			$V_{IN} = 3.4$ $V_{IN} = \text{GND}$	—	3.3	4.8	

### NOTES:

- For conditions shown as Max. or Min., use appropriate value specified under Electrical Characteristics for the applicable device type.
- Typical values are at  $V_{CC} = 5.0V$ ,  $+25^\circ\text{C}$  ambient.
- Per TTL driven input ( $V_{IN} = 3.4V$ ). All other inputs at  $V_{CC}$  or  $\text{GND}$ .
- This parameter is not directly testable, but is derived for use in Total Power Supply Calculations.
- Values for these conditions are examples of the  $I_{CC}$  formula. These limits are guaranteed but not tested.
- $I_C = I_{QUIESCENT} + I_{INPUTS} + I_{DYNAMIC}$   
 $I_C = I_{CC} + \Delta I_{CC} D_H N_T + I_{CCD} (f_i N)$   
 $I_{CC} = \text{Quiescent Current}$   
 $\Delta I_{CC} = \text{Power Supply Current for a TTL High Input } (V_{IN} = 3.4V)$   
 $D_H = \text{Duty Cycle for TTL Inputs High}$   
 $N_T = \text{Number of TTL Inputs at } D_H$   
 $I_{CCD} = \text{Dynamic Current Caused by an Input Transition Pair (HLH or LHL)}$   
 $f_i = \text{Input Frequency}$   
 $N = \text{Number of Switches Toggling at } f_i$   
 All currents are in milliamps and all frequencies are in megahertz.

## SWITCHING CHARACTERISTICS OVER OPERATING RANGE

Following Conditions Apply Unless Otherwise Specified:

Operating Conditions:  $T_A = -40^\circ\text{C}$  to  $+85^\circ\text{C}$ ,  $V_{CC} = 5.0V \pm 5\%$

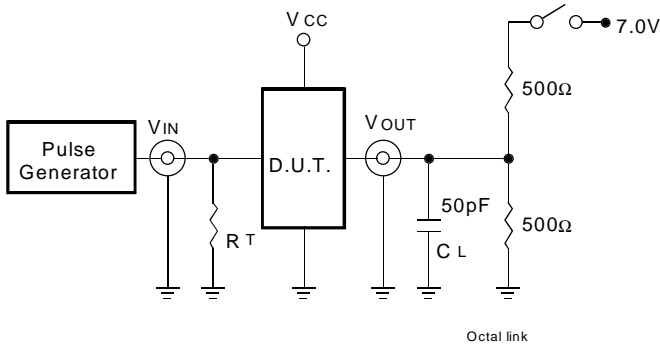
Symbol	Description	Condition <sup>(1)</sup>	Min. <sup>(2)</sup>	Typ.	Max.	Unit
$t_{PLH}$	Data Propagation Delay	$C_L = 50\text{pF}$ $R_L = 500\Omega$	—	—	0.25	ns
$t_{PHL}$	Ai to Ci, Di Bi to Ci, Dj <sup>(3,4)</sup>					
$t_{BX}$	Switch Multiplex Delay BX to Ai, Bi, Ci, Di		1.5	—	6.5	ns
$t_{PZH}$	Switch Turn on Delay		1.5	—	6.5	ns
$t_{PZL}$	BE to Ai, Bi, Ci, Di					
$t_{PHZ}$	Switch Turn off Delay		1.5	—	5.5	ns
$t_{PLZ}$	BE to Ai, Bi <sup>(3)</sup>					
$ Q_{CI} $	Charge Injection, Typical <sup>(5,7)</sup>	—	1.5	—	pC	
$ Q_{CDI} $	Charge Injection, Typical <sup>(6,7)</sup>	—	0.5	—		

### NOTES:

- See test circuit and waveforms.
- Minimum limits guaranteed but not tested.
- This parameter is guaranteed by design but not tested.
- The bus switch contributes no propagation delay other than the RC delay of the on resistance of the switch and the load capacitance. The time constant for the switch alone is of the order of 0.25 ns for 50 pF load. Since this time is constant and much smaller than the rise/fall times of typical driving signals, it adds very little propagation delay to the system. Propagation delay of the bus switch when used in a system is determined by the driving circuit on the driving side of the switch and its interaction with the load on the driven side.
- Measured at switch turn off, load = 50 pF in parallel with 10 M $\Omega$  scope probe,  $V_{IN} = 0.0$  volts.
- Measured at switch turn off through bus multiplexer, (e.g.- A to C => A to D), load = 50 pF in parallel with 10 M $\Omega$  scope probe,  $V_{IN}$  at A = 0.0 volts. Charge injection is reduced because the injection from the turn off of the A to C switch is compensated by the turn on of the B to C switch.
- Characterized parameter. Not 100% tested.

## TEST CIRCUITS AND WAVEFORMS

### TEST CIRCUITS FOR ALL OUTPUTS



### SWITCH POSITION

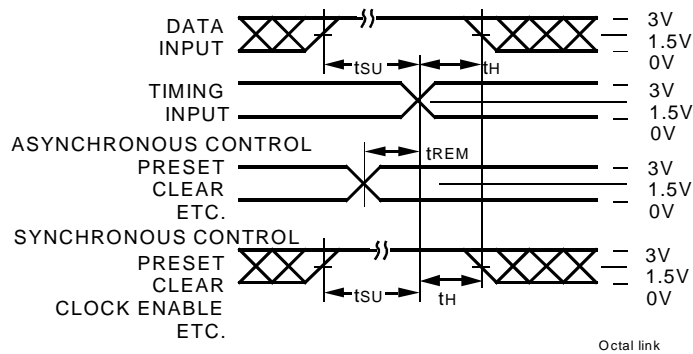
Test	Switch
Open Drain	Closed
Disable Low	
Enable Low	
All Other Tests	Open

FCT LINK

#### DEFINITIONS:

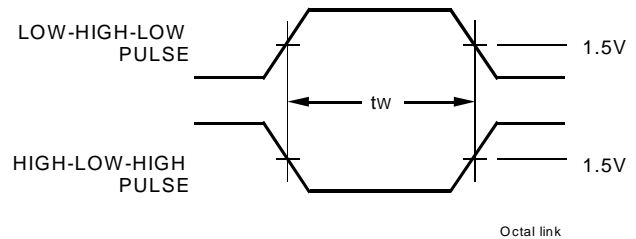
CL = Load capacitance: includes jig and probe capacitance.  
RT = Termination resistance: should be equal to ZOUT of the Pulse Generator.

### SET-UP, HOLD, AND RELEASE TIMES



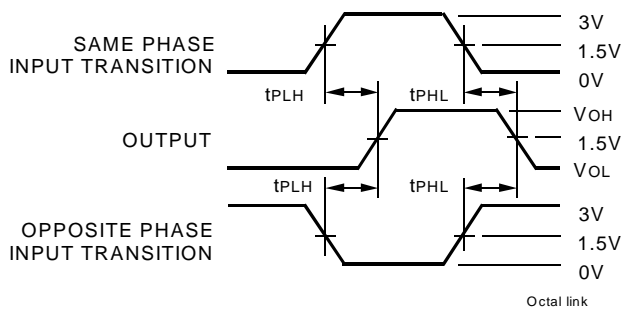
Octal link

### PULSE WIDTH



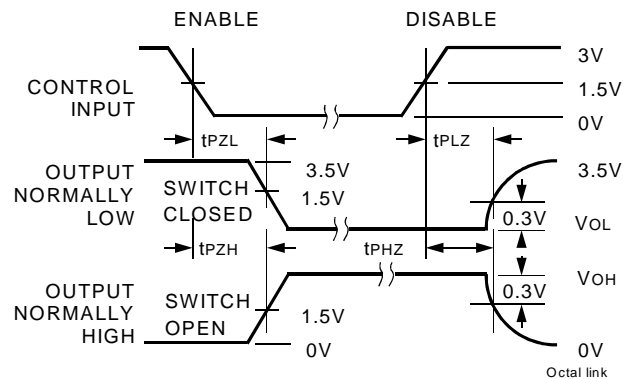
Octal link

### PROPAGATION DELAY



Octal link

### ENABLE AND DISABLE TIMES

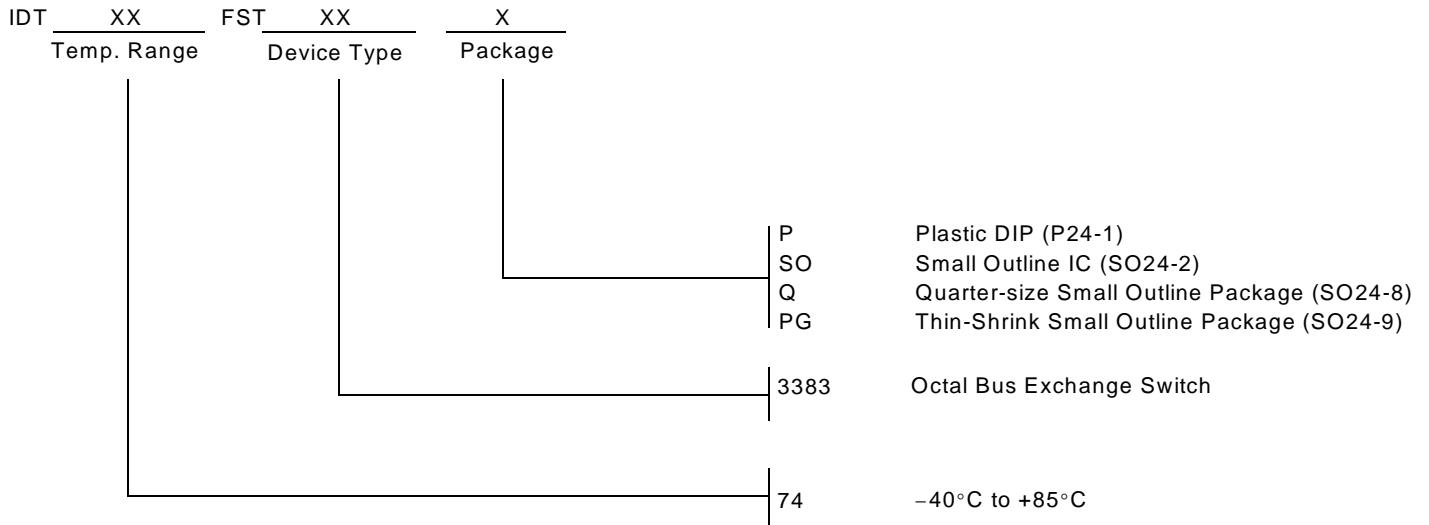


Octal link

#### NOTES:

- Diagram shown for input Control Enable-LOW and input Control Disable-HIGH
- Pulse Generator for All Pulses: Rate ≤ 1.0MHz; tr ≤ 2.5ns; tr ≤ 2.5ns

## ORDERING INFORMATION



**CORPORATE HEADQUARTERS**  
2975 Stender Way  
Santa Clara, CA 95054

**for SALES:**  
800-345-7015 or 408-727-6116  
fax: 408-492-8674  
www.idt.com\*

\*To search for sales office near you, please click the sales button found on our home page or dial the 800# above and press 2.  
The IDT logo is a registered trademark of Integrated Device Technology, Inc.