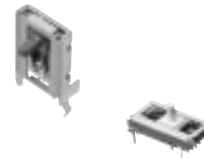


Linear Position Sensors (for reference only)

Type: **EVAW7**



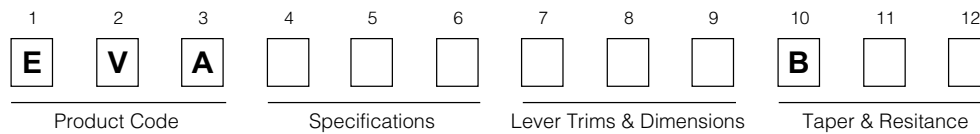
■ Features

- A wide variety of operation strokes
- Long life and high resolution

■ Recommended Applications

- Car headlight angle detection sensor

■ Explanation Part Numbers



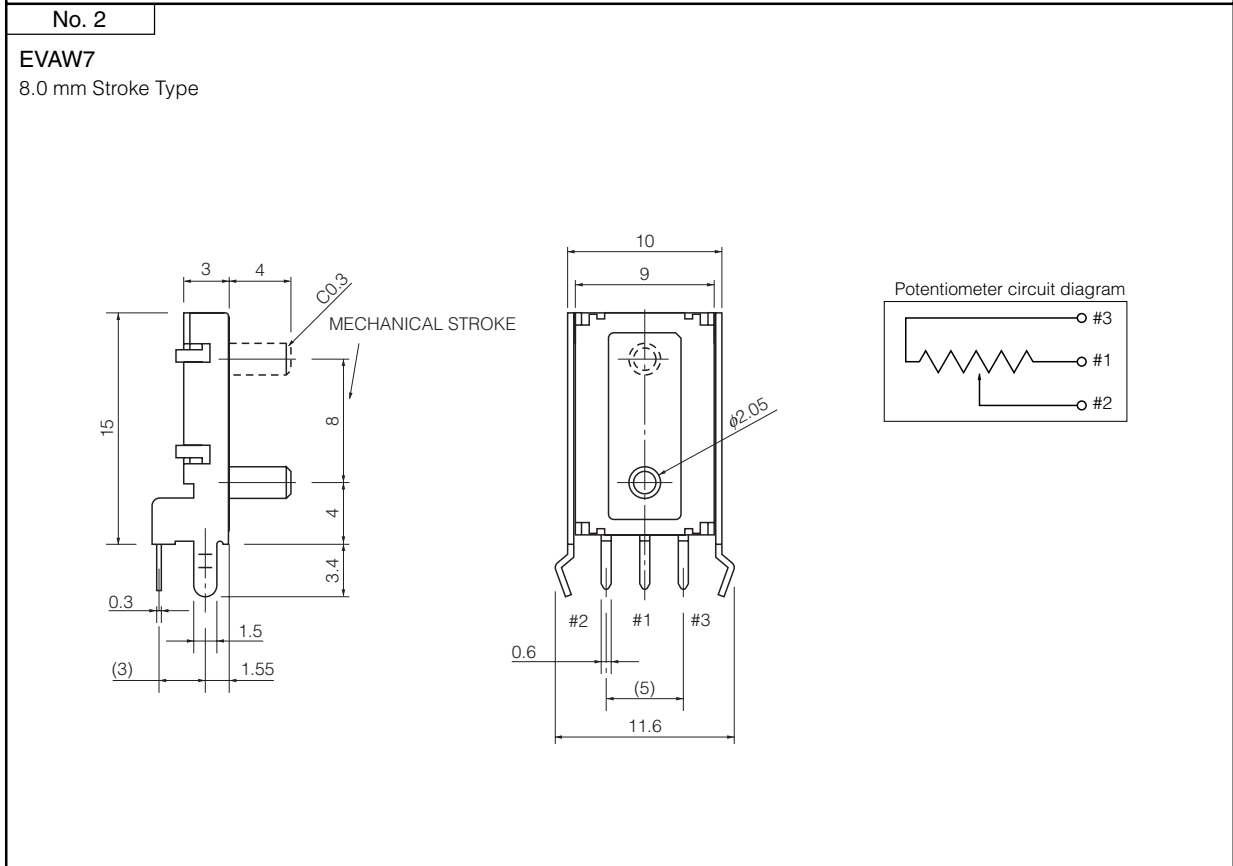
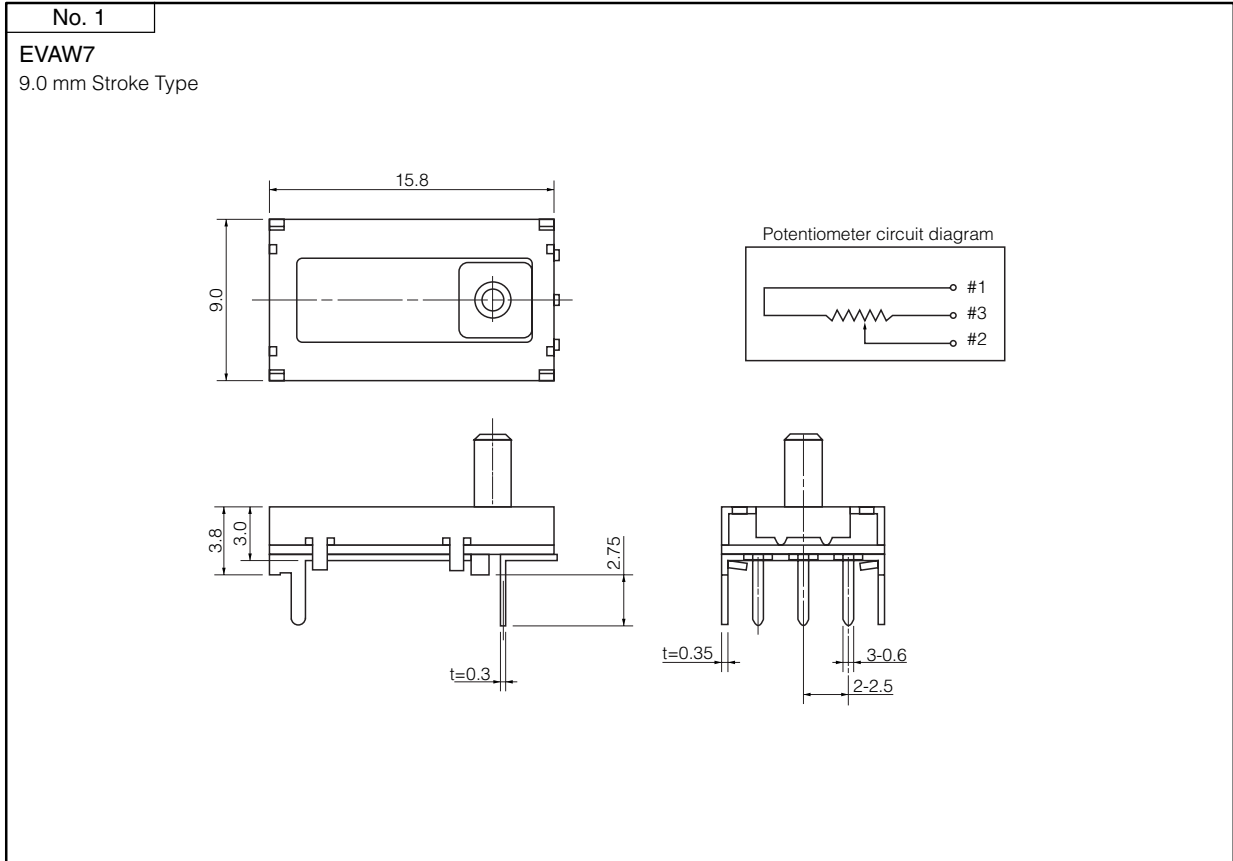
■ Specifications

| | | EVAW7 | |
|-------------------------------|------------------|----------------------|----------------------|
| Mechanical | Stroke | 9.0 mm±0.5 mm | 8.0 mm±0.5 mm |
| | Operating Force | 2 N max. | 1 N max. |
| Electrical | Linearity | ±2 % | ±1 % |
| | Total Resistance | 10 kΩ±30 % | 4.7 kΩ±30 % |
| | Voltage Rating | 5 Vdc max. | 12 Vdc max. |
| | Taper | B | |
| Endurance | Operating Life | 10000 cycles min. | 10000 cycles min. |
| Minimum Quantity/Packing Unit | | 300 pcs. (Tray Pack) | 200 pcs. (Tray Pack) |
| Quantity/Carton | | 3000 pcs. | 2000 pcs. |

Design and specifications are each subject to change without notice. Ask factory for the current technical specifications before purchase and/or use. Should a safety concern arise regarding this product, please be sure to contact us immediately.

00 Sep. 2010

■ Dimensions in mm (not to scale)



Design and specifications are each subject to change without notice. Ask factory for the current technical specifications before purchase and/or use. Should a safety concern arise regarding this product, please be sure to contact us immediately.

00 Sep. 2010