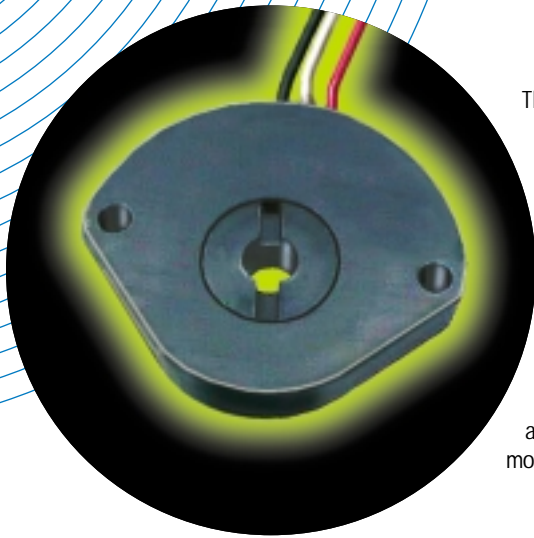


NEW

Thru-Shaft Position Sensor

Series TH100



The TH100 Series Thru-Shaft Position Sensor puts CLAROSTAT proven variable-resistor technology to work in angle-measurement applications such as control lever sensing and equipment positioning feedback. High performance and low cost make it attractive for a wide range of applications. A dual-contact version allows for two mechanically-tracking electrical sections, or true 360-degree quadrature voltage output. Almost any combination of resistance track and switch contact configuration (up to six signal wires) is possible.

Specify electrical output to suit application, even at low order volumes. Special mechanical stop and drive feature configurations are available for a modest tooling charge. Contact CLAROSTAT for more information.

Specifications

Housing Material	Flame-retardant (UL 94 V-0) glass-reinforced thermoplastic	Rotational Life	>1 million full cycles, >5 million dither cycles (2 degree stroke, 60 strokes/sec), result in <10% total resistance change.
Lead Wires	Up to six 20 AWG, SAE J-1560 Type TXL Stranded (7 x 28AWG). Red, Black, White are standard. Header connector option available.	Actuation Torque	6 oz-in (splash-sealed), 10 oz-in (immersion-sealed)
Resistance	Values available from 1K to 1M. Contact Clarostat for information	Vibration	15g @ 50 to 1000 Hz
Resistance Tolerance	+/-15% standard, to +/-2% special (laser trimmed)	Shock	50g half-sine
Linearity	+/- 5% standard, to +/- 1% special (laser trimmed)	Humidity	0-95% non-condensing
Temperature Coefficient	+/-500 ppm max.	Moisture Sealing	Fully Sealed unit withstands hose-directed water spray and immersion at limited depth. Splash-Sealed unit withstands dripping and light splashing of liquids.
Power Rating	1/2W max.	Dust Sealing	Sealed against dust
Switch Current Rating	125 mA max at 28 VDC	Storage & Operating Temperature	-40C to +120C
Stop Torque	5 in-lb min.	Working Voltage	350 VDC across resistance element, not to exceed power or current rating
Mechanical travel w/stops	Up to 330° (single contact), up to 150° (dual contact). Standard travel 90°, 106° and 313°. Other angles optional	Dielectric Withstanding Voltage	500 VAC RMS
Mechanical travel w/o stops	Continuous, or user can include stops in host drive mechanism.		
Rotor Drive Configuration	Standard 1/4" Thru-Shaft with 0.105" wide x 0.090" deep drive slot. Other drive features optional. Thru-Shaft 1/4" dia max.		

the **NEW**

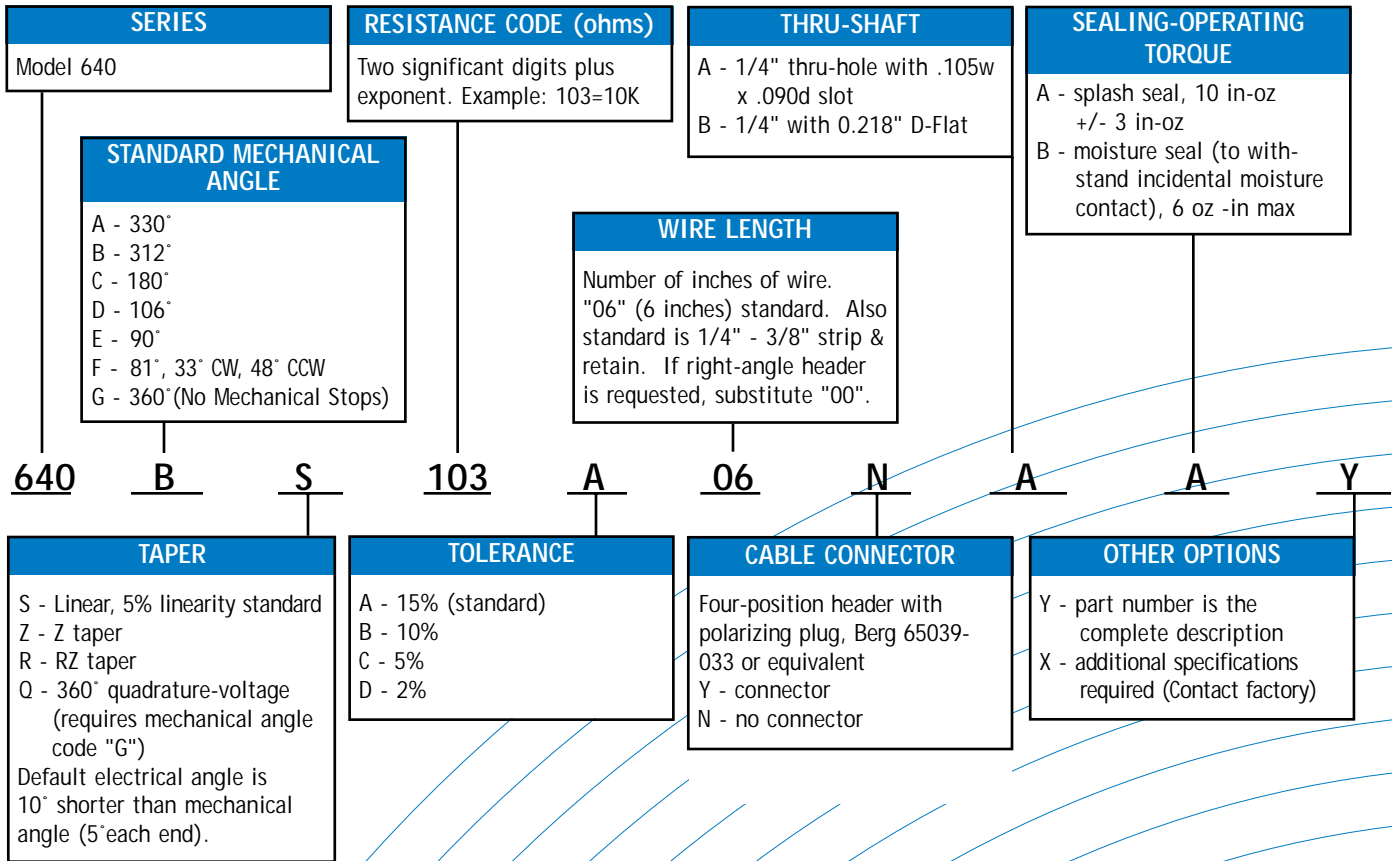
CLAROSTAT

Telephone: 800.874.1874 Fax: 800.223.5138

12055 Rojas Drive • Suite K • El Paso, Texas USA 79936 • www.clarostat.com

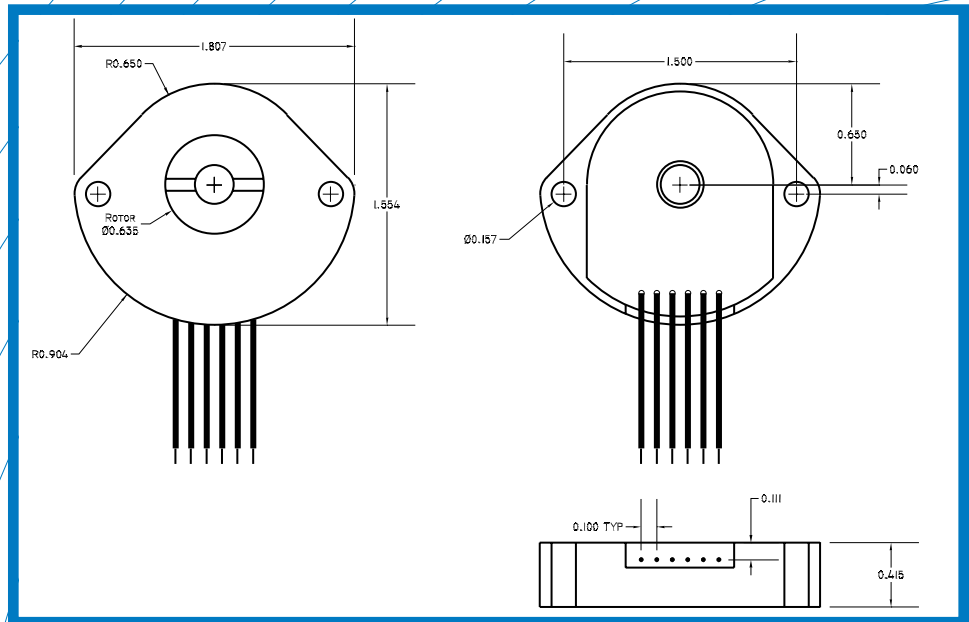
How to Order

When ordering, indicate the desired options as shown in this example:



Dimensions

Dimensions shown in inches



Ask about CLAROSTAT Value-Added options, including cables, connectors, switches, complete assemblies, custom sensing elements, proprietary design and manufacturing

Telephone: 800.874.1874 Fax: 800.223.5138

12055 Rojas Drive • Suite K • El Paso, Texas USA 79936 • www.clarostat.com

the **NEW**

