

# MCR-PT100-U

Order No.: 2810340

The illustration shows version MCR-PT100-I-DC



<http://eshop.phoenixcontact.de/phoenix/treeViewClick.do?UID=2810340>

MCR temperature transducer, for Pt 100 2, 3 or 4-wire system, input: 0...100°C, 0...150°C, 0...200°C, 0...300°C -50...+50°C, -50...100°C, -50...150°C, -50...250°C, output signal 0...10 V



Commercial data	
Note	Made-to-order
sales group	H511
Pack	1 pcs.
Customs tariff	85437090
Catalog page information	Page 372 (IF-2009)

**Product notes**

WEEE/RoHS-compliant since: 11/17/2006

<http://www.download.phoenixcontact.com>  
 Please note that the data given here has been taken from the online catalog. For comprehensive information and data, please refer to the user documentation. The General Terms and Conditions of Use apply to Internet downloads.

## Technical data

Input data	
Configurable/programmable	Yes
Sensor types (RTD) that can be used	Pt 100 (IEC 60751/EN 60751)
Sensor input current	Approx. 1 mA

Temperature measuring range	0 °C ... 300 °C (0 ... 100/150/200/300)
	-50 °C ... 250 °C (-50 ... 50/100/150/250)
Connection method	2, 3, 4-wire
Type of connection	Pluggable screw connection

**Output data**

Output name	Voltage output
Voltage output signal	0 V ... 10 V
Max. output voltage	15 V
Output voltage with wire break	> 11 V
Load/output load voltage output	≥ 10 kΩ

**Power supply**

Supply voltage range	20 V DC ... 30 V DC
Max. current consumption	20 mA

**Connection data**

Type of connection	Pluggable screw connection
Conductor cross section solid min.	0.2 mm <sup>2</sup>
Conductor cross section solid max.	2.5 mm <sup>2</sup>
Conductor cross section stranded min.	0.2 mm <sup>2</sup>
Conductor cross section stranded max.	2.5 mm <sup>2</sup>
Conductor cross section AWG/kcmil min.	24
Conductor cross section AWG/kcmil max	14
Stripping length	8 mm
Screw thread	M3

**General data**

No. of channels	1
Width	17.5 mm
Height	99 mm
Depth	114.5 mm
Maximum transmission error	≤ 0.4 % (of final value)
Maximum temperature coefficient	≤ 0.02 %/K
Limit frequency (3 dB)	30 Hz
Alignment zero	± 5 %
Alignment span	± 5 %

Step response (10-90%)	11 ms
Ambient temperature (operation)	-20 °C ... 65 °C
Degree of protection	IP20
Test voltage power supply/signal	750 V AC (50 Hz, 1 min.)
Color	green
Housing material	Polyamide PA non-reinforced
Mounting position	Any
Conformance	CE-compliant
UL, USA / Canada	UL 508 Recognized

### Certificates / Approvals



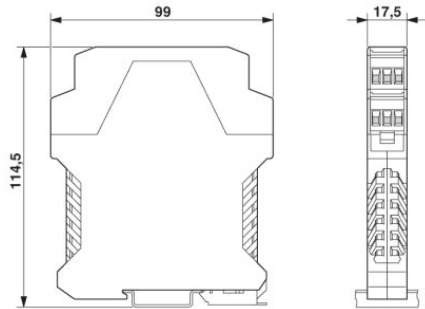
Certification CUL, GOST, UL

### Configuration options

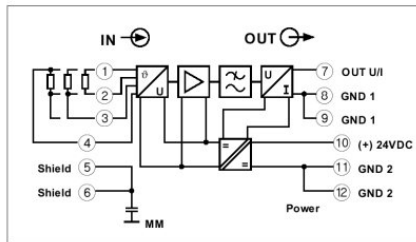
Connection systems	2-conductor [2] 3-conductor [3] 4-conductor [4]
Temperature range	-50...+50°C [TR01] -50...+100°C [TR02] -50...+150°C [TR03] -50...+250°C [TR04] 0...100°C [TR05] 0...150°C [TR06] 0...200°C [TR07] 0...300°C [TR08]
Plant calibration certificate	No plant calibration certific. [NONE] Certificate without test data [YES] Certificate with test data [YESPLUS]

## Diagrams/Drawings

### Dimensioned drawing



### Circuit diagram



**Address**

PHOENIX CONTACT Inc., USA  
586 Fulling Mill Road  
Middletown, PA 17057, USA  
Phone (800) 888-7388  
Fax (717) 944-1625  
<http://www.phoenixcon.com>



© 2010 Phoenix Contact  
Technical modifications reserved;