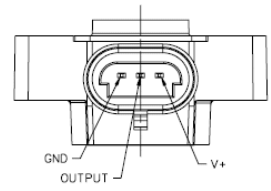
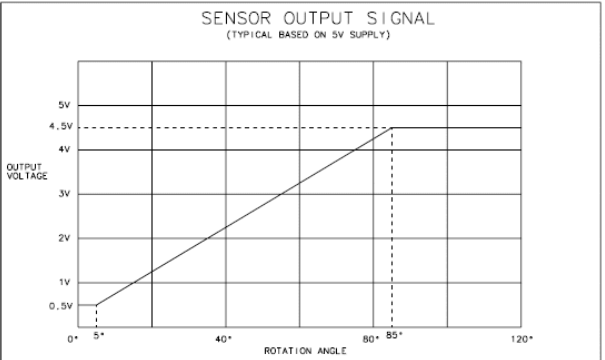
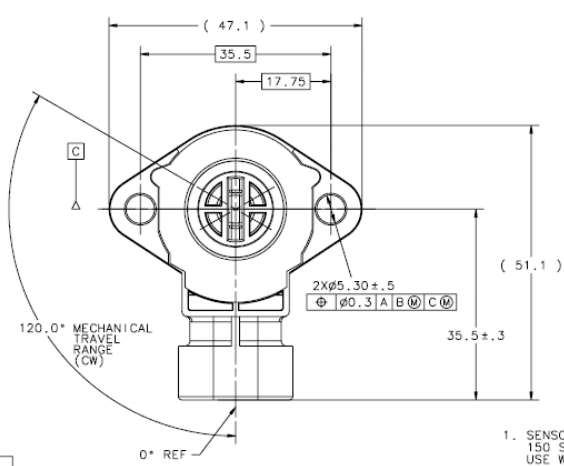
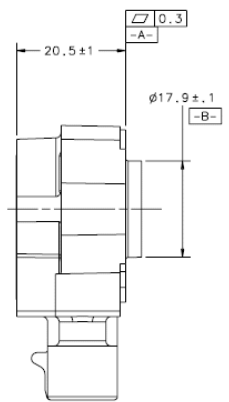
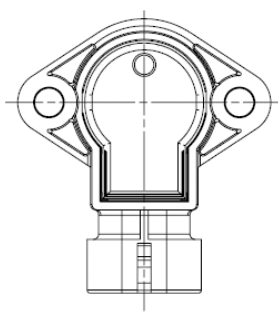
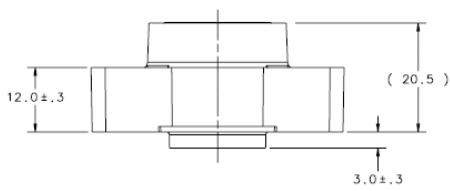


SLOT DETAIL



1. SENSOR MATES WITH PACKARD METRI-PACK 150 SERIES CONNECTOR P/N 12162185. USE WITH PACKARD TERMINALS P/N 12124075 OR PACKARD APPROVED EQUIVALENT.
2. SENSOR OPERATING RANGE SHALL BE A NOMINAL 80 DEGREES IN THE CLOCKWISE DIRECTION, VIEWED FROM THE SHAFT SIDE. SENSOR WILL OPERATE BETWEEN 5° CW FROM THE 0° REFERENCE TO 85° CW.
3. MECHANICAL STOPS WILL ALLOW THE SENSOR TO TRAVEL 120° CCW FROM THE 0° REF.
4. SPRING RETURN FORCE WILL BE BETWEEN 5 IN-OZ MIN. TO 20 IN-OZ MAX.
5. SENSOR MUST BE MARKED WITH A P/N AND PRODUCTION DATE CODE.
6. ALL SENSORS ARE 100% FUNCTIONALLY TESTED.

|                |  |  |  |                                                                                                                                                                                                                                                                                                     |  |  |  |                                                                |  |  |  |
|----------------|--|--|--|-----------------------------------------------------------------------------------------------------------------------------------------------------------------------------------------------------------------------------------------------------------------------------------------------------|--|--|--|----------------------------------------------------------------|--|--|--|
| SCALE: NTS     |  |  |  | THE CONFIDENTIAL AND PROPRIETARY INFORMATION CONTAINED IN THIS DOCUMENT IS OWNED BY GERRY ELECTRICAL PRODUCTS, A DIVISION OF THE GERRY CORPORATION WHICH MUST GIVE WRITTEN PERMISSION BEFORE THE DOCUMENT OR INFORMATION CAN BE COPIED, DISCLOSED OR USED IN ANY MANNER. TOLERANCE UNLESS SPECIFIED |  |  |  | GERRY ELECTRICAL PRODUCTS                                      |  |  |  |
| DWN: TKO       |  |  |  | DATE: 09-08-04                                                                                                                                                                                                                                                                                      |  |  |  | 11290 8800 AVE. PLEASANT PRARIE, WI 53158                      |  |  |  |
| CND: NK        |  |  |  | THIRD ANGLE PROJECTION                                                                                                                                                                                                                                                                              |  |  |  | DESCRIPTION: S P I N G W                                       |  |  |  |
| APVD: NK       |  |  |  | TOLERANCE UNLESS SPECIFIED                                                                                                                                                                                                                                                                          |  |  |  | 1 1/2 3/4 1/2 1/4 3/8 1/2 3/4 1 1 1/2 2 3 4 5 6 7 8 9 10 11 12 |  |  |  |
| REV. A         |  |  |  | MM 0.25 ± .13 32°                                                                                                                                                                                                                                                                                   |  |  |  | NAME: SENSOR SH. 1 OF 1                                        |  |  |  |
| REV. E         |  |  |  | LINE XX                                                                                                                                                                                                                                                                                             |  |  |  | DEPT XX                                                        |  |  |  |
| DATE: 03-21-07 |  |  |  | TKO HC                                                                                                                                                                                                                                                                                              |  |  |  | C AN102101                                                     |  |  |  |
| PREP: APVD     |  |  |  |                                                                                                                                                                                                                                                                                                     |  |  |  |                                                                |  |  |  |

ORIGINAL ON 1-DEAS