

LM9628 Color CMOS Image Sensor VGA 30 FPS

General Description

The LM9628 is a high performance, low power, 1/3" VGA CMOS Active Pixel Sensor capable of capturing color digital still or motion images and converting them to a digital data stream.

In addition to the active pixel array, an on-chip 12 bit A/D converter, fixed pattern noise elimination circuits, a video gain and separate color gain amplifier are provided. Furthermore, an integrated programmable smart timing and control circuit allows the user maximum flexibility in adjusting integration time, active window size, gain and frame rate. Various control, timing and power modes are also provided.

The excellent linear dynamic range of the sensor can be extended to above 100dB by programming a non linear response curve that matches the response of the human eye.

Features

- Video or snapshot operations
- Programmable pixel clock, inter-frame and inter-line delays.
- Programmable partial or full frame integration
- Programmable gain and individual color gain adjustment
- Horizontal & vertical sub-sampling (2:1 & 4:2)
- Programmable digital video response curve
- Windowing
- External snapshot trigger & event synchronisation signals
- Auto black level compensation
- Flexible digital video read-out supporting programmable:
 - polarity for synchronisation and pixel clock signals
 - leading edge adjustment for horizontal synchronization
- Programmable via 2 wire I²C compatible serial interface
- Power on reset & power down mode

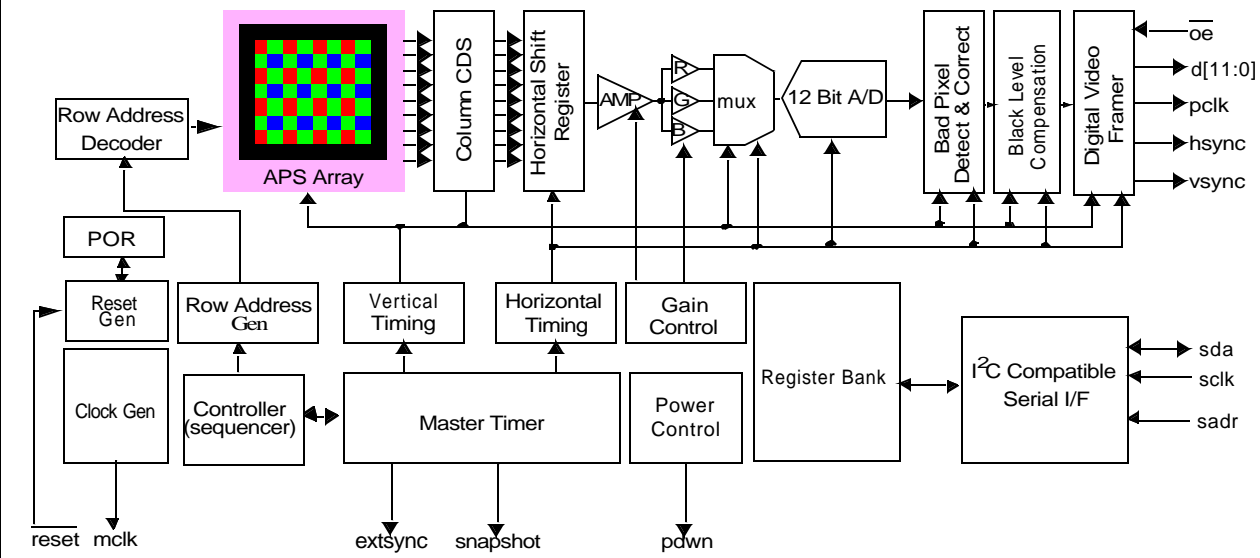
Applications

- Dual Mode Camera
- Digital Still Camera
- Security Cameras
- Machine Vision
- Automotive

Key Specifications

Array Format	Total: 664H x 504V Active: 648H x 488 V
Effective Image Area	Total: 4.98 mm x 3.78 mm Active: 4.86 mm x 3.66 mm
Optical Format	1/3"
Pixel Size	7.5µm x 7.5µm
Video Outputs	8, 10 & 12 Bit Digital
Frame Rate	30 frames per second
Dynamic Range	62dB in linear mode 110dB in non linear mode
Electronic Shutter	Rolling reset
FPN	0.1%
PRMU	1.5%
Sensitivity	2.7 V/lux.s
Quantum Efficiency	27%
Fill Factor	47%
Color Mosaic	Bayer pattern
Package	48 CLCC
Single Supply	3.3 V +/-10%
Power Consumption	120 mW
Operating Temp	-40 to 85°C

Overall Chip Block Diagram



Ordering Information (Product, Samples & Design In Tools)

Item	Description	Part Number
LM9628	LM9628, 30 frames per second color CMOS image sensor. This sensor is shipped in a 48 pin ceramic leadless chip carrier package. Minimum order quantity, one tray of 96 units.	LM9628IEA
Sample Kit	This kit includes 5 LM9628 samples and complete product datasheet.	LM9628SAMPLE-KIT
Headboard	This is a small PCB that houses the LM9628 sensor together with all necessary discrete components. The headboard is supplied with C-MOUNT lens block (lens not included) and documentation. M12 Lens mounts (not included) can be mounted on this board.	LM9628HEADBOARD
Evaluation Kit	The evaluation kit is a complete software/hardware solution designed to give the system designer a complete raw data evaluation toolset for the LM9628 sensor. The kit contains a LM9628 headboard (see above), C-MOUNT lens, capture and display board, power supply, SNAPS EVAL version Windows application software and documentation.	LM9628EVAL-KIT
1/3" Lens Kit	The 1/3" lens kit consists of four 1/3" M12 lenses and an M12 mount that can be attached to any LM9628 headboard (see above). All lenses in the kit have been tested by National Semiconductor and are supplied with documentation and test data.	LM96XXLENS-KIT

LIFE SUPPORT POLICY

NATIONAL'S PRODUCTS ARE NOT AUTHORIZED FOR USE AS CRITICAL COMPONENTS IN LIFE SUPPORT DEVICES OR SYSTEMS WITHOUT THE EXPRESS WRITTEN APPROVAL OF THE PRESIDENT AND GENERAL COUNSEL OF NATIONAL SEMICONDUCTOR CORPORATION. As used herein:

- Life support devices or systems are devices or systems which, (a) are intended for surgical implant into the body, or (b) support or sustain life, and whose failure to perform when properly used in accordance with instructions for use provided in the labeling, can be reasonably expected to result in a significant injury to the user.
- A critical component is any component of a life support device or system whose failure to perform can be reasonably expected to cause the failure of the life support device or system, or to affect its safety or effectiveness.



National Semiconductor Corporation
Americas
Tel: 1-800-272-9959
Fax: 1-800-737-7018
Email: support@nsc.com

www.national.com

National Semiconductor Europe

Fax: +49 (0) 1 80-530 85 86
Email: europe.support@nsc.com
Deutsch Tel: +49 (0) 69 9508 6208
English Tel: +44 (0) 870 24 0 2171
Francais Tel: +33 (0) 1 41 91 8790

National Semiconductor Asia Pacific Customer Response Group

Tel: 65-2544466
Fax: 65-2504466
Email: ap.support@nsc.com

National Semiconductor Japan Ltd.

Tel: 81-3-5639-7560
Fax: 81-3-5639-7507