

Honeywell

Interactive Catalog Replaces Catalog Pages

Honeywell Sensing and Control has replaced the PDF product catalog with the new **Interactive Catalog**. The **Interactive Catalog** is a power search tool that makes it easier to find product information. It includes more installation, application, and technical information than ever before.



**Click this icon to try the new
Interactive Catalog.**

Solid State Sensors

Digital Position Sensors

103SR Series



FEATURES

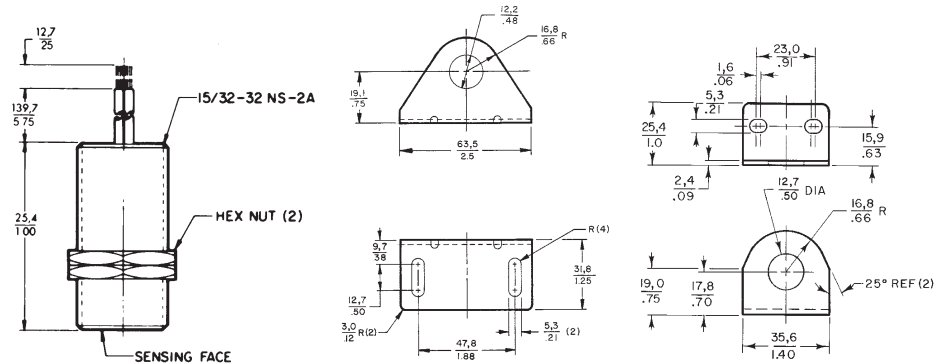
- Current sinking or current sourcing output
- Rugged, sealed threaded aluminum housing NEMA 3, 3R, 3S, 4, 12 and 13 requirements**
- 20 gauge, 6 inch stranded leadwires, color coded, or 1 meter jacketed cable
- Adjustable mounting

NOTE: For analog sensors, see page 24.

MOUNTING DIMENSIONS (For reference only)

1SR15 Mounting Bracket

1SR15HD Mounting Bracket



Leadwire color code:

- | | |
|--------------------------|------------|
| Red | Vs (+) |
| Black | Ground (-) |
| Blue, Green,
or White | Output |

103SR ORDER GUIDE

Catalog Listings*	103SR11A-1	103SR12A-1	103SR13A-1	103SR14A-1	103SR17A-1	103SR18-1	
Supply Voltage (VDC)	4.5 to 5.5	6 to 24	4.5 to 24	4.5 to 24	4.5 to 24	4.5 to 24	
Supply Current (mA max.)	4	10	10	10	10	10	
Output Type	Source	Source	Sink	Sink	Sink	Sink	
Output Voltage (V max.)	(Vs-1.5)	(Vs-1.5)	0.4	0.4	0.4	0.4	
Output Current (mA max.)	20	20	20	20	20	20	
Magnetics Type	Unipolar	Unipolar	Unipolar	Unipolar	Bipolar	Latching	
Magnetic Char. & Temp. 0 to 70°C	G	mT	G	mT	G	mT	
	Max. Op.	735 73.5	495 49.5	475 47.5	— —	180 18.0	90 9.0
	Min. Rel.	25 2.5	120 12.0	135 13.5	— —	-180 -18.0	-90 -9.0
-40 to 100°C	Min. Dif.	50 5.0	40 4.0	40 4.0	— —	40 4.0	40 4.0
	Max. Op.	— —	— —	495 49.5	160 16.0	205 20.5	120 12.0
	Min. Rel.	— —	— —	200 20.0	5 0.5	-205 -20.5	-120 -12.0
25°C Typ.	Min. Dif.	— —	— —	35 3.5	8 0.8	35 3.5	40 4.0
	Typ. Op.	350 35.0	350 35.0	400 40.0	90 9.0	50 5.0	50 5.0
	Typ. Rel.	215 21.5	245 24.5	250 25.0	45 4.5	-50 -5.0	-50 -5.0
	Typ. Dif.	135 13.5	85 8.5	85 8.5	45 4.5	100 10.0	80 8.0

* To order 1 meter jacketed leads, replace the 1 at the end of the catalog listing with a 2. Example 103SR13A-2.

** Stainless steel housing available for applications requiring compliance to NEMA 4X. Contact the 800 number.

G = Gauss
mT = milliTesla

Magnets page 25.

Unipolar: sensor has plus maximum operate point, plus minimum release point. One magnetic pole (South) is required to operate and release a unipolar sensor.

Bipolar sensor has plus (south pole) operate point and minus (north pole) minimum release point. Operate and release points can be both positive or both negative. **Latching cannot be guaranteed.** Ring magnets are usually used with bipolar sensors.

LEADWIRE TYPE

Type 1	22 gage stranded, teflon insulated
Type 2	22 gage PVC insulated conductor with black molded PVC jacket
Type 3	22 gage insulated conductors with yellow thermo-plastic polyurethane jacket
Type 4	24 gage irradiated polyethylene