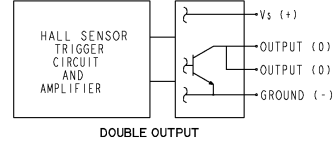
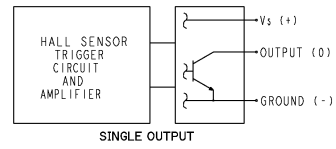
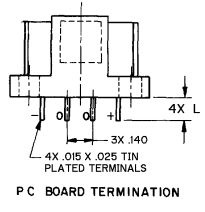
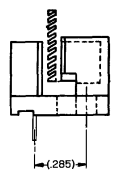
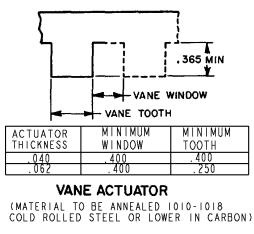
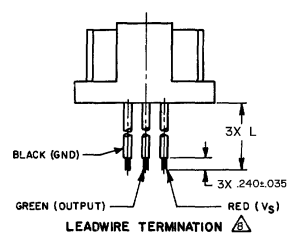
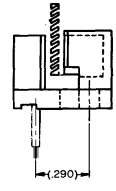
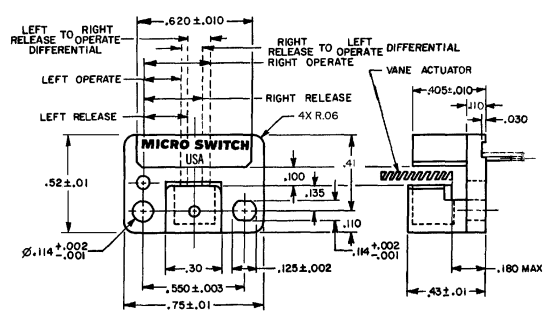


FORM 5
 4V SERIES CHART 4
 PAGE 1 OF 2
 DR-5009
 XIO2209-AV

M 4AV SERIES
 CHART 4



- NOTES**
- ⚠ ELECTRICAL CHARACTERISTICS SPECIFIED OVER VOLTAGE AND TEMPERATURE RANGE USING AN ACTUATOR .040 THICK WITH A .400 TOOTH AND WINDOW PASSING THROUGH THE CENTER OF THE AIR GAP
 - ⚠ THE OUTPUT CURRENT MAXIMUM IS TOTAL OF OUTPUT SINKING CURRENTS
 - ⚠ ABSOLUTE MAXIMUM RATINGS ARE THE EXTREME LIMITS THAT THE DEVICE WILL WITHSTAND WITHOUT DAMAGE. HOWEVER, THE ELECTRICAL AND MECHANICAL CHARACTERISTICS ARE NOT GUARANTEED ABOVE THE RECOMMENDED OPERATING CONDITIONS NOR WILL THE DEVICE NECESSARILY FUNCTION. RATINGS ARE TO BE CONSIDERED INDIVIDUALLY, NOT COMBINED
 - ⚠ MAXIMUM CHANGE IN VANE TRAVEL MECHANICAL CHARACTERISTICS SWITCHING POINT REFERENCING 25°C AND 12Vdc INITIAL CONDITION
 - 6 - PRODUCT PERFORMANCE EVALUATED PER TS 060 192
 - ⚠ WHEN HAND SOLDERING PRINTED CIRCUIT BOARD TERMINATIONS, USE A Ø.125 THERMISTATICALLY CONTROLLED TIP OF 550°F AND APPLY TO THE TERMINALS NO LONGER THAN 6 SECONDS
 - ⚠ LEADWIRES ARE 24 AWG WITH CROSSLINK POLYETHYLENE INSULATION OF Ø.060 MAX O.D.
 - ⚠ MOLEX TERMINAL 22-05-3041 LOCKING FEATURE ON T2 LISTINGS MATE WITH MOLEX HOUSING 2695/6471
 - ⚠ WILL MATE WITH AMP HOUSING NO.87499-B ON T1 LISTINGS ONLY
 - ⚠ AMP TERMINALS 103323-4
 - ⚠ LISTINGS 4AV20F-T1 AND 4AV20F-T2 HAVE A MAXIMUM TEMPERATURE RATING OF 85°C DUE TO TERMINAL BLOCK LIMITATIONS

MECHANICAL CHARACTERISTICS

SUPPLY VOLTAGE	OPERATING TEMPERATURE °C	LEFT		RIGHT		DIFFERENTIAL LEFT OP TO R REL RIGHT OP TO L REL
		OPERATE	RELEASE	OPERATE	RELEASE	
4.5 TO 24.0 (S)	25°C	±.006	±.006	±.006	±.006	±.010
12.0	25°C	.213±.025	.237±.025	.337±.025	.313±.025	.10 ±.01
4.5 TO 24.0 (S)	-40°C TO +85°C	±.024	±.018	±.024	±.018	
4.5 TO 24.0 (S)	-40°C TO +125°C	±.040	±.030	±.040	±.030	±.070

ELECTRICAL CHARACTERISTICS (OPERATING CONDITION)

SUPPLY VOLTAGE	Vcc	4.5 TO 26.5 Vdc
SUPPLY CURRENT "ON"	Icc	5 TO 18.5 mA
OUTPUT VOLTAGE "ON"	Vsat	0 TO 0.4 Vdc (SINKING 20 mA)
OUTPUT VOLTAGE "OFF"	Vsat	0 TO 0.5 Vdc (SINKING 40mA)
OUTPUT CURRENT "OFF"	Ileak	0 TO 10µA (PULLED UP TO 24 Vdc MAX)
OUTPUT SWITCHING RISE TIME	tr	0 TO 1.5µs (Vcc 12V, Rload 1K OHM, Cload 20pF MAX 25°C)
OUTPUT SWITCHING FALL TIME	tf	0 TO 1.0µs (Vcc 12V, Rload 1K OHM, Cload 20pF MAX 25°C)
REVERSE SUPPLY VOLTAGE CURRENT	Iccr	-2.5 TO 0 mA (-30 VOLT SUPPLY, 0 VOLT OUTPUT APPLIED)

ABSOLUTE MAXIMUM RATINGS

SUPPLY VOLTAGE	±30 VDC
VOLTAGE APPLIED TO OUTPUT	-0.5VDC TO +30VDC
OUTPUT CURRENT	±50mA
TEMPERATURE	-40°C TO +150°C
TRANSIENT SUPPLY CURRENT	±0.5 AMP 15µs MAX
TRANSIENT OUTPUT CURRENT	±0.5 AMP 15µs MAX

CATALOG LISTING	OUTPUT STYLE	TERMINAL STYLE	DIM. L
4AV16F	SINGLE	LEADWIRE	5.50±.25
4AV16F	SINGLE	LEADWIRE	7.45±.25
4AV17F	SINGLE	LEADWIRE	13.15±.50
4AV18F	SINGLE	LEADWIRE	18.15±.50
4AV19F	SINGLE	LEADWIRE	22.0±.5
4AV20F	DOUBLE	PCB	.140±.035
4AV20F-T1	AMP	TERMINAL	⚠
4AV20F-T2	MOLEX	TERMINAL	⚠

TRANSIENT CHARACTERISTICS (REFERENCE ISO 7637-1, 25°C)

INDUCTIVE LOAD OPENING	PULSE 1	DURATION <0.2ms	-110 VOLTS
INDUCTIVE LOAD OPENING	PULSE 1	DURATION <2ms	-100 VOLTS
SERIES CURRENT INTERRUPT	PULSE 2	DURATION <200ms	+150 VOLTS
LOAD DUMP	PULSE 5	DURATION <400ms	+120 VOLTS
FIELD DECAY	PULSE 36	DURATION <100ns	+200 VOLTS
NEGATIVE TRANSIENT	PULSE 39	DURATION <100ns	-200 VOLTS
RFI	1 MHz THROUGH 1000 MHz		> 40 V/M

THIRD ANGLE PROJECTION

SCALE: 3:1

DO NOT SCALE PRINT

UNLESS OTHERWISE SPECIFIED TOLERANCES ARE

ONE PLACE (0)	±.030
TWO PLACES (00)	±.015
THREE PLACES (000)	±.005
ANGLES	±

WEIGHT

THIS DRAWING COVERS A PROPRIETARY ITEM AND IS THE PROPERTY OF MICRO SWITCH, A DIVISION OF HONEYWELL. THIS DRAWING IS NOT TO BE COPIED OR USED WITHOUT THE APPROVAL OF MICRO SWITCH.

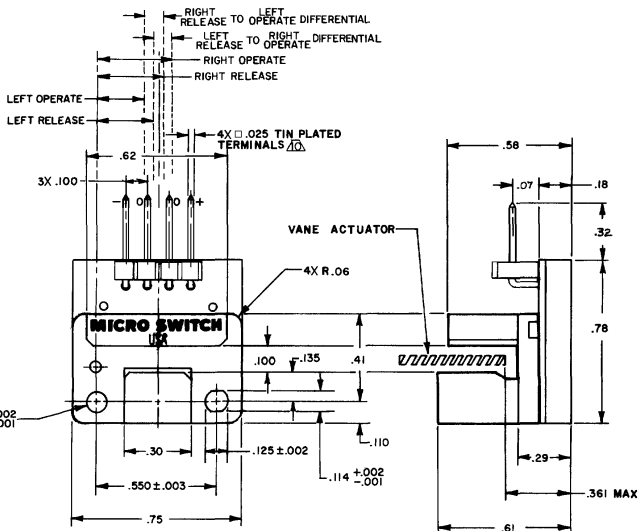
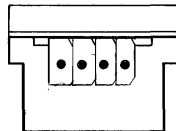
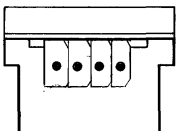
MICRO SWITCH
 a Honeywell Division

SOLID STATE VANE SWITCH

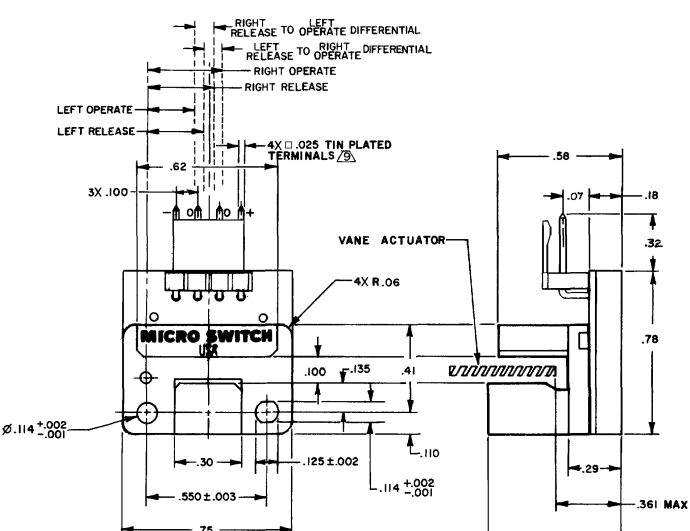
4AV SERIES CHART 4

ANSI Y14.5M 1982 APPLIES MASTER REDUCED

FIG. WFS 0006 91006



STYLE T1



STYLE T2

FORMTEK
 DRAWN
 JJA 11 MAY 98
 CHECKED
 JJA 11 MAY 98
 DATE
 10 FEB 99
 C 10909-A
 26 OCT 98
 2003789
 307 MM
 185-2184
 5
 4AV SERIES CHART 4
 PAGE 2 OF 2
 DR-5009
 X102209-AV

ANSI Y14.5M 1982 APPLIES
 MASTER REDUCED

THIS DRAWING COVERS A PROPRIETARY ITEM AND IS THE PROPERTY OF MICRO SWITCH, A DIVISION OF HONEYWELL. THIS DRAWING IS NOT TO BE COPIED OR USED WITHOUT THE APPROVAL OF MICRO SWITCH.

MICRO SWITCH
 a Honeywell Division

CATALOG LISTING
SOLID STATE VANE SWITCH

4AV SERIES
CHART 4

THIRD ANGLE PROJECTION	
SCALE	3:1
DO NOT SCALE PRINT	
UNLESS OTHERWISE SPECIFIED TOLERANCES ARE	
ONE PLACE	(.01) ±.030
TWO PLACES	(.001) ±.015
THREE PLACES	(.000) ±.005
ANGLES	±
WEIGHT	