



**USE ULTRA37000™ FOR  
ALL NEW DESIGNS**

**PALCE20V8**

## Flash-Erasable Reprogrammable CMOS PAL® Device

### Features

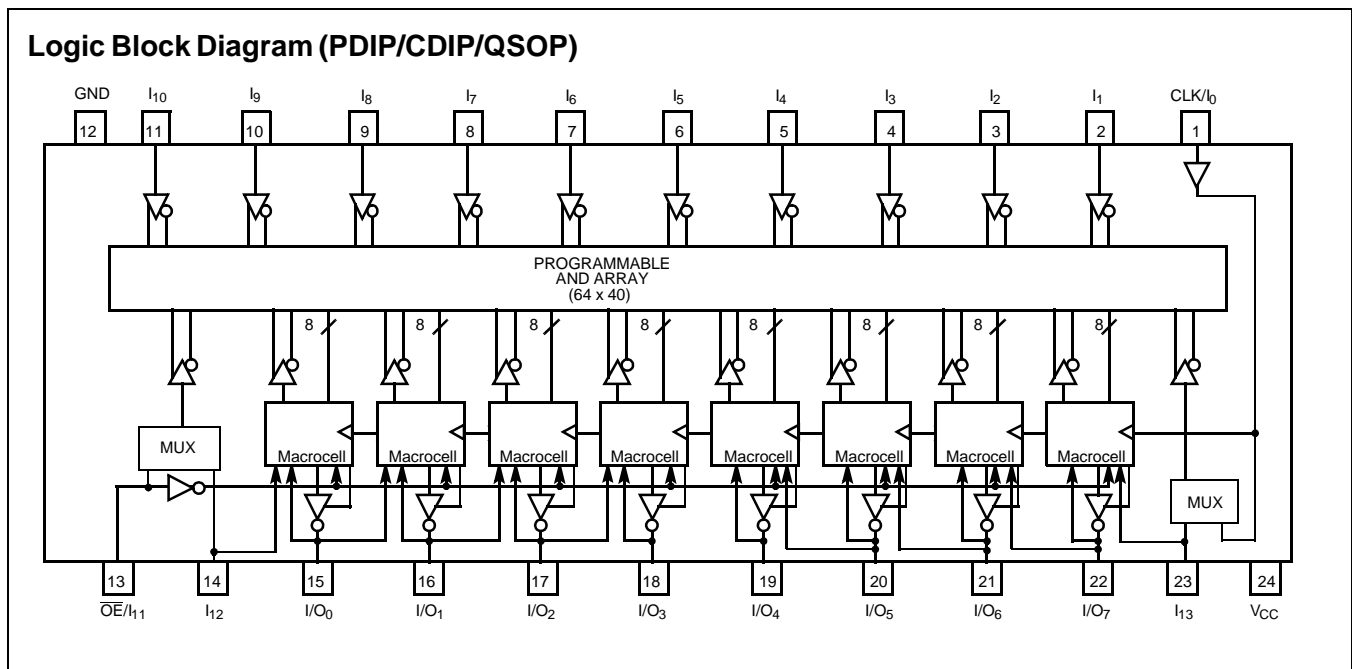
- Active pull-up on data input pins
- Low power version (20V8L)
  - 55 mA max. commercial (15, 25 ns)
  - 65 mA max. military/industrial (15, 25 ns)
- Standard version has low power
  - 90 mA max. commercial (15, 25 ns)
  - 115 mA max. commercial (10 ns)
  - 130 mA max. military/industrial (15, 25 ns)
- CMOS Flash technology for electrical erasability and reprogrammability
- User-programmable macrocell
  - Output polarity control
  - Individually selectable for registered or combinatorial operation

- QSOP package available
  - 10, 15, and 25 ns com'l version
  - 15, and 25 ns military/industrial versions
- High reliability
  - Proven Flash technology
  - 100% programming and functional testing

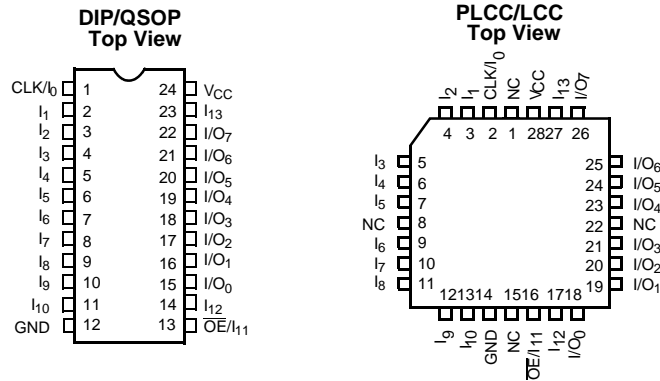
### Functional Description

The Cypress PALCE20V8 is a CMOS Flash Erasable second-generation programmable array logic device. It is implemented with the familiar sum-of-product (AND-OR) logic structure and the programmable macrocell.

The PALCE20V8 is executed in a 24-pin 300-mil molded DIP, a 300-mil cerdip, a 28-lead square ceramic leadless chip carrier, a 28-lead square plastic leaded chip carrier, and a 24-lead quarter size outline. The device provides up to 20 inputs and 8 outputs. The PALCE20V8 can be electrically erased and reprogrammed. The programmable macrocell enables the device to function as a superset to the familiar 24-pin PLDs such as 20L8, 20R8, 20R6, 20R4.



### Pin Configuration



### Selection Guide

Generic Part Number	t <sub>PD</sub> ns		t <sub>S</sub> ns		t <sub>CO</sub> ns		I <sub>CC</sub> mA	
	Com'I/Ind	Mil	Com'I/Ind	Mil	Com'I/Ind	Mil	Com'I	Mil/Ind
PALCE20V8-5	5		3		4		115	
PALCE20V8-7	7.5		7		5		115	
PALCE20V8-10	10	10	10	10	7	10	115	130
PALCE20V8-15	15	15	12	12	10	12	90	130
PALCE20V8-25	25	25	15	20	12	20	90	130
PALCE20V8L-15	15	15	12	12	10	12	55	65
PALCE20V8L-25	25	25	15	20	12	20	55	65

Shaded areas contain preliminary information.

### Functional Description

The PALCE20V8 features 8 product terms per output and 40 input terms into the AND array. The first product term in a macrocell can be used either as an internal output enable control or as a data product term.

There are a total of 18 architecture bits in the PALCE20V8 macrocell; two are global bits that apply to all macrocells and 16 that apply locally, two bits per macrocell. The architecture bits determine whether the macrocell functions as a register or combinatorial with inverting or noninverting output. The output enable control can come from an external pin or internally from a product term. The output can also be permanently enabled, functioning as a dedicated output or permanently disabled, functioning as a dedicated input. Feedback paths are selectable from either the input/output pin associated with the macrocell, the input/output pin associated with an adjacent pin, or from the macrocell register itself.

### Power-Up Reset

All registers in the PALCE20V8 power-up to a logic LOW for predictable system initialization. For each register, the associated output pin will be HIGH due to active-LOW outputs.

### Electronic Signature

An electronic signature word is provided in the PALCE20V8 that consists of 64 bits of programmable memory that can contain user-defined data.

### Security Bit

A security bit is provided that defeats the readback of the internal programmed pattern when the bit is programmed.

### Low Power

The Cypress PALCE20V8 provides low-power operation through the use of CMOS technology, and increased testability with Flash reprogrammability.

### Product Term Disable

Product Term Disable (PTD) fuses are included for each product term. The PTD fuses allow each product term to be individually disabled.

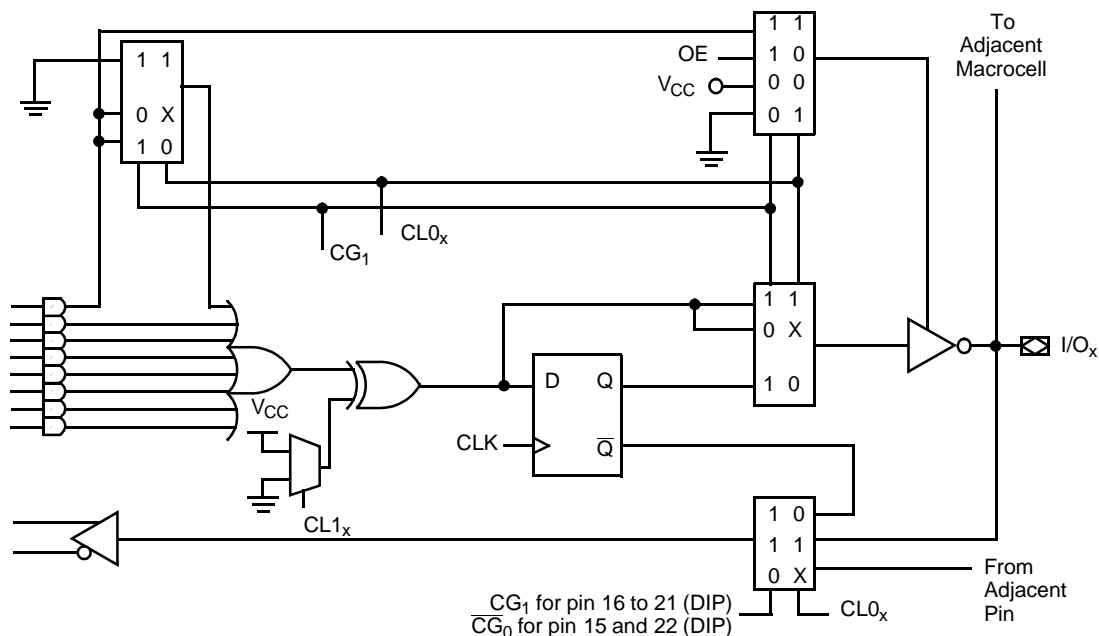
### Input and I/O Pin Pull-Ups

The PALCE20V8 input and I/O pins have built-in active pull-ups that will float unused inputs and I/Os to an active HIGH state (logical 1). All unused inputs and three-stated I/O pins should be connected to another active input,  $V_{CC}$ , or Ground to improve noise immunity and reduce  $I_{CC}$ .

### Configuration Table

$CG_0$	$CG_1$	$CL0_x$	Cell Configuration	Devices Emulated
0	1	0	Registered Output	Registered Med PALs
0	1	1	Combinatorial I/O	Registered Med PALs
1	0	0	Combinatorial Output	Small PALs
1	0	1	Input	Small PALs
1	1	1	Combinatorial I/O	20L8 only

### Macrocell





**USE ULTRA37000™ FOR  
ALL NEW DESIGNS**

**PALCE20V8**

**Maximum Ratings**

(Above which the useful life may be impaired. For user guidelines, not tested.)

- Storage Temperature ..... -65°C to +150°C
- Ambient Temperature with Power Applied..... -55°C to +125°C
- Supply Voltage to Ground Potential (Pin 24 to Pin 12)..... -0.5V to +7.0V
- DC Voltage Applied to Outputs in High-Z State ..... -0.5V to +7.0V

- DC Input Voltage ..... -0.5V to +7.0V
- Output Current into Outputs (LOW)..... 24 mA
- DC Programming Voltage..... 12.5V
- Latch-up Current..... >200 mA

**Operating Range<sup>[1]</sup>**

Range	Ambient Temperature	V <sub>CC</sub>
Commercial	0°C to +75°C	5V ±5%
Industrial	-40°C to +85°C	5V ±10%
Military <sup>[2]</sup>	-55°C to +125°C	5V ±10%

**Electrical Characteristics Over the Operating Range<sup>[3]</sup>**

Parameter	Description	Test Conditions			Min.	Max.	Unit
V <sub>OH</sub>	Output HIGH Voltage	V <sub>CC</sub> = Min., V <sub>IN</sub> = V <sub>IH</sub> or V <sub>IL</sub>	I <sub>OH</sub> = -3.2 mA	Com'l	2.4		V
			I <sub>OH</sub> = -2 mA	Mil/Ind			
V <sub>OL</sub>	Output LOW Voltage	V <sub>CC</sub> = Min., V <sub>IN</sub> = V <sub>IH</sub> or V <sub>IL</sub>	I <sub>OL</sub> = 24 mA	Com'l		0.5	V
			I <sub>OL</sub> = 12 mA	Mil/Ind			
V <sub>IH</sub>	Input HIGH Level	Guaranteed Input Logical HIGH Voltage for All Inputs <sup>[4]</sup>			2.0		V
V <sub>IL</sub> <sup>[5]</sup>	Input LOW Level	Guaranteed Input Logical LOW Voltage for All Inputs <sup>[4]</sup>			-0.5	0.8	V
I <sub>IH</sub>	Input or I/O HIGH Leakage Current	3.5V ≤ V <sub>IN</sub> ≤ V <sub>CC</sub>				10	μA
I <sub>IL</sub> <sup>[6]</sup>	Input or I/O LOW Leakage Current	0V ≤ V <sub>IN</sub> ≤ V <sub>IN</sub> (Max.)				-100	μA
I <sub>SC</sub>	Output Short Circuit Current	V <sub>CC</sub> = Max., V <sub>OUT</sub> = 0.5V <sup>[7,8]</sup>			-30	-150	mA
I <sub>CC</sub>	Operating Power Supply Current	V <sub>CC</sub> = Max., V <sub>IL</sub> = 0V, V <sub>IH</sub> = 3V, Output Open, f = 15 MHz (counter)	5, 7, 10 ns	Com'l		115	mA
			15, 25 ns			90	mA
			15L, 25L ns			55	mA
			10, 15, 25 ns	Mil/Ind		130	mA
			15L, 25L ns	Mil/Ind		65	mA

**Capacitance<sup>[8]</sup>**

Parameter	Description	Test Conditions	Typ.	Unit
C <sub>IN</sub>	Input Capacitance	V <sub>IN</sub> = 2.0V @ f = 1 MHz	5	pF
C <sub>OUT</sub>	Output Capacitance	V <sub>OUT</sub> = 2.0V @ f = 1 MHz	5	pF

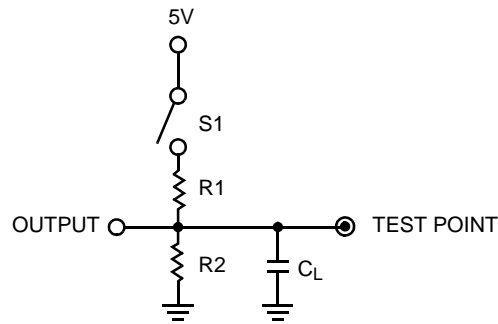
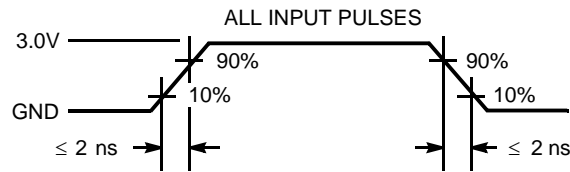
**Endurance Characteristics<sup>[8]</sup>**

Parameter	Description	Test Conditions	Min.	Max.	Unit
N	Minimum Reprogramming Cycles	Normal Programming Conditions	100		Cycles

**Notes:**

1. The Voltage on any input or I/O pin cannot exceed the power pin during power-up.
2. T<sub>A</sub> is the "instant on" case temperature.
3. See the last page of this specification for Group A subgroup testing information.
4. These are absolute values with respect to device ground. All overshoots due to system or tester noise are included.
5. V<sub>IL</sub> (Min.) is equal to -3.0V for pulse durations less than 20 ns.
6. The leakage current is due to the internal pull-up resistor on all pins.
7. Not more than one output should be tested at a time. Duration of the short circuit should not be more than one second. V<sub>OUT</sub> = 0.5V has been chosen to avoid test problems caused by tester ground degradation.
8. Tested initially and after any design or process changes that may affect these parameters.

### AC Test Loads and Waveforms



Specification	S <sub>1</sub>	C <sub>L</sub>	Commercial		Military		Measured Output Value
			R <sub>1</sub>	R <sub>2</sub>	R <sub>1</sub>	R <sub>2</sub>	
t <sub>PD</sub> , t <sub>CO</sub>	Closed	50 pF	200Ω	390Ω	390Ω	750Ω	1.5V
t <sub>PZX</sub> , t <sub>EA</sub>	Z   H: Open Z   L: Closed						1.5V
t <sub>PXZ</sub> , t <sub>ER</sub>	H   Z: Open L   Z: Closed	5 pF					H   Z: V <sub>OH</sub> - 0.5V L   Z: V <sub>OL</sub> + 0.5V

### Commercial and Industrial Switching Characteristics <sup>[3]</sup>

Parameter	Description	20V8-5		20V8-7		20V8-10		20V8-15		20V8-25		Unit
		Min.	Max.	Min.	Max.	Min.	Max.	Min.	Max.	Min.	Max.	
t <sub>PD</sub>	Input to Output Propagation Delay <sup>[9]</sup>	1	5	1	7.5	1	10	1	15	1	25	ns
t <sub>PZX</sub>	OE to Output Enable		5		6		10		15		20	ns
t <sub>PXZ</sub>	OE to Output Disable		5		6		10		15		20	ns
t <sub>EA</sub>	Input to Output Enable Delay <sup>[8]</sup>		6		9		10		15		25	ns
t <sub>ER</sub>	Input to Output Disable Delay <sup>[8,10]</sup>		6		9		10		15		25	ns
t <sub>CO</sub>	Clock to Output Delay <sup>[9]</sup>	1	4	1	5	1	7	1	10	1	12	ns
t <sub>S</sub>	Input or Feedback Set-up Time	3		7		10		12		15		ns
t <sub>H</sub>	Input Hold Time	0		0		0		0		0		ns
t <sub>P</sub>	External Clock Period (t <sub>CO</sub> + t <sub>S</sub> )	7		12		17		22		27		ns

Shaded areas contain preliminary information.

**Notes:**

9. Min. times are tested initially and after any design or process changes that may affect these parameters.
10. This parameter is measured as the time after OE pin or internal disable input disables or enables the output pin. This delay is measured to the point at which a previous HIGH level has fallen to 0.5 volts below V<sub>OH</sub> min. or a previous LOW level has risen to 0.5 volts above V<sub>OL</sub> max.
11. This specification indicates the guaranteed maximum frequency at which a state machine configuration with external feedback can operate.
12. This specification indicates the guaranteed maximum frequency at which the device can operate in data path mode.
13. This specification indicates the guaranteed maximum frequency at which a state machine configuration with internal only feedback can operate.
14. This parameter is calculated from the clock period at f<sub>MAX</sub> internal (1/f<sub>MAX3</sub>) as measured (see Note 7 above) minus t<sub>S</sub>.

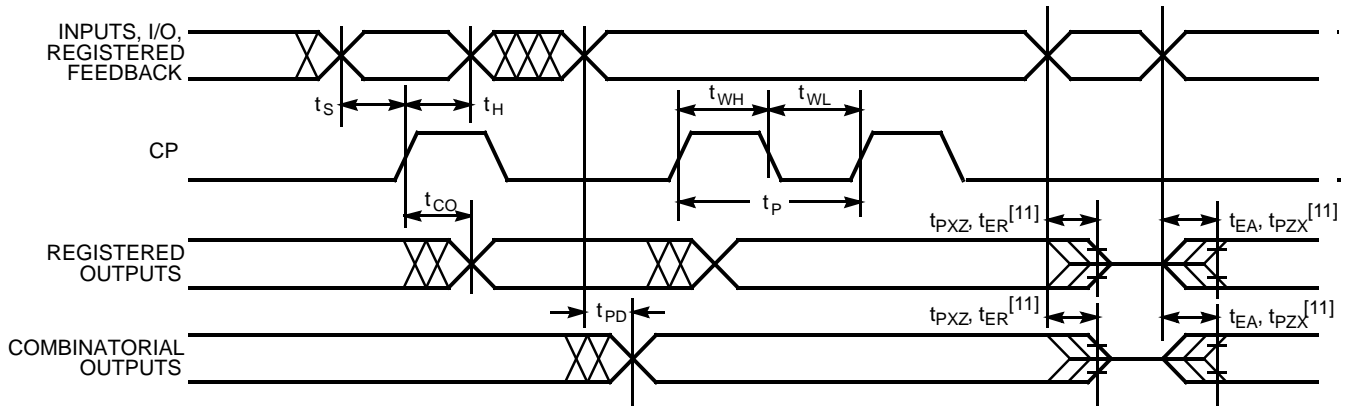
**Commercial and Industrial Switching Characteristics** (continued)<sup>[3]</sup>

Parameter	Description	20V8-5		20V8-7		20V8-10		20V8-15		20V8-25		Unit
		Min.	Max.	Min.	Max.	Min.	Max.	Min.	Max.	Min.	Max.	
t <sub>WH</sub>	Clock Width HIGH <sup>[8]</sup>	3		5		8		8		12		ns
t <sub>WL</sub>	Clock Width LOW <sup>[8]</sup>	3		5		8		8		12		ns
f <sub>MAX1</sub>	External Maximum Frequency (1/(t <sub>CO</sub> + t <sub>S</sub> )) <sup>[8,11]</sup>	143		83		58		45.5		37		MHz
f <sub>MAX2</sub>	Data Path Maximum Frequency (1/(t <sub>WH</sub> + t <sub>WL</sub> )) <sup>[8, 12]</sup>	166.6		100		62.5		62.5		41.6		MHz
f <sub>MAX3</sub>	Internal Feedback Maximum Frequency (1/(t <sub>CF</sub> + t <sub>S</sub> )) <sup>[8,13]</sup>	166.6		100		62.5		50		40		MHz
t <sub>CF</sub>	Register Clock to Feedback Input <sup>[8, 14]</sup>		3		3		6		8		10	ns
t <sub>PR</sub>	Power-Up Reset Time <sup>[8]</sup>	1		1		1		1		1		μs

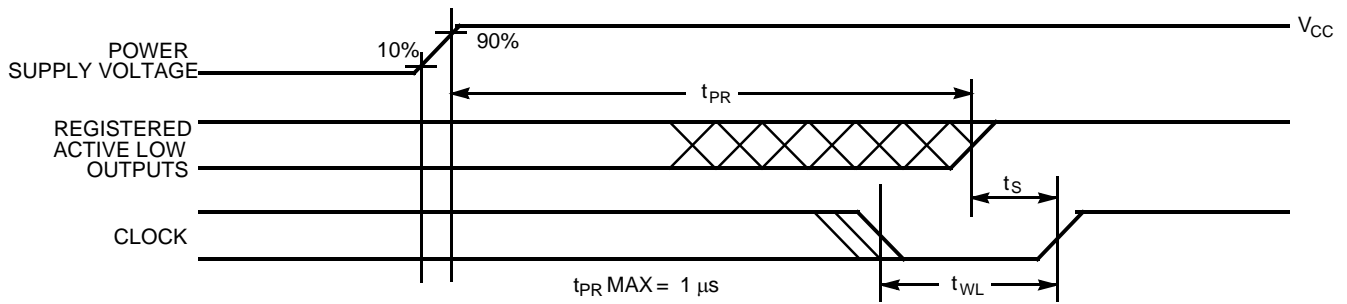
**Military Switching Characteristics**<sup>[3]</sup>

Parameter	Description	20V8-10		20V8-15		20V8-25		Unit
		Min.	Max.	Min.	Max.	Min.	Max.	
t <sub>PD</sub>	Input to Output Propagation Delay <sup>[9]</sup>	1	10	1	15	1	25	ns
t <sub>PZX</sub>	OE to Output Enable		10		15		20	ns
t <sub>PXZ</sub>	OE to Output Disable		10		15		20	ns
t <sub>EA</sub>	Input to Output Enable Delay <sup>[8]</sup>		10		15		25	ns
t <sub>ER</sub>	Input to Output Disable Delay <sup>[8,10]</sup>		10		15		25	ns
t <sub>CO</sub>	Clock to Output Delay <sup>[9]</sup>	1	10	1	12	1	20	ns
t <sub>S</sub>	Input or Feedback Set-Up Time	10		12		20		ns
t <sub>H</sub>	Input Hold Time	0		0		0		ns
t <sub>P</sub>	External Clock Period (t <sub>CO</sub> + t <sub>S</sub> )	20		24		40		ns
t <sub>WH</sub>	Clock Width HIGH <sup>[8]</sup>	8		10		15		ns
t <sub>WL</sub>	Clock Width LOW <sup>[8]</sup>	8		10		15		ns
f <sub>MAX1</sub>	External Maximum Frequency (1/(t <sub>CO</sub> + t <sub>S</sub> )) <sup>[8,11]</sup>	50		41.7		25		MHz
f <sub>MAX2</sub>	Data Path Maximum Frequency (1/(t <sub>WH</sub> + t <sub>WL</sub> )) <sup>[8, 12]</sup>	62.5		50		33.3		MHz
f <sub>MAX3</sub>	Internal Feedback Maximum Frequency (1/(t <sub>CF</sub> + t <sub>S</sub> )) <sup>[8,13]</sup>	62.5		50		33.3		MHz
t <sub>CF</sub>	Register Clock to Feedback Input <sup>[8, 14]</sup>		6		8		10	ns
t <sub>PR</sub>	Power-Up Reset Time <sup>[8]</sup>	1		1		1		μs

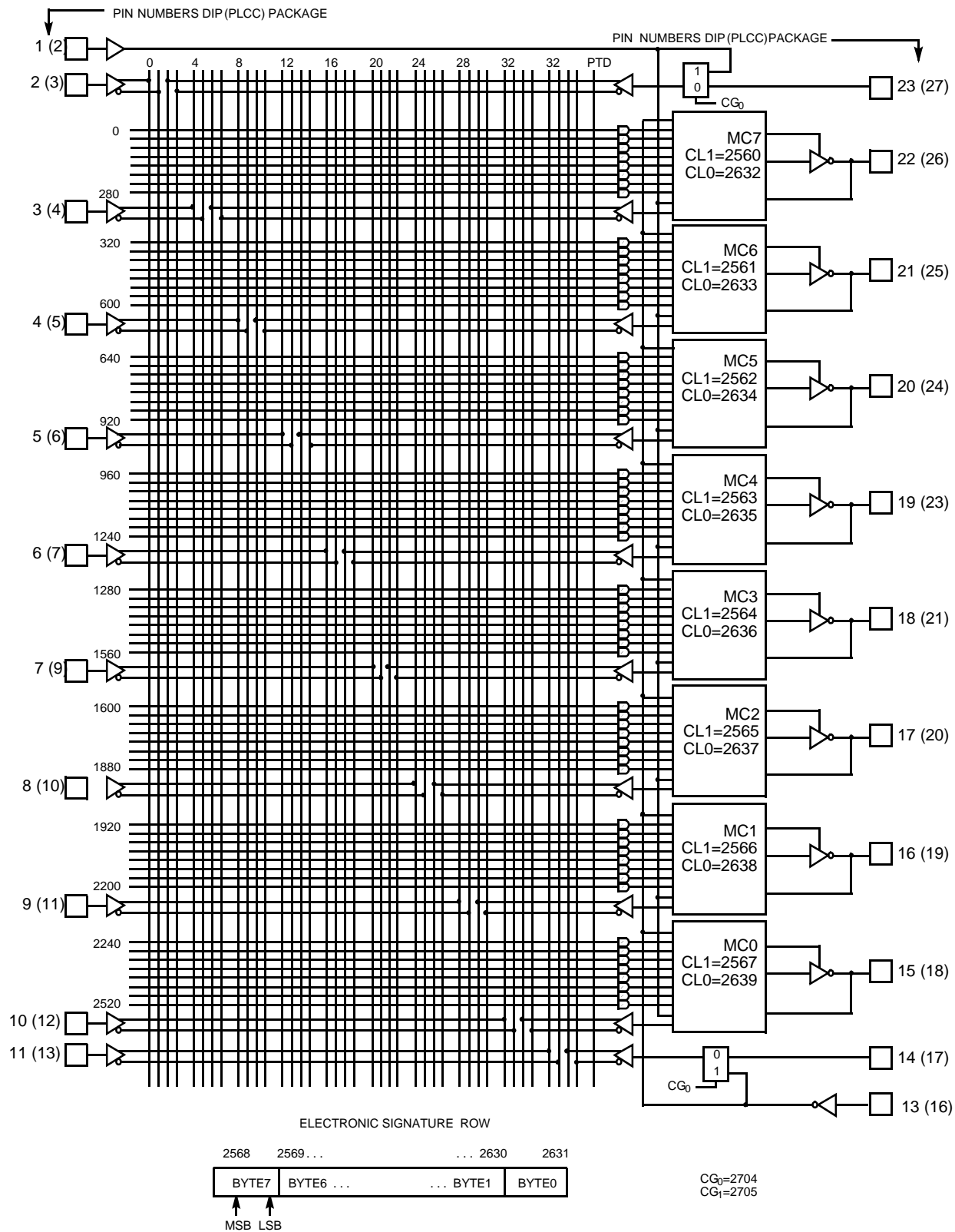
**Switching Waveform**



**Power-Up Reset Waveform**



**Functional Logic Diagram for PALCE20V8**





**Ordering Information for PALCE20V8**

<b>I<sub>CC</sub> (mA)</b>	<b>t<sub>PD</sub> (ns)</b>	<b>t<sub>S</sub> (ns)</b>	<b>t<sub>CO</sub> (ns)</b>	<b>Ordering Code</b>	<b>Package Name</b>	<b>Package Type</b>	<b>Operating Range</b>
115	5	3	4	PALCE20V8-5JC	J64	28-Lead Plastic Leaded Chip Carrier	Commercial
115	7.5	7	5	PALCE20V8-7JC	J64	28-Lead Plastic Leaded Chip Carrier	Commercial
				PALCE20V8-7PC	P13	24-Lead (300-Mil) Molded DIP	
115	10	10	7	PALCE20V8-10JC	J64	28-Lead Plastic Leaded Chip Carrier	
				PALCE20V8-10PC	P13	24-Lead (300-Mil) Molded DIP	
				PALCE20V8-10QC	Q13	24-Lead Quarter-Size Outline	
130	10	10	10	PALCE20V8-10JI	J64	28-Lead Plastic Leaded Chip Carrier	Industrial
				PALCE20V8-10PI	P13	24-Lead (300-Mil) Molded DIP	
				PALCE20V8-10DMB	D14	24-Lead (300-Mil) CerDIP	Military
				PALCE20V8-10LMB	L64	28-Pin Square Leadless Chip Carrier	
90	15	12	10	PALCE20V8-15JC	J64	28-Lead Plastic Leaded Chip Carrier	Commercial
				PALCE20V8-15PC	P13	24-Lead (300-Mil) Molded DIP	
				PALCE20V8-15QC	Q13	24-Lead Quarter-Size Outline	
130	15	12	12	PALCE20V8-15JI	J64	28-Lead Plastic Leaded Chip Carrier	Industrial
				PALCE20V8-15PI	P13	24-Lead (300-Mil) Molded DIP	
				PALCE20V8-15QI	Q13	24-Lead Quarter-Size Outline	
				PALCE20V8-15DMB	D14	24-Lead (300-Mil) CerDIP	Military
				PALCE20V8-15LMB	L64	28-Pin Square Leadless Chip Carrier	
90	25	15	12	PALCE20V8-25JC	J64	28-Lead Plastic Leaded Chip Carrier	Commercial
				PALCE20V8-25PC	P13	24-Lead (300-Mil) Molded DIP	
				PALCE20V8-25QC	Q13	24-Lead Quarter-Size Outline	
130	25	20	20	PALCE20V8-25JI	J64	28-Lead Plastic Leaded Chip Carrier	Industrial
				PALCE20V8-25PI	P13	24-Lead (300-Mil) Molded DIP	
				PALCE20V8-25QI	Q13	24-Lead Quarter-Size Outline	
				PALCE20V8-25DMB	D14	24-Lead (300-Mil) CerDIP	Military
				PALCE20V8-25LMB	L64	28-Pin Square Leadless Chip Carrier	

Shaded areas contain preliminary information.

**Ordering Information for PALCE20V8L**

<b>I<sub>CC</sub> (mA)</b>	<b>t<sub>PD</sub> (ns)</b>	<b>t<sub>S</sub> (ns)</b>	<b>t<sub>CO</sub> (ns)</b>	<b>Ordering Code</b>	<b>Package Name</b>	<b>Package Type</b>	<b>Operating Range</b>
55	15	12	10	PALCE20V8L-15JC	J64	28-Lead Plastic Leaded Chip Carrier	Commercial
				PALCE20V8L-15PC	P13	24-Lead (300-Mil) Molded DIP	
				PALCE20V8L-15QC	Q13	24-Lead Quarter-Size Outline	
65	15	12	12	PALCE20V8L-15JI	J64	28-Lead Plastic Leaded Chip Carrier	Industrial
				PALCE20V8L-15PI	P13	24-Lead (300-Mil) Molded DIP	
				PALCE20V8L-15QI	Q13	24-Lead Quarter-Size Outline	
				PALCE20V8L-15DMB	D14	24-Lead (300-Mil) CerDIP	Military
				PALCE20V8L-15LMB	L64	28-Pin Square Leadless Chip Carrier	
55	25	15	12	PALCE20V8L-25JC	J64	28-Lead Plastic Leaded Chip Carrier	Commercial
				PALCE20V8L-25PC	P13	24-Lead (300-Mil) Molded DIP	
				PALCE20V8L-25QC	Q13	24-Lead Quarter-Size Outline	



**USE ULTRA37000™ FOR  
ALL NEW DESIGNS**

**PALCE20V8**

**Ordering Information for PALCE20V8L (continued)**

<b>I<sub>CC</sub> (mA)</b>	<b>t<sub>PD</sub> (ns)</b>	<b>t<sub>S</sub> (ns)</b>	<b>t<sub>CO</sub> (ns)</b>	<b>Ordering Code</b>	<b>Package Name</b>	<b>Package Type</b>	<b>Operating Range</b>
65	25	20	20	PALCE20V8L-25JI	J64	28-Lead Plastic Leaded Chip Carrier	Industrial
				PALCE20V8L-25PI	P13	24-Lead (300-Mil) Molded DIP	
				PALCE20V8L-25QI	Q13	24-Lead Quarter-Size Outline	
				PALCE20V8L-25DMB	D14	24-Lead (300-Mil) CerDIP	Military
				PALCE20V8L-25LMB	L64	28-Pin Square Leadless Chip Carrier	



**MILITARY SPECIFICATIONS  
Group Subgroup Testing**

**DC Characteristics**

Parameter	Subgroups
V <sub>OH</sub>	1, 2, 3
V <sub>OL</sub>	1, 2, 3
V <sub>IH</sub>	1, 2, 3
V <sub>IL</sub>	1, 2, 3
I <sub>Ix</sub>	1, 2, 3
I <sub>OZ</sub>	1, 2, 3
I <sub>CC</sub>	1, 2, 3

**Switching Characteristics**

Parameter	Subgroups
t <sub>PD</sub>	9, 10, 11
t <sub>CO</sub>	9, 10, 11
t <sub>S</sub>	9, 10, 11
t <sub>H</sub>	9, 10, 11

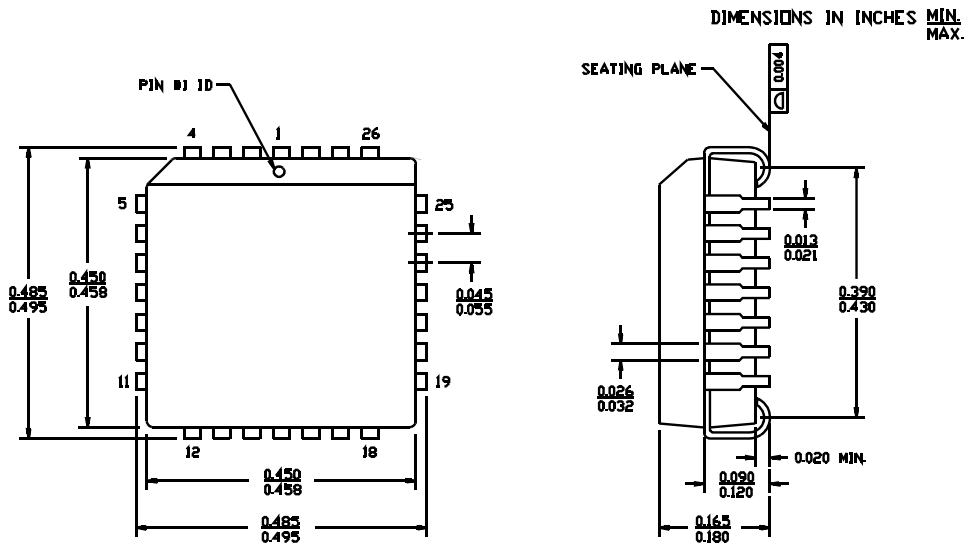
**Package Diagrams**

**24-Lead (300-Mil) CerDIP D14**  
MIL-STD-1835 D-9 Config.A

51-80031-\*\*

Package Diagrams (continued)

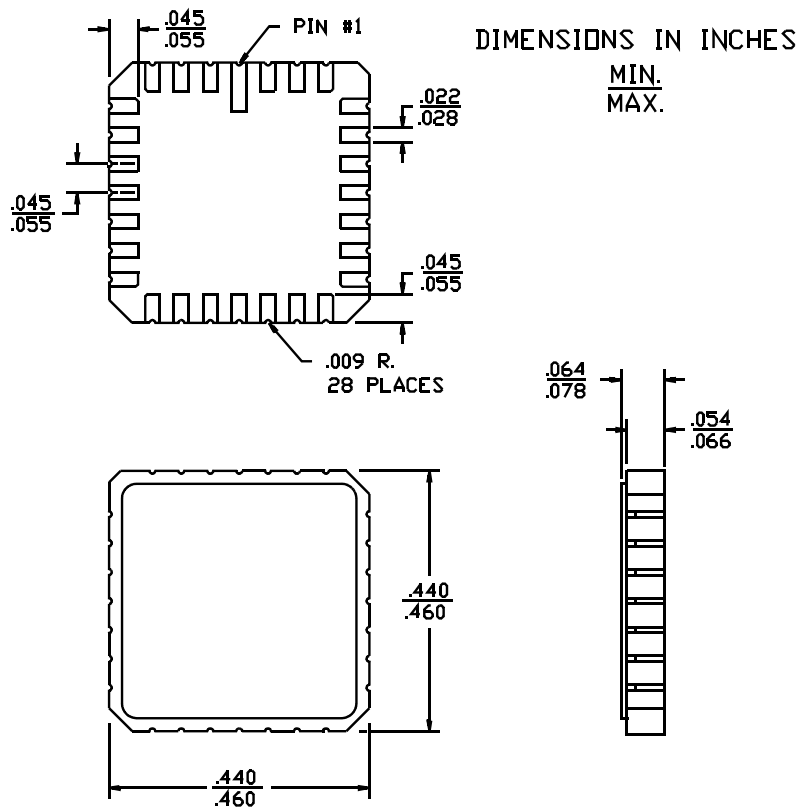
**28-Lead Plastic Leaded Chip Carrier J64**



51-85001-\*A

**28-Square Leadless Chip Carrier L64**

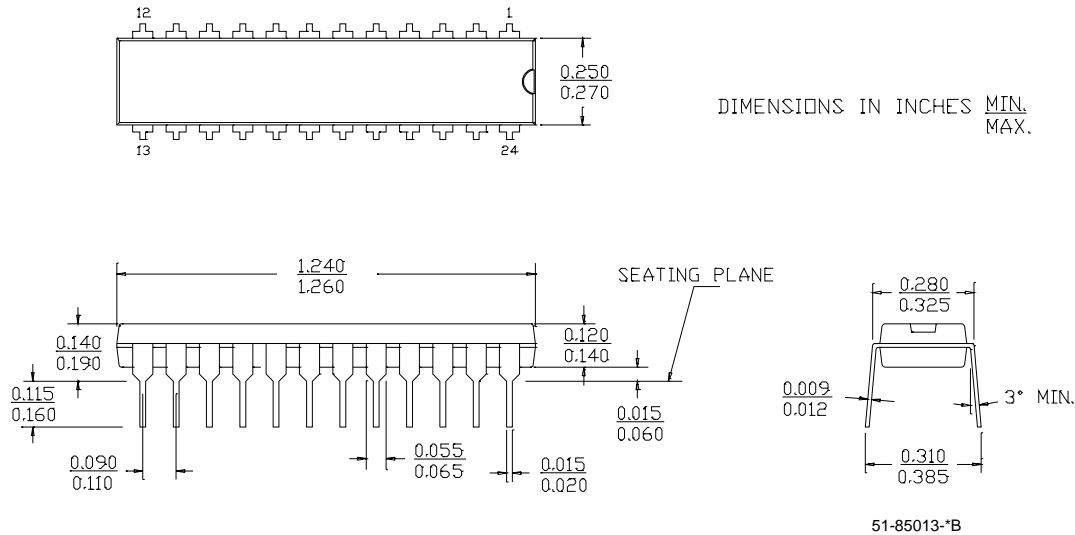
MIL-STD-1835 C-4



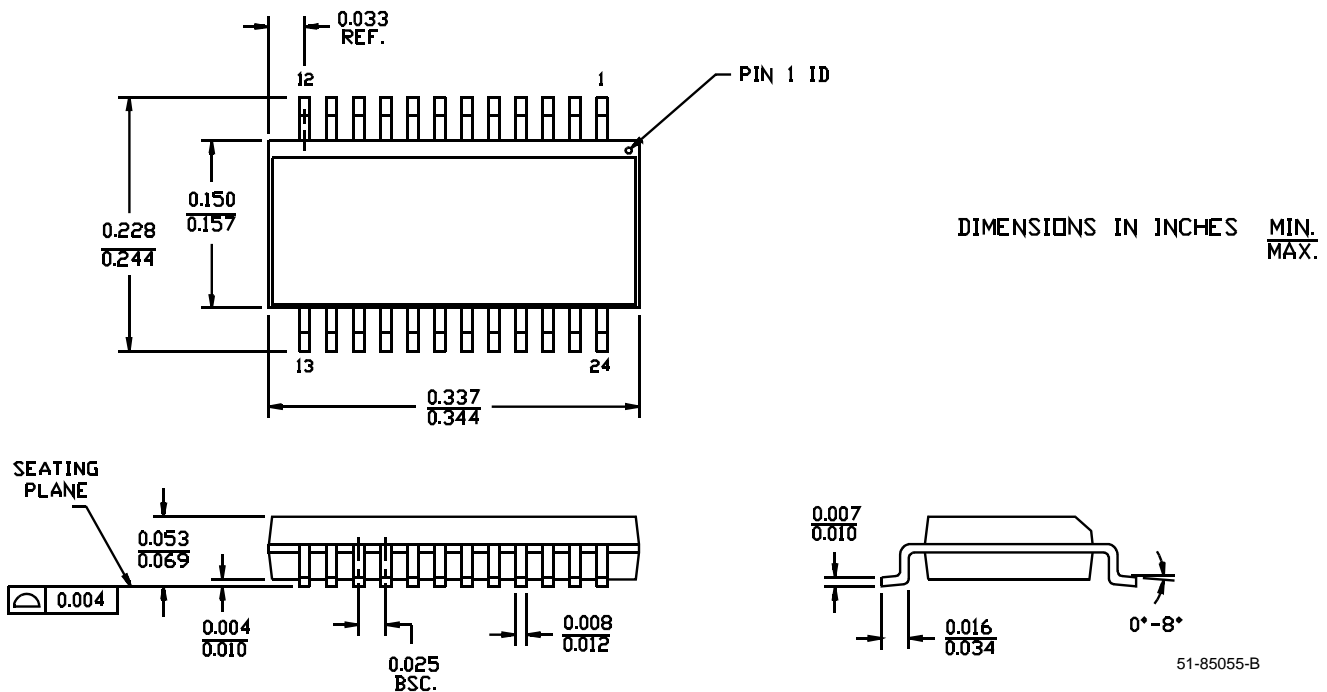
51-80051-\*\*

**Package Diagrams (continued)**

**24-Lead (300-Mil) PDIP P13**



**24-Lead Quarter Size Outline Q13**



Ultra37000 is a trademark of Cypress Semiconductor Corporation. PAL is a registered trademark of Advanced Micro Devices, Inc. All products and company names mentioned in this document may be the trademarks of their respective holders.



**USE ULTRA37000™ FOR  
ALL NEW DESIGNS**

**PALCE20V8**

**Document History Page**

<b>Document Title: PALCE20V8 Flash-Erasable Reprogrammable CMOS PAL® Device</b> <b>Document Number: 38-03026</b>				
<b>REV.</b>	<b>ECN NO.</b>	<b>Issue Date</b>	<b>Orig. of Change</b>	<b>Description of Change</b>
**	106371	07/11/01	SZV	Changed from Spec Number: 38-00367 to 38-03026
*A	122231	12/28/02	RBI	Added power-up requirements to Operating Range Information
*B	213375	See ECN	FSG	Added note to title page: "Use Ultra37000 For All New Designs"