



**USE ULTRA37000™ FOR ALL NEW DESIGNS**

**PALC22V10**

# Reprogrammable CMOS PAL® Device

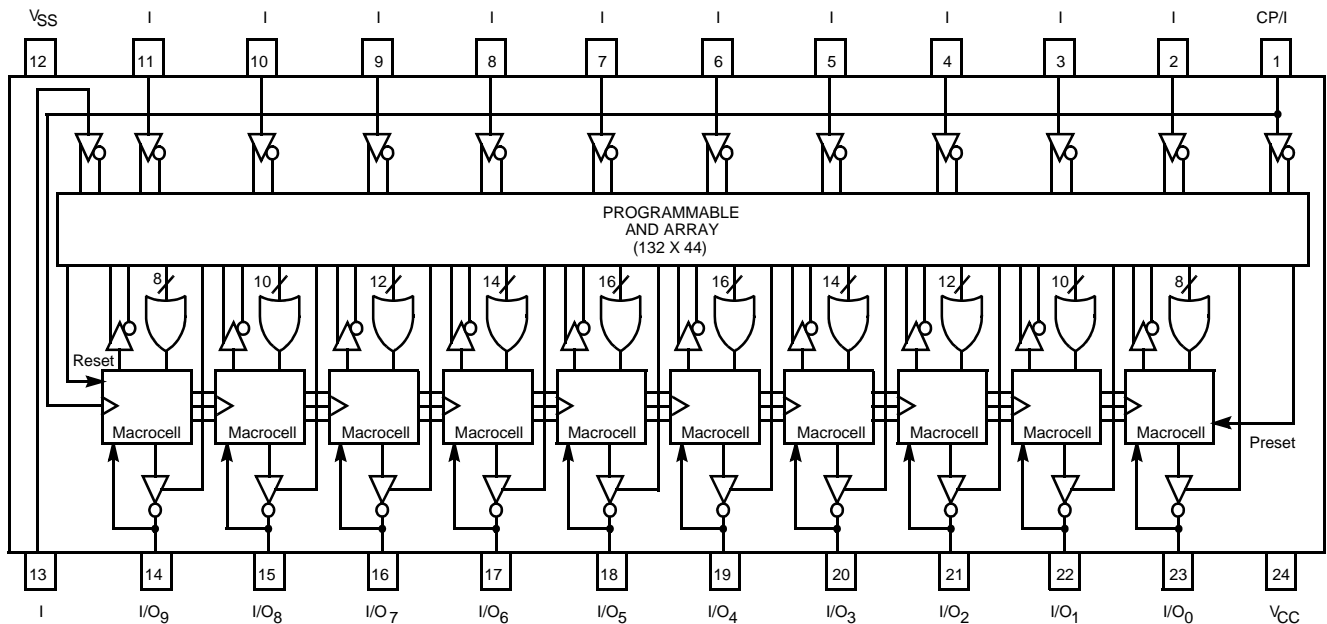
## Features

- Advanced second-generation PAL® architecture
- Low power
  - 55 mA max. “L”
  - 90 mA max. standard
  - 120 mA max. military
- CMOS EPROM technology for reprogrammability
- Variable product terms
  - 2 x (8 through 16) product terms
- User-programmable macrocell
  - Output polarity control
  - Individually selectable for registered or combinatorial operation
- 20, 25, 35 ns commercial and industrial
- 25, 30, 40 ns military
- Up to 22 input terms and 10 outputs
- High reliability
  - Proven EPROM technology
  - 100% programming and functional testing
- Windowed DIP, windowed LCC, DIP, LCC, and PLCC available

## Functional Description

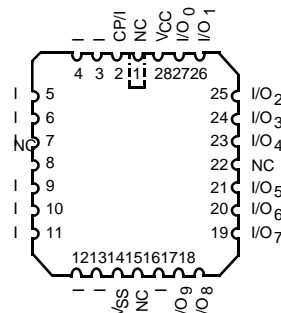
The Cypress PALC22V10 is a CMOS second-generation programmable logic array device. It is implemented with the familiar sum-of-products (AND-OR) logic structure and a new concept, the “programmable macrocell.”

## Logic Block Diagram (PDIP/CDIP)



## Pin Configuration

LCC/PLCC Top View





**USE ULTRA37000™ FOR  
ALL NEW DESIGNS**

**PALC22V10**

## Functional Description

The PALC22V10 is available in 24-pin 300-mil molded DIPs, 300-mil windowed cerDIPs, 28-lead square ceramic leadless chip carriers, 28-lead square plastic leaded chip carriers, and provides up to 22 inputs and 10 outputs. When the windowed cerDIP is exposed to UV light, the 22V10 is erased and can then be reprogrammed. The programmable macrocell provides the capability of defining the architecture of each

output individually. Each of the 10 potential outputs may be specified as registered or combinatorial. Polarity of each output may also be individually selected, allowing complete flexibility of output configuration. Further configurability is provided through array-configurable output enable for each potential output. This feature allows the 10 outputs to be reconfigured as inputs on an individual basis, or alternately used as a combination I/O controlled by the programmable array.

Ultra37000 is a trademark of Cypress Semiconductor Corporation. PAL is a registered trademark of Advanced Micro Devices. All product and company names mentioned in this document may be the trademarks of their respective holders.



**USE ULTRA37000™ FOR  
ALL NEW DESIGNS**

**PALC22V10**

**Document History Page**

<b>Document Title: PALC22V10 Reprogrammable CMOS PAL® Device</b> <b>Document Number: 38-03052</b>				
<b>REV.</b>	<b>ECN NO.</b>	<b>Issue Date</b>	<b>Orig. of Change</b>	<b>Description of Change</b>
**	116859	06/28/02	DSG	Change from Spec number: 38-00020 to 38-03052
*A	213375	See ECN	FSG	Added note to title page: "Use Ultra37000 For All New Designs"