

DSP56321

24-Bit Digital Signal Processor

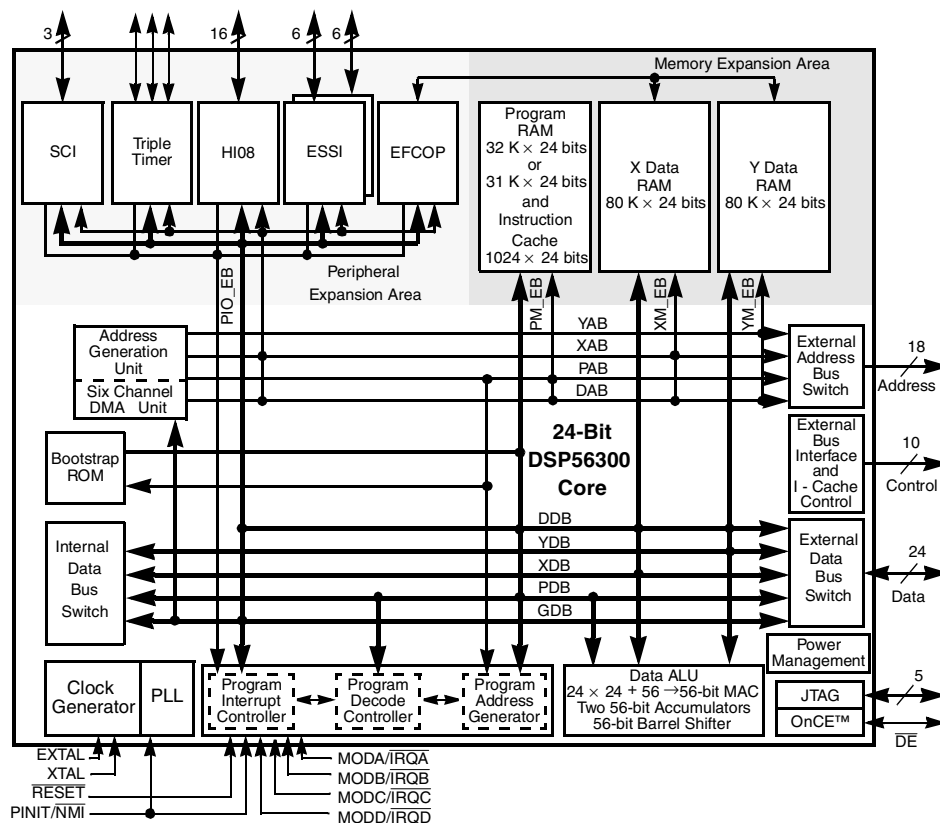


Figure 1. DSP56321 Block Diagram

The DSP56321 is intended for applications requiring a large amount of internal memory, such as networking and wireless infrastructure applications. The onboard EFCOP can accelerate general filtering applications, such as echo-cancellation applications, correlation, and general-purpose convolution-based algorithms.

What's New?
 Rev. 11 includes the following changes:

- Adds lead-free packaging and part numbers.

The Freescale DSP56321, a member of the DSP56300 DSP family, supports networking, security encryption, and home entertainment using a high-performance, single-clock-cycle-per-instruction engine (DSP56000 code-compatible), a barrel shifter, 24-bit addressing, an instruction cache, and a direct memory access (DMA) controller (see Figure 1).

The DSP56321 offers 275 million multiply-accumulates per second (MMACS) performance, attaining 550 MMACS when the EFCOP is in use. It operates with an internal 275 MHz clock with a 1.6 volt core and independent 3.3 volt input/output (I/O) power. By operating in parallel with the core, the EFCOP provides overall enhanced performance and signal quality with no impact on channel throughput or total channel support. This device is pin-compatible with the Freescale DSP56303, DSP56L307, DSP56309, and DSP56311.

Table of Contents

| | | |
|-------------------|---|------|
| | Data Sheet Conventions | ii |
| | Features | iii |
| | Target Applications | iv |
| | Product Documentation | v |
| Chapter 1 | Signals/Connections | |
| 1.1 | Power | 1-3 |
| 1.2 | Ground | 1-3 |
| 1.3 | Clock | 1-3 |
| 1.4 | External Memory Expansion Port (Port A) | 1-4 |
| 1.5 | Interrupt and Mode Control | 1-6 |
| 1.6 | Host Interface (HI08) | 1-7 |
| 1.7 | Enhanced Synchronous Serial Interface 0 (ESSI0) | 1-10 |
| 1.8 | Enhanced Synchronous Serial Interface 1 (ESSI1) | 1-11 |
| 1.9 | Serial Communication Interface (SCI) | 1-12 |
| 1.10 | Timers | 1-13 |
| 1.11 | JTAG and OnCE Interface | 1-14 |
| Chapter 2 | Specifications | |
| 2.1 | Maximum Ratings | 2-1 |
| 2.2 | Thermal Characteristics | 2-2 |
| 2.3 | DC Electrical Characteristics | 2-2 |
| 2.4 | AC Electrical Characteristics | 2-3 |
| Chapter 3 | Packaging | |
| 3.1 | Package Description | 3-2 |
| 3.2 | MAP-BGA Package Mechanical Drawing | 3-10 |
| Chapter 4 | Design Considerations | |
| 4.1 | Thermal Design Considerations | 4-1 |
| 4.2 | Electrical Design Considerations | 4-2 |
| 4.3 | Power Consumption Considerations | 4-3 |
| 4.4 | Input (EXTAL) Jitter Requirements | 4-4 |
| Appendix A | Power Consumption Benchmark | |

Data Sheet Conventions

| | |
|-----------------------------|--|
| $\overline{\text{OVERBAR}}$ | Indicates a signal that is active when pulled low (For example, the $\overline{\text{RESET}}$ pin is active when low.) |
| “asserted” | Means that a high true (active high) signal is high or that a low true (active low) signal is low |
| “deasserted” | Means that a high true (active high) signal is low or that a low true (active low) signal is high |

| Examples: | Signal/Symbol | Logic State | Signal State | Voltage |
|-----------|-------------------------|-------------|--------------|-----------------|
| | $\overline{\text{PIN}}$ | True | Asserted | V_{IL}/V_{OL} |
| | $\overline{\text{PIN}}$ | False | Deasserted | V_{IH}/V_{OH} |
| | PIN | True | Asserted | V_{IH}/V_{OH} |
| | PIN | False | Deasserted | V_{IL}/V_{OL} |

Note: Values for V_{IL} , V_{OL} , V_{IH} , and V_{OH} are defined by individual product specifications.

Features

Table 1 lists the features of the DSP56321 device.

Table 1. DSP56321 Features

| Feature | Description |
|---|--|
| <p>High-Performance DSP56300 Core</p> | <ul style="list-style-type: none"> • 275 million multiply-accumulates per second (MMACS) (550 MMACS using the EFCOP in filtering applications) with a 275 MHz clock at 1.6 V core and 3.3 V I/O • Object code compatible with the DSP56000 core with highly parallel instruction set • Data arithmetic logic unit (Data ALU) with fully pipelined 24×24-bit parallel Multiplier-Accumulator (MAC), 56-bit parallel barrel shifter (fast shift and normalization; bit stream generation and parsing), conditional ALU instructions, and 24-bit or 16-bit arithmetic support under software control • Program control unit (PCU) with position independent code (PIC) support, addressing modes optimized for DSP applications (including immediate offsets), internal instruction cache controller, internal memory-expandable hardware stack, nested hardware DO loops, and fast auto-return interrupts • Direct memory access (DMA) with six DMA channels supporting internal and external accesses; one-, two-, and three-dimensional transfers (including circular buffering); end-of-block-transfer interrupts; and triggering from interrupt lines and all peripherals • Phase-lock loop (PLL) allows change of low-power divide factor (DF) without loss of lock and output clock with skew elimination • Hardware debugging support including on-chip emulation (OnCE) module, Joint Test Action Group (JTAG) test access port (TAP) |
| <p>Enhanced Filter Coprocessor (EFCOP)</p> | <ul style="list-style-type: none"> • Internal 24×24-bit filtering and echo-cancellation coprocessor that runs in parallel to the DSP core • Operation at the same frequency as the core (up to 275 MHz) • Support for a variety of filter modes, some of which are optimized for cellular base station applications: <ul style="list-style-type: none"> • Real finite impulse response (FIR) with real taps • Complex FIR with complex taps • Complex FIR generating pure real or pure imaginary outputs alternately • A 4-bit decimation factor in FIR filters, thus providing a decimation ratio up to 16 • Direct form 1 (DFI) Infinite Impulse Response (IIR) filter • Direct form 2 (DFII) IIR filter • Four scaling factors (1, 4, 8, 16) for IIR output • Adaptive FIR filter with true least mean square (LMS) coefficient updates • Adaptive FIR filter with delayed LMS coefficient updates |
| <p>Internal Peripherals</p> | <ul style="list-style-type: none"> • Enhanced 8-bit parallel host interface (HI08) supports a variety of buses (for example, ISA) and provides glueless connection to a number of industry-standard microcomputers, microprocessors, and DSPs • Two enhanced synchronous serial interfaces (ESSI), each with one receiver and three transmitters (allows six-channel home theater) • Serial communications interface (SCI) with baud rate generator • Triple timer module • Up to 34 programmable general-purpose input/output (GPIO) pins, depending on which peripherals are enabled |

Because of an order from the United States International Trade Commission, BGA-packaged product lines and part numbers indicated here currently are not available from Freescale for import or sale in the United States prior to September 2010: DSP56321VF200, DSP56321VF220, DSP56321VF240, DSP56321VF275, DSP56321VL200, DSP56321VL220, DSP56321VL240, DSP56321VL275

Table 1. DSP56321 Features (Continued)

| Feature | Description | | | | | | | | | | | | | | | | | | | | | | | | | | | | | | | | | | | | | | | | | | | | | | | | | | | | | | | | | | | | | | | | | | | | | | | | | | | | | | | | | | | | | | | | | | | | | | | | | | | | | | | | | | | | | | | | | | | | | | | | | | | | | | | | | | | | | | | | |
|----------------------------------|--|------------------------|------------------------|------------------|-------------------|-------------------|------|------|------|---------------|---|---------------|---------------|----------|---|---|---|---------------|---------------|---------------|---------------|---------|---|---|---|---------------|---|---------------|---------------|----------|---|---|---|---------------|---------------|---------------|---------------|---------|---|---|---|---------------|---|---------------|---------------|----------|---|---|---|---------------|---------------|---------------|---------------|---------|---|---|---|---------------|---|---------------|---------------|----------|---|---|---|---------------|---------------|---------------|---------------|---------|---|---|---|---------------|---|---------------|---------------|----------|---|---|---|---------------|---------------|---------------|---------------|---------|---|---|---|---------------|---|---------------|---------------|----------|---|---|---|---------------|---------------|---------------|---------------|---------|---|---|---|---------------|---|---------------|---------------|----------|---|---|---|---------------|---------------|---------------|---------------|---------|---|---|---|----------------|---|---------------|---------------|----------|---|---|---|----------------|---------------|---------------|---------------|---------|---|---|---|
| Internal Memories | <ul style="list-style-type: none"> • 192 × 24-bit bootstrap ROM • 192 K × 24-bit RAM total • Program RAM, instruction cache, X data RAM, and Y data RAM sizes are programmable: <table border="1"> <thead> <tr> <th>Program RAM Size</th> <th>Instruction Cache Size</th> <th>X Data RAM Size*</th> <th>Y Data RAM Size*</th> <th>Instruction Cache</th> <th>MSW2</th> <th>MSW1</th> <th>MSW0</th> </tr> </thead> <tbody> <tr> <td>32 K × 24-bit</td> <td>0</td> <td>80 K × 24-bit</td> <td>80 K × 24-bit</td> <td>disabled</td> <td>0</td> <td>0</td> <td>0</td> </tr> <tr> <td>31 K × 24-bit</td> <td>1024 × 24-bit</td> <td>80 K × 24-bit</td> <td>80 K × 24-bit</td> <td>enabled</td> <td>0</td> <td>0</td> <td>0</td> </tr> <tr> <td>40 K × 24-bit</td> <td>0</td> <td>76 K × 24-bit</td> <td>76 K × 24-bit</td> <td>disabled</td> <td>0</td> <td>0</td> <td>1</td> </tr> <tr> <td>39 K × 24-bit</td> <td>1024 × 24-bit</td> <td>76 K × 24-bit</td> <td>76 K × 24-bit</td> <td>enabled</td> <td>0</td> <td>0</td> <td>1</td> </tr> <tr> <td>48 K × 24-bit</td> <td>0</td> <td>72 K × 24-bit</td> <td>72 K × 24-bit</td> <td>disabled</td> <td>0</td> <td>1</td> <td>0</td> </tr> <tr> <td>47 K × 24-bit</td> <td>1024 × 24-bit</td> <td>72 K × 24-bit</td> <td>72 K × 24-bit</td> <td>enabled</td> <td>0</td> <td>1</td> <td>0</td> </tr> <tr> <td>64 K × 24-bit</td> <td>0</td> <td>64 K × 24-bit</td> <td>64 K × 24-bit</td> <td>disabled</td> <td>0</td> <td>1</td> <td>1</td> </tr> <tr> <td>63 K × 24-bit</td> <td>1024 × 24-bit</td> <td>64 K × 24-bit</td> <td>64 K × 24-bit</td> <td>enabled</td> <td>0</td> <td>1</td> <td>1</td> </tr> <tr> <td>72 K × 24-bit</td> <td>0</td> <td>60 K × 24-bit</td> <td>60 K × 24-bit</td> <td>disabled</td> <td>1</td> <td>0</td> <td>0</td> </tr> <tr> <td>71 K × 24-bit</td> <td>1024 × 24-bit</td> <td>60 K × 24-bit</td> <td>60 K × 24-bit</td> <td>enabled</td> <td>1</td> <td>0</td> <td>0</td> </tr> <tr> <td>80 K × 24-bit</td> <td>0</td> <td>56 K × 24-bit</td> <td>56 K × 24-bit</td> <td>disabled</td> <td>1</td> <td>0</td> <td>1</td> </tr> <tr> <td>79 K × 24-bit</td> <td>1024 × 24-bit</td> <td>56 K × 24-bit</td> <td>56 K × 24-bit</td> <td>enabled</td> <td>1</td> <td>0</td> <td>1</td> </tr> <tr> <td>96 K × 24-bit</td> <td>0</td> <td>48 K × 24-bit</td> <td>48 K × 24-bit</td> <td>disabled</td> <td>1</td> <td>1</td> <td>0</td> </tr> <tr> <td>95 K × 24-bit</td> <td>1024 × 24-bit</td> <td>48 K × 24-bit</td> <td>48 K × 24-bit</td> <td>enabled</td> <td>1</td> <td>1</td> <td>0</td> </tr> <tr> <td>112 K × 24-bit</td> <td>0</td> <td>40 K × 24-bit</td> <td>40 K × 24-bit</td> <td>disabled</td> <td>1</td> <td>1</td> <td>1</td> </tr> <tr> <td>111 K × 24-bit</td> <td>1024 × 24-bit</td> <td>40 K × 24-bit</td> <td>40 K × 24-bit</td> <td>enabled</td> <td>1</td> <td>1</td> <td>1</td> </tr> </tbody> </table> | Program RAM Size | Instruction Cache Size | X Data RAM Size* | Y Data RAM Size* | Instruction Cache | MSW2 | MSW1 | MSW0 | 32 K × 24-bit | 0 | 80 K × 24-bit | 80 K × 24-bit | disabled | 0 | 0 | 0 | 31 K × 24-bit | 1024 × 24-bit | 80 K × 24-bit | 80 K × 24-bit | enabled | 0 | 0 | 0 | 40 K × 24-bit | 0 | 76 K × 24-bit | 76 K × 24-bit | disabled | 0 | 0 | 1 | 39 K × 24-bit | 1024 × 24-bit | 76 K × 24-bit | 76 K × 24-bit | enabled | 0 | 0 | 1 | 48 K × 24-bit | 0 | 72 K × 24-bit | 72 K × 24-bit | disabled | 0 | 1 | 0 | 47 K × 24-bit | 1024 × 24-bit | 72 K × 24-bit | 72 K × 24-bit | enabled | 0 | 1 | 0 | 64 K × 24-bit | 0 | 64 K × 24-bit | 64 K × 24-bit | disabled | 0 | 1 | 1 | 63 K × 24-bit | 1024 × 24-bit | 64 K × 24-bit | 64 K × 24-bit | enabled | 0 | 1 | 1 | 72 K × 24-bit | 0 | 60 K × 24-bit | 60 K × 24-bit | disabled | 1 | 0 | 0 | 71 K × 24-bit | 1024 × 24-bit | 60 K × 24-bit | 60 K × 24-bit | enabled | 1 | 0 | 0 | 80 K × 24-bit | 0 | 56 K × 24-bit | 56 K × 24-bit | disabled | 1 | 0 | 1 | 79 K × 24-bit | 1024 × 24-bit | 56 K × 24-bit | 56 K × 24-bit | enabled | 1 | 0 | 1 | 96 K × 24-bit | 0 | 48 K × 24-bit | 48 K × 24-bit | disabled | 1 | 1 | 0 | 95 K × 24-bit | 1024 × 24-bit | 48 K × 24-bit | 48 K × 24-bit | enabled | 1 | 1 | 0 | 112 K × 24-bit | 0 | 40 K × 24-bit | 40 K × 24-bit | disabled | 1 | 1 | 1 | 111 K × 24-bit | 1024 × 24-bit | 40 K × 24-bit | 40 K × 24-bit | enabled | 1 | 1 | 1 |
| | Program RAM Size | Instruction Cache Size | X Data RAM Size* | Y Data RAM Size* | Instruction Cache | MSW2 | MSW1 | MSW0 | | | | | | | | | | | | | | | | | | | | | | | | | | | | | | | | | | | | | | | | | | | | | | | | | | | | | | | | | | | | | | | | | | | | | | | | | | | | | | | | | | | | | | | | | | | | | | | | | | | | | | | | | | | | | | | | | | | | | | | | | | | | | | | | | |
| | 32 K × 24-bit | 0 | 80 K × 24-bit | 80 K × 24-bit | disabled | 0 | 0 | 0 | | | | | | | | | | | | | | | | | | | | | | | | | | | | | | | | | | | | | | | | | | | | | | | | | | | | | | | | | | | | | | | | | | | | | | | | | | | | | | | | | | | | | | | | | | | | | | | | | | | | | | | | | | | | | | | | | | | | | | | | | | | | | | | | | |
| | 31 K × 24-bit | 1024 × 24-bit | 80 K × 24-bit | 80 K × 24-bit | enabled | 0 | 0 | 0 | | | | | | | | | | | | | | | | | | | | | | | | | | | | | | | | | | | | | | | | | | | | | | | | | | | | | | | | | | | | | | | | | | | | | | | | | | | | | | | | | | | | | | | | | | | | | | | | | | | | | | | | | | | | | | | | | | | | | | | | | | | | | | | | | |
| | 40 K × 24-bit | 0 | 76 K × 24-bit | 76 K × 24-bit | disabled | 0 | 0 | 1 | | | | | | | | | | | | | | | | | | | | | | | | | | | | | | | | | | | | | | | | | | | | | | | | | | | | | | | | | | | | | | | | | | | | | | | | | | | | | | | | | | | | | | | | | | | | | | | | | | | | | | | | | | | | | | | | | | | | | | | | | | | | | | | | | |
| | 39 K × 24-bit | 1024 × 24-bit | 76 K × 24-bit | 76 K × 24-bit | enabled | 0 | 0 | 1 | | | | | | | | | | | | | | | | | | | | | | | | | | | | | | | | | | | | | | | | | | | | | | | | | | | | | | | | | | | | | | | | | | | | | | | | | | | | | | | | | | | | | | | | | | | | | | | | | | | | | | | | | | | | | | | | | | | | | | | | | | | | | | | | | |
| | 48 K × 24-bit | 0 | 72 K × 24-bit | 72 K × 24-bit | disabled | 0 | 1 | 0 | | | | | | | | | | | | | | | | | | | | | | | | | | | | | | | | | | | | | | | | | | | | | | | | | | | | | | | | | | | | | | | | | | | | | | | | | | | | | | | | | | | | | | | | | | | | | | | | | | | | | | | | | | | | | | | | | | | | | | | | | | | | | | | | | |
| | 47 K × 24-bit | 1024 × 24-bit | 72 K × 24-bit | 72 K × 24-bit | enabled | 0 | 1 | 0 | | | | | | | | | | | | | | | | | | | | | | | | | | | | | | | | | | | | | | | | | | | | | | | | | | | | | | | | | | | | | | | | | | | | | | | | | | | | | | | | | | | | | | | | | | | | | | | | | | | | | | | | | | | | | | | | | | | | | | | | | | | | | | | | | |
| | 64 K × 24-bit | 0 | 64 K × 24-bit | 64 K × 24-bit | disabled | 0 | 1 | 1 | | | | | | | | | | | | | | | | | | | | | | | | | | | | | | | | | | | | | | | | | | | | | | | | | | | | | | | | | | | | | | | | | | | | | | | | | | | | | | | | | | | | | | | | | | | | | | | | | | | | | | | | | | | | | | | | | | | | | | | | | | | | | | | | | |
| | 63 K × 24-bit | 1024 × 24-bit | 64 K × 24-bit | 64 K × 24-bit | enabled | 0 | 1 | 1 | | | | | | | | | | | | | | | | | | | | | | | | | | | | | | | | | | | | | | | | | | | | | | | | | | | | | | | | | | | | | | | | | | | | | | | | | | | | | | | | | | | | | | | | | | | | | | | | | | | | | | | | | | | | | | | | | | | | | | | | | | | | | | | | | |
| | 72 K × 24-bit | 0 | 60 K × 24-bit | 60 K × 24-bit | disabled | 1 | 0 | 0 | | | | | | | | | | | | | | | | | | | | | | | | | | | | | | | | | | | | | | | | | | | | | | | | | | | | | | | | | | | | | | | | | | | | | | | | | | | | | | | | | | | | | | | | | | | | | | | | | | | | | | | | | | | | | | | | | | | | | | | | | | | | | | | | | |
| | 71 K × 24-bit | 1024 × 24-bit | 60 K × 24-bit | 60 K × 24-bit | enabled | 1 | 0 | 0 | | | | | | | | | | | | | | | | | | | | | | | | | | | | | | | | | | | | | | | | | | | | | | | | | | | | | | | | | | | | | | | | | | | | | | | | | | | | | | | | | | | | | | | | | | | | | | | | | | | | | | | | | | | | | | | | | | | | | | | | | | | | | | | | | |
| | 80 K × 24-bit | 0 | 56 K × 24-bit | 56 K × 24-bit | disabled | 1 | 0 | 1 | | | | | | | | | | | | | | | | | | | | | | | | | | | | | | | | | | | | | | | | | | | | | | | | | | | | | | | | | | | | | | | | | | | | | | | | | | | | | | | | | | | | | | | | | | | | | | | | | | | | | | | | | | | | | | | | | | | | | | | | | | | | | | | | | |
| | 79 K × 24-bit | 1024 × 24-bit | 56 K × 24-bit | 56 K × 24-bit | enabled | 1 | 0 | 1 | | | | | | | | | | | | | | | | | | | | | | | | | | | | | | | | | | | | | | | | | | | | | | | | | | | | | | | | | | | | | | | | | | | | | | | | | | | | | | | | | | | | | | | | | | | | | | | | | | | | | | | | | | | | | | | | | | | | | | | | | | | | | | | | | |
| | 96 K × 24-bit | 0 | 48 K × 24-bit | 48 K × 24-bit | disabled | 1 | 1 | 0 | | | | | | | | | | | | | | | | | | | | | | | | | | | | | | | | | | | | | | | | | | | | | | | | | | | | | | | | | | | | | | | | | | | | | | | | | | | | | | | | | | | | | | | | | | | | | | | | | | | | | | | | | | | | | | | | | | | | | | | | | | | | | | | | | |
| | 95 K × 24-bit | 1024 × 24-bit | 48 K × 24-bit | 48 K × 24-bit | enabled | 1 | 1 | 0 | | | | | | | | | | | | | | | | | | | | | | | | | | | | | | | | | | | | | | | | | | | | | | | | | | | | | | | | | | | | | | | | | | | | | | | | | | | | | | | | | | | | | | | | | | | | | | | | | | | | | | | | | | | | | | | | | | | | | | | | | | | | | | | | | |
| 112 K × 24-bit | 0 | 40 K × 24-bit | 40 K × 24-bit | disabled | 1 | 1 | 1 | | | | | | | | | | | | | | | | | | | | | | | | | | | | | | | | | | | | | | | | | | | | | | | | | | | | | | | | | | | | | | | | | | | | | | | | | | | | | | | | | | | | | | | | | | | | | | | | | | | | | | | | | | | | | | | | | | | | | | | | | | | | | | | | | | |
| 111 K × 24-bit | 1024 × 24-bit | 40 K × 24-bit | 40 K × 24-bit | enabled | 1 | 1 | 1 | | | | | | | | | | | | | | | | | | | | | | | | | | | | | | | | | | | | | | | | | | | | | | | | | | | | | | | | | | | | | | | | | | | | | | | | | | | | | | | | | | | | | | | | | | | | | | | | | | | | | | | | | | | | | | | | | | | | | | | | | | | | | | | | | | |
| | *Includes 12 K × 24-bit shared memory (that is, 24 K total memory shared by the core and the EFCOP) | | | | | | | | | | | | | | | | | | | | | | | | | | | | | | | | | | | | | | | | | | | | | | | | | | | | | | | | | | | | | | | | | | | | | | | | | | | | | | | | | | | | | | | | | | | | | | | | | | | | | | | | | | | | | | | | | | | | | | | | | | | | | | | | | | | | | | | | |
| External Memory Expansion | <ul style="list-style-type: none"> • Data memory expansion to two 256 K × 24-bit word memory spaces using the standard external address lines • Program memory expansion to one 256 K × 24-bit words memory space using the standard external address lines • External memory expansion port • Chip select logic for glueless interface to static random access memory (SRAMs) | | | | | | | | | | | | | | | | | | | | | | | | | | | | | | | | | | | | | | | | | | | | | | | | | | | | | | | | | | | | | | | | | | | | | | | | | | | | | | | | | | | | | | | | | | | | | | | | | | | | | | | | | | | | | | | | | | | | | | | | | | | | | | | | | | | | | | | | |
| Power Dissipation | <ul style="list-style-type: none"> • Very low-power CMOS design • Wait and Stop low-power standby modes • Fully static design specified to operate down to 0 Hz (dc) • Optimized power management circuitry (instruction-dependent, peripheral-dependent, and mode-dependent) | | | | | | | | | | | | | | | | | | | | | | | | | | | | | | | | | | | | | | | | | | | | | | | | | | | | | | | | | | | | | | | | | | | | | | | | | | | | | | | | | | | | | | | | | | | | | | | | | | | | | | | | | | | | | | | | | | | | | | | | | | | | | | | | | | | | | | | | |
| Packaging | <ul style="list-style-type: none"> • Molded array plastic-ball grid array (MAP-BGA) package in lead-free or lead-bearing versions. | | | | | | | | | | | | | | | | | | | | | | | | | | | | | | | | | | | | | | | | | | | | | | | | | | | | | | | | | | | | | | | | | | | | | | | | | | | | | | | | | | | | | | | | | | | | | | | | | | | | | | | | | | | | | | | | | | | | | | | | | | | | | | | | | | | | | | | | |

Target Applications

DSP56321 applications require high performance, low power, small packaging, and a large amount of internal memory. The EFCOP can accelerate general filtering applications. Examples include:

- Wireless and wireline infrastructure applications
- Multi-channel wireless local loop systems
- Security encryption systems
- Home entertainment systems
- DSP resource boards
- High-speed modem banks
- IP telephony

Product Documentation

The documents listed in **Table 2** are required for a complete description of the DSP56321 device and are necessary to design properly with the part. Documentation is available from a local Freescale distributor, a Freescale semiconductor sales office, or a Freescale Semiconductor Literature Distribution Center. For documentation updates, visit the Freescale DSP website. See the contact information on the back cover of this document.

Table 2. DSP56321 Documentation

| Name | Description | Order Number |
|----------------------------------|---|----------------------------------|
| <i>DSP56321 Reference Manual</i> | Detailed functional description of the DSP56321 memory configuration, operation, and register programming | DSP56321RM |
| <i>DSP56300 Family Manual</i> | Detailed description of the DSP56300 family processor core and instruction set | DSP56300FM |
| Application Notes | Documents describing specific applications or optimized device operation including code examples | See the DSP56321 product website |

Because of an order from the United States International Trade Commission, BGA-packaged product lines and part numbers indicated here currently are not available from Freescale for import or sale in the United States prior to September 2010: DSP56321VF200, DSP56321VF240, DSP56321VF275, DSP56321VL200, DSP56321VL220, DSP56321VL240, DSP56321VL275



Because of an order from the United States International Trade Commission, BGA-packaged product lines and part numbers indicated here currently are not available from Freescale for import or sale in the United States prior to September 2010: DSP56321VF200, DSP56321VF220, DSP56321VF240, DSP56321VF275, DSP56321VL200, DSP56321VL220, DSP56321VL240, DSP56321VL275

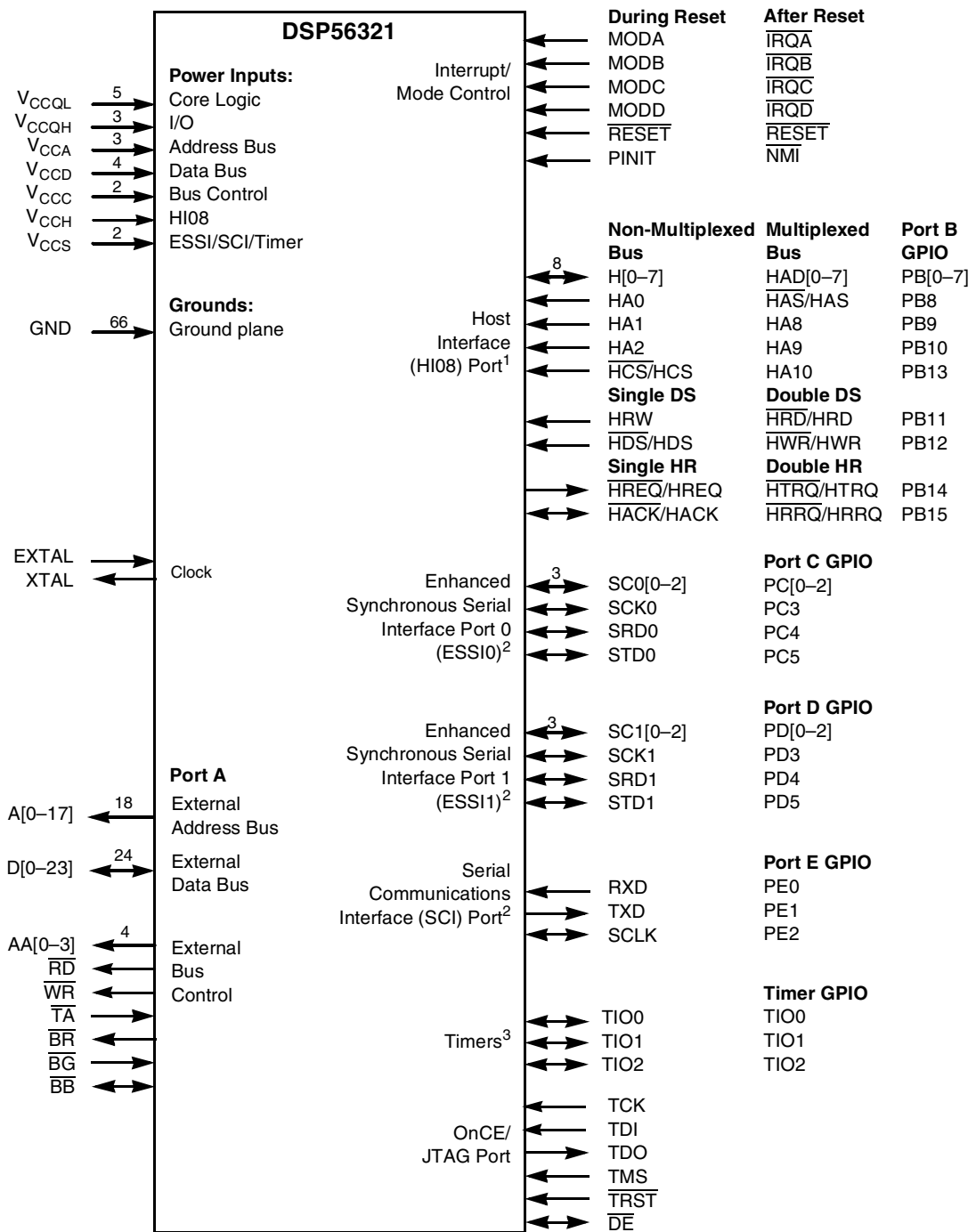
Signals/Connections

The DSP56321 input and output signals are organized into functional groups as shown in **Table 1-1**. **Figure 1-1** diagrams the DSP56321 signals by functional group. The remainder of this chapter describes the signal pins in each functional group.

Table 1-1. DSP56321 Functional Signal Groupings

| Functional Group | | Number of Signals |
|---|----------------------------|-------------------|
| Power (V_{CC}) | | 20 |
| Ground (GND) | | 66 |
| Clock | | 2 |
| Address bus | Port A ¹ | 18 |
| Data bus | | 24 |
| Bus control | | 10 |
| Interrupt and mode control | | 6 |
| Host interface (HI08) | Port B ² | 16 |
| Enhanced synchronous serial interface (ESSI) | Ports C and D ³ | 12 |
| Serial communication interface (SCI) | Port E ⁴ | 3 |
| Timer | | 3 |
| OnCE/JTAG Port | | 6 |
| Notes: <ol style="list-style-type: none"> 1. Port A signals define the external memory interface port, including the external address bus, data bus, and control signals. 2. Port B signals are the HI08 port signals multiplexed with the GPIO signals. 3. Port C and D signals are the two ESSI port signals multiplexed with the GPIO signals. 4. Port E signals are the SCI port signals multiplexed with the GPIO signals. 5. Eight signal lines are not connected internally. These are designated as no connect (NC) in the package description (see Chapter 3). There are also two reserved lines. | | |

Note: This chapter refers to a number of configuration registers used to select individual multiplexed signal functionality. See the *DSP56321 Reference Manual* for details on these configuration registers.



- Notes:**
- The HI08 port supports a non-multiplexed or a multiplexed bus, single or double data strobe (DS), and single or double host request (HR) configurations. Since each of these modes is configured independently, any combination of these modes is possible. These HI08 signals can also be configured alternatively as GPIO signals (PB[0-15]). Signals with dual designations (for example, HAS/HAS) have configurable polarity.
 - The ESSI0, ESSI1, and SCI signals are multiplexed with the Port C GPIO signals (PC[0-5]), Port D GPIO signals (PD[0-5]), and Port E GPIO signals (PE[0-2]), respectively.
 - TIO[0-2] can be configured as GPIO signals.

Figure 1-1. Signals Identified by Functional Group

1.1 Power

Table 1-2. Power Inputs

| Power Name | Description |
|---|--|
| V_{CCQL} | Quiet Core (Low) Power —An isolated power for the core processing and clock logic. This input must be isolated externally from all other chip power inputs. |
| V_{CCQH} | Quiet External (High) Power —A quiet power source for I/O lines. This input must be tied externally to all other chip power inputs, <i>except</i> V_{CCQL} . |
| V_{CCA} | Address Bus Power —An isolated power for sections of the address bus I/O drivers. This input must be tied externally to all other chip power inputs, <i>except</i> V_{CCQL} . |
| V_{CCD} | Data Bus Power —An isolated power for sections of the data bus I/O drivers. This input must be tied externally to all other chip power inputs, <i>except</i> V_{CCQL} . |
| V_{CCC} | Bus Control Power —An isolated power for the bus control I/O drivers. This input must be tied externally to all other chip power inputs, <i>except</i> V_{CCQL} . |
| V_{CCH} | Host Power —An isolated power for the HI08 I/O drivers. This input must be tied externally to all other chip power inputs, <i>except</i> V_{CCQL} . |
| V_{CCS} | ESSI, SCI, and Timer Power —An isolated power for the ESSI, SCI, and timer I/O drivers. This input must be tied externally to all other chip power inputs, <i>except</i> V_{CCQL} . |
| Note: The user must provide adequate external decoupling capacitors for all power connections. | |

1.2 Ground

Table 1-3. Grounds

| Name | Description |
|---|--|
| GND | Ground —Connected to an internal device ground plane. |
| Note: The user must provide adequate external decoupling capacitors for all GND connections. | |

1.3 Clock

Table 1-4. Clock Signals

| Signal Name | Type | State During Reset | Signal Description |
|-------------|--------|--------------------|--|
| EXTAL | Input | Input | External Clock/Crystal Input —Interfaces the internal crystal oscillator input to an external crystal or an external clock. |
| XTAL | Output | Chip-driven | Crystal Output —Connects the internal crystal oscillator output to an external crystal. If an external clock is used, leave XTAL unconnected. |

1.4 External Memory Expansion Port (Port A)

Note: When the DSP56321 enters a low-power standby mode (stop or wait), it releases bus mastership and tri-states the relevant Port A signals: A[0–17], D[0–23], AA[0–3], \overline{RD} , \overline{WR} , \overline{BB} .

1.4.1 External Address Bus

Table 1-5. External Address Bus Signals

| Signal Name | Type | State During Reset, Stop, or Wait | Signal Description |
|-------------|--------|-----------------------------------|---|
| A[0–17] | Output | Tri-stated | Address Bus —When the DSP is the bus master, A[0–17] are active-high outputs that specify the address for external program and data memory accesses. Otherwise, the signals are tri-stated. To minimize power dissipation, A[0–17] do not change state when external memory spaces are not being accessed. |

1.4.2 External Data Bus

Table 1-6. External Data Bus Signals

| Signal Name | Type | State During Reset | State During Stop or Wait | Signal Description |
|-------------|---------------|--------------------|--|---|
| D[0–23] | Input/ Output | Ignored Input | Last state: <i>Input:</i> Ignored <i>Output:</i> Last value | Data Bus —When the DSP is the bus master, D[0–23] are active-high, bidirectional input/outputs that provide the bidirectional data bus for external program and data memory accesses. Otherwise, D[0–23] drivers are tri-stated. If the last state is output, these lines have weak keepers to maintain the last output state if all drivers are tri-stated. |

1.4.3 External Bus Control

Table 1-7. External Bus Control Signals

| Signal Name | Type | State During Reset, Stop, or Wait | Signal Description |
|-----------------|--------|-----------------------------------|--|
| AA[0–3] | Output | Tri-stated | Address Attribute —When defined as AA, these signals can be used as chip selects or additional address lines. The default use defines a priority scheme under which only one AA signal can be asserted at a time. Setting the AA priority disable (APD) bit (Bit 14) of the Operating Mode Register, the priority mechanism is disabled and the lines can be used together as four external lines that can be decoded externally into 16 chip select signals. |
| \overline{RD} | Output | Tri-stated | Read Enable —When the DSP is the bus master, \overline{RD} is an active-low output that is asserted to read external memory on the data bus (D[0–23]). Otherwise, \overline{RD} is tri-stated. |
| \overline{WR} | Output | Tri-stated | Write Enable —When the DSP is the bus master, \overline{WR} is an active-low output that is asserted to write external memory on the data bus (D[0–23]). Otherwise, the signals are tri-stated. |

Table 1-7. External Bus Control Signals (Continued)

| Signal Name | Type | State During Reset, Stop, or Wait | Signal Description |
|-----------------|---------------|---|--|
| \overline{TA} | Input | Ignored Input | <p>Transfer Acknowledge—If the DSP56321 is the bus master and there is no external bus activity, or the DSP56321 is not the bus master, the \overline{TA} input is ignored. The \overline{TA} input is a data transfer acknowledge (DTACK) function that can extend an external bus cycle indefinitely. Any number of wait states (1, 2, . . . infinity) can be added to the wait states inserted by the bus control register (BCR) by keeping \overline{TA} deasserted. In typical operation, \overline{TA} is deasserted at the start of a bus cycle, is asserted to enable completion of the bus cycle, and is deasserted before the next bus cycle. The current bus cycle completes one clock period after \overline{TA} is asserted synchronous to CLKOUT. The number of wait states is determined by the \overline{TA} input or by the BCR, whichever is longer. The BCR can be used to set the minimum number of wait states in external bus cycles.</p> <p>To use the \overline{TA} functionality, the BCR must be programmed to at least one wait state. A zero wait state access cannot be extended by \overline{TA} deassertion; otherwise, improper operation may result.</p> |
| \overline{BR} | Output | Reset: Output (deasserted) State during Stop/Wait depends on BRH bit setting: <ul style="list-style-type: none"> • BRH = 0: Output (deasserted) • BRH = 1: Maintains last state (that is, if asserted, remains asserted) | <p>Bus Request—Asserted when the DSP requests bus mastership. \overline{BR} is deasserted when the DSP no longer needs the bus. \overline{BR} may be asserted or deasserted independently of whether the DSP56321 is a bus master or a bus slave. Bus “parking” allows \overline{BR} to be deasserted even though the DSP56321 is the bus master. (See the description of bus “parking” in the \overline{BB} signal description.) The bus request hold (BRH) bit in the BCR allows \overline{BR} to be asserted under software control even though the DSP does not need the bus. \overline{BR} is typically sent to an external bus arbitrator that controls the priority, parking, and tenure of each master on the same external bus. \overline{BR} is affected only by DSP requests for the external bus, never for the internal bus. During hardware reset, \overline{BR} is deasserted and the arbitration is reset to the bus slave state.</p> |
| \overline{BG} | Input | Ignored Input | <p>Bus Grant—Asserted by an external bus arbitration circuit when the DSP56321 becomes the next bus master. When \overline{BG} is asserted, the DSP56321 must wait until \overline{BB} is deasserted before taking bus mastership. When \overline{BG} is deasserted, bus mastership is typically given up at the end of the current bus cycle. This may occur in the middle of an instruction that requires more than one external bus cycle for execution.</p> <p>To ensure proper operation, the user must set the asynchronous bus arbitration enable (ABE) bit (Bit 13) in the Operating Mode Register. When this bit is set, \overline{BG} and \overline{BB} are synchronized internally. This adds a required delay between the deassertion of an initial \overline{BG} input and the assertion of a subsequent \overline{BG} input.</p> |
| \overline{BB} | Input/ Output | Ignored Input | <p>Bus Busy—Indicates that the bus is active. Only after \overline{BB} is deasserted can the pending bus master become the bus master (and then assert the signal again). The bus master may keep \overline{BB} asserted after ceasing bus activity regardless of whether \overline{BR} is asserted or deasserted. Called “bus parking,” this allows the current bus master to reuse the bus without re-arbitration until another device requires the bus. \overline{BB} is deasserted by an “active pull-up” method (that is, \overline{BB} is driven high and then released and held high by an external pull-up resistor).</p> <p>Notes:</p> <ol style="list-style-type: none"> 1. See \overline{BG} for additional information. 2. \overline{BB} requires an external pull-up resistor. |

Because of an order from the United States International Trade Commission, BGA-packaged product lines and part numbers indicated here currently are not available from Freescale for import or sale in the United States prior to September 2010: DSP56321VF200, DSP56321VF240, DSP56321VF275, DSP56321VL200, DSP56321VL220, DSP56321VL240, DSP56321VL275

1.5 Interrupt and Mode Control

The interrupt and mode control signals select the chip operating mode as it comes out of hardware reset. After $\overline{\text{RESET}}$ is deasserted, these inputs are hardware interrupt request lines.

Table 1-8. Interrupt and Mode Control

| Signal Name | Type | State During Reset | Signal Description |
|---------------------------|-------|-----------------------|--|
| MODA | Input | Schmitt-trigger Input | Mode Select A —MODA, MODB, MODC, and MODD select one of 16 initial chip operating modes, latched into the Operating Mode Register when the $\overline{\text{RESET}}$ signal is deasserted. |
| $\overline{\text{IRQA}}$ | Input | | External Interrupt Request A —After reset, this input becomes a level-sensitive or negative-edge-triggered, maskable interrupt request input during normal instruction processing. If the processor is in the STOP or WAIT standby state and $\overline{\text{IRQA}}$ is asserted, the processor exits the STOP or WAIT state. |
| MODB | Input | Schmitt-trigger Input | Mode Select B —MODA, MODB, MODC, and MODD select one of 16 initial chip operating modes, latched into the Operating Mode Register when the $\overline{\text{RESET}}$ signal is deasserted. |
| $\overline{\text{IRQB}}$ | Input | | External Interrupt Request B —After reset, this input becomes a level-sensitive or negative-edge-triggered, maskable interrupt request input during normal instruction processing. If the processor is in the WAIT standby state and $\overline{\text{IRQB}}$ is asserted, the processor exits the WAIT state. |
| MODC | Input | Schmitt-trigger Input | Mode Select C —MODA, MODB, MODC, and MODD select one of 16 initial chip operating modes, latched into the Operating Mode Register when the $\overline{\text{RESET}}$ signal is deasserted. |
| $\overline{\text{IRQC}}$ | Input | | External Interrupt Request C —After reset, this input becomes a level-sensitive or negative-edge-triggered, maskable interrupt request input during normal instruction processing. If the processor is in the WAIT standby state and $\overline{\text{IRQC}}$ is asserted, the processor exits the WAIT state. |
| MODD | Input | Schmitt-trigger Input | Mode Select D —MODA, MODB, MODC, and MODD select one of 16 initial chip operating modes, latched into the Operating Mode Register when the $\overline{\text{RESET}}$ signal is deasserted. |
| $\overline{\text{IRQD}}$ | Input | | External Interrupt Request D —After reset, this input becomes a level-sensitive or negative-edge-triggered, maskable interrupt request input during normal instruction processing. If the processor is in the WAIT standby state and $\overline{\text{IRQD}}$ is asserted, the processor exits the WAIT state. |
| $\overline{\text{RESET}}$ | Input | Schmitt-trigger Input | Reset —Places the chip in the Reset state and resets the internal phase generator. The Schmitt-trigger input allows a slowly rising input (such as a capacitor charging) to reset the chip reliably. When the $\overline{\text{RESET}}$ signal is deasserted, the initial chip operating mode is latched from the MODA, MODB, MODC, and MODD inputs. The $\overline{\text{RESET}}$ signal must be asserted after powerup. |
| PINIT | Input | Schmitt-trigger Input | PLL Initial —During assertion of $\overline{\text{RESET}}$, the value of PINIT determines whether the DPLL is enabled or disabled. |
| $\overline{\text{NMI}}$ | Input | | Nonmaskable Interrupt —After $\overline{\text{RESET}}$ deassertion and during normal instruction processing, this Schmitt-trigger input is the negative-edge-triggered NMI request. |

Because of an order from the United States International Trade Commission, BGA-packaged product lines and part numbers indicated here currently are not available from Freescale for import or sale in the United States prior to September 2010: DSP56321VF200, DSP56321VF220, DSP56321VF240, DSP56321VF275, DSP56321VL200, DSP56321VL220, DSP56321VL240, DSP56321VL275

1.6 Host Interface (HI08)

The HI08 provides a fast, 8-bit, parallel data port that connects directly to the host bus. The HI08 supports a variety of standard buses and connects directly to a number of industry-standard microcomputers, microprocessors, DSPs, and DMA hardware.

1.6.1 Host Port Usage Considerations

Careful synchronization is required when the system reads multiple-bit registers that are written by another asynchronous system. This is a common problem when two asynchronous systems are connected (as they are in the Host port). The considerations for proper operation are discussed in **Table 1-9**.

Table 1-9. Host Port Usage Considerations

| Action | Description |
|---|--|
| Asynchronous read of receive byte registers | When reading the receive byte registers, Receive register High (RXH), Receive register Middle (RXM), or Receive register Low (RXL), the host interface programmer should use interrupts or poll the Receive register Data Full (RXDF) flag that indicates data is available. This assures that the data in the receive byte registers is valid. |
| Asynchronous write to transmit byte registers | The host interface programmer should not write to the transmit byte registers, Transmit register High (TXH), Transmit register Middle (TXM), or Transmit register Low (TXL), unless the Transmit register Data Empty (TXDE) bit is set indicating that the transmit byte registers are empty. This guarantees that the transmit byte registers transfer valid data to the Host Receive (HRX) register. |
| Asynchronous write to host vector | The host interface programmer must change the Host Vector (HV) register only when the Host Command bit (HC) is clear. This practice guarantees that the DSP interrupt control logic receives a stable vector. |

1.6.2 Host Port Configuration

HI08 signal functions vary according to the programmed configuration of the interface as determined by the 16 bits in the HI08 Port Control Register.

Table 1-10. Host Interface

| Signal Name | Type | State During Reset ^{1,2} | Signal Description |
|-------------|-----------------|-----------------------------------|---|
| H[0–7] | Input/Output | Ignored Input | Host Data —When the HI08 is programmed to interface with a non-multiplexed host bus and the HI function is selected, these signals are lines 0–7 of the bidirectional Data bus. |
| HAD[0–7] | Input/Output | | Host Address —When the HI08 is programmed to interface with a multiplexed host bus and the HI function is selected, these signals are lines 0–7 of the bidirectional multiplexed Address/Data bus. |
| PB[0–7] | Input or Output | | Port B 0–7 —When the HI08 is configured as GPIO through the HI08 Port Control Register, these signals are individually programmed as inputs or outputs through the HI08 Data Direction Register. |

Table 1-10. Host Interface (Continued)

| Signal Name | Type | State During Reset ^{1,2} | Signal Description |
|------------------------------|-----------------|-----------------------------------|--|
| HA0 | Input | Ignored Input | Host Address Input 0 —When the HI08 is programmed to interface with a nonmultiplexed host bus and the HI function is selected, this signal is line 0 of the host address input bus. |
| $\overline{\text{HAS}}$ /HAS | Input | | Host Address Strobe —When the HI08 is programmed to interface with a multiplexed host bus and the HI function is selected, this signal is the host address strobe (HAS) Schmitt-trigger input. The polarity of the address strobe is programmable but is configured active-low ($\overline{\text{HAS}}$) following reset. |
| PB8 | Input or Output | | Port B 8 —When the HI08 is configured as GPIO through the HI08 Port Control Register, this signal is individually programmed as an input or output through the HI08 Data Direction Register. |
| HA1 | Input | Ignored Input | Host Address Input 1 —When the HI08 is programmed to interface with a nonmultiplexed host bus and the HI function is selected, this signal is line 1 of the host address (HA1) input bus. |
| HA8 | Input | | Host Address 8 —When the HI08 is programmed to interface with a multiplexed host bus and the HI function is selected, this signal is line 8 of the host address (HA8) input bus. |
| PB9 | Input or Output | | Port B 9 —When the HI08 is configured as GPIO through the HI08 Port Control Register, this signal is individually programmed as an input or output through the HI08 Data Direction Register. |
| HA2 | Input | Ignored Input | Host Address Input 2 —When the HI08 is programmed to interface with a nonmultiplexed host bus and the HI function is selected, this signal is line 2 of the host address (HA2) input bus. |
| HA9 | Input | | Host Address 9 —When the HI08 is programmed to interface with a multiplexed host bus and the HI function is selected, this signal is line 9 of the host address (HA9) input bus. |
| PB10 | Input or Output | | Port B 10 —When the HI08 is configured as GPIO through the HI08 Port Control Register, this signal is individually programmed as an input or output through the HI08 Data Direction Register. |
| $\overline{\text{HCS}}$ /HCS | Input | Ignored Input | Host Chip Select —When the HI08 is programmed to interface with a nonmultiplexed host bus and the HI function is selected, this signal is the host chip select (HCS) input. The polarity of the chip select is programmable but is configured active-low ($\overline{\text{HCS}}$) after reset. |
| HA10 | Input | | Host Address 10 —When the HI08 is programmed to interface with a multiplexed host bus and the HI function is selected, this signal is line 10 of the host address (HA10) input bus. |
| PB13 | Input or Output | | Port B 13 —When the HI08 is configured as GPIO through the HI08 Port Control Register, this signal is individually programmed as an input or output through the HI08 Data Direction Register. |
| HRW | Input | Ignored Input | Host Read/Write —When the HI08 is programmed to interface with a single-data-strobe host bus and the HI function is selected, this signal is the Host Read/Write (HRW) input. |
| $\overline{\text{HRD}}$ /HRD | Input | | Host Read Data —When the HI08 is programmed to interface with a double-data-strobe host bus and the HI function is selected, this signal is the HRD strobe Schmitt-trigger input. The polarity of the data strobe is programmable but is configured as active-low ($\overline{\text{HRD}}$) after reset. |
| PB11 | Input or Output | | Port B 11 —When the HI08 is configured as GPIO through the HI08 Port Control Register, this signal is individually programmed as an input or output through the HI08 Data Direction Register. |

Because of an order from the United States International Trade Commission, BGA-packaged product lines and part numbers indicated here currently are not available from Freescale for import or sale in the United States prior to September 2010: DSP56321VF200, DSP56321VF240, DSP56321VF275, DSP56321VL200, DSP56321VL220, DSP56321VL240, DSP56321VL275

Table 1-10. Host Interface (Continued)

| Signal Name | Type | State During Reset ^{1,2} | Signal Description |
|--|-----------------|-----------------------------------|---|
| $\overline{\text{HDS}}$ /HDS | Input | Ignored Input | Host Data Strobe —When the HI08 is programmed to interface with a single-data-strobe host bus and the HI function is selected, this signal is the host data strobe (HDS) Schmitt-trigger input. The polarity of the data strobe is programmable but is configured as active-low ($\overline{\text{HDS}}$) following reset. |
| $\overline{\text{HWR}}$ /HWR | Input | | Host Write Data —When the HI08 is programmed to interface with a double-data-strobe host bus and the HI function is selected, this signal is the host write data strobe (HWR) Schmitt-trigger input. The polarity of the data strobe is programmable but is configured as active-low (HWR) following reset. |
| PB12 | Input or Output | | Port B 12 —When the HI08 is configured as GPIO through the HI08 Port Control Register, this signal is individually programmed as an input or output through the HI08 Data Direction Register. |
| $\overline{\text{HREQ}}$ /HREQ | Output | Ignored Input | Host Request —When the HI08 is programmed to interface with a single host request host bus and the HI function is selected, this signal is the host request (HREQ) output. The polarity of the host request is programmable but is configured as active-low ($\overline{\text{HREQ}}$) following reset. The host request may be programmed as a driven or open-drain output. |
| $\overline{\text{HTRQ}}$ /HTRQ | Output | | Transmit Host Request —When the HI08 is programmed to interface with a double host request host bus and the HI function is selected, this signal is the transmit host request (HTRQ) output. The polarity of the host request is programmable but is configured as active-low ($\overline{\text{HTRQ}}$) following reset. The host request may be programmed as a driven or open-drain output. |
| PB14 | Input or Output | | Port B 14 —When the HI08 is configured as GPIO through the HI08 Port Control Register, this signal is individually programmed as an input or output through the HI08 Data Direction Register. |
| $\overline{\text{HACK}}$ /HACK | Input | Ignored Input | Host Acknowledge —When the HI08 is programmed to interface with a single host request host bus and the HI function is selected, this signal is the host acknowledge (HACK) Schmitt-trigger input. The polarity of the host acknowledge is programmable but is configured as active-low ($\overline{\text{HACK}}$) after reset. |
| $\overline{\text{HRRQ}}$ /HRRQ | Output | | Receive Host Request —When the HI08 is programmed to interface with a double host request host bus and the HI function is selected, this signal is the receive host request (HRRQ) output. The polarity of the host request is programmable but is configured as active-low ($\overline{\text{HRRQ}}$) after reset. The host request may be programmed as a driven or open-drain output. |
| PB15 | Input or Output | | Port B 15 —When the HI08 is configured as GPIO through the HI08 Port Control Register, this signal is individually programmed as an input or output through the HI08 Data Direction Register. |
| Notes: <ol style="list-style-type: none"> In the Stop state, the signal maintains the last state as follows: <ul style="list-style-type: none"> If the last state is input, the signal is an ignored input. If the last state is output, these lines have weak keepers that maintain the last output state even if the drivers are tri-stated. The Wait processing state does not affect the signal state. | | | |

1.7 Enhanced Synchronous Serial Interface 0 (ESSIO)

Two synchronous serial interfaces (ESSIO and ESSII) provide a full-duplex serial port for serial communication with a variety of serial devices, including one or more industry-standard codecs, other DSPs, microprocessors, and peripherals that implement the Freescale serial peripheral interface (SPI).

Table 1-11. Enhanced Synchronous Serial Interface 0

| Signal Name | Type | State During Reset ^{1,2} | Signal Description |
|-------------|-----------------|-----------------------------------|--|
| SC00 | Input or Output | Ignored Input | Serial Control 0 —For asynchronous mode, this signal is used for the receive clock I/O (Schmitt-trigger input). For synchronous mode, this signal is used either for transmitter 1 output or for serial I/O flag 0. |
| PC0 | Input or Output | | Port C 0 —The default configuration following reset is GPIO input PC0. When configured as PC0, signal direction is controlled through the Port C Direction Register. The signal can be configured as ESSI signal SC00 through the Port C Control Register. |
| SC01 | Input/Output | Ignored Input | Serial Control 1 —For asynchronous mode, this signal is the receiver frame sync I/O. For synchronous mode, this signal is used either for transmitter 2 output or for serial I/O flag 1. |
| PC1 | Input or Output | | Port C 1 —The default configuration following reset is GPIO input PC1. When configured as PC1, signal direction is controlled through the Port C Direction Register. The signal can be configured as an ESSI signal SC01 through the Port C Control Register. |
| SC02 | Input/Output | Ignored Input | Serial Control Signal 2 —The frame sync for both the transmitter and receiver in synchronous mode, and for the transmitter only in asynchronous mode. When configured as an output, this signal is the internally generated frame sync signal. When configured as an input, this signal receives an external frame sync signal for the transmitter (and the receiver in synchronous operation). |
| PC2 | Input or Output | | Port C 2 —The default configuration following reset is GPIO input PC2. When configured as PC2, signal direction is controlled through the Port C Direction Register. The signal can be configured as an ESSI signal SC02 through the Port C Control Register. |
| SCK0 | Input/Output | Ignored Input | Serial Clock —Provides the serial bit rate clock for the ESSI. The SCK0 is a clock input or output, used by both the transmitter and receiver in synchronous modes or by the transmitter in asynchronous modes. Although an external serial clock can be independent of and asynchronous to the DSP system clock, it must exceed the minimum clock cycle time of 6T (that is, the system clock frequency must be at least three times the external ESSI clock frequency). The ESSI needs at least three DSP phases inside each half of the serial clock. |
| PC3 | Input or Output | | Port C 3 —The default configuration following reset is GPIO input PC3. When configured as PC3, signal direction is controlled through the Port C Direction Register. The signal can be configured as an ESSI signal SCK0 through the Port C Control Register. |
| SRD0 | Input | Ignored Input | Serial Receive Data —Receives serial data and transfers the data to the ESSI Receive Shift Register. SRD0 is an input when data is received. |
| PC4 | Input or Output | | Port C 4 —The default configuration following reset is GPIO input PC4. When configured as PC4, signal direction is controlled through the Port C Direction Register. The signal can be configured as an ESSI signal SRD0 through the Port C Control Register. |

Table 1-11. Enhanced Synchronous Serial Interface 0 (Continued)

| Signal Name | Type | State During Reset ^{1,2} | Signal Description |
|--|-----------------|-----------------------------------|--|
| STD0 | Output | Ignored Input | Serial Transmit Data —Transmits data from the Serial Transmit Shift Register. STD0 is an output when data is transmitted. |
| PC5 | Input or Output | | Port C 5 —The default configuration following reset is GPIO input PC5. When configured as PC5, signal direction is controlled through the Port C Direction Register. The signal can be configured as an ESSI signal STD0 through the Port C Control Register. |
| Notes: <ol style="list-style-type: none"> In the Stop state, the signal maintains the last state as follows: <ul style="list-style-type: none"> If the last state is input, the signal is an ignored input. If the last state is output, these lines have weak keepers that maintain the last output state even if the drivers are tri-stated. The Wait processing state does not affect the signal state. | | | |

1.8 Enhanced Synchronous Serial Interface 1 (ESSI1)

Table 1-12. Enhanced Serial Synchronous Interface 1

| Signal Name | Type | State During Reset ^{1,2} | Signal Description |
|-------------|-----------------|-----------------------------------|---|
| SC10 | Input or Output | Ignored Input | Serial Control 0 —For asynchronous mode, this signal is used for the receive clock I/O (Schmitt-trigger input). For synchronous mode, this signal is used either for transmitter 1 output or for serial I/O flag 0. |
| PD0 | Input or Output | | Port D 0 —The default configuration following reset is GPIO input PD0. When configured as PD0, signal direction is controlled through the Port D Direction Register. The signal can be configured as an ESSI signal SC10 through the Port D Control Register. |
| SC11 | Input/Output | Ignored Input | Serial Control 1 —For asynchronous mode, this signal is the receiver frame sync I/O. For synchronous mode, this signal is used either for Transmitter 2 output or for Serial I/O Flag 1. |
| PD1 | Input or Output | | Port D 1 —The default configuration following reset is GPIO input PD1. When configured as PD1, signal direction is controlled through the Port D Direction Register. The signal can be configured as an ESSI signal SC11 through the Port D Control Register. |
| SC12 | Input/Output | Ignored Input | Serial Control Signal 2 —The frame sync for both the transmitter and receiver in synchronous mode and for the transmitter only in asynchronous mode. When configured as an output, this signal is the internally generated frame sync signal. When configured as an input, this signal receives an external frame sync signal for the transmitter (and the receiver in synchronous operation). |
| PD2 | Input or Output | | Port D 2 —The default configuration following reset is GPIO input PD2. When configured as PD2, signal direction is controlled through the Port D Direction Register. The signal can be configured as an ESSI signal SC12 through the Port D Control Register. |

Table 1-12. Enhanced Serial Synchronous Interface 1 (Continued)

| Signal Name | Type | State During Reset ^{1,2} | Signal Description |
|---|-----------------|-----------------------------------|--|
| SCK1 | Input/Output | Ignored Input | <p>Serial Clock—Provides the serial bit rate clock for the ESSI. The SCK1 is a clock input or output used by both the transmitter and receiver in synchronous modes or by the transmitter in asynchronous modes.</p> <p>Although an external serial clock can be independent of and asynchronous to the DSP system clock, it must exceed the minimum clock cycle time of 6T (that is, the system clock frequency must be at least three times the external ESSI clock frequency). The ESSI needs at least three DSP phases inside each half of the serial clock.</p> <p>Port D 3—The default configuration following reset is GPIO input PD3. When configured as PD3, signal direction is controlled through the Port D Direction Register. The signal can be configured as an ESSI signal SCK1 through the Port D Control Register.</p> |
| PD3 | Input or Output | | |
| SRD1 | Input | Ignored Input | <p>Serial Receive Data—Receives serial data and transfers the data to the ESSI Receive Shift Register. SRD1 is an input when data is being received.</p> <p>Port D 4—The default configuration following reset is GPIO input PD4. When configured as PD4, signal direction is controlled through the Port D Direction Register. The signal can be configured as an ESSI signal SRD1 through the Port D Control Register.</p> |
| PD4 | Input or Output | | |
| STD1 | Output | Ignored Input | <p>Serial Transmit Data—Transmits data from the Serial Transmit Shift Register. STD1 is an output when data is being transmitted.</p> <p>Port D 5—The default configuration following reset is GPIO input PD5. When configured as PD5, signal direction is controlled through the Port D Direction Register. The signal can be configured as an ESSI signal STD1 through the Port D Control Register.</p> |
| PD5 | Input or Output | | |
| <p>Notes:</p> <ol style="list-style-type: none"> In the Stop state, the signal maintains the last state as follows: <ul style="list-style-type: none"> If the last state is input, the signal is an ignored input. If the last state is output, these lines have weak keepers that maintain the last output state even if the drivers are tri-stated. The Wait processing state does not affect the signal state. | | | |

1.9 Serial Communication Interface (SCI)

The SCI provides a full duplex port for serial communication with other DSPs, microprocessors, or peripherals such as modems.

Table 1-13. Serial Communication Interface

| Signal Name | Type | State During Reset ^{1,2} | Signal Description |
|-------------|-----------------|-----------------------------------|---|
| RXD | Input | Ignored Input | <p>Serial Receive Data—Receives byte-oriented serial data and transfers it to the SCI Receive Shift Register.</p> <p>Port E 0—The default configuration following reset is GPIO input PE0. When configured as PE0, signal direction is controlled through the Port E Direction Register. The signal can be configured as an SCI signal RXD through the Port E Control Register.</p> |
| PE0 | Input or Output | | |
| TXD | Output | Ignored Input | <p>Serial Transmit Data—Transmits data from the SCI Transmit Data Register.</p> <p>Port E 1—The default configuration following reset is GPIO input PE1. When configured as PE1, signal direction is controlled through the Port E Direction Register. The signal can be configured as an SCI signal TXD through the Port E Control Register.</p> |
| PE1 | Input or Output | | |

Table 1-13. Serial Communication Interface (Continued)

| Signal Name | Type | State During Reset ^{1,2} | Signal Description |
|--|-----------------|-----------------------------------|---|
| SCLK | Input/Output | Ignored Input | Serial Clock —Provides the input or output clock used by the transmitter and/or the receiver. |
| PE2 | Input or Output | | Port E 2 —The default configuration following reset is GPIO input PE2. When configured as PE2, signal direction is controlled through the Port E Direction Register. The signal can be configured as an SCI signal SCLK through the Port E Control Register. |
| Notes: <ol style="list-style-type: none"> In the Stop state, the signal maintains the last state as follows: <ul style="list-style-type: none"> If the last state is input, the signal is an ignored input. If the last state is output, these lines have weak keepers that maintain the last output state even if the drivers are tri-stated. The Wait processing state does not affect the signal state. | | | |

1.10 Timers

The DSP56321 has three identical and independent timers. Each timer can use internal or external clocking and can either interrupt the DSP56321 after a specified number of events (clocks) or signal an external device after counting a specific number of internal events.

Table 1-14. Triple Timer Signals

| Signal Name | Type | State During Reset ^{1,2} | Signal Description |
|--|-----------------|-----------------------------------|--|
| TIO0 | Input or Output | Ignored Input | <p>Timer 0 Schmitt-Trigger Input/Output— When Timer 0 functions as an external event counter or in measurement mode, TIO0 is used as input. When Timer 0 functions in watchdog, timer, or pulse modulation mode, TIO0 is used as output.</p> <p>The default mode after reset is GPIO input. TIO0 can be changed to output or configured as a timer I/O through the Timer 0 Control/Status Register (TCSR0).</p> |
| TIO1 | Input or Output | Ignored Input | <p>Timer 1 Schmitt-Trigger Input/Output— When Timer 1 functions as an external event counter or in measurement mode, TIO1 is used as input. When Timer 1 functions in watchdog, timer, or pulse modulation mode, TIO1 is used as output.</p> <p>The default mode after reset is GPIO input. TIO1 can be changed to output or configured as a timer I/O through the Timer 1 Control/Status Register (TCSR1).</p> |
| TIO2 | Input or Output | Ignored Input | <p>Timer 2 Schmitt-Trigger Input/Output— When Timer 2 functions as an external event counter or in measurement mode, TIO2 is used as input. When Timer 2 functions in watchdog, timer, or pulse modulation mode, TIO2 is used as output.</p> <p>The default mode after reset is GPIO input. TIO2 can be changed to output or configured as a timer I/O through the Timer 2 Control/Status Register (TCSR2).</p> |
| Notes: <ol style="list-style-type: none"> In the Stop state, the signal maintains the last state as follows: <ul style="list-style-type: none"> If the last state is input, the signal is an ignored input. If the last state is output, these lines have weak keepers that maintain the last output state even if the drivers are tri-stated. The Wait processing state does not affect the signal state. | | | |

1.11 JTAG and OnCE Interface

The DSP56300 family and in particular the DSP56321 support circuit-board test strategies based on the **IEEE® Std. 1149.1™** test access port and boundary scan architecture, the industry standard developed under the sponsorship of the Test Technology Committee of IEEE and the JTAG. The OnCE module provides a means to interface nonintrusively with the DSP56300 core and its peripherals so that you can examine registers, memory, or on-chip peripherals. Functions of the OnCE module are provided through the JTAG TAP signals. For programming models, see the chapter on debugging support in the *DSP56300 Family Manual*.

Table 1-15. JTAG/OnCE Interface

| Signal Name | Type | State During Reset | Signal Description |
|--------------------------|---------------|--------------------|--|
| TCK | Input | Input | Test Clock —A test clock input signal to synchronize the JTAG test logic. |
| TDI | Input | Input | Test Data Input —A test data serial input signal for test instructions and data. TDI is sampled on the rising edge of TCK and has an internal pull-up resistor. |
| TDO | Output | Tri-stated | Test Data Output —A test data serial output signal for test instructions and data. TDO is actively driven in the shift-IR and shift-DR controller states. TDO changes on the falling edge of TCK. |
| TMS | Input | Input | Test Mode Select —Sequences the test controller's state machine. TMS is sampled on the rising edge of TCK and has an internal pull-up resistor. |
| $\overline{\text{TRST}}$ | Input | Input | Test Reset —Initializes the test controller asynchronously. $\overline{\text{TRST}}$ has an internal pull-up resistor. $\overline{\text{TRST}}$ must be asserted during and after power-up (see EB610/D for details). |
| $\overline{\text{DE}}$ | Input/ Output | Input | <p>Debug Event—As an input, initiates Debug mode from an external command controller, and, as an open-drain output, acknowledges that the chip has entered Debug mode. As an input, $\overline{\text{DE}}$ causes the DSP56300 core to finish executing the current instruction, save the instruction pipeline information, enter Debug mode, and wait for commands to be entered from the debug serial input line. This signal is asserted as an output for three clock cycles when the chip enters Debug mode as a result of a debug request or as a result of meeting a breakpoint condition. The $\overline{\text{DE}}$ has an internal pull-up resistor.</p> <p>This signal is not a standard part of the JTAG TAP controller. The signal connects directly to the OnCE module to initiate debug mode directly or to provide a direct external indication that the chip has entered Debug mode. All other interface with the OnCE module must occur through the JTAG port.</p> |

Because of an order from the United States International Trade Commission, BGA-packaged product lines and part numbers indicated here currently are not available from Freescale for import or sale in the United States prior to September 2010: DSP56321VF200, DSP56321VF240, DSP56321VF275, DSP56321VL200, DSP56321VL220, DSP56321VL240, DSP56321VL275

Specifications

The DSP56321 is fabricated in high-density CMOS with Transistor-Transistor Logic (TTL) compatible inputs and outputs.

2.1 Maximum Ratings

CAUTION

This device contains circuitry protecting against damage due to high static voltage or electrical fields; however, normal precautions should be taken to avoid exceeding maximum voltage ratings. Reliability is enhanced if unused inputs are tied to an appropriate logic voltage level (for example, either GND or V_{CC}).

In the calculation of timing requirements, adding a maximum value of one specification to a minimum value of another specification does not yield a reasonable sum. A maximum specification is calculated using a worst case variation of process parameter values in one direction. The minimum specification is calculated using the worst case for the same parameters in the opposite direction. Therefore, a “maximum” value for a specification never occurs in the same device that has a “minimum” value for another specification; adding a maximum to a minimum represents a condition that can never exist.

Table 2-1. Absolute Maximum Ratings

| Rating ¹ | Symbol | Value ^{1,2} | Unit |
|--|---|-------------------------------|------|
| Supply Voltage ³ | V_{CCQL} | -0.1 to 2.25 | V |
| Input/Output Supply Voltage ³ | V_{CCQH} | -0.3 to 4.35 | V |
| All input voltages | V_{IN} | GND - 0.3 to $V_{CCQH} + 0.3$ | V |
| Current drain per pin excluding V_{CC} and GND | I | 10 | mA |
| Operating temperature range | T_J | -40 to +100 | °C |
| Storage temperature | T_{STG} | -55 to +150 | °C |
| Notes: | <ol style="list-style-type: none"> 1. GND = 0 V, $V_{CCQL} = 1.6 \text{ V} \pm 0.1 \text{ V}$, $V_{CCQH} = 3.3 \text{ V} \pm 0.3 \text{ V}$, $T_J = -40^\circ\text{C}$ to $+100^\circ\text{C}$, $CL = 50 \text{ pF}$ 2. Absolute maximum ratings are stress ratings only, and functional operation at the maximum is not guaranteed. Stress beyond the maximum rating may affect device reliability or cause permanent damage to the device. 3. Power-up sequence: During power-up, and throughout the DSP56321 operation, V_{CCQH} voltage must always be higher or equal to V_{CCQL} voltage. | | |

2.2 Thermal Characteristics

Table 2-2. Thermal Characteristics

| Thermal Resistance Characteristic | Symbol | MAP-BGA Value | Unit |
|---|------------------|---------------|-----------------------------|
| Junction-to-ambient, natural convection, single-layer board (1s) ^{1,2} | $R_{\theta JA}$ | 44 | $^{\circ}\text{C}/\text{W}$ |
| Junction-to-ambient, natural convection, four-layer board (2s2p) ^{1,3} | $R_{\theta JMA}$ | 25 | $^{\circ}\text{C}/\text{W}$ |
| Junction-to-ambient, @200 ft/min air flow, single-layer board (1s) ^{1,3} | $R_{\theta JMA}$ | 35 | $^{\circ}\text{C}/\text{W}$ |
| Junction-to-ambient, @200 ft/min air flow, four-layer board (2s2p) ^{1,3} | $R_{\theta JMA}$ | 22 | $^{\circ}\text{C}/\text{W}$ |
| Junction-to-board ⁴ | $R_{\theta JB}$ | 13 | $^{\circ}\text{C}/\text{W}$ |
| Junction-to-case thermal resistance ⁵ | $R_{\theta JC}$ | 7 | $^{\circ}\text{C}/\text{W}$ |
| Notes: <ol style="list-style-type: none"> Junction temperature is a function of die size, on-chip power dissipation, package thermal resistance, mounting site (board) temperature, ambient temperature, air flow, power dissipation of other components on the board, and board thermal resistance. Per SEMI G38-87 and JEDEC JESD51-2 with the single-layer board horizontal. Per JEDEC JESD51-6 with the board horizontal. Thermal resistance between the die and the printed circuit board per JEDEC JESD51-8. Board temperature is measured on the top surface of the board near the package. Thermal resistance between the die and the case top surface as measured by the cold plate method (MIL SPEC-883 Method 1012.1). | | | |

2.3 DC Electrical Characteristics

Table 2-3. DC Electrical Characteristics⁷

| Characteristics | Symbol | Min | Typ | Max | Unit |
|--|-----------|-----------------------|-----|-----------------------|---------------|
| Supply voltage ¹ : | | | | | |
| • Core (V_{CCQL}) | | 1.5 | 1.6 | 1.7 | V |
| • I/O (V_{CCQH} , V_{CCA} , V_{CCD} , V_{CCC} , V_{CCH} , and V_{CCS}) | | 3.0 | 3.3 | 3.6 | V |
| Input high voltage | | | | | |
| • D[0–23], \overline{BG} , \overline{BB} , \overline{TA} | V_{IH} | 2.0 | — | $V_{CCQH} + 0.3$ | V |
| • MOD/ \overline{IRQ}^2 \overline{RESET} , \overline{PINIT} / \overline{NM} and all JTAG/ESSI/SCI/Timer/HI08 pins | V_{IHP} | 2.0 | — | $V_{CCQH} + 0.3$ | V |
| • EXTAL ⁹ | V_{IHx} | $0.8 \times V_{CCQH}$ | — | V_{CCQH} | V |
| Input low voltage | | | | | |
| • D[0–23], \overline{BG} , \overline{BB} , \overline{TA} , MOD/ \overline{IRQ}^2 , \overline{RESET} , \overline{PINIT} | V_{IL} | –0.3 | — | 0.8 | V |
| • All JTAG/ESSI/SCI/Timer/HI08 pins | V_{ILP} | –0.3 | — | 0.8 | V |
| • EXTAL ⁹ | V_{ILx} | –0.3 | — | $0.2 \times V_{CCQH}$ | V |
| Input leakage current | I_{IN} | –10 | — | 10 | μA |
| High impedance (off-state) input current (@ 2.4 V / 0.4 V) | I_{TSI} | –10 | — | 10 | μA |
| Output high voltage ⁸ | V_{OH} | | | | |
| • TTL ($I_{OH} = -0.4 \text{ mA}$) ⁶ | | 2.4 | — | — | V |
| • CMOS ($I_{OH} = -10 \mu\text{A}$) ⁶ | | $V_{CCQH} - 0.01$ | — | — | V |
| Output low voltage ⁸ | V_{OL} | | | | |
| • TTL ($I_{OL} = 3.0 \text{ mA}$) ⁶ | | — | — | 0.4 | V |
| • CMOS ($I_{OL} = 10 \mu\text{A}$) ⁶ | | — | — | 0.01 | V |

Table 2-3. DC Electrical Characteristics⁷

| Characteristics | Symbol | Min | Typ | Max | Unit |
|--------------------------------|--|-----|-----|-----|------|
| Internal supply current: | | | | | |
| • In Normal mode ³ | I_{CCI} | — | 190 | — | mA |
| — at 200 MHz | | — | 200 | — | mA |
| — at 240 MHz | | — | 210 | — | mA |
| — at 275 MHz | | — | 235 | — | mA |
| • In Wait mode ⁴ | I_{CCW} | — | 25 | — | mA |
| • In Stop mode ⁵ | I_{CCS} | — | 15 | — | mA |
| Input capacitance ⁶ | C_{IN} | — | — | 10 | pF |
| Notes: | <ol style="list-style-type: none"> Power-up sequence: During power-up, and throughout the DSP56321 operation, V_{CCQH} voltage must always be higher or equal to V_{CCQL} voltage. Refers to $\overline{MODA}/\overline{IRQA}$, $\overline{MODB}/\overline{IRQB}$, $\overline{MODC}/\overline{IRQC}$, and $\overline{MODD}/\overline{IRQD}$ pins. Section 4.3 provides a formula to compute the estimated current requirements in Normal mode. To obtain these results, all inputs must be terminated (that is, not allowed to float). Measurements are based on synthetic intensive DSP benchmarks (see Appendix A). The power consumption numbers in this specification are 90 percent of the measured results of this benchmark. This reflects typical DSP applications. To obtain these results, all inputs must be terminated (that is, not allowed to float). To obtain these results, all inputs not disconnected at Stop mode must be terminated (that is, not allowed to float), and the DPLL and on-chip crystal oscillator must be disabled. Periodically sampled and not 100 percent tested. $V_{CCQH} = 3.3 \text{ V} \pm 0.3 \text{ V}$, $V_{CCQL} = 1.6 \text{ V} \pm 0.1 \text{ V}$; $T_J = -40^\circ\text{C}$ to $+100^\circ\text{C}$, $C_L = 50 \text{ pF}$ This characteristic does not apply to XTAL. Driving EXTAL to the low V_{IHx} or the high V_{ILx} value may cause additional power consumption (DC current). To minimize power consumption, the minimum V_{IHx} should be no lower than $0.9 \times V_{CCQH}$ and the maximum V_{ILx} should be no higher than $0.1 \times V_{CCQH}$. | | | | |

2.4 AC Electrical Characteristics

The timing waveforms shown in the AC electrical characteristics section are tested with a V_{IL} maximum of 0.3 V and a V_{IH} minimum of 2.4 V for all pins except EXTAL, which is tested using the input levels shown in Notes 7 and 9 of the previous table. AC timing specifications, which are referenced to a device input signal, are measured in production with respect to the 50 percent point of the respective input signal's transition. DSP56321 output levels are measured with the production test machine V_{OL} and V_{OH} reference levels set at 0.4 V and 2.4 V, respectively.

Note: Although the minimum value for the frequency of EXTAL is 0 MHz, the device AC test conditions are 16 MHz and rated speed with the DPLL enabled.

2.4.1 Internal Clocks

Table 2-4. Internal Clocks

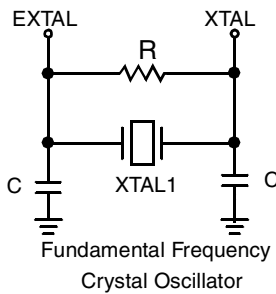
| Characteristics | Symbol | Expression | | |
|------------------------------|--------|-------------------|----------------------------------|-------------------|
| | | Min | Typ | Max |
| Internal operating frequency | f | | | |
| • With DPLL disabled | | — | $Ef/2$ | — |
| • With DPLL enabled | | — | $(Ef \times MF)/(PDF \times DF)$ | — |
| Internal clock cycle time | T_C | | | |
| • With DPLL disabled | | — | $2 \times ET_C$ | — |
| • With DPLL enabled | | — | $ET_C \times PDF \times DF/MF$ | — |
| Internal clock high period | T_H | | | |
| • With DPLL disabled | | — | ET_C | — |
| • With DPLL enabled | | $0.49 \times T_C$ | — | $0.51 \times T_C$ |

Table 2-4. Internal Clocks (Continued)

| Characteristics | Symbol | Expression | | |
|--|--------|------------------------|-------------|------------------------|
| | | Min | Typ | Max |
| Internal clock low period <ul style="list-style-type: none"> • With DPLL disabled • With DPLL enabled | T_L | — $0.49 \times T_C$ | ET_C — | — $0.51 \times T_C$ |
| Note: Ef = External frequency; MF = Multiplication Factor = MFI + MFN/MFD; PDF = Predivision Factor; DF = Division Factor; T_C = Internal clock cycle; ET_C = External clock cycle; T_H = Internal clock high; T_L = Internal clock low | | | | |

2.4.2 External Clock Operation

The DSP56321 system clock is derived from the on-chip oscillator or is externally supplied. To use the on-chip oscillator, connect a crystal and associated resistor/capacitor components to EXTAL and XTAL; an example is shown in **Figure 2-1**.



Suggested Component Values:

$f_{OSC} = 16\text{--}32\text{ MHz}$
 $R = 1\text{ M}\Omega \pm 10\%$
 $C = 10\text{ pF} \pm 10\%$

Calculations are for a 16–32 MHz crystal with the following parameters:

- shunt capacitance (C_0) of 5.2–7.3 pF,
- series resistance of 5–15 Ω and
- drive level of 2 mW.

Note: Make sure that in the PCTL Register:

- XTLD (bit 2) = 0

Figure 2-1. Crystal Oscillator Circuits

Table 2-5. External Clock Operation

| No. | Characteristics | Symbol | 200 MHz | | 220 MHz | | 240 MHz | | 275 MHz | |
|-----|--|-----------------------------------|-----------------|--------------------|-----------------|--------------------|-----------------|--------------------|-----------------|--------------------|
| | | | Min | Max | Min | Max | Min | Max | Min | Max |
| 1 | Frequency of EXTAL (EXTAL Pin Frequency) ¹ <ul style="list-style-type: none"> • With DPLL disabled • With DPLL enabled² | E_f $DEFR = PDF \times PDFR$ | 0 MHz 16 MHz | 200 MHz 200 MHz | 0 MHz 16 MHz | 220 MHz 220 MHz | 0 MHz 16 MHz | 240 MHz 240 MHz | 0 MHz 16 MHz | 275 MHz 275 MHz |
| 2 | EXTAL input high ³ <ul style="list-style-type: none"> • With DPLL disabled (46.7%–53.3% duty cycle⁴) • With DPLL enabled (42.5%–57.5% duty cycle⁴) | ET_H | 2.34 ns | ∞ | 2.12 ns | ∞ | 1.95 ns | ∞ | 1.70 ns | ∞ |
| | | | 2.13 ns | 35.9 ns | 1.93 ns | 35.9 ns | 1.77 ns | 35.9 ns | 1.55 ns | 35.9 ns |
| 3 | EXTAL input low ⁴ <ul style="list-style-type: none"> • With DPLL disabled (46.7%–53.3% duty cycle⁴) • With DPLL enabled (42.5%–57.5% duty cycle⁴) | ET_L | 2.34 ns | ∞ | 2.12 ns | ∞ | 1.95 ns | ∞ | 1.70 ns | ∞ |
| | | | 2.13 ns | 35.9 ns | 1.93 ns | 35.9 ns | 1.77 ns | 35.9 ns | 1.55 ns | 35.9 ns |

Table 2-5. External Clock Operation (Continued)

| No. | Characteristics | Symbol | 200 MHz | | 220 MHz | | 240 MHz | | 275 MHz | |
|-----|---|------------------|---------|---------|---------|---------|---------|---------|---------|---------|
| | | | Min | Max | Min | Max | Min | Max | Min | Max |
| 4 | EXTAL cycle time ³ • With DPLL disabled • With DPLL enabled | ET _C | 5.0 ns | ∞ | 4.55 ns | ∞ | 4.17 ns | ∞ | 3.64 ns | ∞ |
| | | | 5.0 ns | 62.5 ns | 4.55 ns | 62.5 ns | 4.17 ns | 62.5 ns | 3.64 ns | 62.5 ns |
| 7 | Instruction cycle time = I _{CYC} = ET _C • With DPLL disabled • With DPLL enabled | I _{CYC} | 10 ns | ∞ | 9.09 ns | ∞ | 8.33 ns | ∞ | 7.28 ns | ∞ |
| | | | 5.0 ns | 1.6 μs | 4.55 ns | 1.6 μs | 4.17 ns | 1.6 μs | 3.64 ns | 1.6 μs |

Notes:

1. The rise and fall time of this external clock should be 2 ns maximum.
2. Refer to **Table 2-6** for a description of PDF and PDFR.
3. Measured at 50 percent of the input transition.
4. The indicated duty cycle is for the specified maximum frequency for which a part is rated. The minimum clock high or low time required for correction operation, however, remains the same at lower operating frequencies; therefore, when a lower clock frequency is used, the signal symmetry may vary from the specified duty cycle as long as the minimum high time and low time requirements are met.

Note: If an externally-supplied square wave voltage source is used, disable the internal oscillator circuit after boot-up by setting XTLD (PCTL Register bit 2 = 1—see the *DSP56321 Reference Manual*). The external square wave source connects to EXTAL and XTAL is not used. **Figure 2-2** shows the EXTAL input signal.

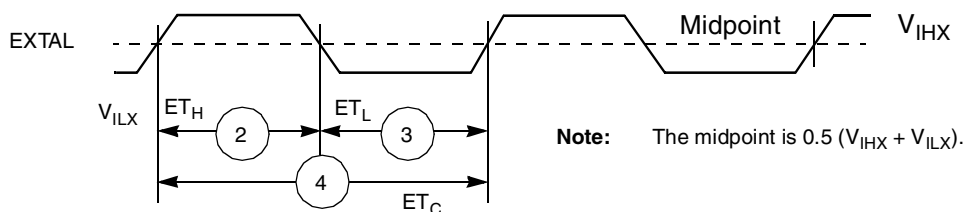


Figure 2-2. External Input Clock Timing

2.4.3 Clock Generator (CLKGEN) and Digital PLL (DPLL) Characteristics

Table 2-6. CLKGEN and DPLL Characteristics

| Characteristics | Symbol | 200 MHz | | 220 MHz | | 240 MHz | | 275 MHz | | Unit |
|--|------------------|------------------|------------------|------------------|------------------|------------------|------------------|------------------|------------------|------|
| | | Min | Max | Min | Max | Min | Max | Min | Max | |
| Predivision factor | PDF ¹ | 1 | 16 | 1 | 16 | 1 | 16 | 1 | 16 | — |
| Predivider output clock frequency range | PDFR | 16 | 32 | 16 | 32 | 16 | 32 | 16 | 32 | MHz |
| Total multiplication factor ² | MF | 5 | 15 | 5 | 15 | 5 | 15 | 5 | 15 | — |
| Multiplication factor integer part | MF1 ¹ | 5 | 15 | 5 | 15 | 5 | 15 | 5 | 15 | — |
| Multiplication factor numerator ³ | MFN | 0 | 127 | 0 | 127 | 0 | 127 | 0 | 127 | — |
| Multiplication factor denominator | MFD | 1 | 128 | 1 | 128 | 1 | 128 | 1 | 128 | — |
| Double clock frequency range | DDFR | 160 | 400 | 160 | 440 | 160 | 480 | 160 | 550 | MHz |
| Phase lock-in time ⁴ | DPLT | 6.8 ⁵ | 150 ⁶ | 6.8 ⁵ | 150 ⁶ | 6.8 ⁵ | 150 ⁶ | 6.8 ⁵ | 150 ⁶ | μs |

Table 2-6. CLKGEN and DPLL Characteristics (Continued)

| Characteristics | Symbol | 200 MHz | | 220 MHz | | 240 MHz | | 275 MHz | | Unit |
|---|--------|---------|-----|---------|-----|---------|-----|---------|-----|------|
| | | Min | Max | Min | Max | Min | Max | Min | Max | |
| Notes: <ol style="list-style-type: none"> 1. Refer to the <i>DSP56321 User's Manual</i> for a detailed description of register reset values. 2. The total multiplication factor (MF) includes both integer and fractional parts (that is, MF = MFI + MFN/MFD). 3. The numerator (MFN) should be less than the denominator (MFD). 4. DPLL lock procedure duration is specified for the case when an external clock source is supplied to the EXTAL pin. 5. Frequency-only Lock Mode or non-integer MF, after partial reset. 6. Frequency and Phase Lock Mode, integer MF, after full reset. | | | | | | | | | | |

2.4.4 Reset, Stop, Mode Select, and Interrupt Timing

Table 2-7. Reset, Stop, Mode Select, and Interrupt Timing⁵

| No. | Characteristics | Expression | 200 MHz | | 220 MHz | | 240 MHz | | 275 MHz | | Unit | |
|---------------------------|---|---|---|-------------------------|---------|--------|---------|--------|---------|--------|---------------|----|
| | | | Min | Max | Min | Max | Min | Max | Min | Max | | |
| 8 | Delay from $\overline{\text{RESET}}$ assertion to all pins at reset value ³ | — | — | 26 | — | 26 | — | 26 | — | 26 | ns | |
| 9 | Required $\overline{\text{RESET}}$ duration ⁴ | $50 \times \text{ET}_C$ | 250.0 | — | 227.5 | — | 208.5 | — | 182.0 | — | ns | |
| | • Power on, external clock generator, DPLL disabled | $1000 \times \text{ET}_C$ | 5.0 | — | 4.55 | — | 4.17 | — | 3.64 | — | μs | |
| | • Power on, external clock generator, DPLL enabled | $75000 \times \text{ET}_C$ | 0.375 | — | 0.341 | — | 0.313 | — | 0.273 | — | ms | |
| | • During STOP, XTAL disabled | $75000 \times \text{ET}_C$ | 0.375 | — | 0.341 | — | 0.313 | — | 0.273 | — | ms | |
| | • During STOP, XTAL enabled | $2.5 \times T_C$ | 12.5 | — | 11.38 | — | 10.43 | — | 9.1 | — | ns | |
| • During normal operation | $2.5 \times T_C$ | 17 | — | 16 | — | 15 | — | 9.1 | — | ns | | |
| 10 | Delay from asynchronous $\overline{\text{RESET}}$ deassertion to first external address output (internal reset deassertion) | $3.25 \times T_C + 2.0$ | Minimum | 18.25 | — | 16.77 | — | 15.55 | — | 13.82 | — | ns |
| | | | Maximum | — | 180 | — | 163 | — | 150 | — | 140 | ns |
| 13 | Mode select setup time | | 30.0 | — | 30.0 | — | 30.0 | — | 30.0 | — | ns | |
| 14 | Mode select hold time | | 0.0 | — | 0.0 | — | 0.0 | — | 0.0 | — | ns | |
| 15 | Minimum edge-triggered interrupt request assertion width | | 4.0 | — | 4.0 | — | 4.0 | — | 4.0 | — | ns | |
| 16 | Minimum edge-triggered interrupt request deassertion width | | 4.0 | — | 4.0 | — | 4.0 | — | 4.0 | — | ns | |
| 17 | Delay from $\overline{\text{IRQA}}$, $\overline{\text{IRQB}}$, $\overline{\text{IRQC}}$, $\overline{\text{IRQD}}$, $\overline{\text{NMI}}$ assertion to external memory access address out valid | $4.25 \times T_C + 2.0$ | Caused by first interrupt instruction fetch | 23.25 | — | 21.24 | — | 19.72 | — | 17.45 | — | ns |
| | | | Caused by first interrupt instruction execution | $7.25 \times T_C + 2.0$ | 38.25 | — | 34.99 | — | 32.23 | — | 28.36 | — |
| 18 | Delay from $\overline{\text{IRQA}}$, $\overline{\text{IRQB}}$, $\overline{\text{IRQC}}$, $\overline{\text{IRQD}}$, $\overline{\text{NMI}}$ assertion to general-purpose transfer output valid caused by first interrupt instruction execution | $8.9 \times T_C$ | 44.5 | — | 40.45 | — | 37.0 | — | 32.37 | — | ns | |
| 19 | Delay from address output valid caused by first interrupt instruction execute to interrupt request deassertion for level sensitive fast interrupts ^{1, 6, 7} | $(\text{WS} + 3.75) \times T_C - 10.94$ | — | Note 7 | — | Note 7 | — | Note 7 | — | Note 7 | ns | |

Table 2-7. Reset, Stop, Mode Select, and Interrupt Timing⁵ (CONTINUED)

| No. | Characteristics | Expression | 200 MHz | | 220 MHz | | 240 MHz | | 275 MHz | | Unit | | |
|-----|--|-------------------------------------|-------------|-------------|-------------|-------------|-------------|-------------|-------------|-------------|------|-------|----|
| | | | Min | Max | Min | Max | Min | Max | Min | Max | | | |
| 20 | Delay from \overline{RD} assertion to interrupt request deassertion for level sensitive fast interrupts ^{1, 6, 7} | $(WS + 3.25) \times T_C - 10.94$ | — | Note 7 | — | Note 7 | — | Note 7 | — | Note 7 | ns | | |
| 21 | Delay from \overline{WR} assertion to interrupt request deassertion for level sensitive fast interrupts ^{1, 6, 7} • SRAM WS = 3 • SRAM WS ≥ 4 | $(WS + 3) \times T_C - 10.94$ | — | Note 7 | — | Note 7 | — | Note 7 | — | Note 7 | ns | | |
| | | $(WS + 2.5) \times T_C - 10.94$ | — | Note 7 | — | Note 7 | — | Note 7 | — | Note 7 | ns | | |
| 24 | Duration for \overline{IRQA} assertion to recover from Stop state | | 8.0 | — | 8.0 | — | 8.0 | — | 8.0 | — | ns | | |
| 25 | Delay from \overline{IRQA} assertion to fetch of first instruction (when exiting Stop) ^{2, 3} • DPLL is not active during Stop (PCTL Bit 1 = 0) and Stop delay is enabled (Operating Mode Register Bit 6 = 0) • DPLL is not active during Stop (PCTL Bit 1 = 0) and Stop delay is not enabled (Operating Mode Register Bit 6 = 1) • DPLL is active during Stop (PCTL Bit 1 = 1; Implies No Stop Delay) | $DPLT + (128K \times T_C)$ | 662.2 μs | 209.9 ms | 662.2 μs | 209.9 ms | 662.2 μs | 209.9 ms | 662.2 μs | 209.9 ms | — | | |
| | | $DPLT + (23.75 \pm 0.5) \times T_C$ | 6.9 | 188.8 | 6.9 | 188.8 | 6.9 | 188.8 | 6.9 | 188.8 | 6.9 | 188.8 | μs |
| | | $(10.0 \pm 1.75) \times T_C$ | 41.25 | 58.8 | 37.5 | 53.3 | 34.4 | 49.0 | 30.0 | 43.0 | — | ns | |
| 26 | Duration of level sensitive \overline{IRQA} assertion to ensure interrupt service (when exiting Stop) ^{2, 3} • DPLL is not active during Stop (PCTL bit 1 = 0) and Stop delay is enabled (Operating Mode Register Bit 6 = 0) • DPLL is not active during Stop (PCTL bit 1 = 0) and Stop delay is not enabled (Operating Mode Register Bit 6 = 1) • DPLL is active during Stop ((PCTL bit 1 = 0; implies no Stop delay) | $DPLT + (128 K \times T_C)$ | 805.4 | — | 805.4 | — | 805.4 | — | 805.4 | — | — | μs | |
| | | $DPLT + (20.5 \pm 0.5) \times T_C$ | 150.1 | — | 150.1 | — | 150.1 | — | 150.1 | — | — | μs | |
| | | $5.5 \times T_C$ | 27.5 | — | 25 | — | 22.9 | — | 20.0 | — | — | ns | |
| 27 | Interrupt Request Rate • HI08, ESSI, SCI, Timer • DMA • \overline{IRQ} , \overline{NMI} (edge trigger) • \overline{IRQ} , \overline{NMI} (level trigger) | $12T_C$ | — | 60.0 | — | 54.6 | — | 50.0 | — | 43.7 | — | ns | |
| | | $8T_C$ | — | 40.0 | — | 36.4 | — | 33.4 | — | 29.2 | — | ns | |
| | | $8T_C$ | — | 40.0 | — | 36.4 | — | 33.4 | — | 29.2 | — | ns | |
| | | $12T_C$ | — | 60.0 | — | 54.6 | — | 50.0 | — | 43.7 | — | ns | |
| 28 | DMA Request Rate • Data read from HI08, ESSI, SCI • Data write to HI08, ESSI, SCI • Timer • \overline{IRQ} , \overline{NMI} (edge trigger) | $6T_C$ | — | 30.0 | — | 27.3 | — | 25.0 | — | 21.84 | — | ns | |
| | | $7T_C$ | — | 35.0 | — | 31.9 | — | 29.2 | — | 25.48 | — | ns | |
| | | $2T_C$ | — | 10.0 | — | 9.1 | — | 8.3 | — | 7.28 | — | ns | |
| | | $3T_C$ | — | 15.0 | — | 13.7 | — | 12.5 | — | 10.92 | — | ns | |
| 29 | Delay from \overline{IRQA} , \overline{IRQB} , \overline{IRQC} , \overline{IRQD} , \overline{NMI} assertion to external memory (DMA source) access address out valid | $4.25 \times T_C + 2.0$ | 23.25 | — | 21.34 | — | 19.72 | — | 17.45 | — | ns | | |

Because of an order from the United States International Trade Commission, BGA-packaged product lines and part numbers indicated here currently are not available from Freescale for import or sale in the United States prior to September 2010: DSP56321VF200, DSP56321VF220, DSP56321VF240, DSP56321VF275, DSP56321VL200, DSP56321VL220, DSP56321VL240, DSP56321VL275

Table 2-7. Reset, Stop, Mode Select, and Interrupt Timing⁵ (CONTINUED)

| No. | Characteristics | Expression | 200 MHz | | 220 MHz | | 240 MHz | | 275 MHz | | Unit |
|---------------|---|------------|---------|-----|---------|-----|---------|-----|---------|-----|------|
| | | | Min | Max | Min | Max | Min | Max | Min | Max | |
| Notes: | <ol style="list-style-type: none"> When fast interrupts are used and \overline{IRQA}, \overline{IRQB}, \overline{IRQC}, and \overline{IRQD} are defined as level-sensitive, timings 19 through 21 apply to prevent multiple interrupt service. To avoid these timing restrictions, the deasserted Edge-triggered mode is recommended when fast interrupts are used. Long interrupts are recommended for Level-sensitive mode. This timing depends on several settings: <ul style="list-style-type: none"> For DPLL disable, using internal oscillator (DPLL Control Register (PCTL) Bit 2 = 0) and oscillator disabled during Stop (PCTL Bit 1 = 0), a stabilization delay is required to assure that the oscillator is stable before programs are executed. Resetting the Stop delay (Operating Mode Register Bit 6 = 0) provides the proper delay. While Operating Mode Register Bit 6 = 1 can be set, it is not recommended, and these specifications do not guarantee timings for that case. For DPLL disable, using internal oscillator (PCTL Bit 2 = 0) and oscillator enabled during Stop (PCTL Bit 1 = 1), no stabilization delay is required and recovery is minimal (Operating Mode Register Bit 6 setting is ignored). For DPLL disable, using external clock (PCTL Bit 2 = 1), no stabilization delay is required and recovery time is defined by the PCTL Bit 1 and Operating Mode Register Bit 6 settings. For DPLL enable, if PCTL Bit 1 is 0, the DPLL is shut down during Stop. Recovering from Stop requires the DPLL to lock. The DPLL lock procedure duration is defined in Table 2-6 and will be refined after silicon characterization. This procedure is followed by the stop delay counter. Stop recovery ends when the stop delay counter completes its count. The DPLT value for DPLL disable is 0. Periodically sampled and not 100 percent tested. For an external clock generator, \overline{RESET} duration is measured while \overline{RESET} is asserted, V_{CC} is valid, and the EXTAL input is active and valid. For an internal oscillator, \overline{RESET} duration is measured while \overline{RESET} is asserted and V_{CC} is valid. The specified timing reflects the crystal oscillator stabilization time after power-up. This number is affected both by the specifications of the crystal and other components connected to the oscillator and reflects worst case conditions. When the V_{CC} is valid, but the other "required \overline{RESET} duration" conditions (as specified above) have not been yet met, the device circuitry is in an uninitialized state that can result in significant power consumption and heat-up. Designs should minimize this state to the shortest possible duration. $V_{CCQH} = 3.3 V \pm 0.3 V$, $V_{CCQL} = 1.6 V \pm 0.1 V$; $T_J = -40^\circ C$ to $+100^\circ C$, $C_L = 50 pF$. WS = number of wait states (measured in clock cycles, number of T_C). Use the expression to compute a maximum value. | | | | | | | | | | |

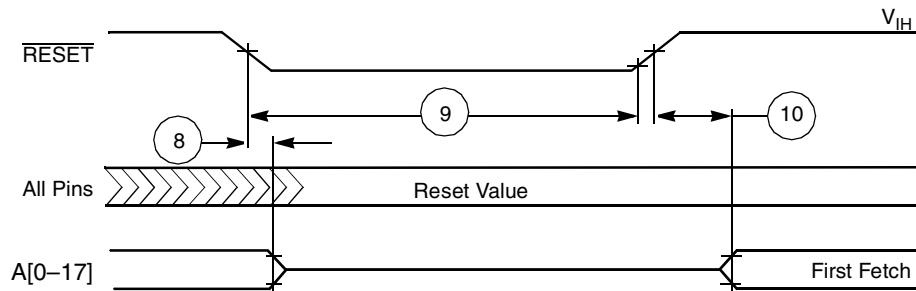
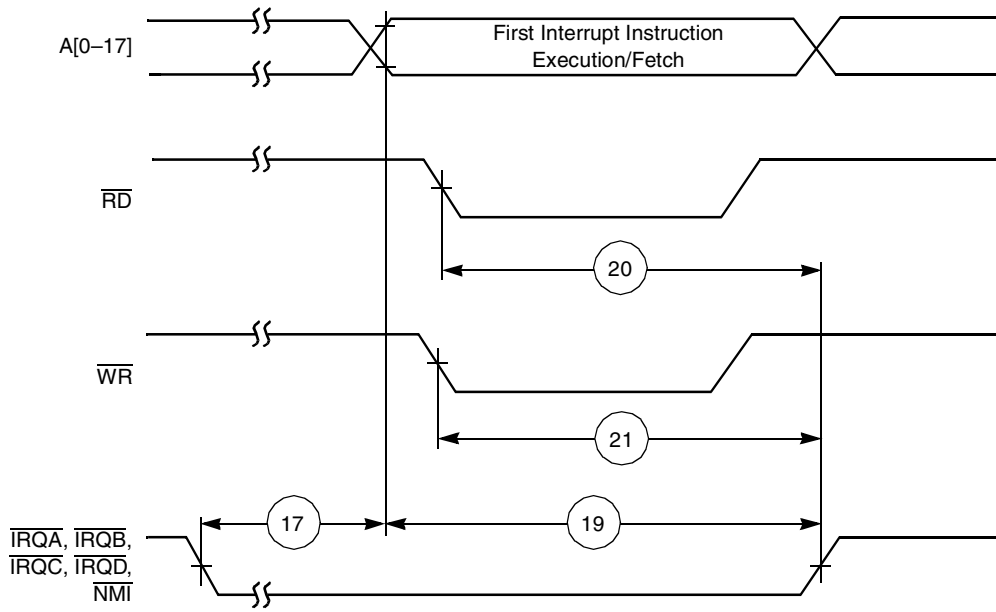
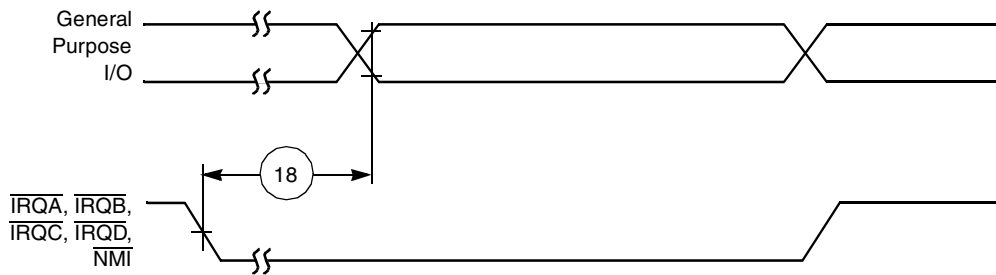


Figure 2-3. Reset Timing

Because of an order from the United States International Trade Commission, BGA-packaged product lines and part numbers indicated here currently are not available from Freescale for import or sale in the United States prior to September 2010: DSP56321VF200, DSP56321VF240, DSP56321VF275, DSP56321VL200, DSP56321VL220, DSP56321VL240, DSP56321VL275



a) First Interrupt Instruction Execution



b) General-Purpose I/O

Figure 2-4. External Fast Interrupt Timing

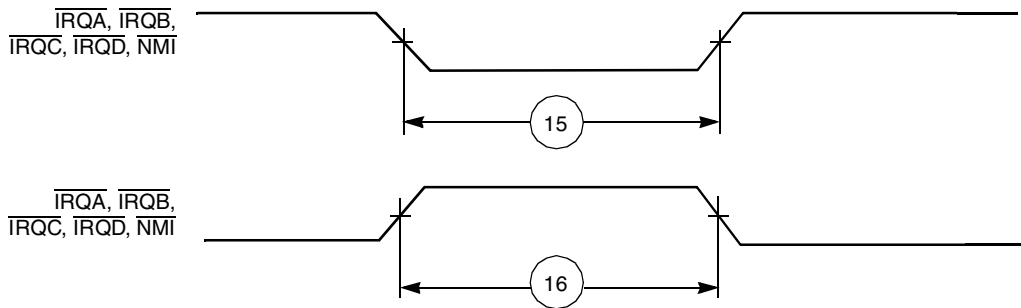


Figure 2-5. External Interrupt Timing (Negative Edge-Triggered)

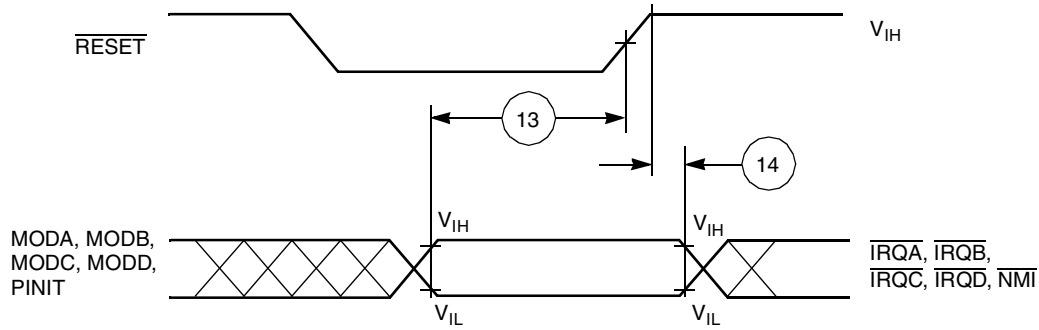


Figure 2-6. Operating Mode Select Timing

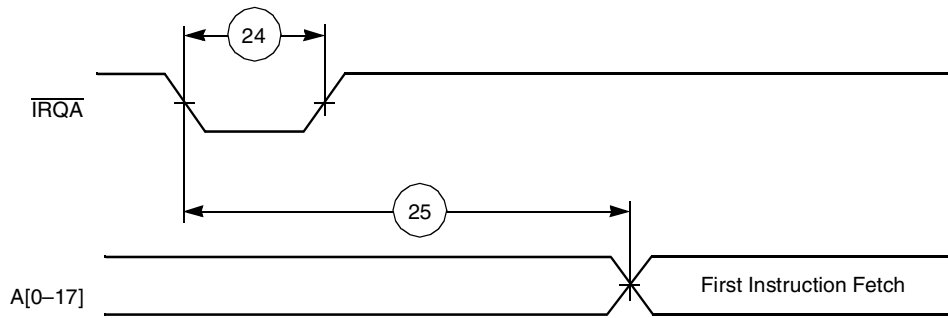


Figure 2-7. Recovery from Stop State Using $\overline{\text{IRQA}}$

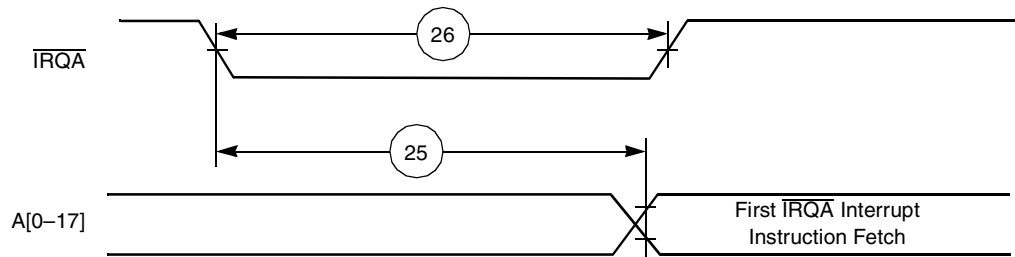


Figure 2-8. Recovery from Stop State Using $\overline{\text{IRQA}}$ Interrupt Service

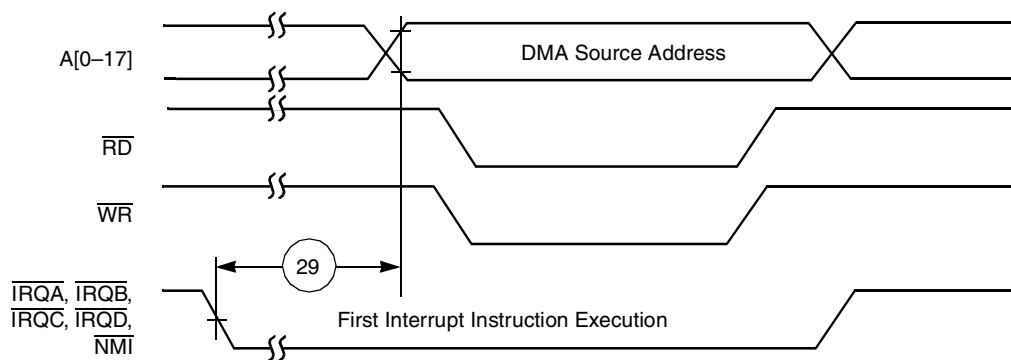


Figure 2-9. External Memory Access (DMA Source) Timing

2.4.5 External Memory Expansion Port (Port A)

2.4.5.1 SRAM Timing

Table 2-8. SRAM Timing

| No. | Characteristics | Symbol | Expression ¹ | 200 MHz | | 220 MHz | | 240 MHz | | 275 MHz | | Unit |
|-----|--|-------------------|---|---------|------|---------|------|---------|------|---------|------|------|
| | | | | Min | Max | Min | Max | Min | Max | Min | Max | |
| 100 | Address valid and AA assertion pulse width ² | t_{RC}, t_{WC} | $(WS + 2) \times T_C - 4.0$ [$3 \leq WS \leq 7$] | 21.0 | | 18.8 | | 16.9 | | 15.0 | | ns |
| | | | $(WS + 3) \times T_C - 4.0$ [$WS \geq 8$] | 51.0 | — | 46.0 | — | 41.9 | — | 36.0 | — | ns |
| 101 | Address and AA valid to \overline{WR} assertion | t_{AS} | $0.75 \times T_C - 3.0$ [$WS = 3$] | 0.75 | — | 0.41 | — | 0.13 | — | -0.27 | — | ns |
| | | | $1.25 \times T_C - 3.0$ [$WS \geq 4$] | 3.25 | — | 2.69 | — | 2.21 | — | 1.54 | — | ns |
| 102 | \overline{WR} assertion pulse width | t_{WP} | $WS \times T_C - 4.0$ [$WS = 3$] | 11.0 | — | 9.65 | — | 8.51 | — | 6.9 | — | ns |
| | | | $(WS - 0.5) \times T_C - 4.0$ [$WS \geq 4$] | 13.5 | — | 11.93 | — | 10.6 | — | 8.72 | — | ns |
| 103 | \overline{WR} deassertion to address not valid | t_{WR} | $1.25 \times T_C - 4.0$ [$3 \leq WS \leq 7$] | 2.25 | — | 1.69 | — | 1.21 | — | 0.54 | — | ns |
| | | | $2.25 \times T_C - 4.0$ [$WS \geq 8$] | 7.25 | — | 6.24 | — | 5.38 | — | 4.18 | — | ns |
| 104 | Address and AA valid to input data valid | t_{AA}, t_{AC} | $(WS + 0.75) \times T_C - 5.8$ [$WS \geq 3$] | — | 12.9 | — | 11.2 | — | 9.8 | — | 7.84 | ns |
| 105 | \overline{RD} assertion to input data valid | t_{OE} | $(WS + 0.25) \times T_C - 6.5$ [$WS \geq 3$] | — | 9.75 | — | 8.29 | — | 7.05 | — | 5.31 | ns |
| 106 | \overline{RD} deassertion to data not valid (data hold time) | t_{OHZ} | | 0.0 | — | 0.0 | — | 0.0 | — | 0.0 | — | ns |
| 107 | Address valid to \overline{WR} deassertion ² | t_{AW} | $(WS + 0.75) \times T_C - 4.0$ [$WS \geq 3$] | 14.75 | — | 13.06 | — | 11.64 | — | 9.63 | — | ns |
| 108 | Data valid to \overline{WR} deassertion (data setup time) | $t_{DS} (t_{DW})$ | $(WS - 0.25) \times T_C - 5.4$ [$WS \geq 3$] | 8.35 | — | 7.11 | — | 6.07 | — | 4.6 | — | ns |
| 109 | Data hold time from \overline{WR} deassertion | t_{DH} | $1.25 \times T_C - 4.0$ [$3 \leq WS \leq 7$] | 2.25 | — | 1.69 | — | 1.21 | — | 0.54 | — | ns |
| | | | $2.25 \times T_C - 4.0$ [$WS \geq 8$] | 7.25 | — | 6.23 | — | 5.38 | — | 4.18 | — | ns |
| 110 | \overline{WR} assertion to data active | — | $0.25 \times T_C - 4.0$ [$WS = 3$] | -2.75 | — | -2.86 | — | -2.96 | — | -3.1 | — | ns |
| | | | $-0.25 \times T_C - 4.0$ [$WS \geq 4$] | -5.25 | — | -5.14 | — | -5.04 | — | -4.91 | — | ns |
| 111 | \overline{WR} deassertion to data high impedance | — | $1.25 \times T_C$ | 6.25 | — | 5.69 | — | 5.21 | — | 4.55 | — | ns |
| 112 | Previous \overline{RD} deassertion to data active (write) | — | $2.25 \times T_C - 4.0$ | 7.25 | — | 6.23 | — | 5.38 | — | 4.18 | — | ns |
| 113 | \overline{RD} deassertion time | — | $1.75 \times T_C - 3.0$ [$3 \leq WS \leq 7$] | 5.75 | — | 4.96 | — | 4.3 | — | 3.36 | — | ns |
| | | | $2.75 \times T_C - 3.0$ [$WS \geq 8$] | 10.75 | — | 9.51 | — | 8.47 | — | 7.0 | — | ns |
| 114 | \overline{WR} deassertion time ⁴ | — | $2.0 \times T_C - 3.0$ [$3 \leq WS \leq 7$] | 7.0 | — | 6.1 | — | 5.3 | — | 4.27 | — | ns |
| | | | $3.0 \times T_C - 3.0$ [$WS \geq 8$] | 12.0 | — | 10.6 | — | 9.5 | — | 7.91 | — | ns |

Table 2-8. SRAM Timing (Continued)

| No. | Characteristics | Symbol | Expression ¹ | 200 MHz | | 220 MHz | | 240 MHz | | 275 MHz | | Unit |
|-----|--|--------|---|---------|-----|---------|-----|---------|-----|---------|-----|------|
| | | | | Min | Max | Min | Max | Min | Max | Min | Max | |
| 115 | Address valid to \overline{RD} assertion | — | $0.5 \times T_C - 2.0$ | 0.5 | — | 0.3 | — | 0.1 | — | -0.18 | — | ns |
| 116 | \overline{RD} assertion pulse width | — | $(WS + 0.25) \times T_C - 3.0$ [$WS \geq 3$] | 13.25 | — | 11.59 | — | 10.55 | — | 8.81 | — | ns |
| 117 | \overline{RD} deassertion to address not valid | — | $1.25 \times T_C - 4.0$ [$3 \leq WS \leq 7$] $2.25 \times T_C - 4.0$ [$WS \geq 8$] | 2.25 | — | 1.69 | — | 1.21 | — | 0.54 | — | ns |
| | | | | 7.25 | — | 6.24 | — | 5.38 | — | 4.18 | — | ns |
| 118 | \overline{TA} setup before \overline{RD} or \overline{WR} deassertion ⁵ | — | $0.25 \times T_C + 2.0$ | 3.25 | — | 3.14 | — | 3.04 | — | 2.91 | — | ns |
| 119 | \overline{TA} hold after \overline{RD} or \overline{WR} deassertion | — | | 0 | — | 0 | — | 0 | — | 0 | — | ns |

Notes:

1. WS is the number of wait states specified in the BCR. The value is given for the minimum for a given category. (For example, for a category of [$3 \leq WS \leq 7$] timing is specified for 3 wait states.) Three wait states is the minimum value otherwise.
2. Timings 100 and 107 are guaranteed by design, not tested.
3. All timings are measured from $0.5 \times V_{CCQH}$ to $0.5 \times V_{CCQH}$.
4. The WS number applies to the access in which the deassertion of \overline{WR} occurs and assumes the next access uses a minimal number of wait states.
5. Timing 118 is relative to the deassertion edge of \overline{RD} or \overline{WR} even if \overline{TA} remains asserted.

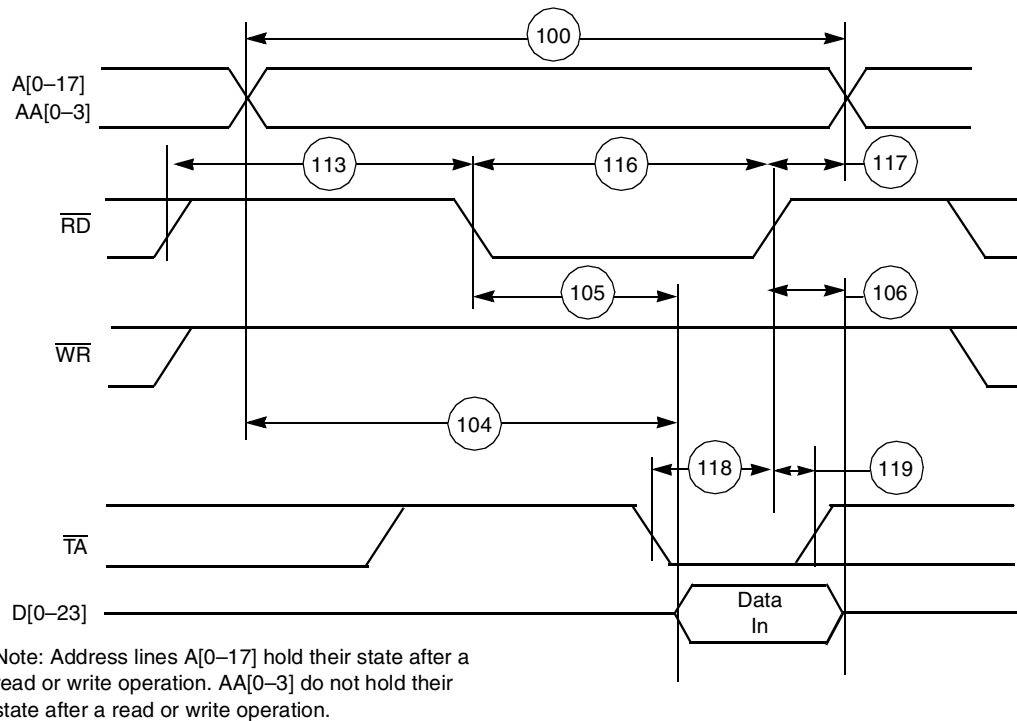
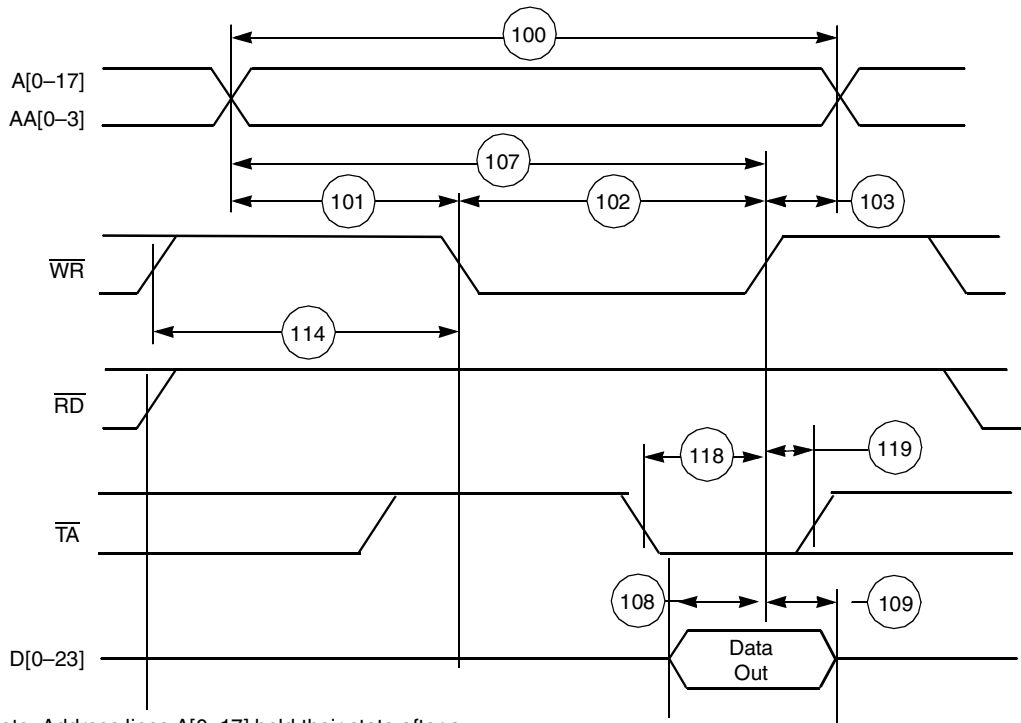


Figure 2-10. SRAM Read Access



Note: Address lines A[0-17] hold their state after a read or write operation. AA[0-3] do not hold their state after a read or write operation.

Figure 2-11. SRAM Write Access

2.4.5.2 Asynchronous Bus Arbitration Timings

Table 2-9. Asynchronous Bus Timings

| No. | Characteristics | Expression | 200 MHz | | 220 MHz | | 240 MHz | | 275 MHz | | Unit |
|-----|--|----------------------|---------|------|---------|------|---------|------|---------|------|------|
| | | | Min | Max | Min | Max | Min | Max | Min | Max | |
| 250 | \overline{BB} assertion window from \overline{BG} input deassertion. | $2.5 \times T_c + 5$ | — | 17.5 | — | 16.4 | — | 15.4 | — | 14.1 | ns |
| 251 | Delay from \overline{BB} assertion to \overline{BG} assertion | $2 \times T_c + 5$ | 15 | — | 14.1 | — | 13.3 | — | 12.27 | — | ns |

Notes:

- Bit 13 in the Operating Mode Register must be set to enable Asynchronous Arbitration mode.
- To guarantee timings 250 and 251, it is recommended that you assert non-overlapping \overline{BG} inputs to different DSP56300 devices (on the same bus), as shown in **Figure 2-12**, where $\overline{BG1}$ is the \overline{BG} signal for one DSP56300 device while $\overline{BG2}$ is the \overline{BG} signal for a second DSP56300 device.

Because of an order from the United States International Trade Commission, BGA-packaged product lines and part numbers indicated here currently are not available from Freescale for import or sale in the United States prior to September 2010: DSP56321VF200, DSP56321VF220, DSP56321VF240, DSP56321VF275, DSP56321VL200, DSP56321VL220, DSP56321VL240, DSP56321VL275

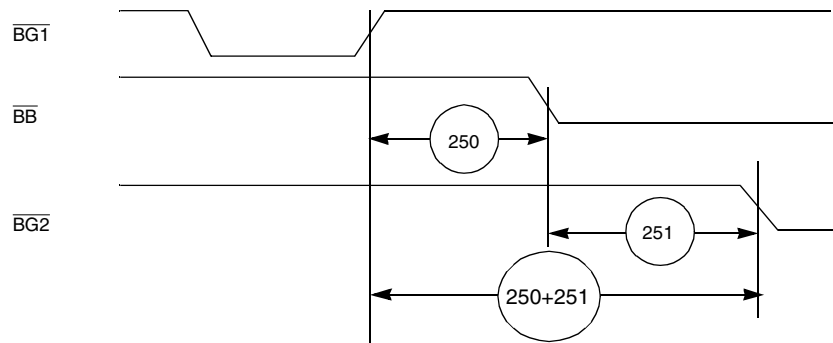


Figure 2-12. Asynchronous Bus Arbitration Timing

The asynchronous bus arbitration is enabled by internal synchronization circuits on \overline{BG} and \overline{BB} inputs. These synchronization circuits add delay from the external signal until it is exposed to internal logic. As a result of this delay, a DSP56300 part may assume mastership and assert \overline{BB} , for some time after \overline{BG} is deasserted. This is the reason for timing 250.

Once \overline{BB} is asserted, there is a synchronization delay from \overline{BB} assertion to the time this assertion is exposed to other DSP56300 components that are potential masters on the same bus. If \overline{BG} input is asserted before that time, and \overline{BG} is asserted and \overline{BB} is deasserted, another DSP56300 component may assume mastership at the same time. Therefore, some non-overlap period between one \overline{BG} input active to another \overline{BG} input active is required. Timing 251 ensures that overlaps are avoided.

2.4.6 Host Interface Timing

Table 2-10. Host Interface Timings^{1,2,12}

| No. | Characteristic ¹⁰ | Expression | 200 MHz | | 220 MHz | | 240 MHz | | 275 MHz | | Unit |
|-----|--|------------------------|---------|-----|---------|-----|---------|-----|---------|-----|------|
| | | | Min | Max | Min | Max | Min | Max | Min | Max | |
| 317 | Read data strobe assertion width ⁵ HACK assertion width | $T_C + 4.95$ | 9.95 | — | 9.05 | — | 8.3 | — | 7.77 | — | ns |
| 318 | Read data strobe deassertion width ⁵ HACK deassertion width | | 4.95 | — | 4.5 | — | 4.13 | — | 4.0 | — | ns |
| 319 | Read data strobe deassertion width ⁵ after “Last Data Register” reads ^{8,11} , or between two consecutive CVR, ICR, or ISR reads ³ HACK deassertion width after “Last Data Register” reads ^{8,11} | $2.5 \times T_C + 3.3$ | 15.8 | — | 14.7 | — | 13.7 | — | 12.39 | — | ns |
| 320 | Write data strobe assertion width ⁶ | | 6.6 | — | 6.0 | — | 5.5 | — | 5.1 | — | ns |
| 321 | Write data strobe deassertion width ⁸ HACK write deassertion width • after ICR, CVR and “Last Data Register” writes • after IVR writes, or after TXH:TXM:TXL writes (with HLEND= 0), or after TXL:TXM:TXH writes (with HLEND = 1) | $2.5 \times T_C + 3.3$ | 15.8 | — | 14.7 | — | 13.7 | — | 12.39 | — | ns |
| | | | 8.25 | — | 7.5 | — | 6.88 | — | 6.28 | — | ns |
| 322 | \overline{HAS} assertion width | | 4.95 | — | 4.5 | — | 4.13 | — | 4.0 | — | ns |

Table 2-10. Host Interface Timings^{1,2,12} (Continued)

| No. | Characteristic ¹⁰ | Expression | 200 MHz | | 220 MHz | | 240 MHz | | 275 MHz | | Unit |
|-----|--|-------------------------|-----------|--------|----------|--------|-----------|--------|-----------|--------|----------|
| | | | Min | Max | Min | Max | Min | Max | Min | Max | |
| 323 | $\overline{\text{H}\overline{\text{A}}\text{S}}$ deassertion to data strobe assertion ⁴ | | 0.0 | — | 0.0 | — | 0.0 | — | 0.0 | — | ns |
| 324 | Host data input setup time before write data strobe deassertion ⁶ | | 4.95 | — | 4.5 | — | 4.13 | — | 4.0 | — | ns |
| 325 | Host data input hold time after write data strobe deassertion ⁶ | | 1.65 | — | 1.5 | — | 1.38 | — | 1.23 | — | ns |
| 326 | Read data strobe assertion to output data active from high impedance ⁵ HACK assertion to output data active from high impedance | | 1.65 | — | 1.5 | — | 1.38 | — | 1.23 | — | ns |
| 327 | Read data strobe assertion to output data valid ⁵ $\overline{\text{H}\overline{\text{A}}\text{C}\overline{\text{K}}}$ assertion to output data valid | | — | 14.78 | — | 13.45 | — | 12.32 | — | 10.2 | ns |
| 328 | Read data strobe deassertion to output data high impedance ⁵ $\overline{\text{H}\overline{\text{A}}\text{C}\overline{\text{K}}}$ deassertion to output data high impedance | | — | 4.95 | — | 4.5 | — | 4.13 | 4.0 | — | ns |
| 329 | Output data hold time after read data strobe deassertion ⁵ Output data hold time after $\overline{\text{H}\overline{\text{A}}\text{C}\overline{\text{K}}}$ deassertion | | 1.65 | — | 1.5 | — | 1.38 | — | 1.23 | — | ns |
| 330 | $\overline{\text{H}}\overline{\text{C}}\overline{\text{S}}$ assertion to read data strobe deassertion ⁵ | $T_C + 4.95$ | 9.95 | — | 9.05 | — | 8.3 | — | 7.77 | — | ns |
| 331 | $\overline{\text{H}}\overline{\text{C}}\overline{\text{S}}$ assertion to write data strobe deassertion ⁶ | | 8 | — | 8 | — | 8 | — | 8 | — | ns |
| 332 | $\overline{\text{H}}\overline{\text{C}}\overline{\text{S}}$ assertion to output data valid | | — | 17 | — | 16 | — | 15 | — | 14 | ns |
| 333 | $\overline{\text{H}}\overline{\text{C}}\overline{\text{S}}$ hold time after data strobe deassertion ⁴ | | 0.0 | — | 0.0 | — | 0.0 | — | 0.0 | — | ns |
| 334 | Address (HAD[0–7]) setup time before $\overline{\text{H}\overline{\text{A}}\text{S}}$ deassertion (HMUX=1) | | 2.31 | — | 2.1 | — | 1.93 | — | 1.76 | — | ns |
| 335 | Address (HAD[0–7]) hold time after $\overline{\text{H}\overline{\text{A}}\text{S}}$ deassertion (HMUX=1) | | 1.65 | — | 1.5 | — | 1.38 | — | 1.23 | — | ns |
| 336 | HA[8–10] (HMUX=1), HA[0–2] (HMUX=0), HR/W setup time before data strobe assertion ⁴ • Read • Write | | 0 2.31 | — — | 0 2.1 | — — | 0 1.93 | — — | 0 1.76 | — — | ns ns |
| 337 | HA[8–10] (HMUX=1), HA[0–2] (HMUX=0), HR/W hold time after data strobe deassertion ⁴ | | 1.65 | — | 1.5 | — | 1.38 | — | 1.23 | — | ns |
| 338 | Delay from read data strobe deassertion to host request assertion for “Last Data Register” read ^{5, 7, 8} | $T_C + 2.64$ | 7.64 | — | 7.19 | — | 6.81 | — | 6.28 | — | ns |
| 339 | Delay from write data strobe deassertion to host request assertion for “Last Data Register” write ^{6, 7, 8} | $1.5 \times T_C + 2.64$ | 10.14 | — | 9.47 | — | 8.9 | — | 8.1 | — | ns |
| 340 | Delay from data strobe assertion to host request deassertion for “Last Data Register” read or write (HROD=0) ^{4, 7, 8} | | — | 12.14 | — | 11.04 | — | 10.12 | — | 9.0 | ns |
| 341 | Delay from data strobe assertion to host request deassertion for “Last Data Register” read or write (HROD=1, open drain host request) ^{4, 7, 8, 9} | | — | 300.0 | — | 300.0 | — | 300.0 | — | 300.0 | ns |

Table 2-10. Host Interface Timings^{1,2,12} (Continued)

| No. | Characteristic ¹⁰ | Expression | 200 MHz | | 220 MHz | | 240 MHz | | 275 MHz | | Unit |
|---------------|---|------------|---------|-----|---------|-----|---------|-----|---------|-----|------|
| | | | Min | Max | Min | Max | Min | Max | Min | Max | |
| Notes: | <ol style="list-style-type: none"> See the Programmer's Model section in the chapter on the HI08 in the <i>DSP56321 Reference Manual</i>. In the timing diagrams below, the controls pins are drawn as active low. The pin polarity is programmable. This timing is applicable only if two consecutive reads from one of these registers are executed. The data strobe is Host Read (HRD) or Host Write (HWR) in the Dual Data Strobe mode and Host Data Strobe (HDS) in the Single Data Strobe mode. The read data strobe is HRD in the Dual Data Strobe mode and HDS in the Single Data Strobe mode. The write data strobe is HWR in the Dual Data Strobe mode and HDS in the Single Data Strobe mode. The host request is HREQ in the Single Host Request mode and HRRQ and HTRQ in the Double Host Request mode. The "Last Data Register" is the register at address \$7, which is the last location to be read or written in data transfers. This is RXL/TXL in the Big Endian mode (HLEND = 0; HLEND is the Interface Control Register bit 7—ICR[7]), or RXH/TXH in the Little Endian mode (HLEND = 1). In this calculation, the host request signal is pulled up by a 4.7 kΩ resistor in the Open-drain mode. $V_{CCQH} = 3.3 V \pm 0.3 V$, $V_{CCQL} = 1.6 V \pm 0.1 V$; $T_J = -40^\circ C$ to $+100^\circ C$, $C_L = 50 pF$ This timing is applicable only if a read from the "Last Data Register" is followed by a read from the RXL, RXM, or RXH registers without first polling RXDF or HREQ bits, or waiting for the assertion of the HREQ signal. After the external host writes a new value to the ICR, the HI08 will be ready for operation after three DSP clock cycles ($3 \times T_c$). | | | | | | | | | | |

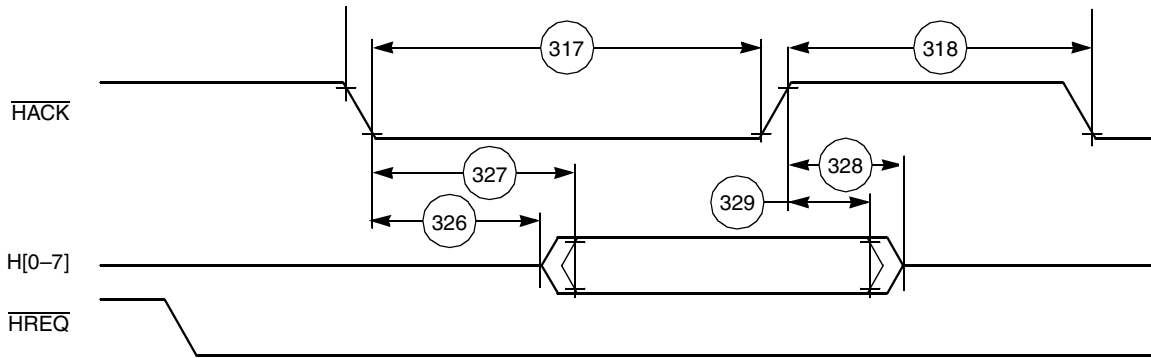


Figure 2-13. Host Interrupt Vector Register (IVR) Read Timing Diagram

Because of an order from the United States International Trade Commission, BGA-packaged product lines and part numbers indicated here currently are not available from Freescale for import or sale in the United States prior to September 2010: DSP56321VF200, DSP56321VF240, DSP56321VF275, DSP56321VL200, DSP56321VL220, DSP56321VL240, DSP56321VL275

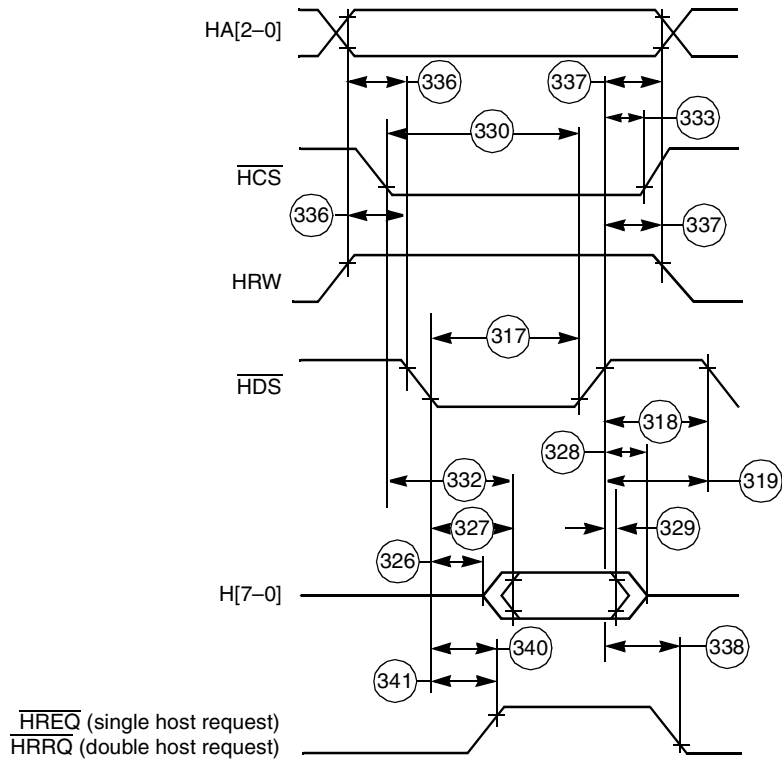


Figure 2-14. Read Timing Diagram, Non-Multiplexed Bus, Single Data Strobe

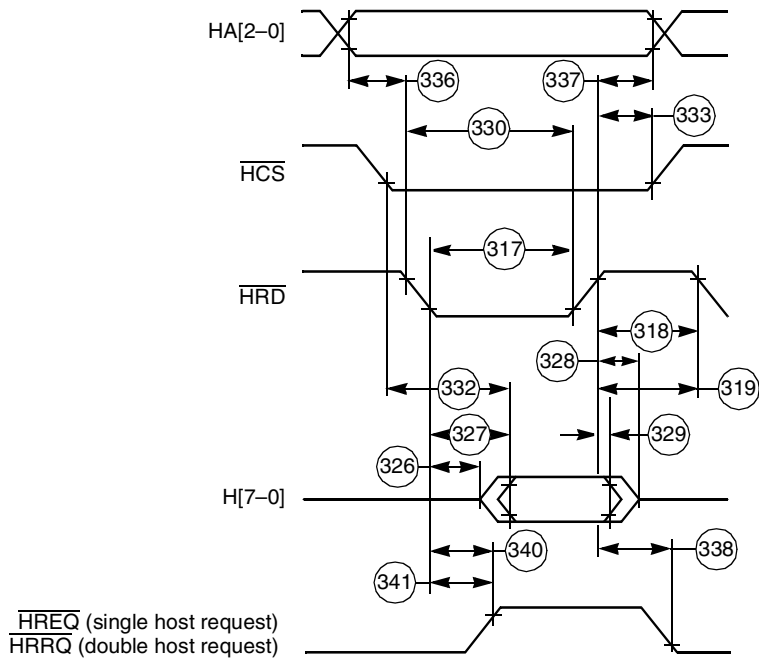


Figure 2-15. Read Timing Diagram, Non-Multiplexed Bus, Double Data Strobe

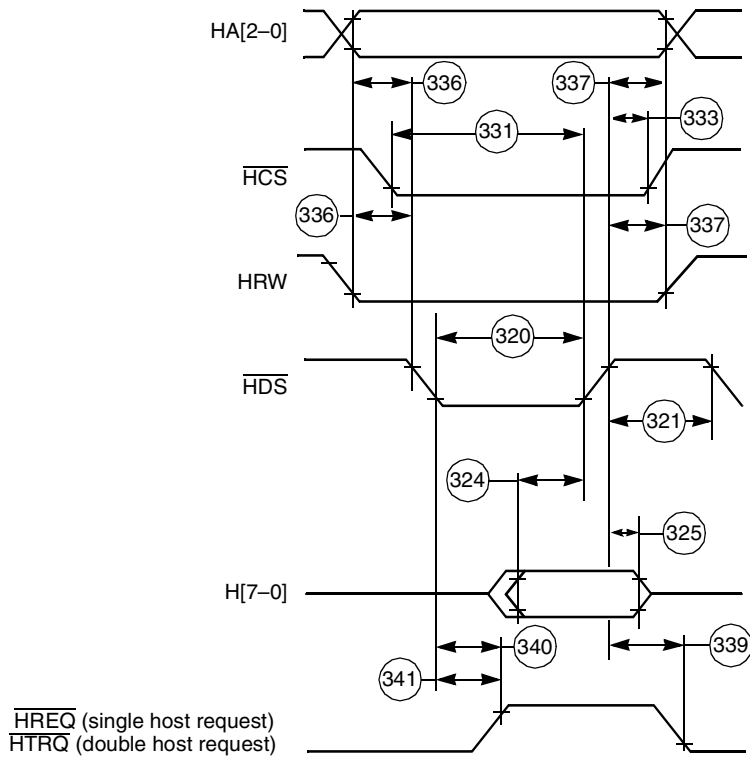


Figure 2-16. Write Timing Diagram, Non-Multiplexed Bus, Single Data Strobe

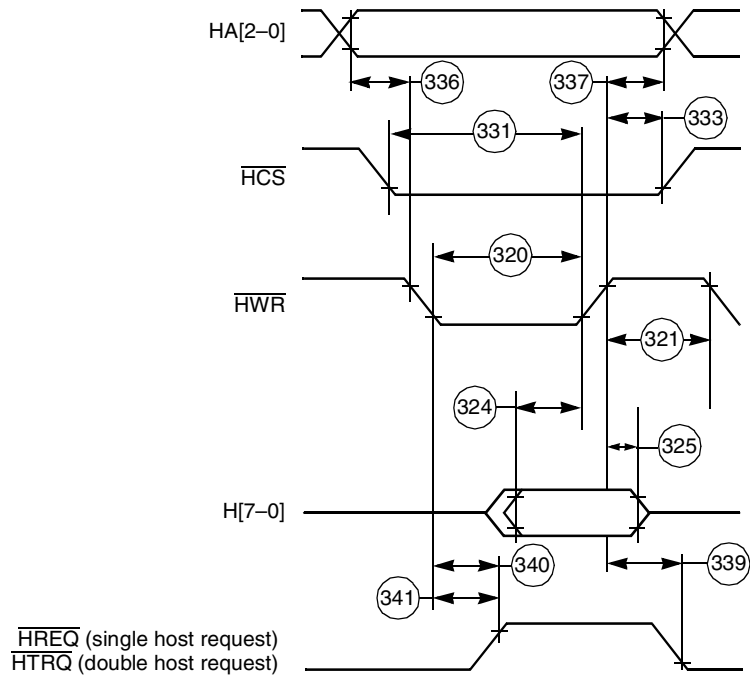


Figure 2-17. Write Timing Diagram, Non-Multiplexed Bus, Double Data Strobe

Because of an order from the United States International Trade Commission, BGA-packaged product lines and part numbers indicated here currently are not available from Freescale for import or sale in the United States prior to September 2010: DSP56321VF200, DSP56321VF220, DSP56321VF240, DSP56321VF275, DSP56321VL200, DSP56321VL220, DSP56321VL240, DSP56321VL275

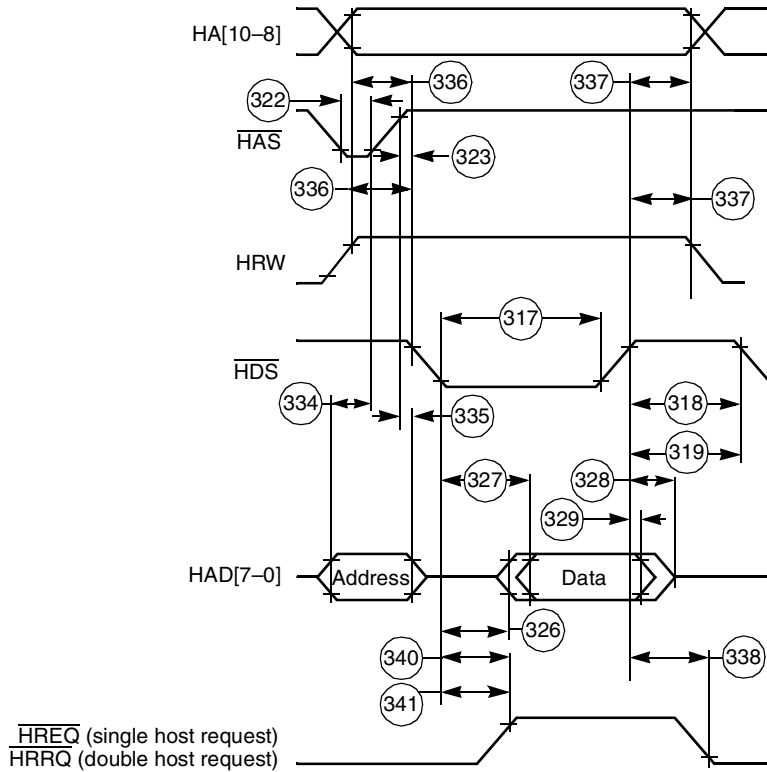


Figure 2-18. Read Timing Diagram, Multiplexed Bus, Single Data Strobe

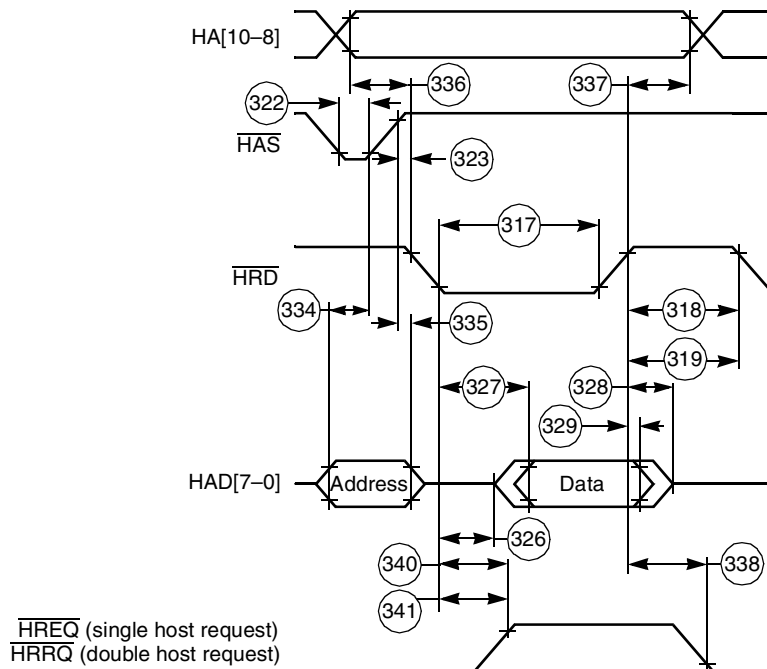


Figure 2-19. Read Timing Diagram, Multiplexed Bus, Double Data Strobe

Because of an order from the United States International Trade Commission, BGA-packaged product lines and part numbers indicated here currently are not available from Freescale for import or sale in the United States prior to September 2010: DSP56321VF200, DSP56321VF220, DSP56321VF240, DSP56321VF275, DSP56321VL200, DSP56321VL220, DSP56321VL240, DSP56321VL275

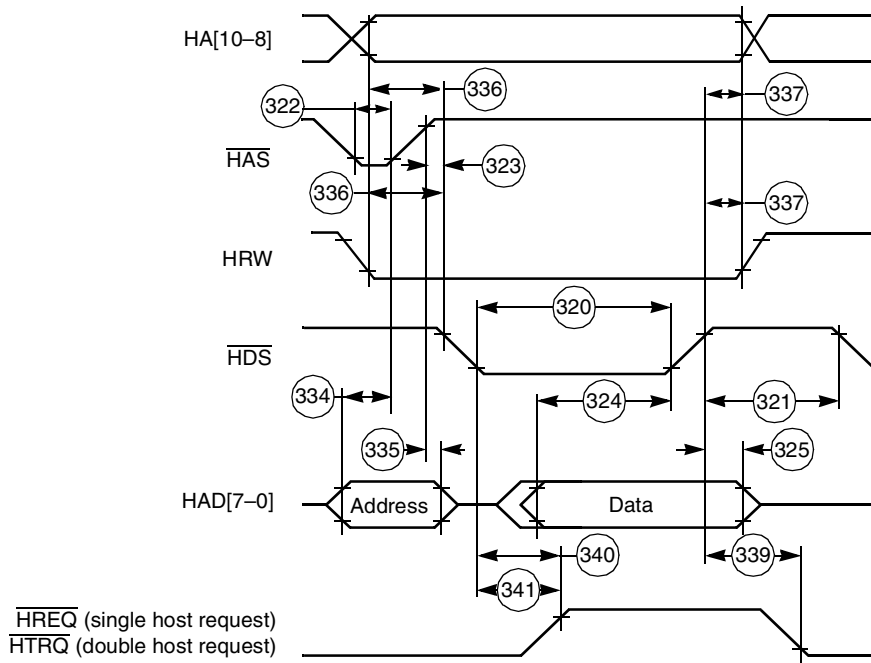


Figure 2-20. Write Timing Diagram, Multiplexed Bus, Single Data Strobe

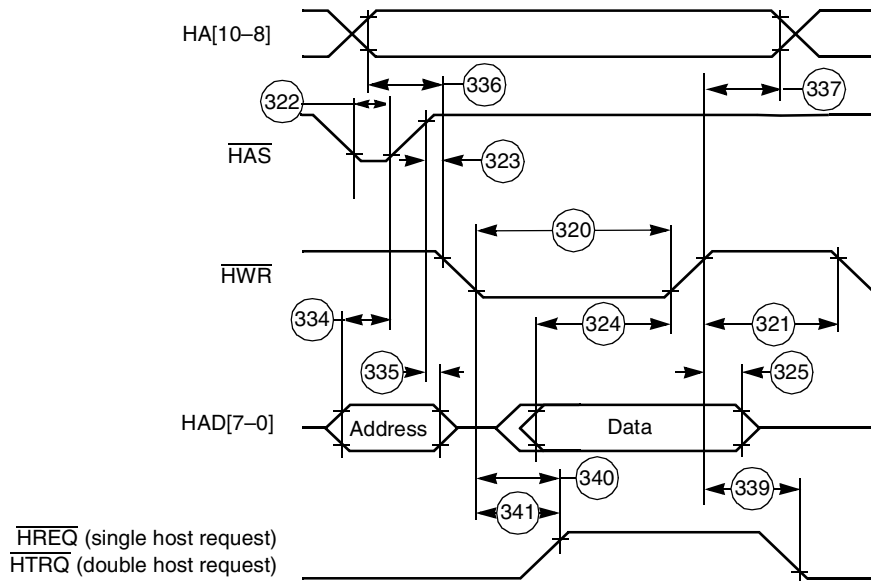


Figure 2-21. Write Timing Diagram, Multiplexed Bus, Double Data Strobe

Because of an order from the United States International Trade Commission, BGA-packaged product lines and part numbers indicated here currently are not available from Freescale for import or sale in the United States prior to September 2010: DSP56321VF200, DSP56321VF240, DSP56321VF275, DSP56321VL200, DSP56321VL220, DSP56321VL240, DSP56321VL275

2.4.7 SCI Timing

Table 2-11. SCI Timings

| No. | Characteristics ¹ | Symbol | Expression | 200 MHz | | 220 MHz | | 240 MHz | | 275 MHz | | Unit |
|-----|---|-------------|-------------------------------------|---------|------|---------|------|---------|------|---------|-------|------|
| | | | | Min | Max | Min | Max | Min | Max | Min | Max | |
| 400 | Synchronous clock cycle | t_{SCC}^2 | $16 \times T_C$ | 80.0 | — | 72.8 | — | 66.7 | — | 58.0 | — | ns |
| 401 | Clock low period | | $t_{SCC}/2 - 10.0$ | 30.0 | — | 26.4 | — | 23.4 | — | 19.0 | — | ns |
| 402 | Clock high period | | $t_{SCC}/2 - 10.0$ | 30.0 | — | 26.4 | — | 23.4 | — | 19.0 | — | ns |
| 403 | Output data setup to clock falling edge (internal clock) | | $t_{SCC}/4 + 0.5 \times T_C - 17.0$ | 5.5 | — | 3.5 | — | 1.76 | — | -0.68 | — | ns |
| 404 | Output data hold after clock rising edge (internal clock) | | $t_{SCC}/4 - 1.5 \times T_C$ | 13 | — | 11.5 | — | 10 | — | 9.04 | — | ns |
| 405 | Input data setup time before clock rising edge (internal clock) | | $t_{SCC}/4 + 0.5 \times T_C + 25.0$ | 47.5 | — | 45.5 | — | 43.8 | — | 41.32 | — | ns |
| 406 | Input data not valid before clock rising edge (internal clock) | | $t_{SCC}/4 + 0.5 \times T_C - 5.5$ | — | 17.0 | — | 15.0 | — | 13.8 | — | 10.81 | ns |
| 407 | Clock falling edge to output data valid (external clock) | | | — | 32.0 | — | 32.0 | — | 32.0 | — | 32.0 | ns |
| 408 | Output data hold after clock rising edge (external clock) | | $T_C + 8.0$ | 13.0 | — | 12.6 | — | 12.2 | — | 11.64 | — | ns |
| 409 | Input data setup time before clock rising edge (external clock) | | | 0.0 | — | 0.0 | — | 0.0 | — | 0.0 | — | ns |
| 410 | Input data hold time after clock rising edge (external clock) | | | 9.0 | — | 9.0 | — | 9.0 | — | 9.0 | — | ns |
| 411 | Asynchronous clock cycle | t_{ACC}^3 | $64 \times T_C$ | 320.0 | — | 291.2 | — | 266.9 | — | 232.0 | — | ns |
| 412 | Clock low period | | $t_{ACC}/2 - 10.0$ | 150.0 | — | 135.6 | — | 123.5 | — | 106.0 | — | ns |
| 413 | Clock high period | | $t_{ACC}/2 - 10.0$ | 150.0 | — | 135.6 | — | 123.5 | — | 106.0 | — | ns |
| 414 | Output data setup to clock rising edge (internal clock) | | $t_{ACC}/2 - 30.0$ | 130.0 | — | 115.6 | — | 103.5 | — | 86.0 | — | ns |
| 415 | Output data hold after clock rising edge (internal clock) | | $t_{ACC}/2 - 30.0$ | 130.0 | — | 115.6 | — | 103.5 | — | 86.0 | — | ns |

Notes:

- $V_{CCQH} = 3.3 \text{ V} \pm 0.3 \text{ V}$, $V_{CCQL} = 1.6 \text{ V} \pm 0.1 \text{ V}$; $T_J = -40^\circ\text{C}$ to $+100^\circ\text{C}$, $C_L = 50 \text{ pF}$.
- t_{SCC} = synchronous clock cycle time (for internal clock, t_{SCC} is determined by the SCI clock control register and T_C).
- t_{ACC} = asynchronous clock cycle time; value given for 1X Clock mode (for internal clock, t_{ACC} is determined by the SCI clock control register and T_C).
- In the timing diagrams that follow, the SCLK is drawn using the clock falling edge as a the first reference. Clock polarity is programmable in the SCI Control Register (SCR). Refer to the *DSP56321 Reference Manual* for details.

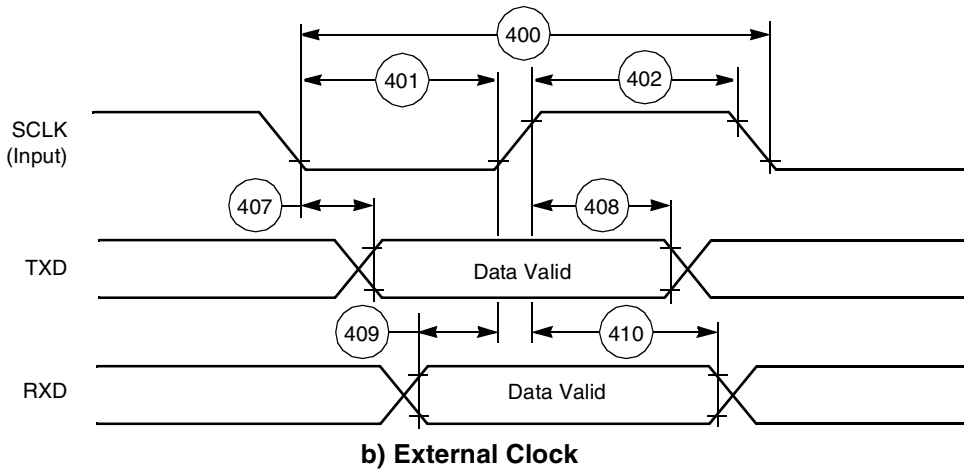
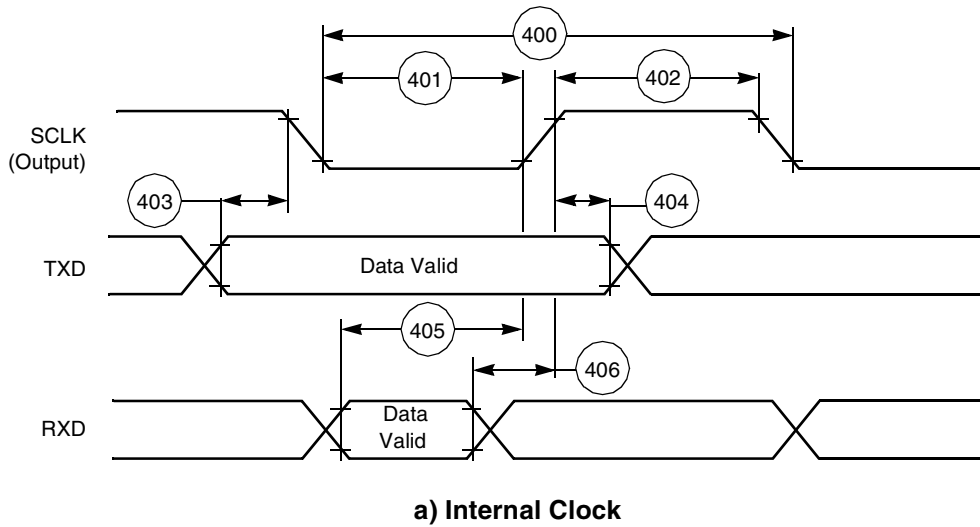


Figure 2-22. SCI Synchronous Mode Timing

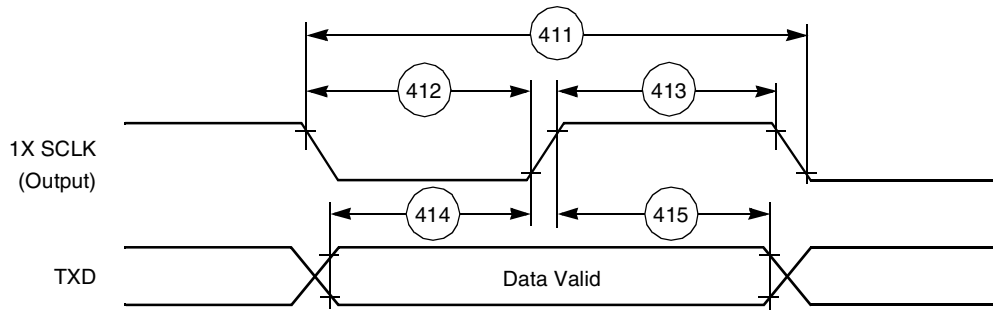


Figure 2-23. SCI Asynchronous Mode Timing

Because of an order from the United States International Trade Commission, BGA-packaged product lines and part numbers indicated here currently are not available from Freescale for import or sale in the United States prior to September 2010: DSP56321VF200, DSP56321VF240, DSP56321VF275, DSP56321VL200, DSP56321VL220, DSP56321VL240, DSP56321VL275

2.4.8 ESSI0/ESSI1 Timing

Table 2-12. ESSI Timings

| No. | Characteristics ^{4, 6} | Symbol | Expression | 200 MHz | | 220 MHz | | 240 MHz | | 275 MHz | | Condition ⁵ | Unit |
|-----|--|------------|---|---------|------|---------|------|---------|------|---------|------|------------------------|------|
| | | | | Min | Max | Min | Max | Min | Max | Min | Max | | |
| 430 | Clock cycle ¹ | T_{ECCX} | $6 \times T_C$ | 30.0 | — | 27.3 | — | 25.0 | — | 21.5 | — | x ck | ns |
| | | T_{ECCI} | $8 \times T_C$ | 40.0 | — | 36.6 | — | 33.3 | — | 25.0 | — | i ck | ns |
| 431 | Clock high period • For internal clock • For external clock | | $T_{ECCX}/2 - 3.7$ $T_{ECCI}/2 - 10.0$ | 11.3 | — | 9.9 | — | 8.8 | — | 7.21 | — | | ns |
| | | | | 10.0 | — | 8.2 | — | 6.7 | — | 2.5 | — | | ns |
| 432 | Clock low period • For internal clock • For external clock | | $T_{ECCX}/2 - 3.7$ $T_{ECCI}/2 - 10.0$ | 11.3 | — | 9.9 | — | 8.8 | — | 7.21 | — | | ns |
| | | | | 10.0 | — | 8.2 | — | 6.7 | — | 2.5 | — | | ns |
| 433 | RXC rising edge to FSR out (bit-length) high | | | — | 12.5 | — | 12.5 | — | 12.5 | — | 12.5 | x ck | ns |
| | | | | — | 8.3 | — | 8.3 | — | 8.3 | — | 8.3 | i ck a | |
| 434 | RXC rising edge to FSR out (bit-length) low | | | — | 12.5 | — | 12.5 | — | 12.5 | — | 12.5 | x ck | ns |
| | | | | — | 8.3 | — | 8.3 | — | 8.3 | — | 8.3 | i ck a | |
| 435 | RXC rising edge to FSR out (word-length-relative) high ² | | | — | 12.5 | — | 12.5 | — | 12.5 | — | 12.5 | x ck | ns |
| | | | | — | 8.3 | — | 8.3 | — | 8.3 | — | 8.3 | i ck a | |
| 436 | RXC rising edge to FSR out (word-length-relative) low ² | | | — | 12.5 | — | 12.5 | — | 12.5 | — | 12.5 | x ck | ns |
| | | | | — | 8.3 | — | 8.3 | — | 8.3 | — | 8.3 | i ck a | |
| 437 | RXC rising edge to FSR out (word-length) high | | | — | 12.5 | — | 12.5 | — | 12.5 | — | 12.5 | x ck | ns |
| | | | | — | 8.3 | — | 8.3 | — | 8.3 | — | 8.3 | i ck a | |
| 438 | RXC rising edge to FSR out (word-length) low | | | — | 12.5 | — | 12.5 | — | 12.5 | — | 12.5 | x ck | ns |
| | | | | — | 8.3 | — | 8.3 | — | 8.3 | — | 8.3 | i ck a | |
| 439 | Data in setup time before RXC (SCK in Synchronous mode) falling edge | | | 5.0 | — | 5.0 | — | 5.0 | — | 5.0 | — | x ck | ns |
| | | | | 10.0 | — | 10.0 | — | 10.0 | — | 10.0 | — | i ck | |
| 440 | Data in hold time after RXC falling edge | | | 3.8 | — | 3.8 | — | 3.8 | — | 3.8 | — | x ck | ns |
| | | | | 5.0 | — | 5.0 | — | 5.0 | — | 5.0 | — | i ck | |
| 441 | FSR input (bl, wr) high before RXC falling edge ² | | | 5.0 | — | 5.0 | — | 5.0 | — | 5.0 | — | x ck | ns |
| | | | | 10.0 | — | 10.0 | — | 10.0 | — | 10.0 | — | i ck a | |
| 442 | FSR input (wl) high before RXC falling edge | | | 5.0 | — | 5.0 | — | 5.0 | — | 5.0 | — | x ck | ns |
| | | | | 10.0 | — | 10.0 | — | 10.0 | — | 10.0 | — | i ck a | |
| 443 | FSR input hold time after RXC falling edge | | | 3.8 | — | 3.8 | — | 3.8 | — | 3.8 | — | x ck | ns |
| | | | | 5.0 | — | 5.0 | — | 5.0 | — | 5.0 | — | i ck a | |
| 444 | Flags input setup before RXC falling edge | | | 5.0 | — | 5.0 | — | 5.0 | — | 5.0 | — | x ck | ns |
| | | | | 10.0 | — | 10.0 | — | 10.0 | — | 10.0 | — | i ck s | |
| 445 | Flags input hold time after RXC falling edge | | | 3.8 | — | 3.8 | — | 3.8 | — | 3.8 | — | x ck | ns |
| | | | | 5.0 | — | 5.0 | — | 5.0 | — | 5.0 | — | i ck s | |
| 446 | TXC rising edge to FST out (bit-length) high | | | — | 12.5 | — | 12.5 | — | 12.5 | — | 12.5 | x ck | ns |
| | | | | — | 8.3 | — | 8.3 | — | 8.3 | — | 8.3 | i ck | |
| 447 | TXC rising edge to FST out (bit-length) low | | | — | 12.5 | — | 12.5 | — | 12.5 | — | 12.5 | x ck | ns |
| | | | | — | 8.3 | — | 8.3 | — | 8.3 | — | 8.3 | i ck | |
| 448 | TXC rising edge to FST out (word-length-relative) high ² | | | — | 12.5 | — | 12.5 | — | 12.5 | — | 12.5 | x ck | ns |
| | | | | — | 8.3 | — | 8.3 | — | 8.3 | — | 8.3 | i ck | |
| 449 | TXC rising edge to FST out (word-length-relative) low ² | | | — | 12.5 | — | 12.5 | — | 12.5 | — | 12.5 | x ck | ns |
| | | | | — | 8.3 | — | 8.3 | — | 8.3 | — | 8.3 | i ck | |
| 450 | TXC rising edge to FST out (word-length) high | | | — | 12.5 | — | 12.5 | — | 12.5 | — | 12.5 | x ck | ns |
| | | | | — | 8.3 | — | 8.3 | — | 8.3 | — | 8.3 | i ck | |

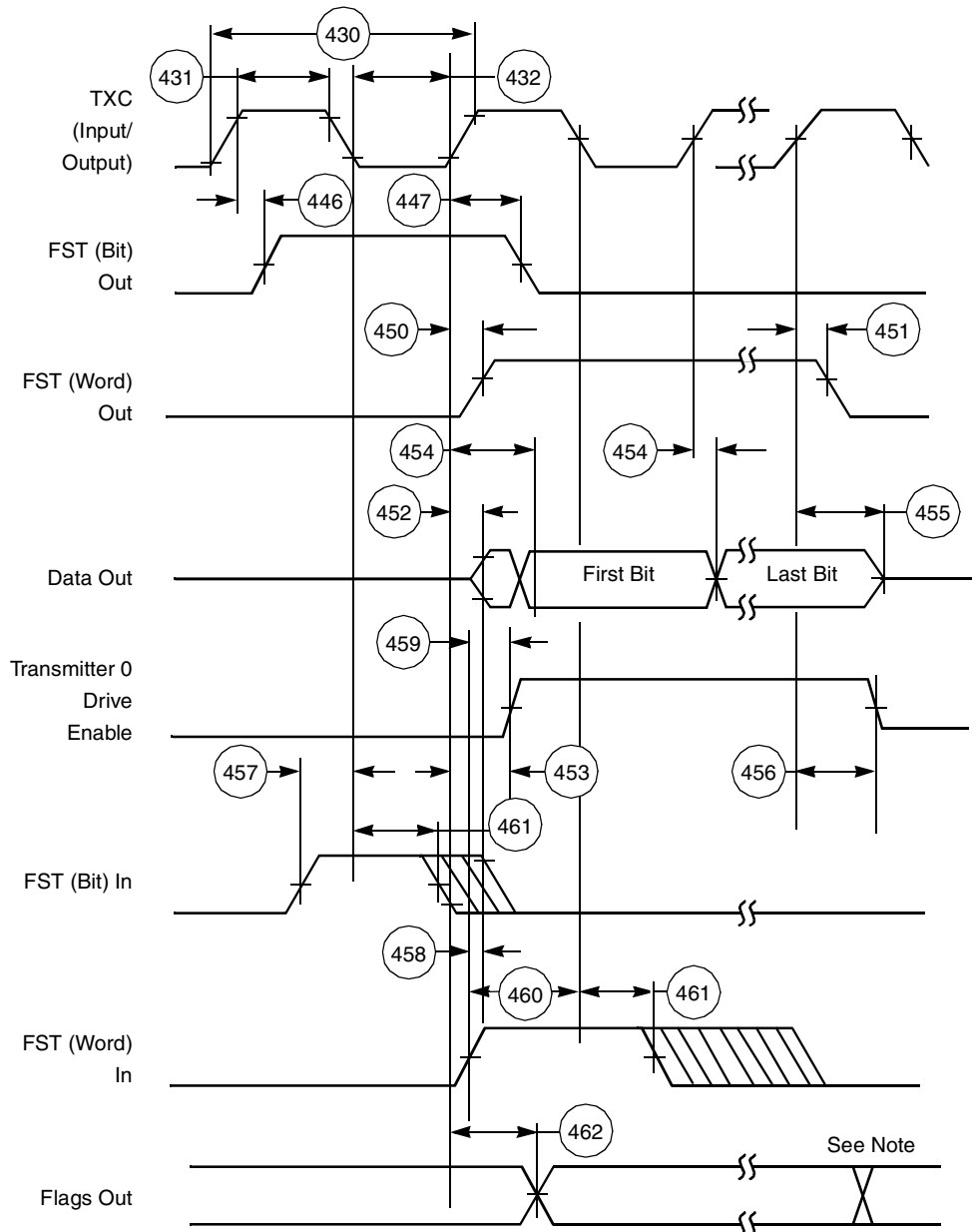
Table 2-12. ESSI Timings (Continued)

| No. | Characteristics ^{4, 6} | Symbol | Expression | 200 MHz | | 220 MHz | | 240 MHz | | 275 MHz | | Condition ⁵ | Unit |
|-----|--|--------|------------|-------------|--------------|-------------|--------------|-------------|--------------|-------------|--------------|------------------------|------|
| | | | | Min | Max | Min | Max | Min | Max | Min | Max | | |
| 451 | TXC rising edge to FST out (word-length) low | | | — | 12.5 8.3 | — | 12.5 8.3 | — | 12.5 8.3 | — | 12.5 8.3 | x ck i ck | ns |
| 452 | TXC rising edge to data out enable from high impedance | | | — | 12.5 8.3 | — | 12.5 8.3 | — | 12.5 8.3 | — | 12.5 8.3 | x ck i ck | ns |
| 453 | TXC rising edge to Transmitter 0 drive enable assertion | | | — | 12.5 13.5 | — | 12.5 13.5 | — | 12.5 13.5 | — | 12.5 13.5 | x ck i ck | ns |
| 454 | TXC rising edge to data out valid | | | — | 12.5 8.3 | — | 12.5 8.3 | — | 12.5 8.3 | — | 12.5 8.3 | x ck i ck | ns |
| 455 | TXC rising edge to data out high impedance ³ | | | — | 30.0 8.3 | — | 30.0 8.3 | — | 30.0 8.3 | — | 30.0 8.3 | x ck i ck | ns |
| 456 | TXC rising edge to Transmitter 0 drive enable deassertion ³ | | | — | 12.5 8.3 | — | 12.5 8.3 | — | 12.5 8.3 | — | 12.5 8.3 | x ck i ck | ns |
| 457 | FST input (bl, wr) setup time before TXC falling edge ² | | | 5.0 10.0 | — — | 5.0 10.0 | — — | 5.0 10.0 | — — | 5.0 10.0 | — — | x ck i ck | ns |
| 458 | FST input (wl) to data out enable from high impedance | | | — | 15.0 8.0 | — | 15.0 8.0 | — | 15.0 8.0 | — | 15.0 8.0 | x ck i ck | ns |
| 459 | FST input (wl) to Transmitter 0 drive enable assertion | | | — | 15.0 18.0 | — | 15.0 18.0 | — | 15.0 18.0 | — | 15.0 18.0 | x ck i ck | ns |
| 460 | FST input (wl) setup time before TXC falling edge | | | 5.0 10.0 | — — | 5.0 10.0 | — — | 5.0 10.0 | — — | 5.0 10.0 | — — | x ck i ck | ns |
| 461 | FST input hold time after TXC falling edge | | | 3.8 5.0 | — — | 3.8 5.0 | — — | 3.8 5.0 | — — | 3.8 5.0 | — — | x ck i ck | ns |
| 462 | Flag output valid after TXC rising edge | | | — | 12.5 8.3 | — | 12.5 8.3 | — | 12.5 8.3 | — | 12.5 8.3 | x ck i ck | ns |

Notes:

- For the internal clock, the external clock cycle is defined by the instruction cycle time (timing 7 in **Table 2-5** on page 2-4) and the ESSI control register. T_{ECCX} must be $\geq T_C \times 3$, in accordance with the note below Table 7-1 in the *DSP56321 Reference Manual*. T_{ECCI} must be $\geq T_C \times 4$, in accordance with the explanation of CRA[PSR] and the *ESSI Clock Generator Functional Block Diagram* shown in **Figure 7-3** of the *DSP56321 Reference Manual*.
- The word-length-relative frame sync signal waveform operates the same way as the bit-length frame sync signal waveform, but spreads from one serial clock before the first bit clock (same as the Bit Length Frame Sync signal) until the one before last bit clock of the first word in the frame.
- Periodically sampled and not 100 percent tested
- $V_{CCQH} = 3.3 V \pm 0.3 V$, $V_{CCQL} = 1.6 V \pm 0.1 V$; $T_J = 0^\circ C$ to $+85^\circ C$, $C_L = 50 pF$
- TXC (SCK Pin) = Transmit Clock
RXC (SC0 or SCK Pin) = Receive Clock
FST (SC2 Pin) = Transmit Frame Sync
FSR (SC1 or SC2 Pin) Receive Frame Sync
- i ck = Internal Clock; x ck = External Clock
i ck a = Internal Clock, Asynchronous Mode (asynchronous implies that TXC and RXC are two different clocks)
i ck s = Internal Clock, Synchronous Mode (synchronous implies that TXC and RXC are the same clock)
- In the timing diagrams below, the clocks and frame sync signals are drawn using the clock falling edge as a the first reference. Clock and frame sync polarities are programmable in Control Register B (CRB). Refer to the *DSP56321 Reference Manual* for details.

Because of an order from the United States International Trade Commission, BGA-packaged product lines and part numbers indicated here currently are not available from Freescale for import or sale in the United States prior to September 2010: DSP56321VF200, DSP56321VF240, DSP56321VF275, DSP56321VL200, DSP56321VL220, DSP56321VL240, DSP56321VL275



Note: In Network mode, output flag transitions can occur at the start of each time slot within the frame. In Normal mode, the output flag state is asserted for the entire frame period.

Figure 2-24. ESSI Transmitter Timing

Because of an order from the United States International Trade Commission, BGA-packaged product lines and part numbers indicated here currently are not available from Freescale for import or sale in the United States prior to September 2010: DSP56321VF200, DSP56321VF220, DSP56321VF240, DSP56321VF275, DSP56321VL200, DSP56321VL220, DSP56321VL240, DSP56321VL275

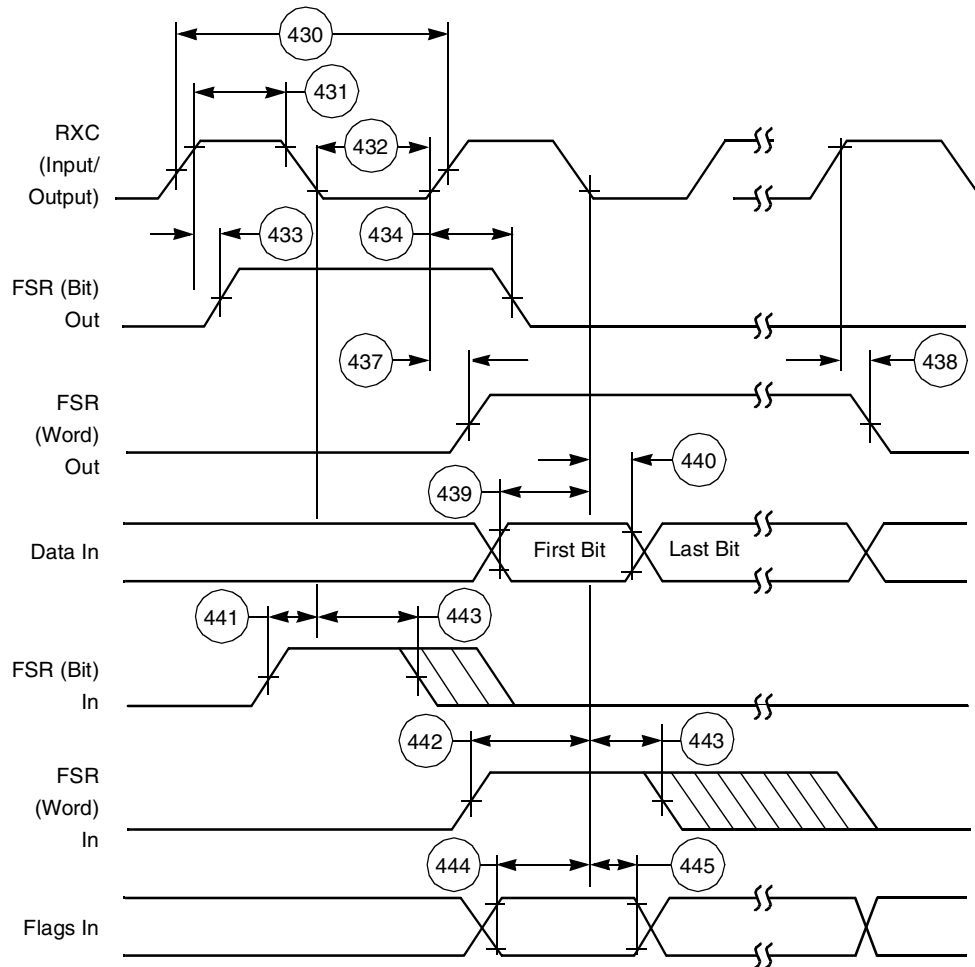


Figure 2-25. ESSI Receiver Timing

2.4.9 Timer Timing

Table 2-13. Timer Timings

| No. | Characteristics | Expression | 200 MHz | | 220 MHz | | 240 MHz | | 240 MHz | | Unit |
|-----|--|---------------------------|-----------|-----|-----------|-----|-----------|-----|-----------|-----|------|
| | | | Min | Max | Min | Max | Min | Max | Min | Max | |
| 480 | TIO Low | $2 \times T_C + 2.0$ | 12.0 | — | 11.1 | — | 10.3 | — | 9.27 | — | ns |
| 481 | TIO High | $2 \times T_C + 2.0$ | 12.0 | — | 11.1 | — | 10.3 | — | 9.27 | — | ns |
| 486 | Synchronous delay time from Timer input rising edge to the external memory address out valid caused by the first interrupt instruction execution | $10.25 \times T_C + 10.0$ | 61.2 5 | — | 56.6 4 | — | 52.7 4 | — | 47.2 7 | — | ns |

Notes:

1. $V_{CCQH} = 3.3 \text{ V} \pm 0.3 \text{ V}$, $V_{CCQL} = 1.6 \text{ V} \pm 0.1 \text{ V}$; $T_J = -40^\circ\text{C}$ to $+100^\circ\text{C}$, $C_L = 50 \text{ pF}$
2. The maximum frequency of pulses generated by a timer will be defined after device characterization is completed.
3. In the timing diagrams below, TIO is drawn using the rising edge as the reference. TIO polarity is programmable in the Timer Control/Status Register (TCSR). Refer to the *DSP56321 Reference Manual* for details.

Because of an order from the United States International Trade Commission, BGA-packaged product lines and part numbers indicated here currently are not available from Freescale for import or sale in the United States prior to September 2010: DSP56321VF200, DSP56321VF240, DSP56321VF275, DSP56321VL200, DSP56321VL220, DSP56321VL240, DSP56321VL275

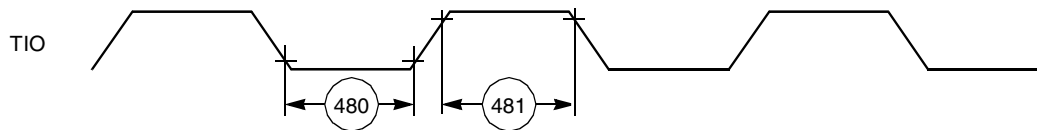


Figure 2-26. TIO Timer Event Input Restrictions

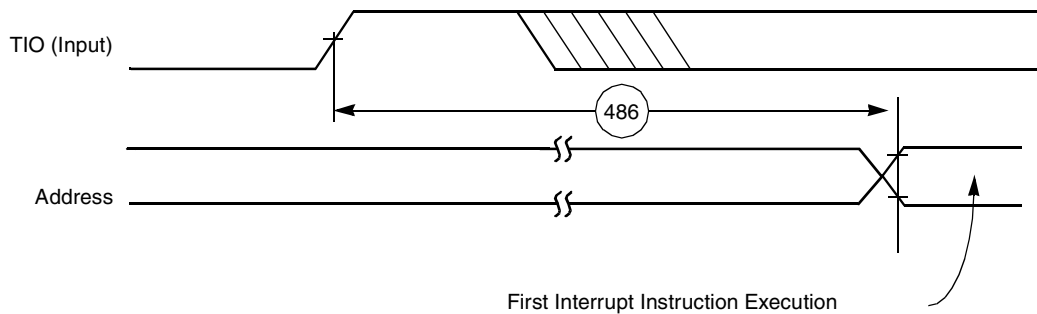


Figure 2-27. Timer Interrupt Generation

2.4.10 Considerations For GPIO Use

The following considerations can be helpful when GPIO is used.

2.4.10.1 GPIO as Output

- The time from fetch of the instruction that changes the GPIO pin to the actual change is seven core clock cycles, if the instruction is a one-cycle instruction and there are no pipeline stalls or any other pipeline delays.
- The maximum rise or fall time of a GPIO pin is 13 ns (TTL levels, assuming that the maximum of 50 pF load limit is met).

2.4.10.2 GPIO as Input

GPIO inputs are not synchronized with the core clock. When only one GPIO bit is polled, this lack of synchronization presents no problem, since the read value can be either the previous value or the new value of the corresponding GPIO pin. However, there is the risk of reading an intermediate state if:

- Two or more GPIO bits are treated as a coupled group (for example, four possible status states encoded in two bits).
- The read operation occurs during a simultaneous change of GPIO pins (for example, the change of 00 to 11 may happen through an intermediate state of 01 or 10).

Therefore, when GPIO bits are read, the recommended practice is to poll continuously until two consecutive read operations have identical results.

2.4.11 JTAG Timing

Table 2-14. JTAG Timing

| No. | Characteristics | All frequencies | | Unit |
|-----|--|-----------------|------|------|
| | | Min | Max | |
| 500 | TCK frequency of operation ($1/(T_C \times 3)$; absolute maximum 22 MHz) | 0.0 | 22.0 | MHz |
| 501 | TCK cycle time in Crystal mode | 45.0 | — | ns |
| 502 | TCK clock pulse width measured at 1.6 V | 20.0 | — | ns |
| 503 | TCK rise and fall times | 0.0 | 3.0 | ns |
| 504 | Boundary scan input data setup time | 5.0 | — | ns |
| 505 | Boundary scan input data hold time | 24.0 | — | ns |
| 506 | TCK low to output data valid | 0.0 | 40.0 | ns |
| 507 | TCK low to output high impedance | 0.0 | 40.0 | ns |
| 508 | TMS, TDI data setup time | 5.0 | — | ns |
| 509 | TMS, TDI data hold time | 25.0 | — | ns |
| 510 | TCK low to TDO data valid | 0.0 | 44.0 | ns |
| 511 | TCK low to TDO high impedance | 0.0 | 44.0 | ns |
| 512 | $\overline{\text{TRST}}$ assert time | 100.0 | — | ns |
| 513 | $\overline{\text{TRST}}$ setup time to TCK low | 40.0 | — | ns |

Notes:

- $V_{CCQH} = 3.3 \text{ V} \pm 0.3 \text{ V}$, $V_{CCQL} = 1.6 \text{ V} \pm 0.1 \text{ V}$; $T_J = -40^\circ\text{C}$ to $+100^\circ\text{C}$, $C_L = 50 \text{ pF}$.
- All timings apply to OnCE module data transfers because it uses the JTAG port as an interface.

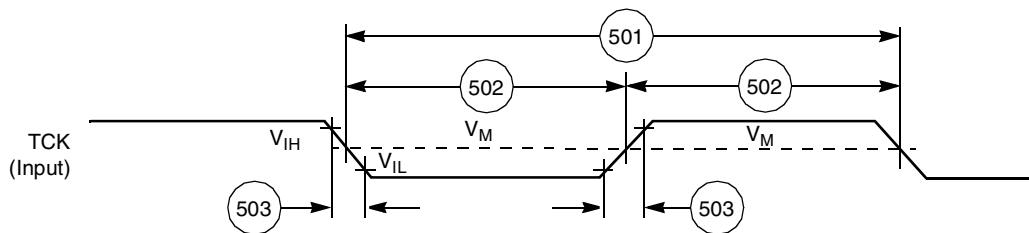


Figure 2-28. Test Clock Input Timing Diagram

Because of an order from the United States International Trade Commission, BGA-packaged product lines and part numbers indicated here currently are not available from Freescale for import or sale in the United States prior to September 2010: DSP56321VF200, DSP56321VF220, DSP56321VF240, DSP56321VF275, DSP56321VL200, DSP56321VL220, DSP56321VL240, DSP56321VL275

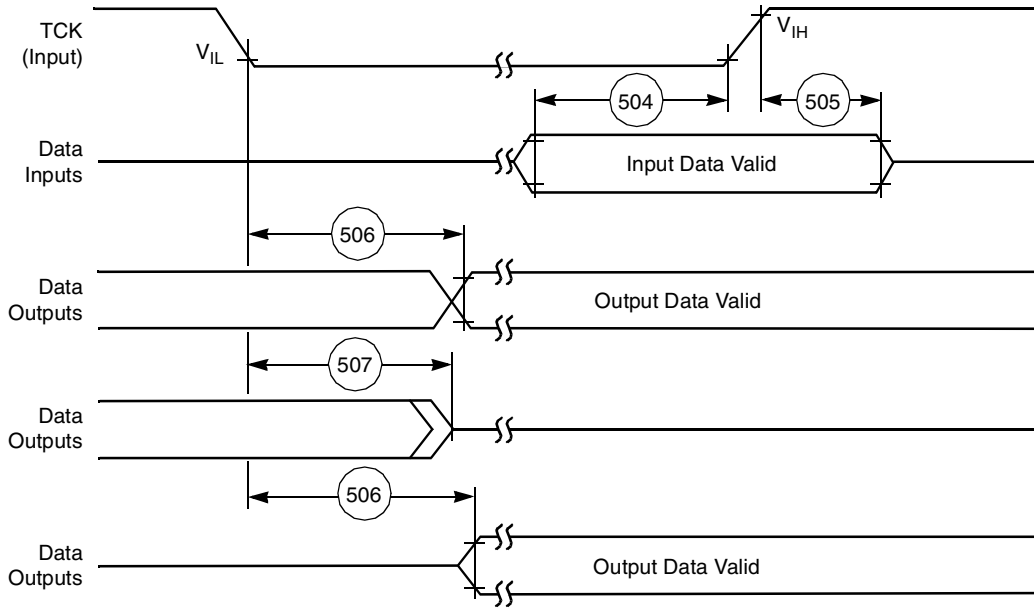


Figure 2-29. Boundary Scan (JTAG) Timing Diagram

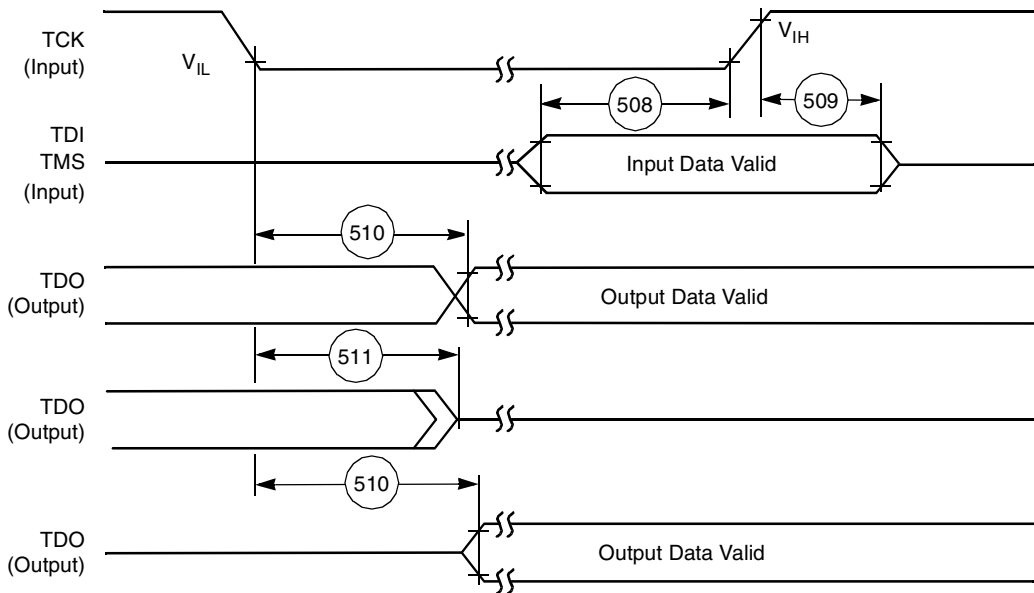


Figure 2-30. Test Access Port Timing Diagram

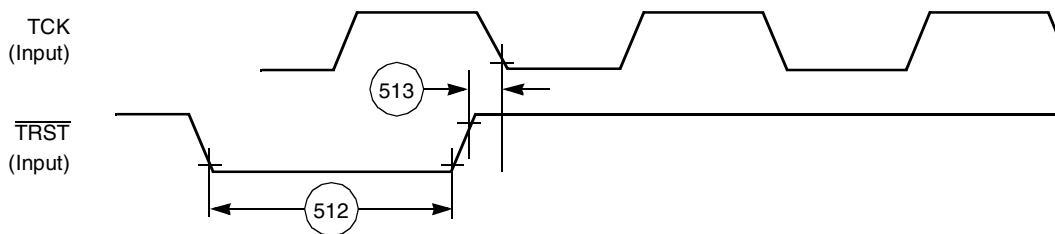


Figure 2-31. $\overline{\text{TRST}}$ Timing Diagram

Because of an order from the United States International Trade Commission, BGA-packaged product lines and part numbers indicated here currently are not available from Freescale for import or sale in the United States prior to September 2010: DSP56321VF200, DSP56321VF220, DSP56321VF240, DSP56321VF275, DSP56321VL200, DSP56321VL220, DSP56321VL240, DSP56321VL275

2.4.12 OnCE Module Timing

Table 2-15. OnCE Module Timing

| No. | Characteristics | Expression | All Frequencies | | Unit |
|-----|--|-------------------------|-----------------|------|------|
| | | | Min | Max | |
| 500 | TCK frequency of operation ($1/(T_C \times 3)$; maximum 22 MHz) | Max 22.0 MHz | 0.0 | 22.0 | MHz |
| 514 | \overline{DE} assertion time in order to enter Debug mode | $1.5 \times T_C + 10.0$ | 20.0 | — | ns |
| 515 | Response time when DSP56321 is executing NOP instructions from internal memory | $5.5 \times T_C + 30.0$ | — | 67.0 | ns |
| 516 | Debug acknowledge assertion time | $3 \times T_C + 5.0$ | 25.0 | — | ns |

Note: $V_{CCQH} = 3.3 \text{ V} \pm 0.3 \text{ V}$, $V_{CCQL} = 1.6 \text{ V} \pm 0.1 \text{ V}$; $T_J = -40^\circ\text{C}$ to $+100^\circ\text{C}$, $C_L = 50 \text{ pF}$

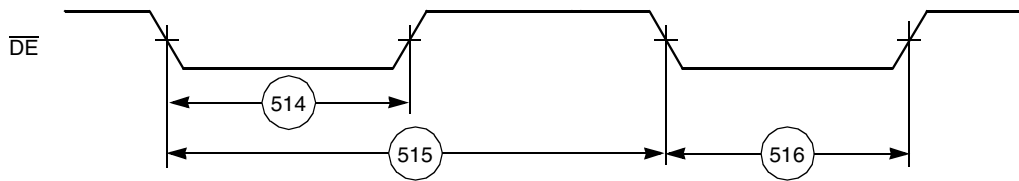


Figure 2-32. OnCE—Debug Request

Because of an order from the United States International Trade Commission, BGA-packaged product lines and part numbers indicated here currently are not available from Freescale for import or sale in the United States prior to September 2010: DSP56321VF200, DSP56321VF240, DSP56321VF275, DSP56321VL200, DSP56321VL220, DSP56321VL240, DSP56321VL275

Packaging

3

This section includes diagrams of the DSP56321 package pin-outs and tables showing how the signals described in **Chapter 1** are allocated for the package. The DSP56321 is available in a 196-pin molded array plastic-ball grid array (MAP-BGA) package.

Because of an order from the United States International Trade Commission, BGA-packaged product lines and part numbers indicated here currently are not available from Freescale for import or sale in the United States prior to September 2010: DSP56321VF200, DSP56321VF220, DSP56321VF240, DSP56321VF275, DSP56321VL200, DSP56321VL220, DSP56321VL240, DSP56321VL275

3.1 Package Description

Top and bottom views of the MAP-BGA packages are shown in **Figure 3-1** and **Figure 3-2** with their pin-outs.

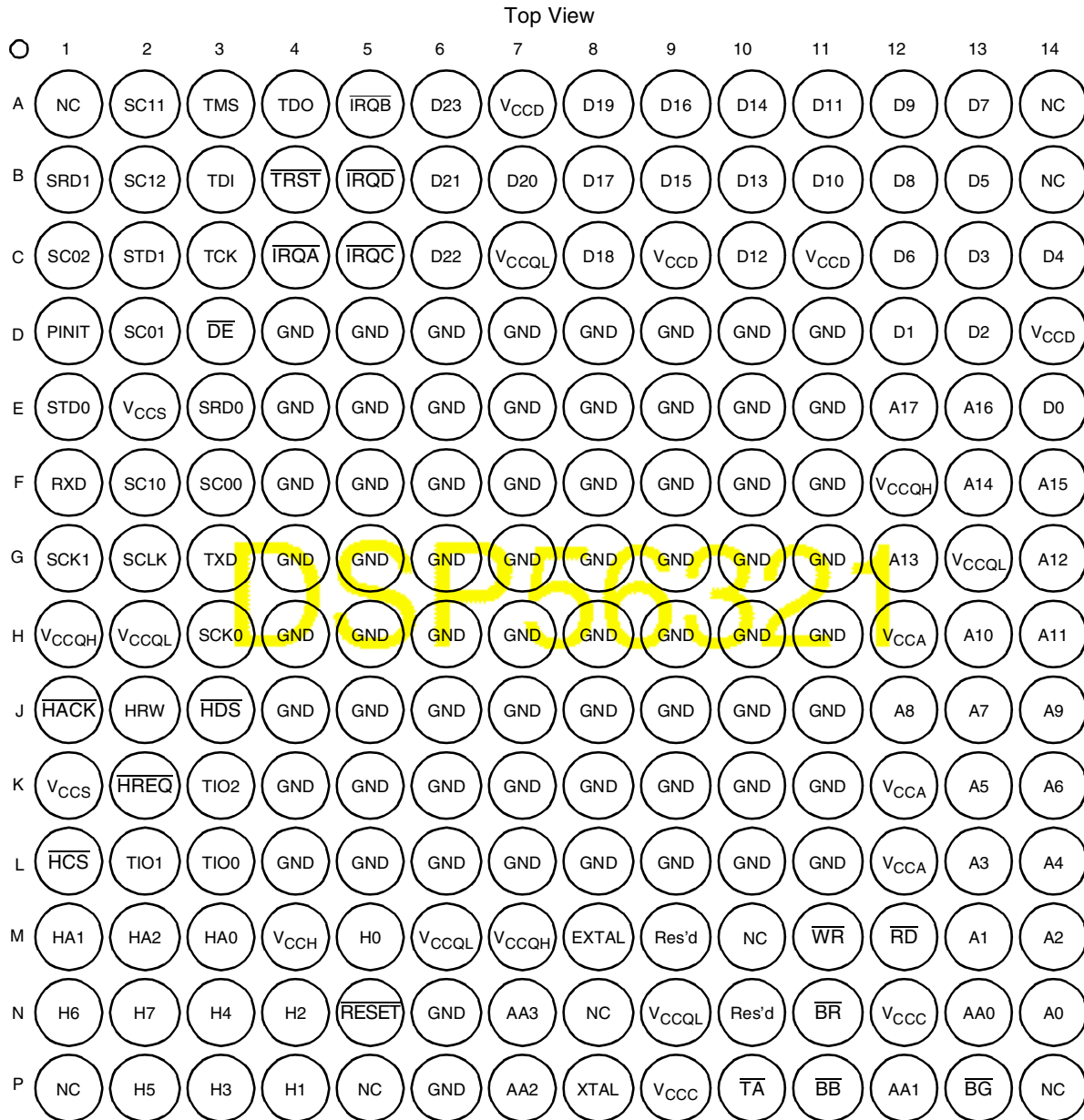


Figure 3-1. DSP56321 MAP-BGA Package, Top View

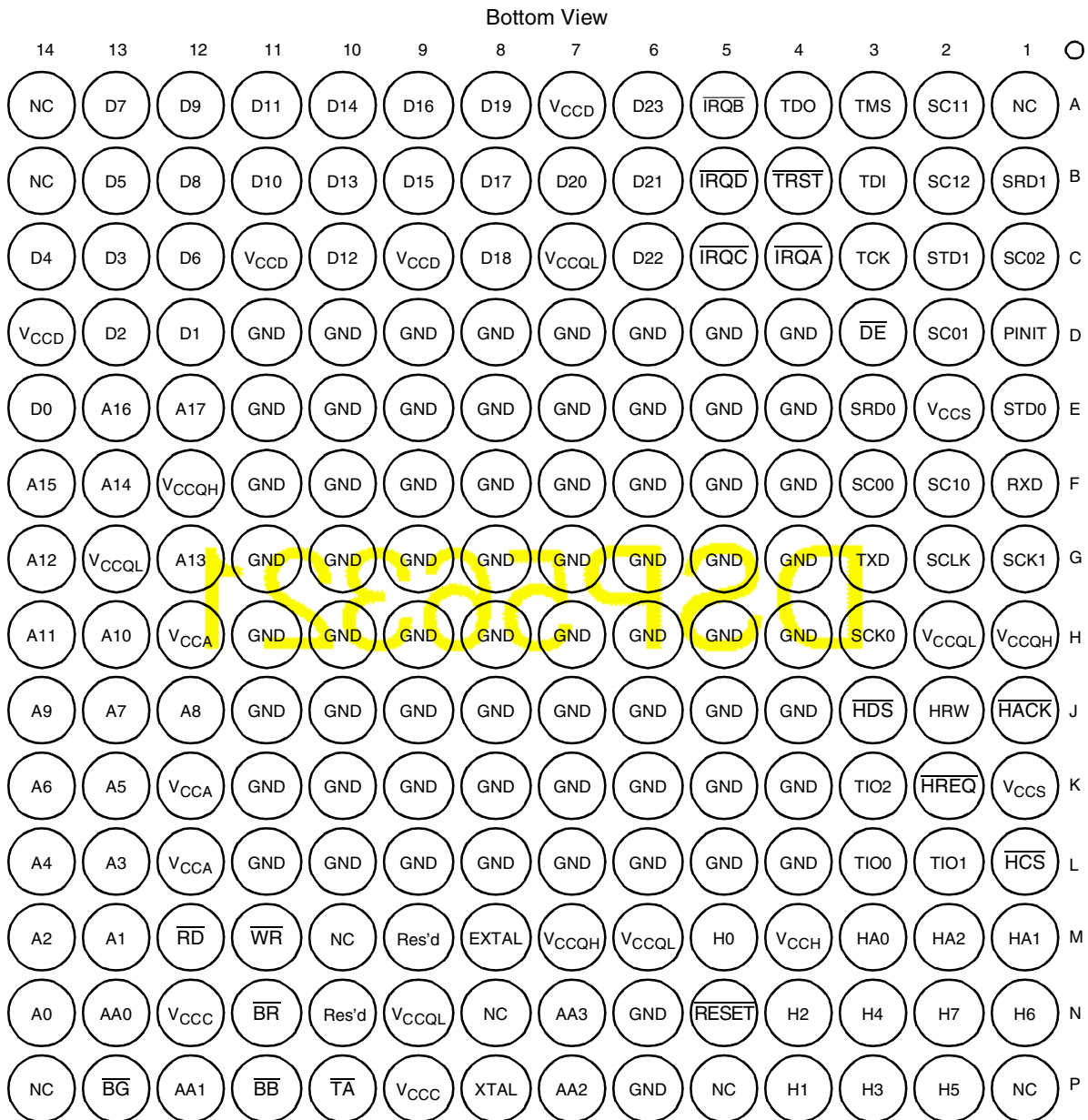


Figure 3-2. DSP56321 MAP-BGA Package, Bottom View

Because of an order from the United States International Trade Commission, BGA-packaged product lines and part numbers indicated here currently are not available from Freescale for import or sale in the United States prior to September 2010: DSP56321VF200, DSP56321VF220, DSP56321VF240, DSP56321VF275, DSP56321VL200, DSP56321VL220, DSP56321VL240, DSP56321VL275

Table 3-1. Signal List by Ball Number

| Ball No. | Signal Name | Ball No. | Signal Name | Ball No. | Signal Name |
|----------|--------------------------------|----------|--------------------------------|----------|------------------|
| A1 | Not Connected (NC) | B12 | D8 | D9 | GND |
| A2 | SC11 or PD1 | B13 | D5 | D10 | GND |
| A3 | TMS | B14 | NC | D11 | GND |
| A4 | TDO | C1 | SC02 or PC2 | D12 | D1 |
| A5 | MODB/ $\overline{\text{IRQB}}$ | C2 | STD1 or PD5 | D13 | D2 |
| A6 | D23 | C3 | TCK | D14 | V _{CCD} |
| A7 | V _{CCD} | C4 | MODA/ $\overline{\text{IRQA}}$ | E1 | STD0 or PC5 |
| A8 | D19 | C5 | MODC/ $\overline{\text{IRQC}}$ | E2 | V _{CCS} |
| A9 | D16 | C6 | D22 | E3 | SRD0 or PC4 |
| A10 | D14 | C7 | V _{CCQL} | E4 | GND |
| A11 | D11 | C8 | D18 | E5 | GND |
| A12 | D9 | C9 | V _{CCD} | E6 | GND |
| A13 | D7 | C10 | D12 | E7 | GND |
| A14 | NC | C11 | V _{CCD} | E8 | GND |
| B1 | SRD1 or PD4 | C12 | D6 | E9 | GND |
| B2 | SC12 or PD2 | C13 | D3 | E10 | GND |
| B3 | TDI | C14 | D4 | E11 | GND |
| B4 | $\overline{\text{TRST}}$ | D1 | PINIT/ $\overline{\text{NMI}}$ | E12 | A17 |
| B5 | MODD/ $\overline{\text{IRQD}}$ | D2 | SC01 or PC1 | E13 | A16 |
| B6 | D21 | D3 | $\overline{\text{DE}}$ | E14 | D0 |
| B7 | D20 | D4 | GND | F1 | RXD or PE0 |
| B8 | D17 | D5 | GND | F2 | SC10 or PD0 |
| B9 | D15 | D6 | GND | F3 | SC00 or PC0 |
| B10 | D13 | D7 | GND | F4 | GND |
| B11 | D10 | D8 | GND | F5 | GND |

Because of an order from the United States International Trade Commission, BGA-packaged product lines and part numbers indicated here currently are not available from Freescale for import or sale in the United States prior to September 2010: DSP56321VF200, DSP56321VF240, DSP56321VF275, DSP56321VL200, DSP56321VL220, DSP56321VL240, DSP56321VL275

Table 3-1. Signal List by Ball Number (Continued)

| Ball No. | Signal Name | Ball No. | Signal Name | Ball No. | Signal Name |
|----------|-------------------|----------|--|----------|--|
| F6 | GND | H3 | SCK0 or PC3 | J14 | A9 |
| F7 | GND | H4 | GND | K1 | V _{CCS} |
| F8 | GND | H5 | GND | K2 | $\overline{\text{HREQ}}/\text{HREQ}$, $\overline{\text{HTRQ}}/\text{HTRQ}$, or PB14 |
| F9 | GND | H6 | GND | K3 | TIO2 |
| F10 | GND | H7 | GND | K4 | GND |
| F11 | GND | H8 | GND | K5 | GND |
| F12 | V _{CCQH} | H9 | GND | K6 | GND |
| F13 | A14 | H10 | GND | K7 | GND |
| F14 | A15 | H11 | GND | K8 | GND |
| G1 | SCK1 or PD3 | H12 | V _{CCA} | K9 | GND |
| G2 | SCLK or PE2 | H13 | A10 | K10 | GND |
| G3 | TXD or PE1 | H14 | A11 | K11 | GND |
| G4 | GND | J1 | $\overline{\text{HACK}}/\text{HACK}$, $\overline{\text{HRRQ}}/\text{HRRQ}$, or PB15 | K12 | V _{CCA} |
| G5 | GND | J2 | HRW, $\overline{\text{HRD}}/\text{HRD}$, or PB11 | K13 | A5 |
| G6 | GND | J3 | $\overline{\text{HDS}}/\text{HDS}$, $\overline{\text{HWR}}/\text{HWR}$, or PB12 | K14 | A6 |
| G7 | GND | J4 | GND | L1 | $\overline{\text{HCS}}/\text{HCS}$, HA10, or PB13 |
| G8 | GND | J5 | GND | L2 | TIO1 |
| G9 | GND | J6 | GND | L3 | TIO0 |
| G10 | GND | J7 | GND | L4 | GND |
| G11 | GND | J8 | GND | L5 | GND |
| G12 | A13 | J9 | GND | L6 | GND |
| G13 | V _{CCQL} | J10 | GND | L7 | GND |
| G14 | A12 | J11 | GND | L8 | GND |
| H1 | V _{CCQH} | J12 | A8 | L9 | GND |
| H2 | V _{CCQL} | J13 | A7 | L10 | GND |

Because of an order from the United States International Trade Commission, BGA-packaged product lines and part numbers indicated here currently are not available from Freescale for import or sale in the United States prior to September 2010: DSP56321VF200, DSP56321VF220, DSP56321VF240, DSP56321VF275, DSP56321VL200, DSP56321VL220, DSP56321VL240, DSP56321VL275

Table 3-1. Signal List by Ball Number (Continued)

| Ball No. | Signal Name | Ball No. | Signal Name | Ball No. | Signal Name |
|---|---|----------|---------------------------|----------|------------------------|
| L11 | GND | M13 | A1 | P1 | NC |
| L12 | V _{CCA} | M14 | A2 | P2 | H5, HAD5, or PB5 |
| L13 | A3 | N1 | H6, HAD6, or PB6 | P3 | H3, HAD3, or PB3 |
| L14 | A4 | N2 | H7, HAD7, or PB7 | P4 | H1, HAD1, or PB1 |
| M1 | HA1, HA8, or PB9 | N3 | H4, HAD4, or PB4 | P5 | NC |
| M2 | HA2, HA9, or PB10 | N4 | H2, HAD2, or PB2 | P6 | GND |
| M3 | HA0, $\overline{\text{HAS}}$ /HAS, or PB8 | N5 | $\overline{\text{RESET}}$ | P7 | AA2 |
| M4 | V _{CCH} | N6 | GND | P8 | XTAL |
| M5 | H0, HAD0, or PB0 | N7 | AA3 | P9 | V _{CCC} |
| M6 | V _{CCQL} | N8 | NC | P10 | $\overline{\text{TA}}$ |
| M7 | V _{CCQH} | N9 | V _{CCQL} | P11 | $\overline{\text{BB}}$ |
| M8 | EXTAL | N10 | Reserved | P12 | AA1 |
| M9 | Reserved | N11 | $\overline{\text{BR}}$ | P13 | $\overline{\text{BG}}$ |
| M10 | NC | N12 | V _{CCC} | P14 | NC |
| M11 | $\overline{\text{WR}}$ | N13 | AA0 | | |
| M12 | $\overline{\text{RD}}$ | N14 | A0 | | |
| <p>Note: Signal names are based on configured functionality. Most connections supply a single signal. Some connections provide a signal with dual functionality, such as the MODx/IRQx pins that select an operating mode after $\overline{\text{RESET}}$ is deasserted but act as interrupt lines during operation. Some signals have configurable polarity; these names are shown with and without overbars, such as $\overline{\text{HAS}}$/HAS. Some connections have two or more configurable functions; names assigned to these connections indicate the function for a specific configuration. For example, connection N2 is data line H7 in non-multiplexed bus mode, data/address line HAD7 in multiplexed bus mode, or GPIO line PB7 when the GPIO function is enabled for this pin. Unlike the TQFP package, most of the GND pins are connected internally in the center of the connection array and act as heat sink for the chip.</p> | | | | | |

Because of an order from the United States International Trade Commission, BGA-packaged product lines and part numbers indicated here currently are not available from Freescale for import or sale in the United States prior to September 2010: DSP56321VF200, DSP56321VF220, DSP56321VF240, DSP56321VF275, DSP56321VL200, DSP56321VL220, DSP56321VL240, DSP56321VL275

Table 3-2. Signal List by Signal Name

| Signal Name | Ball No. | Signal Name | Ball No. | Signal Name | Ball No. |
|----------------------------|----------|----------------------------|----------|----------------------------|----------|
| A0 | N14 | $\overline{B\overline{R}}$ | N11 | D9 | A12 |
| A1 | M13 | D0 | E14 | $\overline{D\overline{E}}$ | D3 |
| A10 | H13 | D1 | D12 | EXTAL | M8 |
| A11 | H14 | D10 | B11 | GND | D4 |
| A12 | G14 | D11 | A11 | GND | D5 |
| A13 | G12 | D12 | C10 | GND | D6 |
| A14 | F13 | D13 | B10 | GND | D7 |
| A15 | F14 | D14 | A10 | GND | D8 |
| A16 | E13 | D15 | B9 | GND | D9 |
| A17 | E12 | D16 | A9 | GND | D10 |
| A2 | M14 | D17 | B8 | GND | D11 |
| A3 | L13 | D18 | C8 | GND | E4 |
| A4 | L14 | D19 | A8 | GND | E5 |
| A5 | K13 | D2 | D13 | GND | E6 |
| A6 | K14 | D20 | B7 | GND | E7 |
| A7 | J13 | D21 | B6 | GND | E8 |
| A8 | J12 | D22 | C6 | GND | E9 |
| A9 | J14 | D23 | A6 | GND | E10 |
| AA0 | N13 | D3 | C13 | GND | E11 |
| AA1 | P12 | D4 | C14 | GND | F4 |
| AA2 | P7 | D5 | B13 | GND | F5 |
| AA3 | N7 | D6 | C12 | GND | F6 |
| $\overline{B\overline{B}}$ | P11 | D7 | A13 | GND | F7 |
| $\overline{B\overline{G}}$ | P13 | D8 | B12 | GND | F8 |

Because of an order from the United States International Trade Commission, BGA-packaged product lines and part numbers indicated here currently are not available from Freescale for import or sale in the United States prior to September 2010: DSP56321VF200, DSP56321VF220, DSP56321VF240, DSP56321VF275, DSP56321VL200, DSP56321VL220, DSP56321VL240, DSP56321VL275

Table 3-2. Signal List by Signal Name (Continued)

| Signal Name | Ball No. | Signal Name | Ball No. | Signal Name | Ball No. |
|-------------|----------|-------------|----------|--------------------------------------|----------|
| GND | F9 | GND | K4 | HA1 | M1 |
| GND | F10 | GND | K5 | HA10 | L1 |
| GND | F11 | GND | K6 | HA2 | M2 |
| GND | G4 | GND | K7 | HA8 | M1 |
| GND | G5 | GND | K8 | HA9 | M2 |
| GND | G6 | GND | K9 | $\overline{\text{HACK}}/\text{HACK}$ | J1 |
| GND | G7 | GND | K10 | HAD0 | M5 |
| GND | G8 | GND | K11 | HAD1 | P4 |
| GND | G9 | GND | L4 | HAD2 | N4 |
| GND | G10 | GND | L5 | HAD3 | P3 |
| GND | G11 | GND | L6 | HAD4 | N3 |
| GND | H4 | GND | L7 | HAD5 | P2 |
| GND | H5 | GND | L8 | HAD6 | N1 |
| GND | H6 | GND | L9 | HAD7 | N2 |
| GND | H7 | GND | L10 | $\overline{\text{HAS}}/\text{HAS}$ | M3 |
| GND | H8 | GND | L11 | $\overline{\text{HCS}}/\text{HCS}$ | L1 |
| GND | H9 | GND | N6 | $\overline{\text{HDS}}/\text{HDS}$ | J3 |
| GND | H10 | GND | P6 | $\overline{\text{HRD}}/\text{HRD}$ | J2 |
| GND | H11 | H0 | M5 | $\overline{\text{HREQ}}/\text{HREQ}$ | K2 |
| GND | J4 | H1 | P4 | $\overline{\text{HRRQ}}/\text{HRRQ}$ | J1 |
| GND | J5 | H2 | N4 | HRW | J2 |
| GND | J6 | H3 | P3 | $\overline{\text{HTRQ}}/\text{HTRQ}$ | K2 |
| GND | J7 | H4 | N3 | $\overline{\text{HWR}}/\text{HWR}$ | J3 |
| GND | J8 | H5 | P2 | $\overline{\text{IRQA}}$ | C4 |
| GND | J9 | H6 | N2 | $\overline{\text{IRQB}}$ | A5 |
| GND | J10 | H7 | N2 | $\overline{\text{IRQC}}$ | C5 |
| GND | J11 | HA0 | M3 | $\overline{\text{IRQD}}$ | B5 |

Because of an order from the United States International Trade Commission, BGA-packaged product lines and part numbers indicated here currently are not available from Freescale for import or sale in the United States prior to September 2010: DSP56321VF200, DSP56321VF220, DSP56321VF240, DSP56321VF275, DSP56321VL200, DSP56321VL220, DSP56321VL240, DSP56321VL275

Table 3-2. Signal List by Signal Name (Continued)

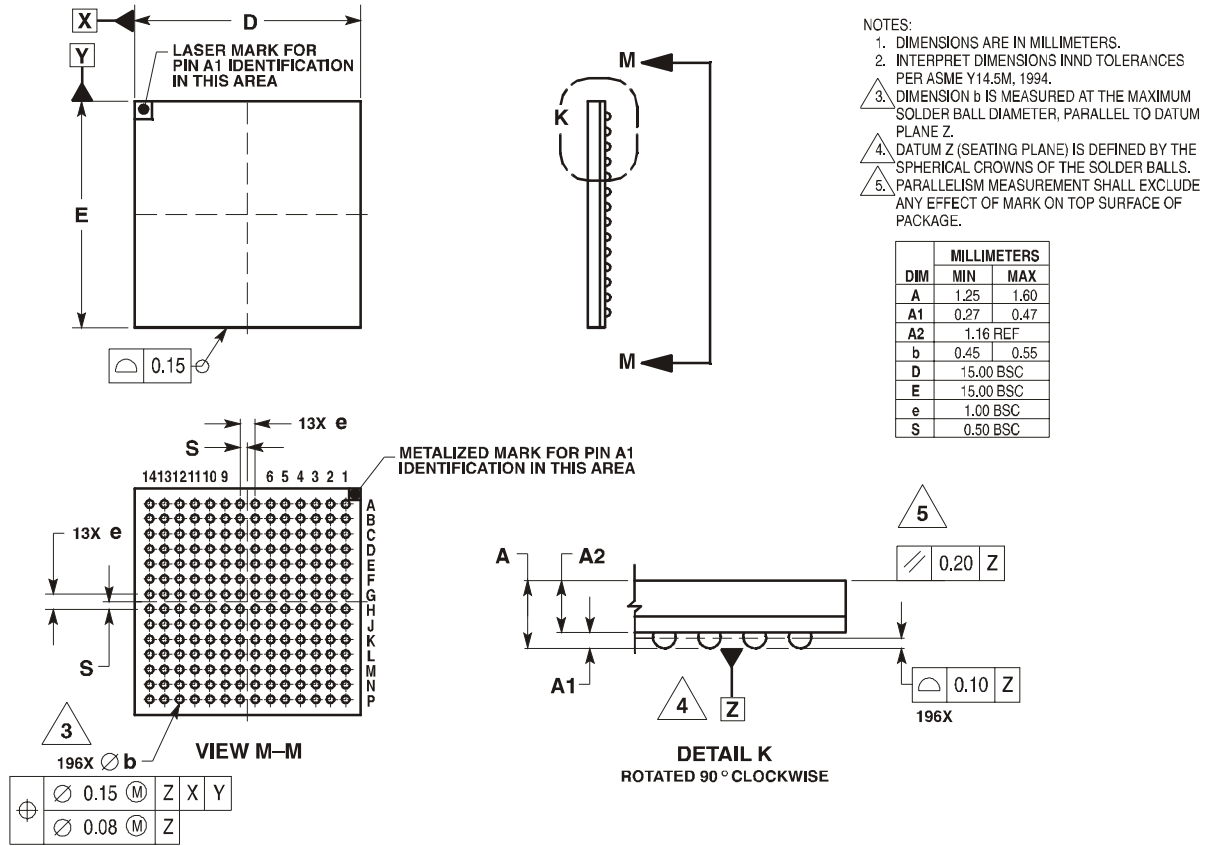
| Signal Name | Ball No. | Signal Name | Ball No. | Signal Name | Ball No. |
|-------------------------|----------|------------------------|----------|---------------------------|----------|
| MODA | C4 | PB4 | N3 | Reserved | M9 |
| MODB | A5 | PB5 | P2 | Reserved | N10 |
| MODC | C5 | PB6 | N1 | $\overline{\text{RESET}}$ | N5 |
| MODD | B5 | PB7 | N2 | RXD | F1 |
| NC | A1 | PB8 | M3 | SC00 | F3 |
| NC | A14 | PB9 | M1 | SC01 | D2 |
| NC | B14 | PC0 | F3 | SC02 | C1 |
| NC | M10 | PC1 | D2 | SC10 | F2 |
| NC | N8 | PC2 | C1 | SC11 | A2 |
| NC | P1 | PC3 | H3 | SC12 | B2 |
| NC | P5 | PC4 | E3 | SCK0 | H3 |
| NC | P14 | PC5 | E1 | SCK1 | G1 |
| $\overline{\text{NMI}}$ | D1 | PD0 | F2 | SCLK | G2 |
| PB0 | M5 | PD1 | A2 | SRD0 | E3 |
| PB1 | P4 | PD2 | B2 | SRD1 | B1 |
| PB10 | M2 | PD3 | G1 | STD0 | E1 |
| PB11 | J2 | PD4 | B1 | STD1 | C2 |
| PB12 | J3 | PD5 | C2 | $\overline{\text{TA}}$ | P10 |
| PB13 | L1 | PE0 | F1 | TCK | C3 |
| PB14 | K2 | PE1 | G3 | TDI | B3 |
| PB15 | J1 | PE2 | G2 | TDO | A4 |
| PB2 | N4 | PINIT | D1 | TIO0 | L3 |
| PB3 | P3 | $\overline{\text{RD}}$ | M12 | TIO1 | L2 |

Because of an order from the United States International Trade Commission, BGA-packaged product lines and part numbers indicated here currently are not available from Freescale for import or sale in the United States prior to September 2010: DSP56321VF200, DSP56321VF220, DSP56321VF240, DSP56321VF275, DSP56321VL200, DSP56321VL220, DSP56321VL240, DSP56321VL275

Table 3-2. Signal List by Signal Name (Continued)

| Signal Name | Ball No. | Signal Name | Ball No. | Signal Name | Ball No. |
|--------------------------|----------|-------------------|----------|------------------------|----------|
| TIO2 | K3 | V _{CC} | P9 | V _{CCQL} | C7 |
| TMS | A3 | V _{CCD} | A7 | V _{CCQL} | G13 |
| $\overline{\text{TRST}}$ | B4 | V _{CCD} | C9 | V _{CCQL} | H2 |
| TXD | G3 | V _{CCD} | C11 | V _{CCQL} | M6 |
| V _{CCA} | H12 | V _{CCD} | D14 | V _{CCQL} | N9 |
| V _{CCA} | K12 | V _{CCH} | M4 | V _{CCS} | E2 |
| V _{CCA} | L12 | V _{CCQH} | F12 | V _{CCS} | K1 |
| V _{CC} | N12 | V _{CCQH} | H1 | $\overline{\text{WR}}$ | M11 |
| | | V _{CCQH} | M7 | XTAL | P8 |

3.2 MAP-BGA Package Mechanical Drawing



CASE 1128C-01
ISSUE O

DATE 07/28/98

Figure 3-3. DSP56321 Mechanical Information, 196-pin MAP-BGA Package

Because of an order from the United States International Trade Commission, BGA-packaged product lines and part numbers indicated here currently are not available from Freescale for import or sale in the United States prior to September 2010: DSP56321VF200, DSP56321VF240, DSP56321VF275, DSP56321VL200, DSP56321VL220, DSP56321VL240, DSP56321VL275

Design Considerations

This section describes various areas to consider when incorporating the DSP56321 device into a system design.

4.1 Thermal Design Considerations

An estimate of the chip junction temperature, T_J , in °C can be obtained from this equation:

$$\text{Equation 1: } T_J = T_A + (P_D \times R_{\theta JA})$$

Where:

| | | |
|-----------------|---|---|
| T_A | = | ambient temperature °C |
| $R_{\theta JA}$ | = | package junction-to-ambient thermal resistance °C/W |
| P_D | = | power dissipation in package |

Historically, thermal resistance has been expressed as the sum of a junction-to-case thermal resistance and a case-to-ambient thermal resistance, as in this equation:

$$\text{Equation 2: } R_{\theta JA} = R_{\theta JC} + R_{\theta CA}$$

Where:

| | | |
|-----------------|---|---|
| $R_{\theta JA}$ | = | package junction-to-ambient thermal resistance °C/W |
| $R_{\theta JC}$ | = | package junction-to-case thermal resistance °C/W |
| $R_{\theta CA}$ | = | package case-to-ambient thermal resistance °C/W |

$R_{\theta JC}$ is device-related and cannot be influenced by the user. The user controls the thermal environment to change the case-to-ambient thermal resistance, $R_{\theta CA}$. For example, the user can change the air flow around the device, add a heat sink, change the mounting arrangement on the printed circuit board (PCB) or otherwise change the thermal dissipation capability of the area surrounding the device on a PCB. This model is most useful for ceramic packages with heat sinks; some 90 percent of the heat flow is dissipated through the case to the heat sink and out to the ambient environment. For ceramic packages, in situations where the heat flow is split between a path to the case and an alternate path through the PCB, analysis of the device thermal performance may need the additional modeling capability of a system-level thermal simulation tool.

The thermal performance of plastic packages is more dependent on the temperature of the PCB to which the package is mounted. Again, if the estimates obtained from $R_{\theta JA}$ do not satisfactorily answer whether the thermal performance is adequate, a system-level model may be appropriate.

A complicating factor is the existence of three common ways to determine the junction-to-case thermal resistance in plastic packages.

- To minimize temperature variation across the surface, the thermal resistance is measured from the junction to the outside surface of the package (case) closest to the chip mounting area when that surface has a proper heat sink.

Design Considerations

- To define a value approximately equal to a junction-to-board thermal resistance, the thermal resistance is measured from the junction to the point at which the leads attach to the case.
- If the temperature of the package case (T_T) is determined by a thermocouple, thermal resistance is computed from the value obtained by the equation $(T_J - T_T)/P_D$.

As noted earlier, the junction-to-case thermal resistances quoted in this data sheet are determined using the first definition. From a practical standpoint, that value is also suitable to determine the junction temperature from a case thermocouple reading in forced convection environments. In natural convection, the use of the junction-to-case thermal resistance to estimate junction temperature from a thermocouple reading on the case of the package will yield an estimate of a junction temperature slightly higher than actual temperature. Hence, the new thermal metric, thermal characterization parameter or Ψ_{JT} , has been defined to be $(T_J - T_T)/P_D$. This value gives a better estimate of the junction temperature in natural convection when the surface temperature of the package is used. Remember that surface temperature readings of packages are subject to significant errors caused by inadequate attachment of the sensor to the surface and to errors caused by heat loss to the sensor. The recommended technique is to attach a 40-gauge thermocouple wire and bead to the top center of the package with thermally conductive epoxy.

4.2 Electrical Design Considerations

CAUTION

This device contains protective circuitry to guard against damage due to high static voltage or electrical fields. However, normal precautions are advised to avoid application of any voltages higher than maximum rated voltages to this high-impedance circuit. Reliability of operation is enhanced if unused inputs are tied to an appropriate logic voltage level (for example, either GND or V_{CC}).

Use the following list of recommendations to ensure correct DSP operation.

- Provide a low-impedance path from the board power supply to each V_{CC} pin on the DSP and from the board ground to each GND pin.
- Use at least four 0.01–0.1 μF bypass capacitors for V_{CCQL} (core) and at least six 0.01–0.1 μF bypass capacitors for the other V_{CC} (I/O) power connections positioned as closely as possible to the four sides of the package to connect the power sources to GND.
- Ensure that capacitor leads and associated printed circuit traces that connect to the chip V_{CC} and GND pins are less than 0.5 inch per capacitor lead.
- Use at least a four-layer PCB with two inner layers for V_{CC} and GND.
- Because the DSP output signals have fast rise and fall times, PCB trace lengths should be minimal. This recommendation particularly applies to the address and data buses as well as the $\overline{\text{IRQA}}$, $\overline{\text{IRQB}}$, $\overline{\text{IRQC}}$, $\overline{\text{IRQD}}$, $\overline{\text{TA}}$, and $\overline{\text{BG}}$ pins. Maximum PCB trace lengths on the order of 6 inches are recommended.

- Consider all device loads as well as parasitic capacitance due to PCB traces when you calculate capacitance. This is especially critical in systems with higher capacitive loads that could create higher transient currents in the V_{CC} and GND circuits.
- All inputs must be terminated (that is, not allowed to float) by CMOS levels except for the three pins with internal pull-up resistors (\overline{TRST} , TMS, \overline{DE}).
- The following pins must be asserted during the power-up sequence: \overline{RESET} and \overline{TRST} . A stable EXTAL signal should be supplied before deassertion of \overline{RESET} . If the V_{CC} reaches the required level before EXTAL is stable or other “required \overline{RESET} duration” conditions are met (see **Table 2-7**), the device circuitry can be in an uninitialized state that may result in significant power consumption and heat-up. Designs should minimize this condition to the shortest possible duration.
- Ensure that during power-up, and throughout the DSP56321 operation, V_{CCQH} is always higher or equal to the V_{CCQL} voltage level.
- If multiple DSP devices are on the same board, check for cross-talk or excessive spikes on the supplies due to synchronous operation of the devices.
- The Port A data bus (D[0–23]), HI08, ESSI0, ESSI1, SCI, and timers all use internal keepers to maintain the last output value even when the internal signal is tri-stated. Typically, no pull-up or pull-down resistors should be used with these signal lines. However, if the DSP is connected to a device that requires pull-up resistors (such as an MPC8260), the recommended resistor value is 10 K Ω or less. If more than one DSP must be connected in parallel to the other device, the pull-up resistor value requirement changes as follows:
 - 2 DSPs = 5 K Ω (mask sets 0K91M and 1K91M)/7 K Ω (mask set 0K93M) or less
 - 3 DSPs = 3 K Ω (mask sets 0K91M and 1K91M)/4 K Ω (mask set 0K93M) or less
 - 4 DSPs = 2 K Ω (mask sets 0K91M and 1K91M)/3 K Ω (mask set 0K93M) or less
 - 5 DSPs = 1.5 K Ω (mask sets 0K91M and 1K91M)/2 K Ω (mask set 0K93M) or less
 - 6 DSPs = 1 K Ω (mask sets 0K91M and 1K91M)/1.5 K Ω (mask set 0K93M) or less

Note: Refer to *EB610/D DSP56321/DSP56321T Power-Up Sequencing Guidelines* for detailed information about minimizing power consumption during startup.

4.3 Power Consumption Considerations

Power dissipation is a key issue in portable DSP applications. Some of the factors affecting current consumption are described in this section. Most of the current consumed by CMOS devices is alternating current (ac), which is charging and discharging the capacitances of the pins and internal nodes.

Current consumption is described by this formula:

$$\text{Equation 3: } I = C \times V \times f$$

Where:

| | | |
|---|---|------------------------------|
| C | = | node/pin capacitance |
| V | = | voltage swing |
| f | = | frequency of node/pin toggle |

Example 4-1. Current Consumption

For a Port A address pin loaded with 50 pF capacitance, operating at 3.3 V, with a 66 MHz clock, toggling at its maximum possible rate (33 MHz), the current consumption is expressed in **Equation 4**.

$$\text{Equation 4: } I = 50 \times 10^{-12} \times 3.3 \times 33 \times 10^6 = 5.48 \text{ mA}$$

The maximum internal current ($I_{CC1\text{max}}$) value reflects the typical possible switching of the internal buses on best-case operation conditions—not necessarily a real application case. The typical internal current ($I_{CC1\text{typ}}$) value reflects the average switching of the internal buses on typical operating conditions.

Perform the following steps for applications that require very low current consumption:

1. Set the EBD bit when you are not accessing external memory.
2. Minimize external memory accesses, and use internal memory accesses.
3. Minimize the number of pins that are switching.
4. Minimize the capacitive load on the pins.
5. Connect the unused inputs to pull-up or pull-down resistors.
6. Disable unused peripherals.
7. Disable unused pin activity (for example, CLKOUT, XTAL).

One way to evaluate power consumption is to use a current-per-MIPS measurement methodology to minimize specific board effects (that is, to compensate for measured board current not caused by the DSP). A benchmark power consumption test algorithm is listed in **Appendix A**. Use the test algorithm, specific test current measurements, and the following equation to derive the current-per-MIPS value.

$$\text{Equation 5: } \text{ } / \text{ MIPS} = I / \text{ MHz} = (I_{\text{typF2}} - I_{\text{typF1}}) / (F2 - F1)$$

Where:

| | | |
|--------------------|---|---|
| I_{typF2} | = | current at F2 |
| I_{typF1} | = | current at F1 |
| F2 | = | high frequency (any specified operating frequency) |
| F1 | = | low frequency (any specified operating frequency lower than F2) |

Note: F1 should be significantly less than F2. For example, F2 could be 66 MHz and F1 could be 33 MHz. The degree of difference between F1 and F2 determines the amount of precision with which the current rating can be determined for an application.

4.4 Input (EXTAL) Jitter Requirements

The allowed jitter on the frequency of EXTAL is 0.5 percent. If the rate of change of the frequency of EXTAL is slow (that is, it does not jump between the minimum and maximum values in one cycle) or the frequency of the jitter is fast (that is, it does not stay at an extreme value for a long time), then the allowed jitter can be 2 percent. The phase and frequency jitter performance results are valid only if the input jitter is less than the prescribed values.

Power Consumption Benchmark

A

The following benchmark program evaluates DSP56321 power use in a test situation. It enables the PLL, disables the external clock, and uses repeated multiply-accumulate (MAC) instructions with a set of synthetic DSP application data to emulate intensive sustained DSP operation.

```
;*****
;*****
;*
;*          CHECKS   Typical Power Consumption   *
;*
;*****

page 200,55,0,0,0
nolist

I_VEC EQU $000000; Interrupt vectors for program debug only
START EQU $8000; MAIN (external) program starting address
INT_PROG EQU $100 ; INTERNAL program memory starting address
INT_XDAT EQU $0; INTERNAL X-data memory starting address
INT_YDAT EQU $0; INTERNAL Y-data memory starting address

INCLUDE "ioequ.asm"
INCLUDE "integu.asm"

list

org P:START

;
movep #$0243FF,x:M_BCR ; ; BCR: Area 3 = 2 w.s (SRAM)
; Default: 2w.s (SRAM)
;
movep #$00000F,x:M_PCTL ; XTAL disable
; PLL enable
;
; Load the program
;
move #INT_PROG,r0
move #PROG_START,r1
do #(PROG_END-PROG_START), PLOAD_LOOP
move p:(r1)+,x0
move x0,p:(r0)+
nop
PLOAD_LOOP
;
; Load the X-data
;
move #INT_XDAT,r0
move #XDAT_START,r1
do #(XDAT_END-XDAT_START), XLOAD_LOOP
move p:(r1)+,x0
move x0,x:(r0)+
XLOAD_LOOP
```

Power Consumption Benchmark

```
;
; Load the Y-data
;
    move    #INT_YDAT,r0
    move    #YDAT_START,r1
    do      #(YDAT_END-YDAT_START),YLOAD_LOOP
    move    p:(r1)+,x0
    move    x0,y:(r0)+
YLOAD_LOOP
;
    jmp     INT_PROG

PROG_START
    move    #$0,r0
    move    #$0,r4
    move    #$3f,m0
    move    #$3f,m4
;
    clr     a
    clr     b
    move    #$0,x0
    move    #$0,x1
    move    #$0,y0
    move    #$0,y1
    bset    #4,omr        ; ebd
;
sbr    dor    #60,_end
    mac     x0,y0,ax:(r0)+,x1    y:(r4)+,y1
    mac     x1,y1,ax:(r0)+,x0    y:(r4)+,y0
    add     a,b
    mac     x0,y0,ax:(r0)+,x1
    mac     x1,y1,a            y:(r4)+,y0
    move    b1,x:$ff
_end
    bra     sbr
    nop
    nop
    nop
    nop
PROG_END
    nop
    nop

XDAT_START
;    org     x:0
    dc     $262EB9
    dc     $86F2FE
    dc     $E56A5F
    dc     $616CAC
    dc     $8FFD75
    dc     $9210A
    dc     $A06D7B
    dc     $CEA798
    dc     $8DFBF1
    dc     $A063D6
    dc     $6C6657
    dc     $C2A544
    dc     $A3662D
    dc     $A4E762
    dc     $84F0F3
    dc     $E6F1B0
```

```

dc      $B3829
dc      $8BF7AE
dc      $63A94F
dc      $EF78DC
dc      $242DE5
dc      $A3E0BA
dc      $EBAB6B
dc      $8726C8
dc      $CA361
dc      $2F6E86
dc      $A57347
dc      $4BE774
dc      $8F349D
dc      $A1ED12
dc      $4BFCE3
dc      $EA26E0
dc      $CD7D99
dc      $4BA85E
dc      $27A43F
dc      $A8B10C
dc      $D3A55
dc      $25EC6A
dc      $2A255B
dc      $A5F1F8
dc      $2426D1
dc      $AE6536
dc      $CBBC37
dc      $6235A4
dc      $37F0D
dc      $63BEC2
dc      $A5E4D3
dc      $8CE810
dc      $3FF09
dc      $60E50E
dc      $CFFB2F
dc      $40753C
dc      $8262C5
dc      $CA641A
dc      $EB3B4B
dc      $2DA928
dc      $AB6641
dc      $28A7E6
dc      $4E2127
dc      $482FD4
dc      $7257D
dc      $E53C72
dc      $1A8C3
dc      $E27540

```

XDAT_END

YDAT_START

```

;      org      y:0
dc      $5B6DA
dc      $C3F70B
dc      $6A39E8
dc      $81E801
dc      $C666A6
dc      $46F8E7
dc      $AAEC94
dc      $24233D
dc      $802732
dc      $2E3C83
dc      $A43E00

```

Power Consumption Benchmark

```
dc      $C2B639
dc      $85A47E
dc      $ABFDDF
dc      $F3A2C
dc      $2D7CF5
dc      $E16A8A
dc      $ECB8FB
dc      $4BED18
dc      $43F371
dc      $83A556
dc      $E1E9D7
dc      $ACA2C4
dc      $8135AD
dc      $2CE0E2
dc      $8F2C73
dc      $432730
dc      $A87FA9
dc      $4A292E
dc      $A63CCF
dc      $6BA65C
dc      $E06D65
dc      $1AA3A
dc      $A1B6EB
dc      $48AC48
dc      $EF7AE1
dc      $6E3006
dc      $62F6C7
dc      $6064F4
dc      $87E41D
dc      $CB2692
dc      $2C3863
dc      $C6BC60
dc      $43A519
dc      $6139DE
dc      $ADF7BF
dc      $4B3E8C
dc      $6079D5
dc      $E0F5EA
dc      $8230DB
dc      $A3B778
dc      $2BFE51
dc      $E0A6B6
dc      $68FFB7
dc      $28F324
dc      $8F2E8D
dc      $667842
dc      $83E053
dc      $A1FD90
dc      $6B2689
dc      $85B68E
dc      $622EAF
dc      $6162BC
dc      $E4A245
```

YDAT_END

```
;*****
;
;   EQUATES for DSP56321 I/O registers and ports
;
;*****
```

page 132,55,0,0,0

opt mex


```

ioequ  ident  1,0

;-----
;
;      EQUATES for I/O Port Programming
;
;-----

;      Register Addresses

M_HDR EQU $FFFFC9      ; Host port GPIO data Register
M_HDDR EQU $FFFFC8     ; Host port GPIO direction Register
M_PCRC EQU $FFFFBF    ; Port C Control Register
M_PSRC EQU $FFFFBE    ; Port C Direction Register
M_PDRD EQU $FFFFBD    ; Port C GPIO Data Register
M_PCRD EQU $FFFFAF    ; Port D Control register
M_PSRD EQU $FFFFAE    ; Port D Direction Data Register
M_PDRD EQU $FFFFAD    ; Port D GPIO Data Register
M_PCRE EQU $FFFF9F    ; Port E Control register
M_PPRE EQU $FFFF9E    ; Port E Direction Register
M_PDRE EQU $FFFF9D    ; Port E Data Register
M_OGDB EQU $FFFFFC    ; OnCE GDB Register

;-----
;
;      EQUATES for Host Interface
;
;-----

;      Register Addresses

M_HCR EQU $FFFFC2      ; Host Control Register
M_HSR EQU $FFFFC3      ; Host Status Register
M_HPCR EQU $FFFFC4     ; Host Polarity Control Register
M_HBAR EQU $FFFFC5     ; Host Base Address Register
M_HRX EQU $FFFFC6      ; Host Receive Register
M_HTX EQU $FFFFC7      ; Host Transmit Register

;      HCR bits definition
M_HRIE EQU $0          ; Host Receive interrupts Enable
M_HTIE EQU $1          ; Host Transmit Interrupt Enable
M_HCIE EQU $2          ; Host Command Interrupt Enable
M_HF2 EQU $3           ; Host Flag 2
M_HF3 EQU $4           ; Host Flag 3

;      HSR bits definition
M_HRDF EQU $0          ; Host Receive Data Full
M_HTDE EQU $1          ; Host Receive Data Empty
M_HCP EQU $2           ; Host Command Pending
M_HF0 EQU $3           ; Host Flag 0
M_HF1 EQU $4           ; Host Flag 1

;      HPCR bits definition
M_HGEN EQU $0          ; Host Port GPIO Enable
M_HA8EN EQU $1         ; Host Address 8 Enable
M_HA9EN EQU $2         ; Host Address 9 Enable
M_HCSEN EQU $3         ; Host Chip Select Enable
M_HREN EQU $4          ; Host Request Enable
M_HAEN EQU $5          ; Host Acknowledge Enable
M_HEN EQU $6           ; Host Enable

```

Power Consumption Benchmark

```
M_HOD EQU $8 ; Host Request Open Drain mode
M_HDSP EQU $9 ; Host Data Strobe Polarity
M_HASP EQU $A ; Host Address Strobe Polarity
M_HMUX EQU $B ; Host Multiplexed bus select
M_HD_HS EQU $C ; Host Double/Single Strobe select
M_HCSP EQU $D ; Host Chip Select Polarity
M_HRP EQU $E ; Host Request Polarity
M_HAP EQU $F ; Host Acknowledge Polarity

;-----
;
; EQUATES for Serial Communications Interface (SCI)
;
;-----

; Register Addresses

M_STXH EQU $FFFF97 ; SCI Transmit Data Register (high)
M_STXM EQU $FFFF96 ; SCI Transmit Data Register (middle)
M_STXL EQU $FFFF95 ; SCI Transmit Data Register (low)
M_SRXH EQU $FFFF9A ; SCI Receive Data Register (high)
M_SRXM EQU $FFFF99 ; SCI Receive Data Register (middle)
M_SRXL EQU $FFFF98 ; SCI Receive Data Register (low)
M_STXA EQU $FFFF94 ; SCI Transmit Address Register
M_SCR EQU $FFFF9C ; SCI Control Register
M_SSR EQU $FFFF93 ; SCI Status Register
M_SCCR EQU $FFFF9B ; SCI Clock Control Register

; SCI Control Register Bit Flags

M_WDS EQU $7 ; Word Select Mask (WDS0-WDS3)
M_WDS0 EQU 0 ; Word Select 0
M_WDS1 EQU 1 ; Word Select 1
M_WDS2 EQU 2 ; Word Select 2
M_SSFTD EQU 3 ; SCI Shift Direction
M_SBK EQU 4 ; Send Break
M_WAKE EQU 5 ; Wakeup Mode Select
M_RWU EQU 6 ; Receiver Wakeup Enable
M_WOMS EQU 7 ; Wired-OR Mode Select
M_SCRE EQU 8 ; SCI Receiver Enable
M_SCTE EQU 9 ; SCI Transmitter Enable
M_ILIE EQU 10 ; Idle Line Interrupt Enable
M_SCRIE EQU 11 ; SCI Receive Interrupt Enable
M_SCTIE EQU 12 ; SCI Transmit Interrupt Enable
M_TMIE EQU 13 ; Timer Interrupt Enable
M_TIR EQU 14 ; Timer Interrupt Rate
M_SCKP EQU 15 ; SCI Clock Polarity
M_REIE EQU 16 ; SCI Error Interrupt Enable (REIE)

; SCI Status Register Bit Flags

M_TRNE EQU 0 ; Transmitter Empty
M_TDRE EQU 1 ; Transmit Data Register Empty
M_RDRF EQU 2 ; Receive Data Register Full
M_IDLE EQU 3 ; Idle Line Flag
M_OR EQU 4 ; Overrun Error Flag
M_PE EQU 5 ; Parity Error
M_FE EQU 6 ; Framing Error Flag
M_R8 EQU 7 ; Received Bit 8 (R8) Address

; SCI Clock Control Register
```

```

M_CD EQU $FFF          ; Clock Divider Mask (CD0-CD11)
M_COD EQU 12           ; Clock Out Divider
M_SCP EQU 13           ; Clock Prescaler
M_RCM EQU 14           ; Receive Clock Mode Source Bit
M_TCM EQU 15           ; Transmit Clock Source Bit

;-----
;
;      EQUATES for Synchronous Serial Interface (SSI)
;
;-----

;
;      Register Addresses Of SSI0
M_TX00 EQU $FFFFBC     ; SSI0 Transmit Data Register 0
M_TX01 EQU $FFFFBB     ; SSI0 Transmit Data Register 1
M_TX02 EQU $FFFFBA     ; SSI0 Transmit Data Register 2
M_TSR0 EQU $FFFFB9     ; SSI0 Time Slot Register
M_RX0 EQU $FFFFB8      ; SSI0 Receive Data Register
M_SISR0 EQU $FFFFB7    ; SSI0 Status Register
M_CRB0 EQU $FFFFB6     ; SSI0 Control Register B
M_CRA0 EQU $FFFFB5     ; SSI0 Control Register A
M_TSMA0 EQU $FFFFB4    ; SSI0 Transmit Slot Mask Register A
M_TSMB0 EQU $FFFFB3    ; SSI0 Transmit Slot Mask Register B
M_RSMA0 EQU $FFFFB2    ; SSI0 Receive Slot Mask Register A
M_RSMB0 EQU $FFFFB1    ; SSI0 Receive Slot Mask Register B

;
;      Register Addresses Of SSI1
M_TX10 EQU $FFFFAC     ; SSI1 Transmit Data Register 0
M_TX11 EQU $FFFFAB     ; SSI1 Transmit Data Register 1
M_TX12 EQU $FFFFAA     ; SSI1 Transmit Data Register 2
M_TSR1 EQU $FFFFA9     ; SSI1 Time Slot Register
M_RX1 EQU $FFFFA8      ; SSI1 Receive Data Register
M_SISR1 EQU $FFFFA7    ; SSI1 Status Register
M_CRB1 EQU $FFFFA6     ; SSI1 Control Register B
M_CRA1 EQU $FFFFA5     ; SSI1 Control Register A
M_TSMA1 EQU $FFFFA4    ; SSI1 Transmit Slot Mask Register A
M_TSMB1 EQU $FFFFA3    ; SSI1 Transmit Slot Mask Register B
M_RSMA1 EQU $FFFFA2    ; SSI1 Receive Slot Mask Register A
M_RSMB1 EQU $FFFFA1    ; SSI1 Receive Slot Mask Register B

;
;      SSI Control Register A Bit Flags

M_PM EQU $FF           ; Prescale Modulus Select Mask (PM0-PM7)
M_PSR EQU 11           ; Prescaler Range
M_DC EQU $1F000        ; Frame Rate Divider Control Mask (DC0-DC7)
M_ALC EQU 18           ; Alignment Control (ALC)
M_WL EQU $38000        ; Word Length Control Mask (WL0-WL7)
M_SSC1 EQU 22          ; Select SC1 as TR #0 drive enable (SSC1)

;
;      SSI Control Register B Bit Flags

M_OF EQU $3            ; Serial Output Flag Mask
M_OF0 EQU 0            ; Serial Output Flag 0
M_OF1 EQU 1            ; Serial Output Flag 1
M_SCD EQU $1C         ; Serial Control Direction Mask
M_SCD0 EQU 2           ; Serial Control 0 Direction
M_SCD1 EQU 3           ; Serial Control 1 Direction
M_SCD2 EQU 4           ; Serial Control 2 Direction
M_SCKD EQU 5           ; Clock Source Direction
M_SHFD EQU 6           ; Shift Direction
M_FSL EQU $180         ; Frame Sync Length Mask (FSL0-FSL1)
M_FSL0 EQU 7           ; Frame Sync Length 0

```

```

M_FSL1 EQU 8           ; Frame Sync Length 1
M_FSR EQU 9           ; Frame Sync Relative Timing
M_FSP EQU 10          ; Frame Sync Polarity
M_CKP EQU 11          ; Clock Polarity
M_SYN EQU 12          ; Sync/Async Control
M_MOD EQU 13          ; SSI Mode Select
M_SSTE EQU $1C000      ; SSI Transmit enable Mask
M_SSTE2 EQU 14        ; SSI Transmit #2 Enable
M_SSTE1 EQU 15        ; SSI Transmit #1 Enable
M_SSTE0 EQU 16        ; SSI Transmit #0 Enable
M_SSRE EQU 17         ; SSI Receive Enable
M_SSTIE EQU 18        ; SSI Transmit Interrupt Enable
M_SSRIE EQU 19        ; SSI Receive Interrupt Enable
M_STLIE EQU 20        ; SSI Transmit Last Slot Interrupt Enable
M_SRLIE EQU 21        ; SSI Receive Last Slot Interrupt Enable
M_STEIE EQU 22        ; SSI Transmit Error Interrupt Enable
M_SREIE EQU 23        ; SI Receive Error Interrupt Enable

; SSI Status Register Bit Flags

M_IF EQU $3           ; Serial Input Flag Mask
M_IF0 EQU 0           ; Serial Input Flag 0
M_IF1 EQU 1           ; Serial Input Flag 1
M_TFS EQU 2           ; Transmit Frame Sync Flag
M_RFS EQU 3           ; Receive Frame Sync Flag
M_TUE EQU 4           ; Transmitter Underrun Error FLaG
M_ROE EQU 5           ; Receiver Overrun Error Flag
M_TDE EQU 6           ; Transmit Data Register Empty
M_RDF EQU 7           ; Receive Data Register Full

; SSI Transmit Slot Mask Register A

M_SSTSA EQU $FFFF     ; SSI Transmit Slot Bits Mask A (TS0-TS15)

; SSI Transmit Slot Mask Register B

M_SSTSB EQU $FFFF     ; SSI Transmit Slot Bits Mask B (TS16-TS31)

; SSI Receive Slot Mask Register A

M_SSRSA EQU $FFFF     ; SSI Receive Slot Bits Mask A (RS0-RS15)

; SSI Receive Slot Mask Register B

M_SSRSB EQU $FFFF     ; SSI Receive Slot Bits Mask B (RS16-RS31)

;-----
;
; EQUATES for Exception Processing
;
;-----

; Register Addresses

M_IPRC EQU $FFFFFF    ; Interrupt Priority Register Core
M_IPRP EQU $FFFFFF    ; Interrupt Priority Register Peripheral

; Interrupt Priority Register Core (IPRC)

M_IAL EQU $7          ; IRQA Mode Mask

```

```

M_IAL0 EQU 0 ; IRQA Mode Interrupt Priority Level (low)
M_IAL1 EQU 1 ; IRQA Mode Interrupt Priority Level (high)
M_IAL2 EQU 2 ; IRQA Mode Trigger Mode
M_IBL EQU $38 ; IRQB Mode Mask
M_IBL0 EQU 3 ; IRQB Mode Interrupt Priority Level (low)
M_IBL1 EQU 4 ; IRQB Mode Interrupt Priority Level (high)
M_IBL2 EQU 5 ; IRQB Mode Trigger Mode
M_ICL EQU $1C0 ; IRQC Mode Mask
M_ICL0 EQU 6 ; IRQC Mode Interrupt Priority Level (low)
M_ICL1 EQU 7 ; IRQC Mode Interrupt Priority Level (high)
M_ICL2 EQU 8 ; IRQC Mode Trigger Mode
M_IDL EQU $E00 ; IRQD Mode Mask
M_IDL0 EQU 9 ; IRQD Mode Interrupt Priority Level (low)
M_IDL1 EQU 10 ; IRQD Mode Interrupt Priority Level (high)
M_IDL2 EQU 11 ; IRQD Mode Trigger Mode
M_D0L EQU $3000 ; DMA0 Interrupt priority Level Mask
M_D0L0 EQU 12 ; DMA0 Interrupt Priority Level (low)
M_D0L1 EQU 13 ; DMA0 Interrupt Priority Level (high)
M_D1L EQU $C000 ; DMA1 Interrupt Priority Level Mask
M_D1L0 EQU 14 ; DMA1 Interrupt Priority Level (low)
M_D1L1 EQU 15 ; DMA1 Interrupt Priority Level (high)
M_D2L EQU $30000 ; DMA2 Interrupt priority Level Mask
M_D2L0 EQU 16 ; DMA2 Interrupt Priority Level (low)
M_D2L1 EQU 17 ; DMA2 Interrupt Priority Level (high)
M_D3L EQU $C0000 ; DMA3 Interrupt Priority Level Mask
M_D3L0 EQU 18 ; DMA3 Interrupt Priority Level (low)
M_D3L1 EQU 19 ; DMA3 Interrupt Priority Level (high)
M_D4L EQU $300000 ; DMA4 Interrupt priority Level Mask
M_D4L0 EQU 20 ; DMA4 Interrupt Priority Level (low)
M_D4L1 EQU 21 ; DMA4 Interrupt Priority Level (high)
M_D5L EQU $C00000 ; DMA5 Interrupt priority Level Mask
M_D5L0 EQU 22 ; DMA5 Interrupt Priority Level (low)
M_D5L1 EQU 23 ; DMA5 Interrupt Priority Level (high)

```

```

; Interrupt Priority Register Peripheral (IPRP)

```

```

M_HPL EQU $3 ; Host Interrupt Priority Level Mask
M_HPL0 EQU 0 ; Host Interrupt Priority Level (low)
M_HPL1 EQU 1 ; Host Interrupt Priority Level (high)
M_S0L EQU $C ; SSI0 Interrupt Priority Level Mask
M_S0L0 EQU 2 ; SSI0 Interrupt Priority Level (low)
M_S0L1 EQU 3 ; SSI0 Interrupt Priority Level (high)
M_S1L EQU $30 ; SSI1 Interrupt Priority Level Mask
M_S1L0 EQU 4 ; SSI1 Interrupt Priority Level (low)
M_S1L1 EQU 5 ; SSI1 Interrupt Priority Level (high)
M_SCL EQU $C0 ; SCI Interrupt Priority Level Mask
M_SCL0 EQU 6 ; SCI Interrupt Priority Level (low)
M_SCL1 EQU 7 ; SCI Interrupt Priority Level (high)
M_T0L EQU $300 ; TIMER Interrupt Priority Level Mask
M_T0L0 EQU 8 ; TIMER Interrupt Priority Level (low)
M_T0L1 EQU 9 ; TIMER Interrupt Priority Level (high)

```

```

;-----
;
; EQUATES for TIMER
;
;-----

```

```

; Register Addresses Of TIMER0

```

```

M_TCSR0 EQU $FFFF8F ; Timer 0 Control/Status Register

```

Because of an order from the United States International Trade Commission, BGA-packaged product lines and part numbers indicated here currently are not available from Freescale for import or sale in the United States prior to September 2010: DSP56321VF200, DSP56321VF240, DSP56321VF275, DSP56321VL200, DSP56321VL220, DSP56321VL240, DSP56321VL275

Power Consumption Benchmark

```
M_TLR0 EQU $FFFF8E ; TIMER0 Load Reg
M_TCPR0 EQU $FFFF8D ; TIMER0 Compare Register
M_TCR0 EQU $FFFF8C ; TIMER0 Count Register

; Register Addresses Of TIMER1

M_TCSR1 EQU $FFFF8B ; TIMER1 Control/Status Register
M_TLR1 EQU $FFFF8A ; TIMER1 Load Reg
M_TCPR1 EQU $FFFF89 ; TIMER1 Compare Register
M_TCR1 EQU $FFFF88 ; TIMER1 Count Register

; Register Addresses Of TIMER2

M_TCSR2 EQU $FFFF87 ; TIMER2 Control/Status Register
M_TLR2 EQU $FFFF86 ; TIMER2 Load Reg
M_TCPR2 EQU $FFFF85 ; TIMER2 Compare Register
M_TCR2 EQU $FFFF84 ; TIMER2 Count Register
M_TPLR EQU $FFFF83 ; TIMER Prescaler Load Register
M_TPCR EQU $FFFF82 ; TIMER Prescaler Count Register

; Timer Control/Status Register Bit Flags

M_TE EQU 0 ; Timer Enable
M_TOIE EQU 1 ; Timer Overflow Interrupt Enable
M_TCIE EQU 2 ; Timer Compare Interrupt Enable
M_TC EQU $F0 ; Timer Control Mask (TC0-TC3)
M_INV EQU 8 ; Inverter Bit
M_TRM EQU 9 ; Timer Restart Mode
M_DIR EQU 11 ; Direction Bit
M_DI EQU 12 ; Data Input
M_DO EQU 13 ; Data Output
M_PCE EQU 15 ; Prescaled Clock Enable
M_TOF EQU 20 ; Timer Overflow Flag
M_TCF EQU 21 ; Timer Compare Flag

; Timer Prescaler Register Bit Flags

M_PS EQU $600000 ; Prescaler Source Mask
M_PS0 EQU 21
M_PS1 EQU 22

; Timer Control Bits
M_TC0 EQU 4 ; Timer Control 0
M_TC1 EQU 5 ; Timer Control 1
M_TC2 EQU 6 ; Timer Control 2
M_TC3 EQU 7 ; Timer Control 3

;-----
;
; EQUATES for Direct Memory Access (DMA)
;-----

; Register Addresses Of DMA
M_DSTR EQU FFFFF4 ; DMA Status Register
M_DOR0 EQU $FFFFF3 ; DMA Offset Register 0
M_DOR1 EQU $FFFFF2 ; DMA Offset Register 1
M_DOR2 EQU $FFFFF1 ; DMA Offset Register 2
M_DOR3 EQU $FFFFF0 ; DMA Offset Register 3
```

```

;      Register Addresses Of DMA0
M_DSR0 EQU $FFFFEF      ; DMA0 Source Address Register
M_DDR0 EQU $FFFFEE      ; DMA0 Destination Address Register
M_DCO0 EQU $FFFFED      ; DMA0 Counter
M_DCR0 EQU $FFFFEC      ; DMA0 Control Register

;      Register Addresses Of DMA1
M_DSR1 EQU $FFFFEB      ; DMA1 Source Address Register
M_DDR1 EQU $FFFFEA      ; DMA1 Destination Address Register
M_DCO1 EQU $FFFFE9      ; DMA1 Counter
M_DCR1 EQU $FFFFE8      ; DMA1 Control Register

;      Register Addresses Of DMA2
M_DSR2 EQU $FFFFE7      ; DMA2 Source Address Register
M_DDR2 EQU $FFFFE6      ; DMA2 Destination Address Register
M_DCO2 EQU $FFFFE5      ; DMA2 Counter
M_DCR2 EQU $FFFFE4      ; DMA2 Control Register

;      Register Addresses Of DMA3
M_DSR3 EQU $FFFFE3      ; DMA3 Source Address Register
M_DDR3 EQU $FFFFE2      ; DMA3 Destination Address Register
M_DCO3 EQU $FFFFE1      ; DMA3 Counter
M_DCR3 EQU $FFFFE0      ; DMA3 Control Register

;      Register Addresses Of DMA4
M_DSR4 EQU $FFFFDF      ; DMA4 Source Address Register
M_DDR4 EQU $FFFFDE      ; DMA4 Destination Address Register
M_DCO4 EQU $FFFFDD      ; DMA4 Counter
M_DCR4 EQU $FFFFDC      ; DMA4 Control Register

;      Register Addresses Of DMA5
M_DSR5 EQU $FFFFDB      ; DMA5 Source Address Register
M_DDR5 EQU $FFFFDA      ; DMA5 Destination Address Register
M_DCO5 EQU $FFFFD9      ; DMA5 Counter
M_DCR5 EQU $FFFFD8      ; DMA5 Control Register

;      DMA Control Register
M_DSS EQU $3            ; DMA Source Space Mask (DSS0-Dss1)
M_DSS0 EQU 0            ; DMA Source Memory space 0
M_DSS1 EQU 1            ; DMA Source Memory space 1
M_DDS EQU $C            ; DMA Destination Space Mask (DDS-DDS1)
M_DDS0 EQU 2            ; DMA Destination Memory Space 0
M_DDS1 EQU 3            ; DMA Destination Memory Space 1
M_DAM EQU $3f0          ; DMA Address Mode Mask (DAM5-DAM0)
M_DAM0 EQU 4            ; DMA Address Mode 0
M_DAM1 EQU 5            ; DMA Address Mode 1
M_DAM2 EQU 6            ; DMA Address Mode 2
M_DAM3 EQU 7            ; DMA Address Mode 3
M_DAM4 EQU 8            ; DMA Address Mode 4
M_DAM5 EQU 9            ; DMA Address Mode 5
M_D3D EQU 10           ; DMA Three Dimensional Mode
M_DRS EQU $F800         ; DMA Request Source Mask (DRS0-DRS4)
M_DCON EQU 16           ; DMA Continuous Mode
M_DPR EQU $6000         ; DMA Channel Priority

```


Power Consumption Benchmark

```

M_DPR0 EQU 17 ; DMA Channel Priority Level (low)
M_DPR1 EQU 18 ; DMA Channel Priority Level (high)
M_DTM EQU $380000 ; DMA Transfer Mode Mask (DTM2-DTM0)
M_DTM0 EQU 19 ; DMA Transfer Mode 0
M_DTM1 EQU 20 ; DMA Transfer Mode 1
M_DTM2 EQU 21 ; DMA Transfer Mode 2
M_DIE EQU 22 ; DMA Interrupt Enable bit
M_DE EQU 23 ; DMA Channel Enable bit

; DMA Status Register

M_DTD EQU $3F ; Channel Transfer Done Status MASK (DTD0-DTD5)
M_DTD0 EQU 0 ; DMA Channel Transfer Done Status 0
M_DTD1 EQU 1 ; DMA Channel Transfer Done Status 1
M_DTD2 EQU 2 ; DMA Channel Transfer Done Status 2
M_DTD3 EQU 3 ; DMA Channel Transfer Done Status 3
M_DTD4 EQU 4 ; DMA Channel Transfer Done Status 4
M_DTD5 EQU 5 ; DMA Channel Transfer Done Status 5
M_DACT EQU 8 ; DMA Active State
M_DCH EQU $E00 ; DMA Active Channel Mask (DCH0-DCH2)
M_DCH0 EQU 9 ; DMA Active Channel 0
M_DCH1 EQU 10 ; DMA Active Channel 1
M_DCH2 EQU 11 ; DMA Active Channel 2

;-----
;
; EQUATES for Enhanced Filter Co-Processor (EFCOP)
;-----

M_FDIR EQU $FFFFB0 ; EFCOP Data Input Register
M_FDOR EQU $FFFFB1 ; EFCOP Data Output Register
M_FKIR EQU $FFFFB2 ; EFCOP K-Constant Register
M_FCNT EQU $FFFFB3 ; EFCOP Filter Counter
M_FCSR EQU $FFFFB4 ; EFCOP Control Status Register
M_FACR EQU $FFFFB5 ; EFCOP ALU Control Register
M_FDDBA EQU $FFFFB6 ; EFCOP Data Base Address
M_FCBA EQU $FFFFB7 ; EFCOP Coefficient Base Address
M_FDCH EQU $FFFFB8 ; EFCOP Decimation/Channel Register

;-----
;
; EQUATES for Phase Locked Loop (PLL)
;-----

; Register Addresses Of PLL

M_DMFR EQU $FFFFD0
M_DPSC EQU $FFFFD0
M_PCTL EQU $FFFFD1 ; PLL Control Register

; PLL Control Register

M_MFI EQU $F ; Multiplication Factor Intager Bits Mask (MFI0-MFI3)
M_MFN EQU $7F0 ; Multiplication Factor Bits Mask (MFN0-MFN6)
M_MFD EQU $3F800 ; Multiplication Factor Bits Mask (MFD0-MFD6)
M_PDF EQU $3C0000 ; PreDivider Factor Bits Mask (PD0-PD3)
M_CPLM EQU 22 ;
M_MFO EQU 23 ;
M_CDF EQU $70 ; Division Factor Bits Mask (DF0-DF2)

```



```

M_PCOD EQU 0 ; PLL Clock Output Disable Bit
M_PSTP EQU 1 ; STOP Processing State Bit
M_XTLD EQU 2 ; XTAL Disable Bit
M_PEN EQU 3 ; PLL Enable Bit

;-----
;
; EQUATES for BIU
;
;-----

; Register Addresses Of BIU

M_BCR EQU $FFFFFFB ; Bus Control Register
M_DCR EQU $FFFFFFA ; DRAM Control Register
M_AAR0 EQU $FFFFFF9 ; Address Attribute Register 0
M_AAR1 EQU $FFFFFF8 ; Address Attribute Register 1
M_AAR2 EQU $FFFFFF7 ; Address Attribute Register 2
M_AAR3 EQU $FFFFFF6 ; Address Attribute Register 3
M_IDR EQU $FFFFFF5 ; ID Register

; Bus Control Register

M_BA0W EQU $1F ; Area 0 Wait Control Mask (BA0W0-B A0W4)
M_BA1W EQU $3E0 ; Area 1 Wait Control Mask (BA1W0-B A1W4)
M_BA2W EQU $1C00 ; Area 2 Wait Control Mask (BA2W0-B A2W2)
M_BA3W EQU $E000 ; Area 3 Wait Control Mask (BA3W0-B A3W3)
M_BDFW EQU $1F0000 ; Default Area Wait Control Mask (BDFW0-BDFW4)
M_BBS EQU 21 ; Bus State
M_BLH EQU 22 ; Bus Lock Hold
M_BRH EQU 23 ; Bus Request Hold

; DRAM Control Register

M_BCW EQU $3 ; In Page Wait States Bits Mask (BCW0-BCW1)
M_BRW EQU $C ; Out Of Page Wait States Bits Mask (BRW0-BRW1)
M_BPS EQU $300 ; DRAM Page Size Bits Mask (BPS0-BPS1)
M_BPLE EQU 11 ; Page Logic Enable
M_BME EQU 12 ; Mastership Enable
M_BRE EQU 13 ; Refresh Enable
M_BSTR EQU 14 ; Software Triggered Refresh
M_BRF EQU $7F8000 ; Refresh Rate Bits Mask (BRF0-BRF7)
M_BRP EQU 23 ; Refresh prescaler

; Address Attribute Registers

M_BAT EQU $3 ; Ext. Access Type and Pin Def. Bits Mask (BAT0-BAT1)
M_BAAP EQU 2 ; Address Attribute Pin Polarity
M_BPEN EQU 3 ; Program Space Enable
M_BXEN EQU 4 ; X Data Space Enable
M_BYEN EQU 5 ; Y Data Space Enable
M_BAM EQU 6 ; Address Muxing
M_BPAC EQU 7 ; Packing Enable
M_BNC EQU $F00 ; Number of Address Bits to Compare Mask (BNC0-BNC3)
M_BAC EQU $FFF000 ; Address to Compare Bits Mask (BAC0-BAC11)

; control and status bits in SR

M_CP EQU $c00000 ; mask for CORE-DMA priority bits in SR
M_CA EQU 0 ; Carry
M_V EQU 1 ; Overflow

```

Because of an order from the United States International Trade Commission, BGA-packaged product lines and part numbers indicated here currently are not available from Freescale for import or sale in the United States prior to September 2010: DSP56321VF200, DSP56321VF240, DSP56321VF275, DSP56321VL200, DSP56321VL240, DSP56321VL275

Power Consumption Benchmark

```

M_Z EQU 2 ; Zero
M_N EQU 3 ; Negative
M_U EQU 4 ; Unnormalized
M_E EQU 5 ; Extension
M_L EQU 6 ; Limit
M_S EQU 7 ; Scaling Bit
M_I0 EQU 8 ; Interupt Mask Bit 0
M_I1 EQU 9 ; Interupt Mask Bit 1
M_S0 EQU 10 ; Scaling Mode Bit 0
M_S1 EQU 11 ; Scaling Mode Bit 1
M_SC EQU 13 ; Sixteen_Bit Compatibility
M_DM EQU 14 ; Double Precision Multiply
M_LF EQU 15 ; DO-Loop Flag
M_FV EQU 16 ; DO-Forever Flag
M_SA EQU 17 ; Sixteen-Bit Arithmetic
M_CE EQU 19 ; Instruction Cache Enable
M_SM EQU 20 ; Arithmetic Saturation
M_RM EQU 21 ; Rounding Mode
M_CP0 EQU 22 ; bit 0 of priority bits in SR
M_CP1 EQU 23 ; bit 1 of priority bits in SR

; control and status bits in OMR
M_CDP EQU $300; mask for CORE-DMA priority bits in OMR
M_MA equ0 ; Operating Mode A
M_MB equ1 ; Operating Mode B
M_MC equ2 ; Operating Mode C
M_MD equ3 ; Operating Mode D
M_EBD EQU 4 ; External Bus Disable bit in OMR
M_SD EQU 6 ; Stop Delay
M_MS EQU 7 ; Memory Switch bit in OMR
M_CDP0 EQU 8 ; bit 0 of priority bits in OMR
M_CDP1 EQU 9 ; bit 1 of priority bits in OMR
M_BEN EQU 10 ; Burst Enable
M_TAS EQU 11 ; TA Synchronize Select
M_BRT EQU 12 ; Bus Release Timing
M_ATE EQU 15 ; Address Tracing Enable bit in OMR.
M_XYS EQU 16 ; Stack Extension space select bit in OMR.
M_EUN EQU 17 ; Extended stack UNDERflow flag in OMR.
M_EOV EQU 18 ; Extended stack OVERflow flag in OMR.
M_WRP EQU 19 ; Extended WRaP flag in OMR.
M_SEN EQU 20 ; Stack Extension Enable bit in OMR.

;*****
;
; EQUATES for DSP56321 interrupts
;
;*****

page 132,55,0,0,0
opt mex

integu ident 1,0

if @DEF(I_VEC) ;leave user definition as is.
else
I_VEC EQU $0
endif

```

```

;-----
; Non-Maskable interrupts
;-----
I_RESET EQU I_VEC+$00      ; Hardware RESET
I_STACK EQU I_VEC+$02      ; Stack Error
I_ILL EQU I_VEC+$04        ; Illegal Instruction
I_DBG EQU I_VEC+$06        ; Debug Request
I_TRAP EQU I_VEC+$08       ; Trap
I_NMI EQU I_VEC+$0A        ; Non Maskable Interrupt

;-----
; Interrupt Request Pins
;-----
I_IRQA EQU I_VEC+$10       ; IRQA
I_IRQB EQU I_VEC+$12       ; IRQB
I_IRQC EQU I_VEC+$14       ; IRQC
I_IRQD EQU I_VEC+$16       ; IRQD

;-----
; DMA Interrupts
;-----
I_DMA0 EQU I_VEC+$18       ; DMA Channel 0
I_DMA1 EQU I_VEC+$1A       ; DMA Channel 1
I_DMA2 EQU I_VEC+$1C       ; DMA Channel 2
I_DMA3 EQU I_VEC+$1E       ; DMA Channel 3
I_DMA4 EQU I_VEC+$20       ; DMA Channel 4
I_DMA5 EQU I_VEC+$22       ; DMA Channel 5

;-----
; Timer Interrupts
;-----
I_TIM0C EQU I_VEC+$24      ; TIMER 0 compare
I_TIM0OF EQU I_VEC+$26     ; TIMER 0 overflow
I_TIM1C EQU I_VEC+$28      ; TIMER 1 compare
I_TIM1OF EQU I_VEC+$2A     ; TIMER 1 overflow
I_TIM2C EQU I_VEC+$2C      ; TIMER 2 compare
I_TIM2OF EQU I_VEC+$2E     ; TIMER 2 overflow

;-----
; ESSI Interrupts
;-----
I_SIORDE EQU I_VEC+$32     ; ESSI0 Receive Data w/ exception Status
I_SIORLS EQU I_VEC+$34     ; ESSI0 Receive last slot
I_SIoTDE EQU I_VEC+$38     ; ESSI0 Transmit Data w/ exception Status
I_SIoTLS EQU I_VEC+$3A     ; ESSI0 Transmit last slot
I_SII1RDE EQU I_VEC+$42    ; ESSI1 Receive Data w/ exception Status
I_SII1RLS EQU I_VEC+$44    ; ESSI1 Receive last slot
I_SII1TDE EQU I_VEC+$48    ; ESSI1 Transmit Data w/ exception Status
I_SII1TLS EQU I_VEC+$4A    ; ESSI1 Transmit last slot

;-----
; SCI Interrupts
;-----
I_SCIRDE EQU I_VEC+$52     ; SCI Receive Data With Exception Status
I_SCITD EQU I_VEC+$54      ; SCI Transmit Data
I_SCIIL EQU I_VEC+$56      ; SCI Idle Line
I_SCITM EQU I_VEC+$58      ; SCI Timer

```

```
-----  
; HOST Interrupts  
-----  
I_HRDF EQU I_VEC+$60      ; Host Receive Data Full  
I_HTDE EQU I_VEC+$62      ; Host Transmit Data Empty  
I_HC EQU I_VEC+$64        ; Default Host Command  
-----  
; EFCOP Filter Interrupts  
-----  
  
I_FDIIE EQU I_VEC+$68     ; EFilter input buffer empty  
I_FDOIE EQU I_VEC+$6A     ; EFilter output buffer full  
  
-----  
; INTERRUPT ENDING ADDRESS  
-----  
I_INTEND EQU I_VEC+$FF    ; last address of interrupt vector space
```

Because of an order from the United States International Trade Commission, BGA-packaged product lines and part numbers indicated here currently are not available from Freescale for import or sale in the United States prior to September 2010: DSP56321VF200, DSP56321VF220, DSP56321VF240, DSP56321VF275, DSP56321VL200, DSP56321VL220, DSP56321VL240, DSP56321VL275

Because of an order from the United States International Trade Commission, BGA-packaged product lines and part numbers indicated here currently are not available from Freescale for import or sale in the United States prior to September 2010: DSP56321VF200, DSP56321VF220, DSP56321VF240, DSP56321VF275, DSP56321VL200, DSP56321VL220, DSP56321VL240, DSP56321VL275

Because of an order from the United States International Trade Commission, BGA-packaged product lines and part numbers indicated here currently are not available from Freescale for import or sale in the United States prior to September 2010: DSP56321VF200, DSP56321VF220, DSP56321VF240, DSP56321VF275, DSP56321VL200, DSP56321VL220, DSP56321VL240, DSP56321VL275

Ordering Information

Consult a Freescale Semiconductor sales office or authorized distributor to determine product availability and place an order.

| Part | Supply Voltage | Package Type | Pin Count | Core Frequency (MHz) | Solder Spheres | Order Number |
|----------|-------------------------|--|-----------|----------------------|----------------|---------------|
| DSP56321 | 1.6 V core 3.3 V I/O | Molded Array Process-Ball Grid Array (MAP-BGA) | 196 | 200 | Lead-free | DSP56321VL200 |
| | | | | | Lead-bearing | DSP56321VF200 |
| | | | | 220 | Lead-free | DSP56321VL220 |
| | | | | | Lead-bearing | DSP56321VF220 |
| | | | | 240 | Lead-free | DSP56321VL240 |
| | | | | | Lead-bearing | DSP56321VF240 |
| | | | | 275 | Lead-free | DSP56321VL275 |
| | | | | | Lead-bearing | DSP56321VF275 |

How to Reach Us:

Home Page:
www.freescale.com

E-mail:
support@freescale.com

USA/Europe or Locations not listed:
Freescale Semiconductor
Technical Information Center, CH370
1300 N. Alma School Road
Chandler, Arizona 85224
+1-800-521-6274 or +1-480-768-2130
support@freescale.com

Europe, Middle East, and Africa:
Freescale Halbleiter Deutschland GMBH
Technical Information Center
Schatzbogen 7
81829 München, Germany
+44 1296 380 456 (English)
+46 8 52200080 (English)
+49 89 92103 559 (German)
+33 1 69 35 48 48 (French)
support@freescale.com

Japan:
Freescale Semiconductor Japan Ltd.
Headquarters
ARCO Tower 15F
1-8-1, Shimo-Meguro, Meguro-ku,
Tokyo 153-0064, Japan
0120 191014 or +81 3 5437 9125
support.japan@freescale.com

Asia/Pacific:
Freescale Semiconductor Hong Kong Ltd.
Technical Information Center
2 Dai King Street
Tai Po Industrial Estate
Tai Po, N.T. Hong Kong
+800 2666 8080
support.asia@freescale.com

For Literature Requests Only:
Freescale Semiconductor Literature Distribution Center
P.O. Box 5405
Denver, Colorado 80217
1-800-441-2447 or 303-675-2140
Fax: 303-675-2150
LDCForFreescaleSemiconductor@hibbertgroup.com

Information in this document is provided solely to enable system and software implementers to use Freescale Semiconductor products. There are no express or implied copyright licenses granted hereunder to design or fabricate any integrated circuits or integrated circuits based on the information in this document.

Freescale Semiconductor reserves the right to make changes without further notice to any products herein. Freescale Semiconductor makes no warranty, representation or guarantee regarding the suitability of its products for any particular purpose, nor does Freescale Semiconductor assume any liability arising out of the application or use of any product or circuit, and specifically disclaims any and all liability, including without limitation consequential or incidental damages. "Typical" parameters which may be provided in Freescale Semiconductor data sheets and/or specifications can and do vary in different applications and actual performance may vary over time. All operating parameters, including "Typicals" must be validated for each customer application by customer's technical experts. Freescale Semiconductor does not convey any license under its patent rights nor the rights of others. Freescale Semiconductor products are not designed, intended, or authorized for use as components in systems intended for surgical implant into the body, or other applications intended to support or sustain life, or for any other application in which the failure of the Freescale Semiconductor product could create a situation where personal injury or death may occur. Should Buyer purchase or use Freescale Semiconductor products for any such unintended or unauthorized application, Buyer shall indemnify and hold Freescale Semiconductor and its officers, employees, subsidiaries, affiliates, and distributors harmless against all claims, costs, damages, and expenses, and reasonable attorney fees arising out of, directly or indirectly, any claim of personal injury or death associated with such unintended or unauthorized use, even if such claim alleges that Freescale Semiconductor was negligent regarding the design or manufacture of the part.

Freescale™ and the Freescale logo are trademarks of Freescale Semiconductor, Inc. All other product or service names are the property of their respective owners.

© Freescale Semiconductor, Inc. 2001, 2005.

Document Order No.: DSP56321
Rev. 11
2/2005



Because of an order from the United States International Trade Commission, BGA-packaged product lines and part numbers indicated here currently are not available from Freescale for import or sale in the United States prior to September 2010: DSP56321VF200, DSP56321VF240, DSP56321VF275, DSP56321VL200, DSP56321VL220, DSP56321VL240, DSP56321VL275