



DRAM MODULE

MT8D432(X) MT16D832(X)

For the latest data sheet revisions, please refer to the Micron Web site: www.micron.com/datasheets

FEATURES

- JEDEC- and industry-standard pinout in a 72-pin, single in-line memory module (SIMM)
- 16MB (4 Meg x 32) and 32MB (8 Meg x 32)
- High-performance CMOS silicon-gate process
- Single 5V ±10% power supply
- All inputs, outputs and clocks are TTL-compatible
- Refresh modes: RAS#-ONLY, CAS#-BEFORE-RAS# (CBR) and HIDDEN
- 2,048-cycle refresh distributed across 32ms
- FAST PAGE MODE (FPM) access or Extended Data-Out (EDO) PAGE MODE access

OPTIONS

- Timing
50ns access
60ns access
- Packages
72-pin SIMM
72-pin SIMM (Gold)
- Operating Modes
FAST PAGE MODE
EDO PAGE MODE

MARKING

- 5**
- 6
- M
- G
- None
- X

**EDO version only

PART NUMBERS

EDO Operating Mode

PART NUMBER	CONFIGURATION	PLATING
MT8D432G- x X	4 Meg x 32	Gold
MT8D432M- x X	4 Meg x 32	Tin/Lead
MT16D832G-x X	8 Meg x 32	Gold
MT16D832M-x X	8 Meg x 32	Tin/Lead

x = speed

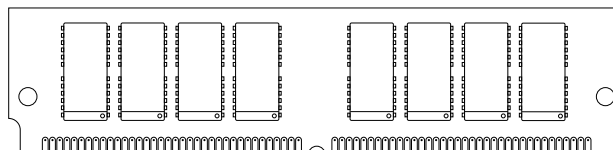
FPM Operating Mode

PART NUMBER	CONFIGURATION	PLATING
MT8D432G-x	4 Meg x 32	Gold
MT8D432M-x	4 Meg x 32	Tin/Lead
MT16D832G-x	8 Meg x 32	Gold
MT16D832M-x	8 Meg x 32	Tin/Lead

x = speed

PIN ASSIGNMENT (Front View)

72-Pin SIMM
4 Meg x 32
8 Meg x 32



PIN	SYMBOL	PIN	SYMBOL	PIN	SYMBOL	PIN	SYMBOL
1	V _{SS}	19	A10	37	NC	55	DQ12
2	DQ1	20	DQ5	38	NC	56	DQ28
3	DQ17	21	DQ21	39	V _{SS}	57	DQ13
4	DQ2	22	DQ6	40	CAS0#	58	DQ29
5	DQ18	23	DQ22	41	CAS2#	59	V _{DD}
6	DQ3	24	DQ7	42	CAS3#	60	DQ30
7	DQ19	25	DQ23	43	CAS1#	61	DQ14
8	DQ4	26	DQ8	44	RAS0#	62	DQ31
9	DQ20	27	DQ24	45	NC/RAS1#*	63	DQ15
10	V _{DD}	28	A7	46	NC	64	DQ32
11	NC	29	NC (A11)	47	WE#	65	DQ16
12	A0	30	V _{DD}	48	NC	66	NC
13	A1	31	A8	49	DQ9	67	PRD1
14	A2	32	A9	50	DQ25	68	PRD2
15	A3	33	NC/RAS3#*	51	DQ10	69	PRD3
16	A4	34	RAS2#	52	DQ26	70	PRD4
17	A5	35	NC	53	DQ11	71	NC
18	A6	36	NC	54	DQ27	72	V _{SS}

*32MB version only

NOTE: Symbols in parentheses are not used on these modules but may be used for other modules in this product family. They are for reference only.

KEY TIMING PARAMETERS

EDO Operating Mode

SPEED	t _{RC}	t _{RAC}	t _{PC}	t _{AA}	t _{CAC}	t _{CAS}
-5	84ns	50ns	20ns	25ns	13ns	8ns
-6	104ns	60ns	25ns	30ns	15ns	10ns

FPM Operating Mode

SPEED	t _{RC}	t _{RAC}	t _{PC}	t _{AA}	t _{CAC}	t _{RP}
-6	110ns	60ns	35ns	30ns	15ns	40ns



GENERAL DESCRIPTION

The MT8D432(X) and MT16D832(X) are randomly accessed, 16MB and 32MB solid-state memories organized in a x32 configuration. During READ or WRITE cycles, each bit is uniquely addressed through 22 address bits that are entered 11 bits (A0-A10) at a time. RAS# is used to latch the first 11 bits and CAS# the latter 11 bits. READ and WRITE cycles are selected with the WE# input. A logic HIGH on WE# dictates read mode, while a logic LOW on WE# dictates write mode. During a WRITE cycle, data-in (D) is latched by the falling edge of CAS#. Since WE# goes LOW prior to CAS# going LOW, the output pin(s) remain open (High-Z) until the next CAS# cycle.

FAST PAGE MODE

FAST-PAGE-MODE operations allow faster data operations (READ or WRITE) within a row-address-defined page boundary. The FAST-PAGE-MODE cycle is always initiated with a row address strobed in by RAS#, followed by a column address strobed in by CAS#. Additional columns may be accessed by providing valid column addresses, strobing CAS# and holding RAS# LOW, thus executing faster memory cycles. Returning RAS# HIGH terminates the FAST-PAGE-MODE operation.

EDO PAGE MODE

EDO PAGE MODE, designated by the “X” version, is an accelerated FAST-PAGE-MODE cycle. The primary advantage of EDO is the availability of data-out even after CAS# goes back HIGH. EDO provides for CAS#

precharge time (^tCP) to occur without the output data going invalid. This elimination of CAS# output control provides for pipelined READs.

FAST-PAGE-MODE modules have traditionally turned the output buffers off (High-Z) with the rising edge of CAS#. EDO operates like FAST-PAGE-MODE READs, except data will be held valid or become valid after CAS# goes HIGH, as long as RAS# and OE# are held LOW. (Refer to the MT4C4M4E8 DRAM data sheet for additional information on EDO functionality.)

REFRESH

Returning RAS# and CAS# HIGH terminates a memory cycle and decreases chip current to a reduced standby level. Also, the chip is preconditioned for the next cycle during the RAS# HIGH time. Memory cell data is retained in its correct state by maintaining power and executing any RAS# cycle (READ, WRITE) or RAS# REFRESH cycle (RAS#-ONLY, CBR or HIDDEN) so that all 2,048 combinations of RAS# addresses are executed at least every 32ms, regardless of sequence. The CBR REFRESH cycle will invoke the refresh counter for automatic RAS# addressing.

x16 CONFIGURATION

For x16 applications, the corresponding DQ and CAS# pins must be connected together (DQ1 to DQ17, DQ2 to DQ18 and so forth, and CAS0# to CAS2# and CAS1# to CAS3#). Each RAS# is then a bank select for the x16 memory organization.

**JEDEC-DEFINED
PRESENCE-DETECT –
MT8D432(X) (16MB)**

SYMBOL	PIN	-5*	-6
PRD1	67	V _{SS}	V _{SS}
PRD2	68	NC	NC
PRD3	69	V _{SS}	NC
PRD4	70	V _{SS}	NC

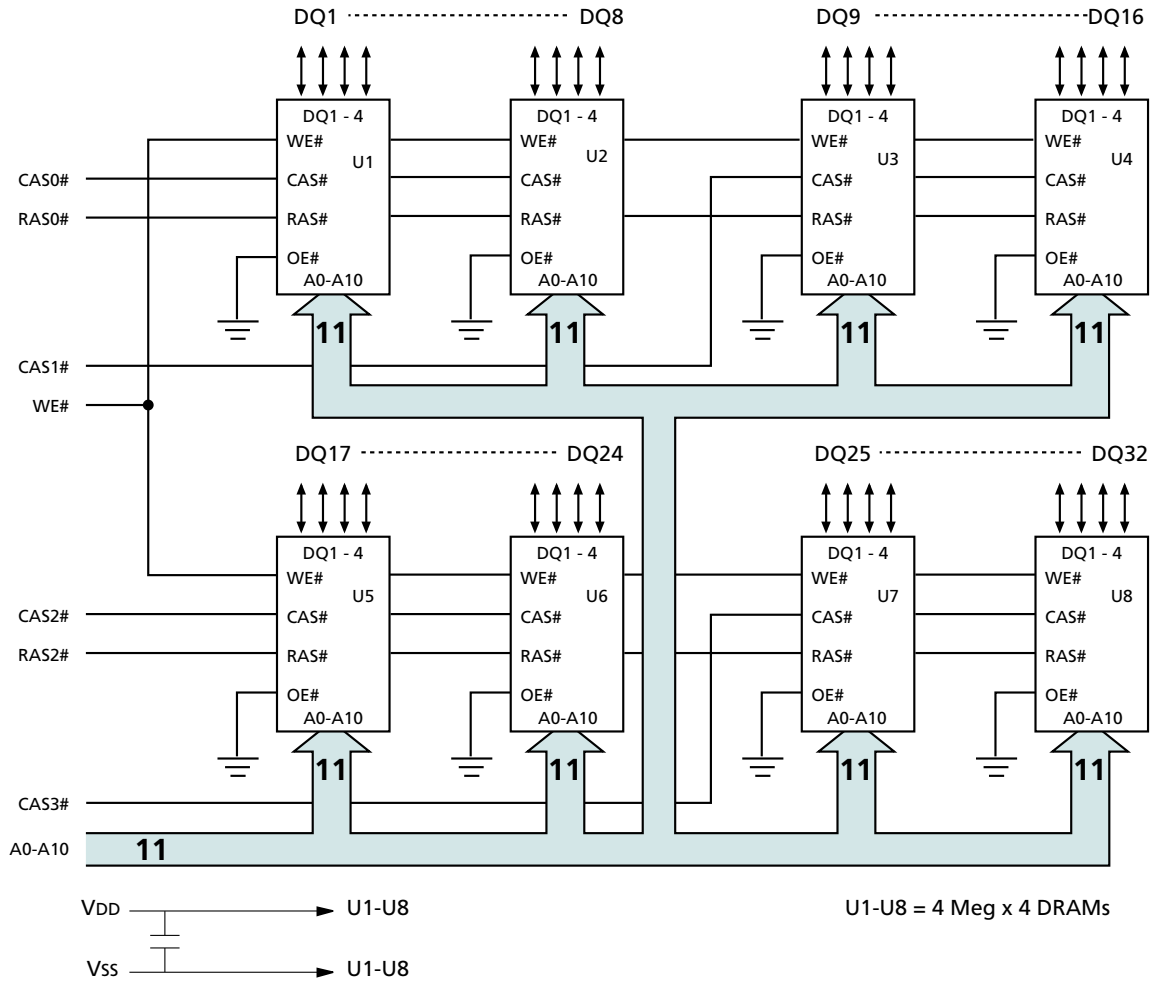
**JEDEC-DEFINED
PRESENCE-DETECT –
MT16D832(X) (32MB)**

SYMBOL	PIN	-5*	-6
PRD1	67	NC	NC
PRD2	68	V _{SS}	V _{SS}
PRD3	69	V _{SS}	NC
PRD4	70	V _{SS}	NC

*EDO version only

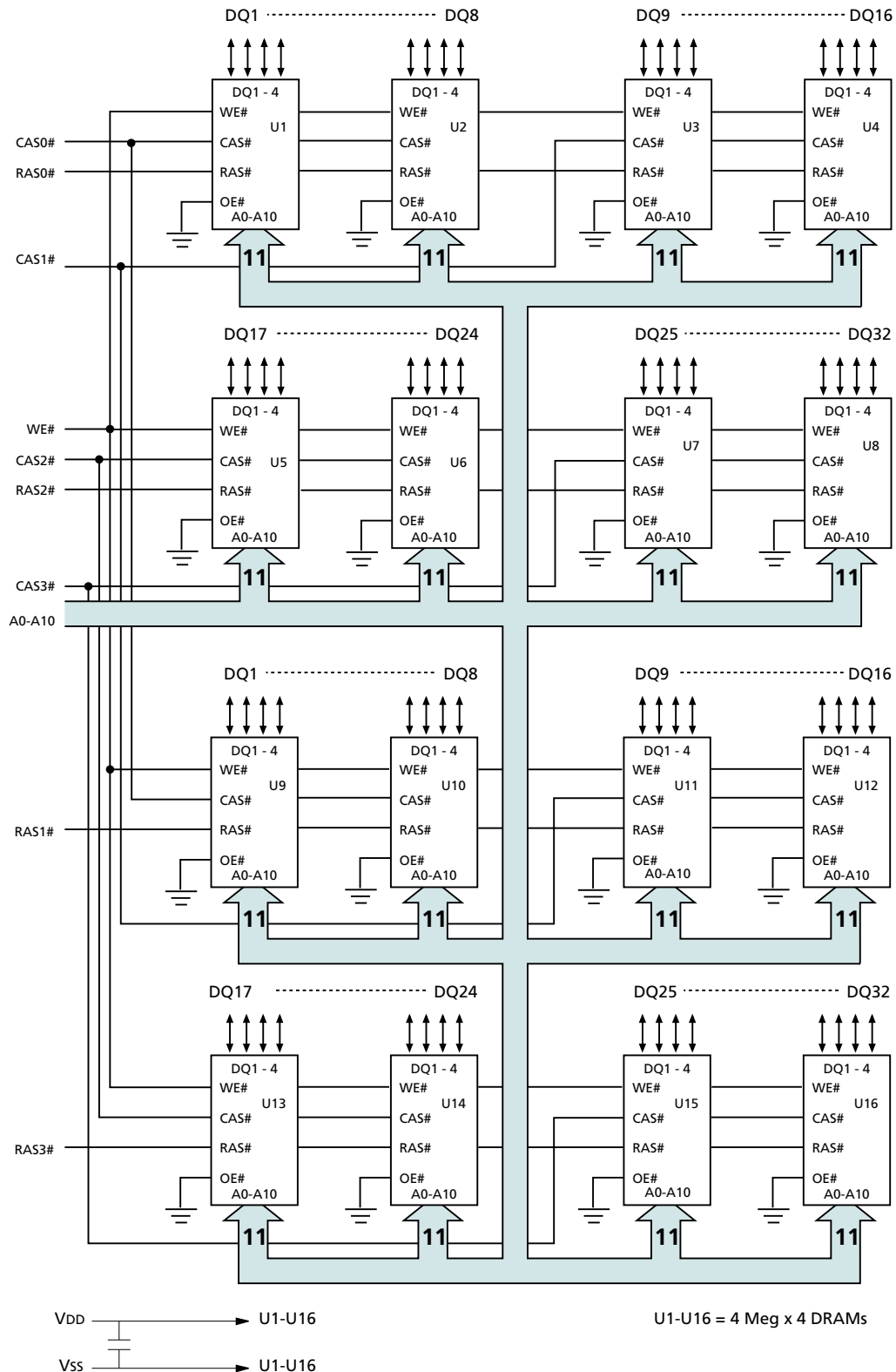


**FUNCTIONAL BLOCK DIAGRAM
MT8D432(X) (16MB)**





**FUNCTIONAL BLOCK DIAGRAM
MT16D832(X) (32MB)**



NOT RECOMMENDED FOR NEW DESIGNS



**4, 8 MEG x 32
DRAM SIMMs**

ABSOLUTE MAXIMUM RATINGS*

Voltage on Any Pin Relative to V_{SS} -1V to +7V
 Operating Temperature, T_A (ambient) ... 0°C to +70°C
 Storage Temperature (plastic) -55°C to +125°C
 Power Dissipation 8W
 Short Circuit Output Current 50mA

*Stresses greater than those listed under “Absolute Maximum Ratings” may cause permanent damage to the device. This is a stress rating only and functional operation of the device at these or any other conditions above those indicated in the operational sections of this specification is not implied. Exposure to absolute maximum rating conditions for extended periods may affect reliability.

DC ELECTRICAL CHARACTERISTICS AND OPERATING CONDITIONS

(Notes: 1) (V_{DD} = +5V ±10%)

PARAMETER/CONDITION	SYMBOL	MIN	MAX	UNITS	NOTES	
SUPPLY VOLTAGE	V _{DD}	4.5	5.5	V		
INPUT HIGH VOLTAGE: Logic 1; All inputs	V _{IH}	2.4	V _{DD} + 1	V		
INPUT LOW VOLTAGE: Logic 0; All inputs	V _{IL}	-1.0	0.8	V		
INPUT LEAKAGE CURRENT: Any input 0V ≤ V _{IN} ≤ 5.5V (All other pins not under test = 0V)	RAS0#-RAS3#	I _{I1}	-8	8	μA	
	A0-A10, WE#	I _{I2}	-32	32	μA	23
	CAS0#-CAS3#	I _{I3}	-8	8	μA	23
OUTPUT LEAKAGE CURRENT: (DQ is disabled; 0V ≤ V _{OUT} ≤ 5.5V)	DQ1-DQ32	I _{OZ}	-10	10	μA	23
OUTPUT LEVELS: Output High Voltage (I _{OUT} = -5mA) Output Low Voltage (I _{OUT} = 4.2mA)	V _{OH}	2.4	-	V		
	V _{OL}	-	0.4	V		

NOT RECOMMENDED FOR NEW DESIGNS



**4, 8 MEG x 32
DRAM SIMMs**

I_{CC} SPECIFICATIONS AND CONDITIONS

(Notes: 1, 5, 6) (V_{DD} = +5V ±10%)

PARAMETER/CONDITION	SYMBOL	SIZE	MAX		UNITS	NOTES
			-5*	-6		
STANDBY CURRENT: FAST PAGE MODE (TTL) (RAS# = CAS# = V _{IH})	I _{CC1}	16MB 32MB	– –	16 32	mA	
STANDBY CURRENT: EDO PAGE MODE (TTL) (RAS# = CAS# = V _{IH})	I _{CC2}	16MB 32MB	8 16	8 16	mA	
STANDBY CURRENT: (CMOS) (RAS# = CAS# = other inputs = V _{DD} - 0.2V)	I _{CC3}	16MB 32MB	4 8	4 8	mA	
OPERATING CURRENT: Random READ/WRITE Average power supply current (RAS#, CAS#, address cycling: t _{RC} = t _{RC} [MIN])	I _{CC4}	16MB 32MB	1,120 1,128	1,040 1,048	mA	3, 22
OPERATING CURRENT: FAST PAGE MODE Average power supply current (RAS# = V _{IL} , CAS#, address cycling: t _{PC} = t _{PC} [MIN])	I _{CC5}	16MB 32MB	– –	800 816	mA	3, 22
OPERATING CURRENT: EDO PAGE MODE Average power supply current (RAS# = V _{IL} , CAS#, address cycling: t _{PC} = t _{PC} [MIN])	I _{CC6} (X only)	16MB 32MB	880 888	800 808	mA	3, 22
REFRESH CURRENT: RAS#-ONLY Average power supply current (RAS# cycling, CAS# = V _{IH} : t _{RC} = t _{RC} [MIN])	I _{CC7}	16MB 32MB	1,120 1,128	1,040 1,048	mA	3, 22
REFRESH CURRENT: CBR Average power supply current (RAS#, CAS#, address cycling: t _{RC} = t _{RC} [MIN])	I _{CC8}	16MB 32MB	1,120 1,128	1,040 1,048	mA	3, 4

*EDO version only

CAPACITANCE

PARAMETER	SYMBOL	MAX		UNITS	NOTES
		16MB	32MB		
Input Capacitance: A0-A10	C _{I1}	48	95	pF	2
Input Capacitance: WE#	C _{I2}	64	127	pF	2
Input Capacitance: RAS0#-RAS3#	C _{I3}	32	32	pF	2
Input Capacitance: CAS0#-CAS3#	C _{I4}	16	32	pF	2
Input/Output Capacitance: DQ1-DQ32	C _{I0}	10	16	pF	2

NOT RECOMMENDED FOR NEW DESIGNS



**4, 8 MEG x 32
DRAM SIMMs**

FAST PAGE MODE

AC ELECTRICAL CHARACTERISTICS

(Notes: 5, 6, 7, 8, 9, 10, 11, 12) ($V_{DD} = +5V \pm 10\%$)

AC CHARACTERISTICS - FAST PAGE MODE OPTION	SYMBOL	-6		UNITS	NOTES
		MIN	MAX		
Access time from column address	t_{AA}		30	ns	
Column-address hold time (referenced to RAS#)	t_{AR}	45		ns	
Column-address setup time	t_{ASC}	0		ns	
Row-address setup time	t_{ASR}	0		ns	
Access time from CAS#	t_{CAC}		15	ns	
Column-address hold time	t_{CAH}	10		ns	
CAS# pulse width	t_{CAS}	15	10,000	ns	
CAS# hold time (CBR Refresh)	t_{CHR}	10		ns	4
CAS# to output in Low-Z	t_{CLZ}	3		ns	21
CAS# precharge time	t_{CP}	10		ns	13
Access time from CAS# precharge	t_{CPA}		35	ns	
CAS# to RAS# precharge time	t_{CRP}	5		ns	
CAS# hold time	t_{CSH}	60		ns	
CAS# setup time (CBR Refresh)	t_{CSR}	5		ns	4
WRITE command to CAS# lead time	t_{CWL}	15		ns	
Data-in hold time	t_{DH}	10		ns	18
Data-in setup time	t_{DS}	0		ns	18
Output buffer turn-off delay	t_{OFF}	3	15	ns	17, 21
FAST-PAGE-MODE READ or WRITE cycle time	t_{PC}	35		ns	
Access time from RAS#	t_{RAC}		60	ns	
RAS# to column-address delay time	t_{RAD}	15		ns	15
Row-address hold time	t_{RAH}	10		ns	
RAS# pulse width	t_{RAS}	60	10,000	ns	
RAS# pulse width (FAST PAGE MODE)	t_{RASP}	60	125,000	ns	
Random READ or WRITE cycle time	t_{RC}	110		ns	
RAS# to CAS# delay time	t_{RCD}	20		ns	14
READ command hold time (referenced to CAS#)	t_{RCH}	0		ns	16
READ command setup time	t_{RCS}	0		ns	
Refresh period (2,048 cycles)	t_{REF}		32	ms	
RAS# precharge time	t_{RP}	40		ns	
RAS# to CAS# precharge time	t_{RPC}	0		ns	
READ command hold time (referenced to RAS#)	t_{RRH}	0		ns	16
RAS# hold time	t_{RSH}	15		ns	
WRITE command to RAS# lead time	t_{RWL}	15		ns	
Transition time (rise or fall)	t_T	2	50	ns	
WRITE command hold time	t_{WCH}	10		ns	
WRITE command hold time (referenced to RAS#)	t_{WCR}	45		ns	
WE# command setup time	t_{WCS}	0		ns	
WRITE command pulse width	t_{WCP}	10		ns	
WE# hold time (CBR Refresh)	t_{WRH}	10		ns	
WE# setup time (CBR Refresh)	t_{WRP}	10		ns	

NOT RECOMMENDED FOR NEW DESIGNS



**4, 8 MEG x 32
DRAM SIMMs**

EDO PAGE MODE

AC ELECTRICAL CHARACTERISTICS

(Notes: 5, 6, 7, 8, 9, 10, 11, 12) ($V_{DD} = +5V \pm 10\%$)

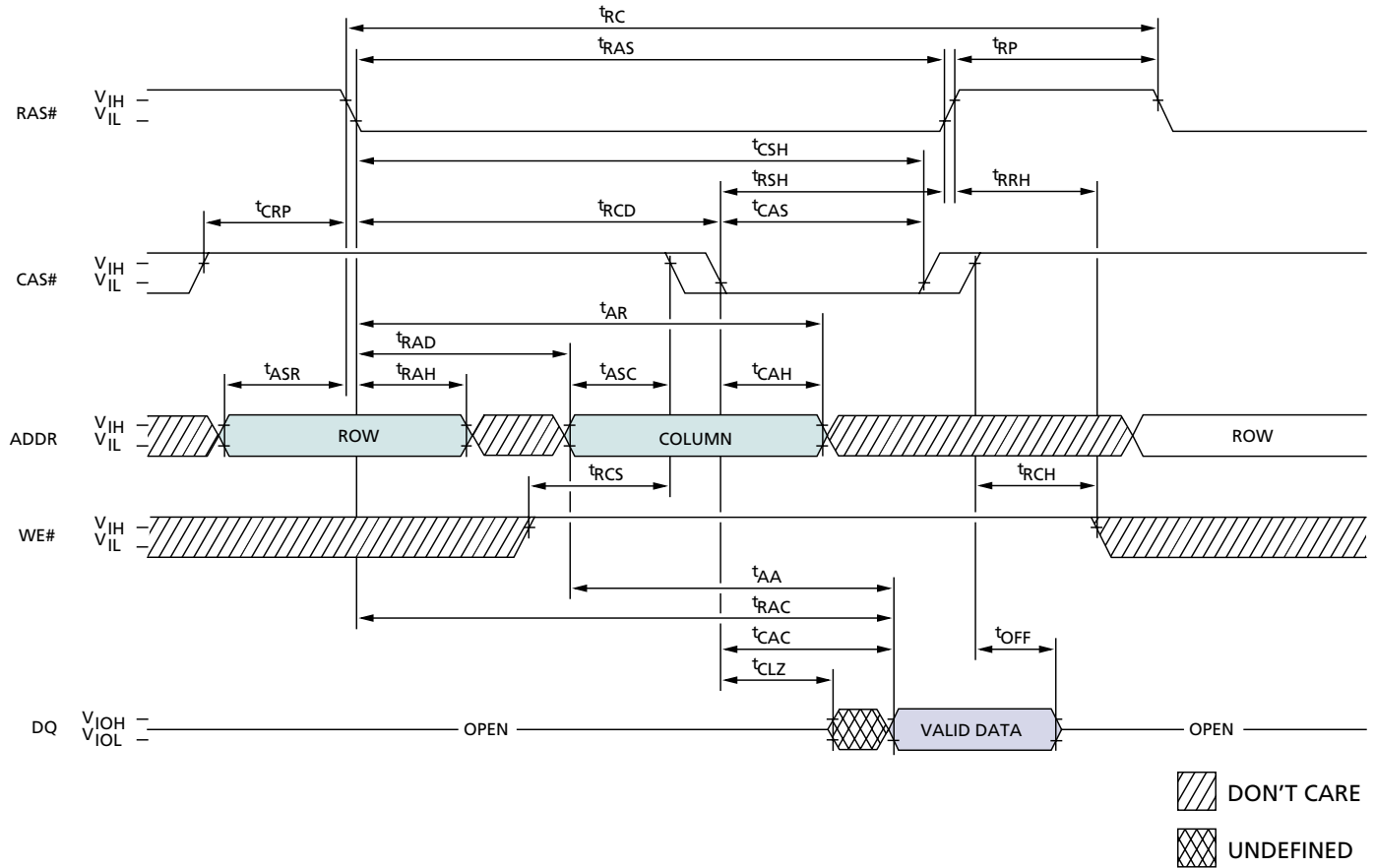
AC CHARACTERISTICS - EDO PAGE MODE OPTION		-5		-6		UNITS	NOTES
PARAMETER	SYMBOL	MIN	MAX	MIN	MAX		
Access time from column address	t_{AA}		25		30	ns	
Column-address set-up to CAS# precharge	t_{ACH}	12		15		ns	
Column-address hold time (referenced to RAS#)	t_{AR}	38		45		ns	
Column-address setup time	t_{ASC}	0		0		ns	
Row-address setup time	t_{ASR}	0		0		ns	
Access time from CAS#	t_{CAC}		13		15	ns	
Column-address hold time	t_{CAH}	8		10		ns	
CAS# pulse width	t_{CAS}	8	10,000	10	10,000	ns	
CAS# hold time (CBR Refresh)	t_{CHR}	8		10		ns	4
CAS# to output in Low-Z	t_{CLZ}	0		0		ns	
Data output hold after next CAS# LOW	t_{COH}	3		3		ns	
CAS# precharge time	t_{CP}	8		10		ns	13
Access time from CAS# precharge	t_{CPA}		28		35	ns	
CAS# to RAS# precharge time	t_{CRP}	5		5		ns	
CAS# hold time	t_{CSH}	38		45		ns	
CAS# setup time (CBR Refresh)	t_{CSR}	5		5		ns	4
WRITE command to CAS# lead time	t_{CWL}	8		10		ns	
Data-in hold time	t_{DH}	8		10		ns	18
Data-in setup time	t_{DS}	0		0		ns	18
Output buffer turn-off delay	t_{OFF}	0	12	0	15	ns	17, 21
EDO-PAGE-MODE READ or WRITE cycle time	t_{PC}	20		25		ns	
Access time from RAS#	t_{RAC}		50		60	ns	
RAS# to column-address delay time	t_{RAD}	9		12		ns	15
Row-address hold time	t_{RAH}	9		10		ns	
RAS# pulse width	t_{RAS}	50	10,000	60	10,000	ns	
RAS# pulse width (EDO PAGE MODE)	t_{RASP}	50	125,000	60	125,000	ns	
Random READ or WRITE cycle time	t_{RC}	84		104		ns	
RAS# to CAS# delay time	t_{RCD}	11		14		ns	14
READ command hold time (referenced to CAS#)	t_{RCH}	0		0		ns	16
READ command setup time	t_{RCS}	0		0		ns	
Refresh period (2,048 cycles)	t_{REF}		32		32	ms	
RAS# precharge time	t_{RP}	30		40		ns	
RAS# to CAS# precharge time	t_{RPC}	5		5		ns	
READ command hold time (referenced to RAS#)	t_{RRH}	0		0		ns	16
RAS# hold time	t_{RSH}	13		15		ns	
WRITE command to RAS# lead time	t_{RWL}	13		15		ns	
Transition time (rise or fall)	t_T	2	50	2	50	ns	
WRITE command hold time	t_{WCH}	8		10		ns	
WRITE command hold time (referenced to RAS#)	t_{WCR}	38		45		ns	
WE# command setup time	t_{WCS}	0		0		ns	
Output disable delay from WE#	t_{WHZ}	0	12	0	15	ns	
WRITE command pulse width	t_{WCP}	5		5		ns	
WE# pulse to disable at CAS# HIGH	t_{WPZ}	10		10		ns	
WE# hold time (CBR Refresh)	t_{WRH}	8		10		ns	
WE# setup time (CBR Refresh)	t_{WRP}	8		10		ns	

NOTES

1. All voltages referenced to V_{SS} .
2. This parameter is sampled. Capacitance is measured using MIL-STD-883C, Method 3012.1 (1 MHz AC, $V_{DD} = 4.5V$, DC bias = 2.4V at 15mV RMS).
3. I_{CC} is dependent on output loading and cycle rates. Specified values are obtained with minimum cycle time and the outputs open.
4. Enables on-chip refresh and address counters.
5. The minimum specifications are used only to indicate cycle time at which proper operation over the full temperature range is ensured.
6. An initial pause of 100 μ s is required after power-up, followed by eight RAS# refresh cycles (RAS#-ONLY or CBR with WE# HIGH), before proper device operation is ensured. The eight RAS# cycle wake-ups should be repeated any time the t_{REF} refresh requirement is exceeded.
7. AC characteristics assume $t_T = 5ns$ for FPM and $t_T = 2.5ns$ for EDO.
8. V_{IH} (MIN) and V_{IL} (MAX) are reference levels for measuring timing of input signals. Transition times are measured between V_{IH} and V_{IL} (or between V_{IL} and V_{IH}).
9. In addition to meeting the transition rate specification, all input signals must transit between V_{IH} and V_{IL} (or between V_{IL} and V_{IH}) in a monotonic manner.
10. If CAS# = V_{IH} , data output is High-Z.
11. If CAS# = V_{IL} , data output may contain data from the last valid READ cycle.
12. Measured with a load equivalent to two TTL gates and 100pF, $V_{OL} = 0.8V$ and $V_{OH} = 2V$.
13. If CAS# is LOW at the falling edge of RAS#, Q will be maintained from the previous cycle. To initiate a new cycle and clear the data-out buffer, CAS# must be pulsed HIGH for t_{CP} .
14. The t_{RCD} (MAX) limit is no longer specified. t_{RCD} (MAX) was specified as a reference point only. If t_{RCD} was greater than the specified t_{RCD} (MAX) limit, then access time was controlled exclusively by t_{CAC} (t_{RAC} [MIN] no longer applied). With or without the t_{RCD} (MAX) limit, t_{AA} and t_{CAC} must always be met.
15. The t_{RAD} (MAX) limit is no longer specified. t_{RAD} (MAX) was specified as a reference point only. If t_{RAD} was greater than the specified t_{RAD} (MAX) limit, then access time was controlled exclusively by t_{AA} (t_{RAC} and t_{CAC} no longer applied). With or without the t_{RAD} (MAX) limit, t_{AA} , t_{RAC} and t_{CAC} must always be met.
16. Either t_{RCH} or t_{RRH} must be satisfied for a READ cycle.
17. t_{OFF} (MAX) defines the time at which the output achieves the open circuit condition and is not referenced to V_{OH} or V_{OL} .
18. These parameters are referenced to CAS# leading edge in EARLY WRITE cycles.
19. OE# is tied permanently LOW; LATE WRITE or READ-MODIFY-WRITE operations are not permissible and should not be attempted.
20. A HIDDEN REFRESH may also be performed after a WRITE cycle. In this case, WE# = LOW and OE# = HIGH.
21. The 3ns minimum is a parameter guaranteed by design.
22. Column address changed once each cycle.
23. 16MB module values will be half of those shown.
24. For the FPM option, t_{OFF} is determined by the first RAS# or CAS# signal to transition HIGH. In comparison, t_{OFF} on an EDO option is determined by the latter of the RAS# and CAS# signals to transition HIGH.
25. Applies to both EDO and FPM modules.



READ CYCLE
(FAST PAGE MODE Module)

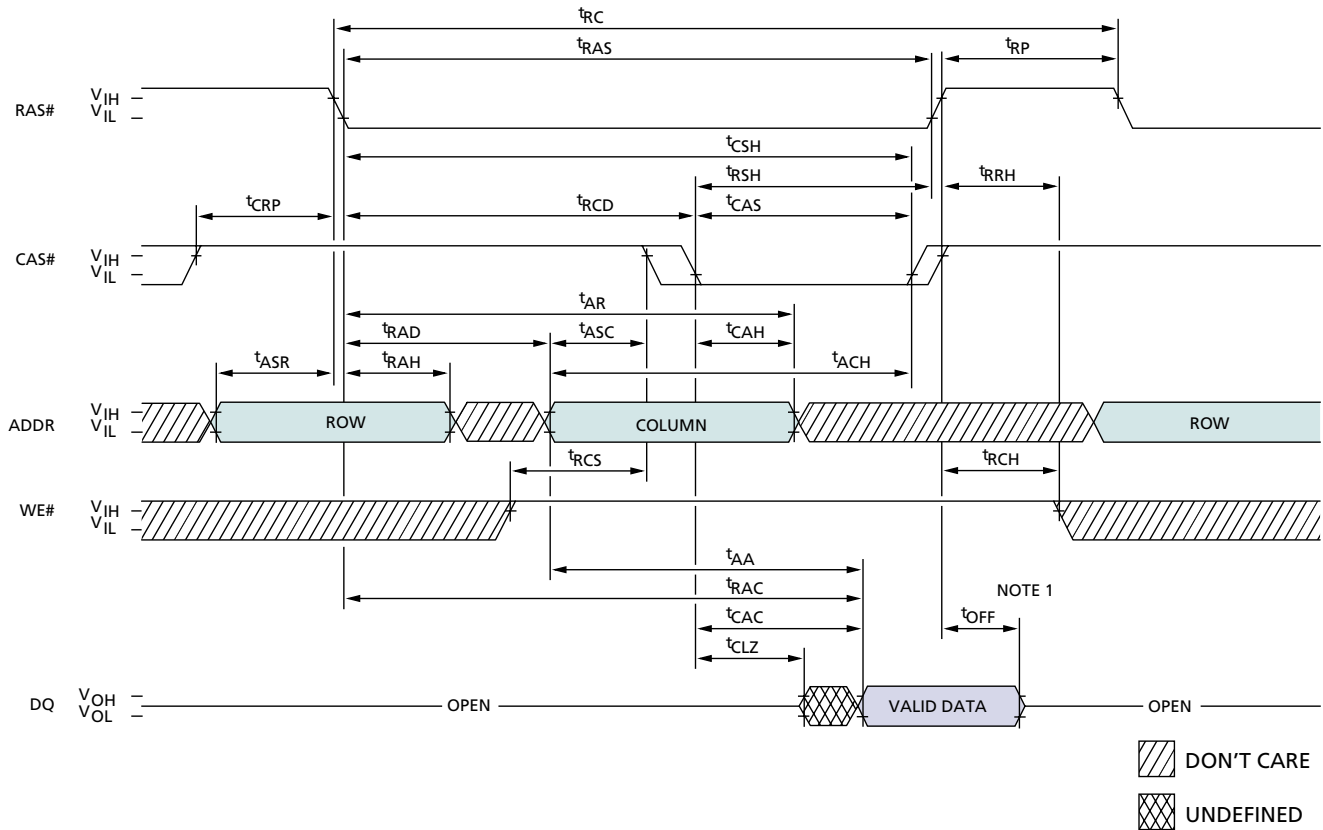


FAST PAGE MODE
TIMING PARAMETERS

SYMBOL	-6		UNITS
	MIN	MAX	
tAA		30	ns
tAR	45		ns
tASC	0		ns
tASR	0		ns
tCAC		15	ns
tCAH	10		ns
tCAS	15	10,000	ns
tCLZ	3		ns
tCRP	5		ns
tCSH	60		ns
tOFF	3	15	ns

SYMBOL	-6		UNITS
	MIN	MAX	
tRAC		60	ns
tRAD	15		ns
tRAH	10		ns
tRAS	60	10,000	ns
tRC	110		ns
tRCD	20		ns
tRCH	0		ns
tRCS	0		ns
tRP	40		ns
tRRH	0		ns
tRSH	15		ns

READ CYCLE
(EDO PAGE MODE Module)



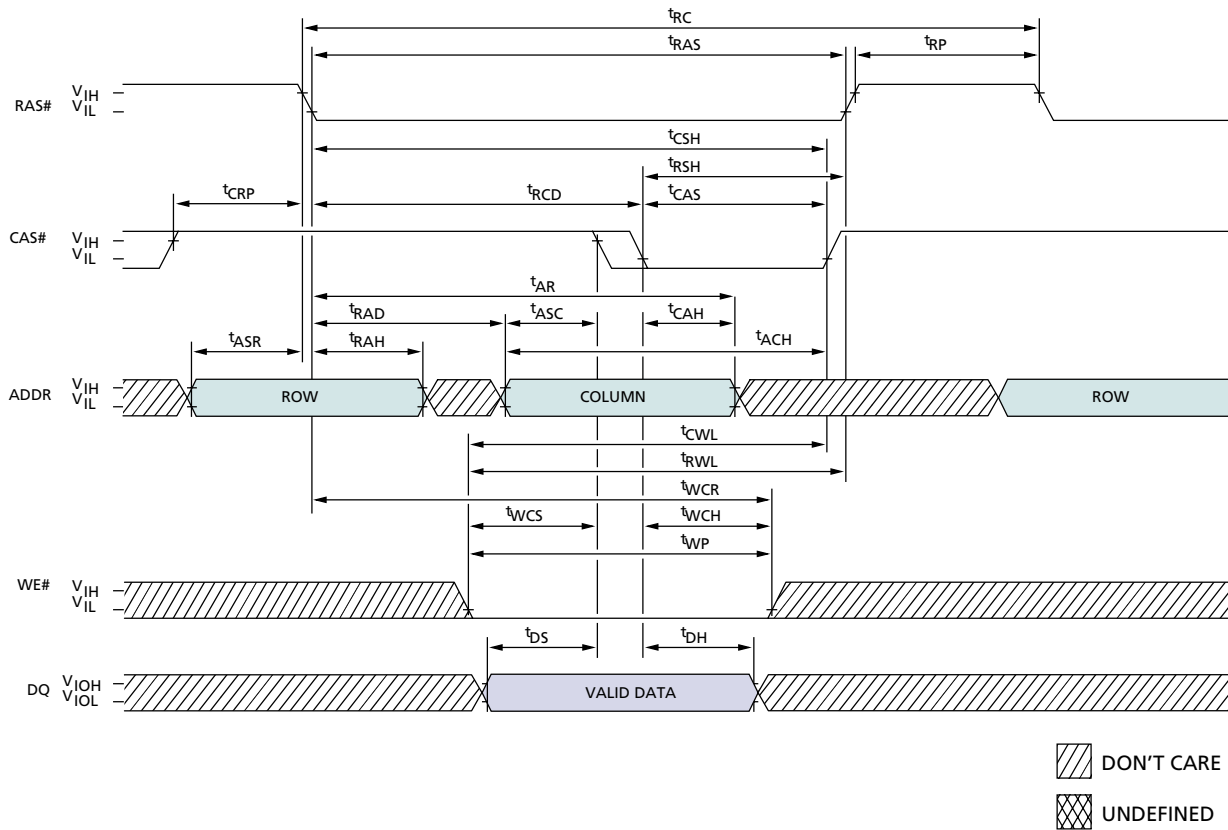
EDO PAGE MODE
TIMING PARAMETERS

SYMBOL	-5		-6		UNITS
	MIN	MAX	MIN	MAX	
tAA		25		30	ns
tAR	38		45		ns
tASC	0		0		ns
tASR	0		0		ns
tCAC		13		15	ns
tCAH	8		10		ns
tCAS	8	10,000	10	10,000	ns
tCLZ	0		0		ns
tCRP	5		5		ns
tCSH	38		45		ns
tOFF	0	12	0	15	ns

SYMBOL	-5		-6		UNITS
	MIN	MAX	MIN	MAX	
tRAC		50		60	ns
tRAD	9		12		ns
tRAH	9		10		ns
tRAS	50	10,000	60	10,000	ns
tRC	84		104		ns
tRCD	11		14		ns
tRCH	0		0		ns
tRCS	0		0		ns
tRP	30		40		ns
tRRH	0		0		ns
tRSH	13		15		ns

NOTE: 1. tOFF is referenced from rising edge of RAS# or CAS#, whichever occurs last.

EARLY WRITE CYCLE ²⁵



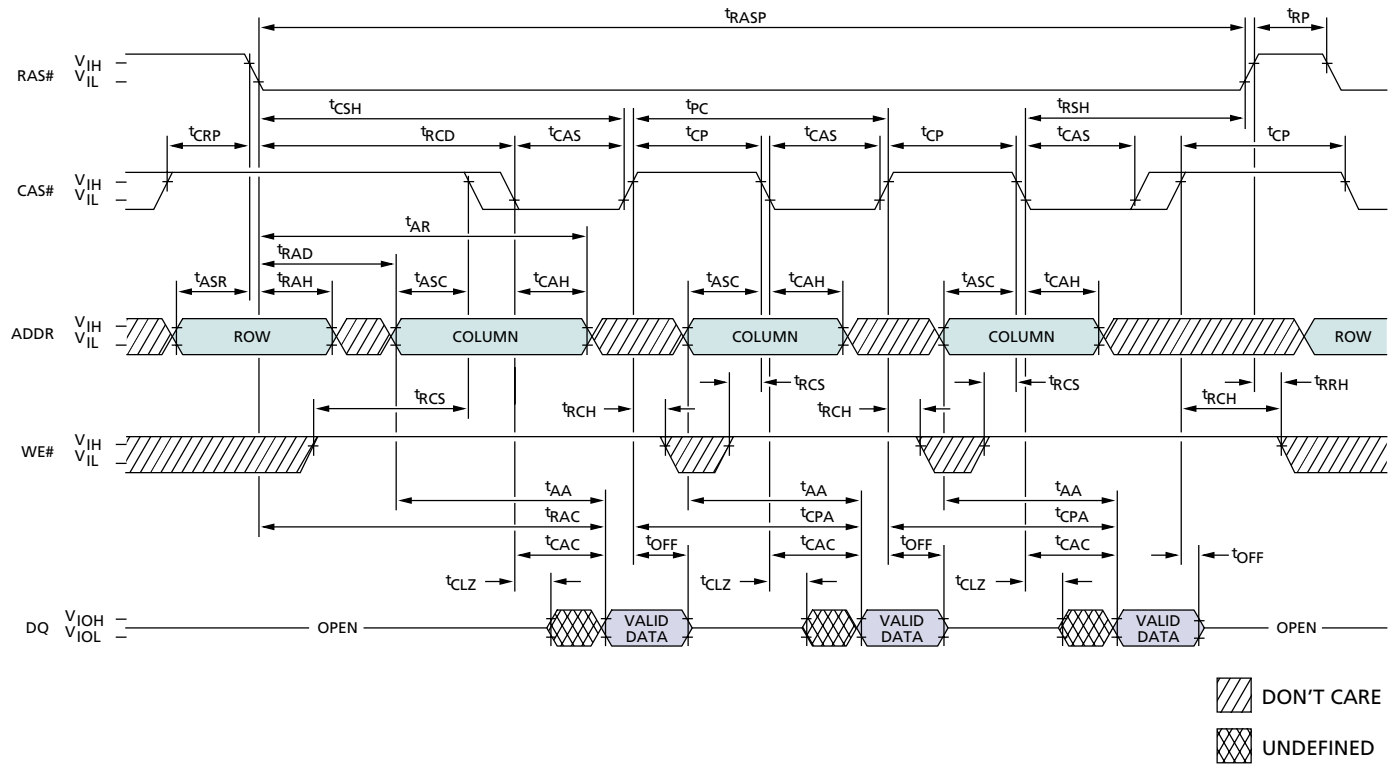
FAST PAGE MODE AND EDO PAGE MODE
TIMING PARAMETERS

SYMBOL	-5*		-6		UNITS
	MIN	MAX	MIN	MAX	
t_{ACH} (EDO)	12		15		ns
t_{AR}	38		45		ns
t_{ASC}	0		0		ns
t_{ASR}	0		0		ns
t_{CAH}	8		10		ns
t_{CAS} (FPM)	-	-	15	10,000	ns
t_{CAS} (EDO)	8	10,000	10	10,000	ns
t_{CRP}	5		5		ns
t_{CSH} (FPM)	-		60		ns
t_{CSH} (EDO)	38		45		ns
t_{CWL} (FPM)	-		15		ns
t_{CWL} (EDO)	8		10		ns
t_{DH}	8		10		ns
t_{DS}	0		0		ns
t_{RAD} (FPM)	-		15		ns

SYMBOL	-5*		-6		UNITS
	MIN	MAX	MIN	MAX	
t_{RAD} (EDO)	9		12		ns
t_{RAH}	9		10		ns
t_{RAS}	50	10,000	60	10,000	ns
t_{RC} (FPM)	-		110		ns
t_{RC} (EDO)	84		104		ns
t_{RCD} (FPM)	-		20		ns
t_{RCD} (EDO)	11		14		ns
t_{RP}	30		40		ns
t_{RSH}	13		15		ns
t_{RWL}	13		15		ns
t_{WCH}	8		10		ns
t_{WCR}	38		45		ns
t_{WCS}	0		0		ns
t_{WP} (FPM)	-		10		ns
t_{WP} (EDO)	5		5		ns

*EDO version only

FAST-PAGE-MODE READ CYCLE



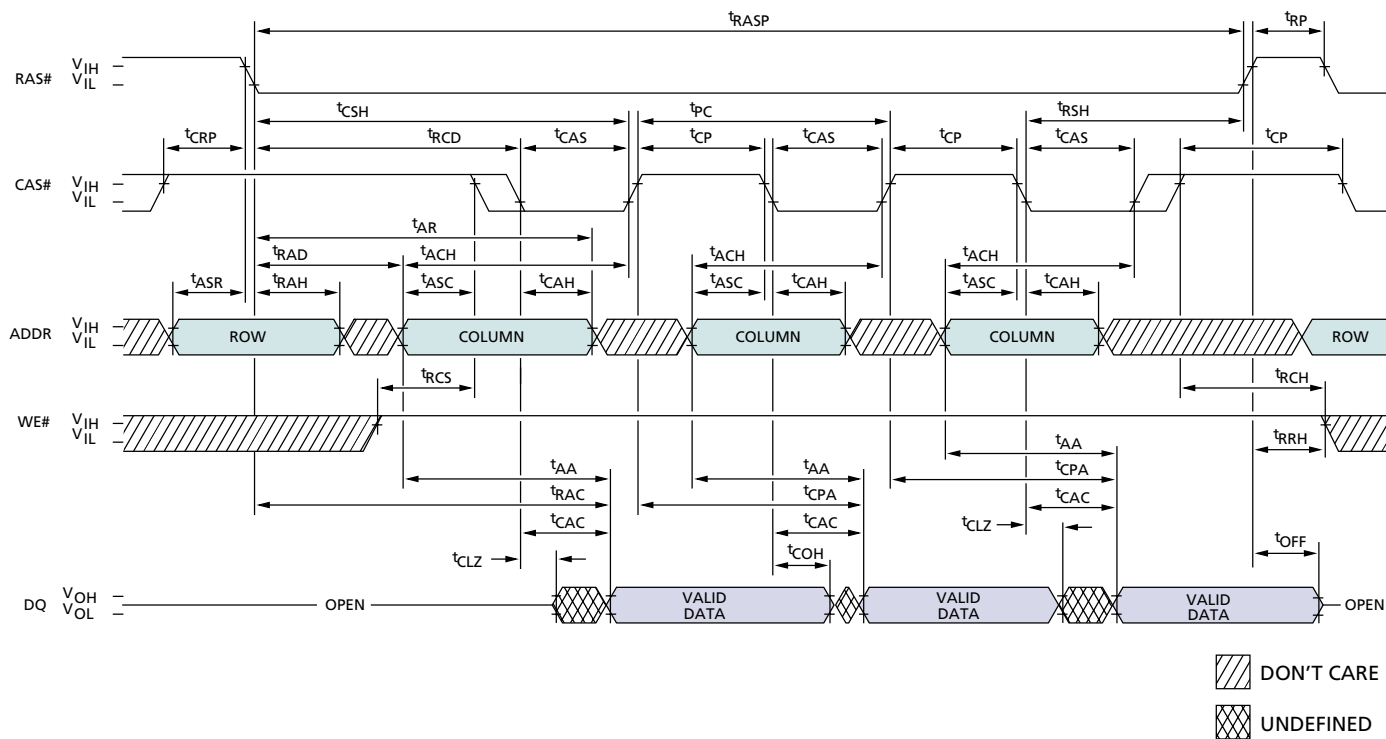
FAST PAGE MODE
TIMING PARAMETERS

SYMBOL	-6		UNITS
	MIN	MAX	
t_{AA}		30	ns
t_{AR}	45		ns
t_{ASC}	0		ns
t_{ASR}	0		ns
t_{CAC}		15	ns
t_{CAH}	10		ns
t_{CAS}	15	10,000	ns
t_{CLZ}	3		ns
t_{CP}	10		ns
t_{CPA}		35	ns
t_{CRP}	5		ns
t_{CSH}	60		ns

SYMBOL	-6		UNITS
	MIN	MAX	
t_{OFF}	3	15	ns
t_{PC}	35		ns
t_{RAC}		60	ns
t_{RAD}	15		ns
t_{RAH}	10		ns
t_{RASP}	60	125,000	ns
t_{RCD}	20		ns
t_{RCH}	0		ns
t_{RCS}	0		ns
t_{RP}	40		ns
t_{RRH}	0		ns
t_{RSH}	15		ns



EDO-PAGE-MODE READ CYCLE

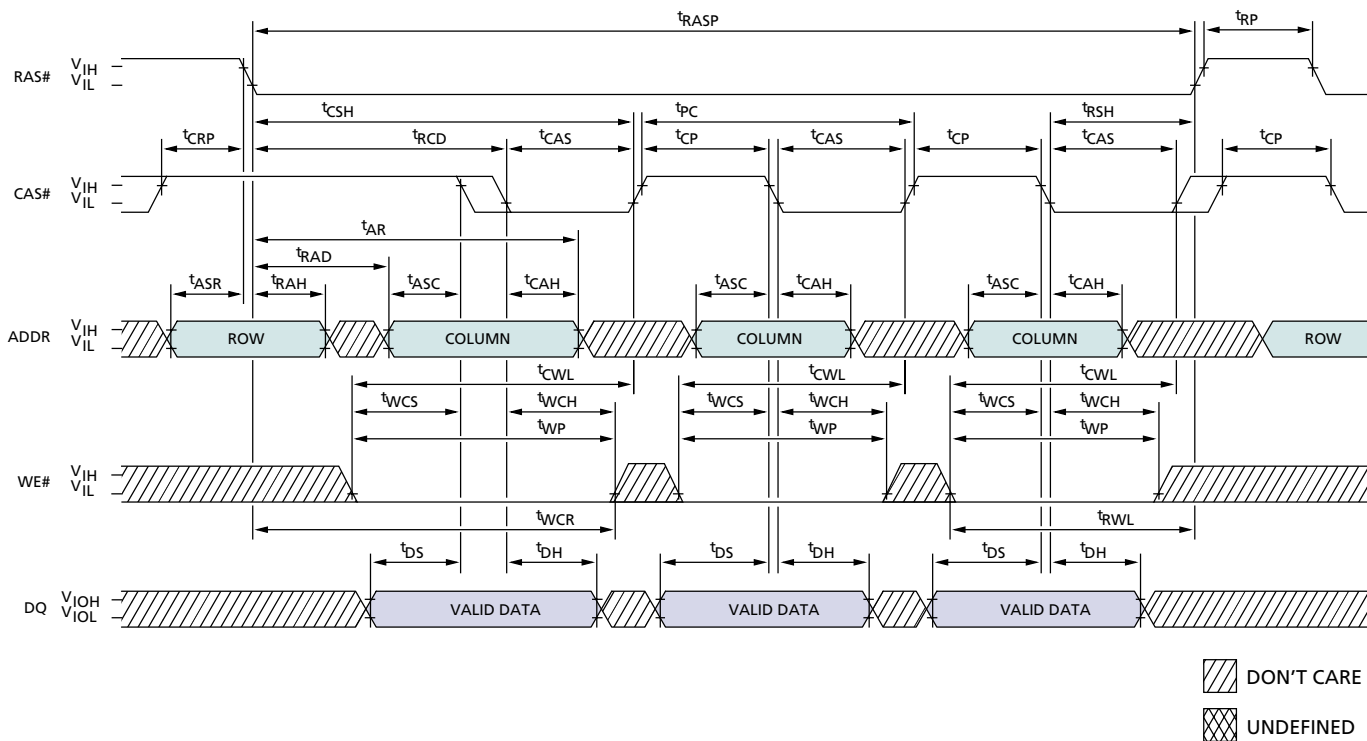


EDO PAGE MODE
TIMING PARAMETERS

SYMBOL	-5		-6		UNITS
	MIN	MAX	MIN	MAX	
tAA		25		30	ns
tACH	12		15		ns
tAR	38		45		ns
tASC	0		0		ns
tASR	0		0		ns
tCAC		13		15	ns
tCAH	8		10		ns
tCAS	8	10,000	10	10,000	ns
tCLZ	0		0		ns
tCOH	3		3		ns
tCP	8		10		ns
tCPA		28		35	ns
tCRP	5		5		ns

SYMBOL	-5		-6		UNITS
	MIN	MAX	MIN	MAX	
tCSH	38		45		ns
tOFF	0	12	0	15	ns
tPC	20		25		ns
tRAC		50		60	ns
tRAD	9		12		ns
tRAH	9		10		ns
tRASP	50	125,000	60	125,000	ns
tRCD	11		14		ns
tRCH	0		0		ns
tRCS	0		0		ns
tRP	30		40		ns
tRRH	0		0		ns
tRSH	13		15		ns

FAST-PAGE-MODE EARLY-WRITE CYCLE



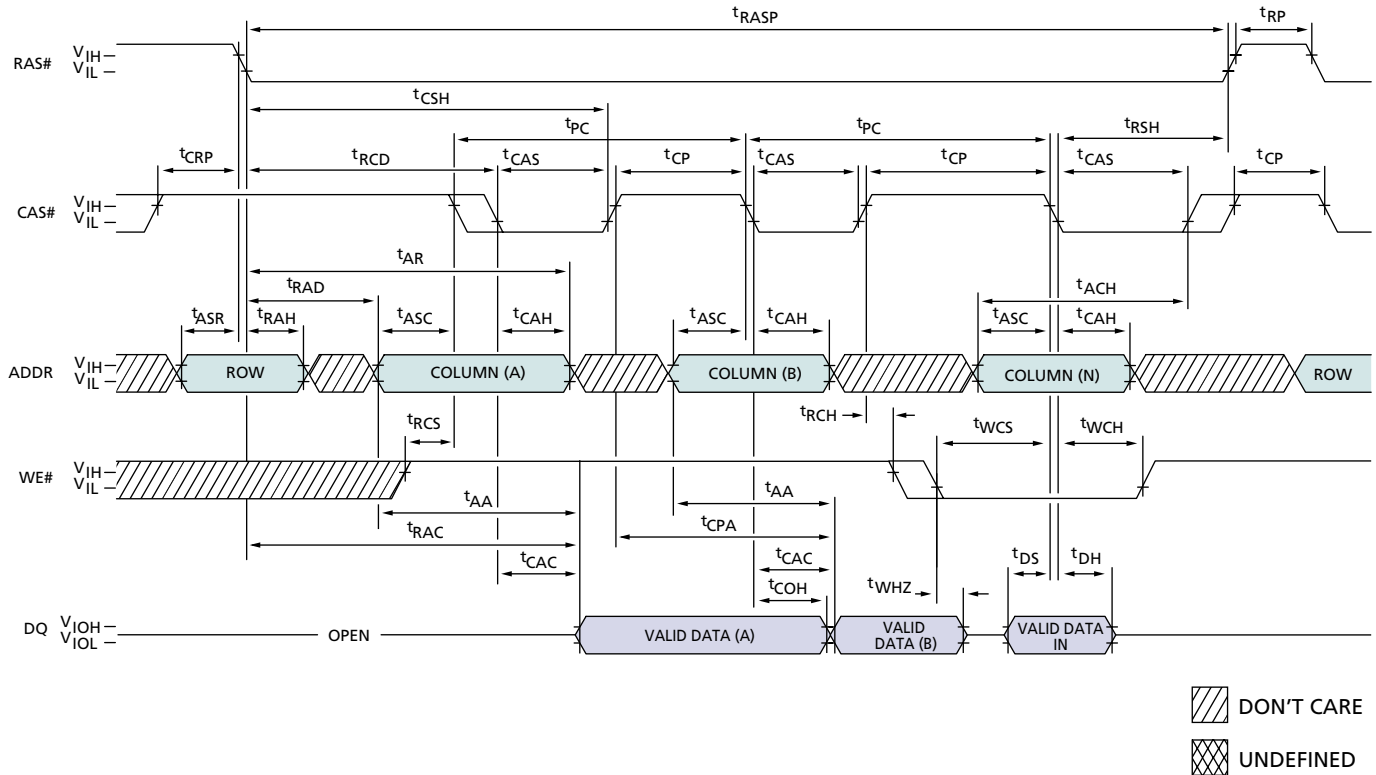
FAST PAGE MODE
TIMING PARAMETERS

SYMBOL	-6		UNITS
	MIN	MAX	
t_{AR}	45		ns
t_{ASC}	0		ns
t_{ASR}	0		ns
t_{CAH}	10		ns
t_{CAS}	15	10,000	ns
t_{CP}	10		ns
t_{CRP}	5		ns
t_{CSH}	60		ns
t_{CWL}	15		ns
t_{DH}	10		ns
t_{DS}	0		ns
t_{PC}	35		ns

SYMBOL	-6		UNITS
	MIN	MAX	
t_{RAD}	15		ns
t_{RAH}	10		ns
t_{RASP}	60	125,000	ns
t_{RCD}	20		ns
t_{RP}	40		ns
t_{RSH}	15		ns
t_{RWL}	15		ns
t_{WCH}	10		ns
t_{WCR}	45		ns
t_{WCS}	0		ns
t_{WP}	10		ns



EDO-PAGE-MODE READ-EARLY-WRITE CYCLE
(Pseudo READ-MODIFY-WRITE)



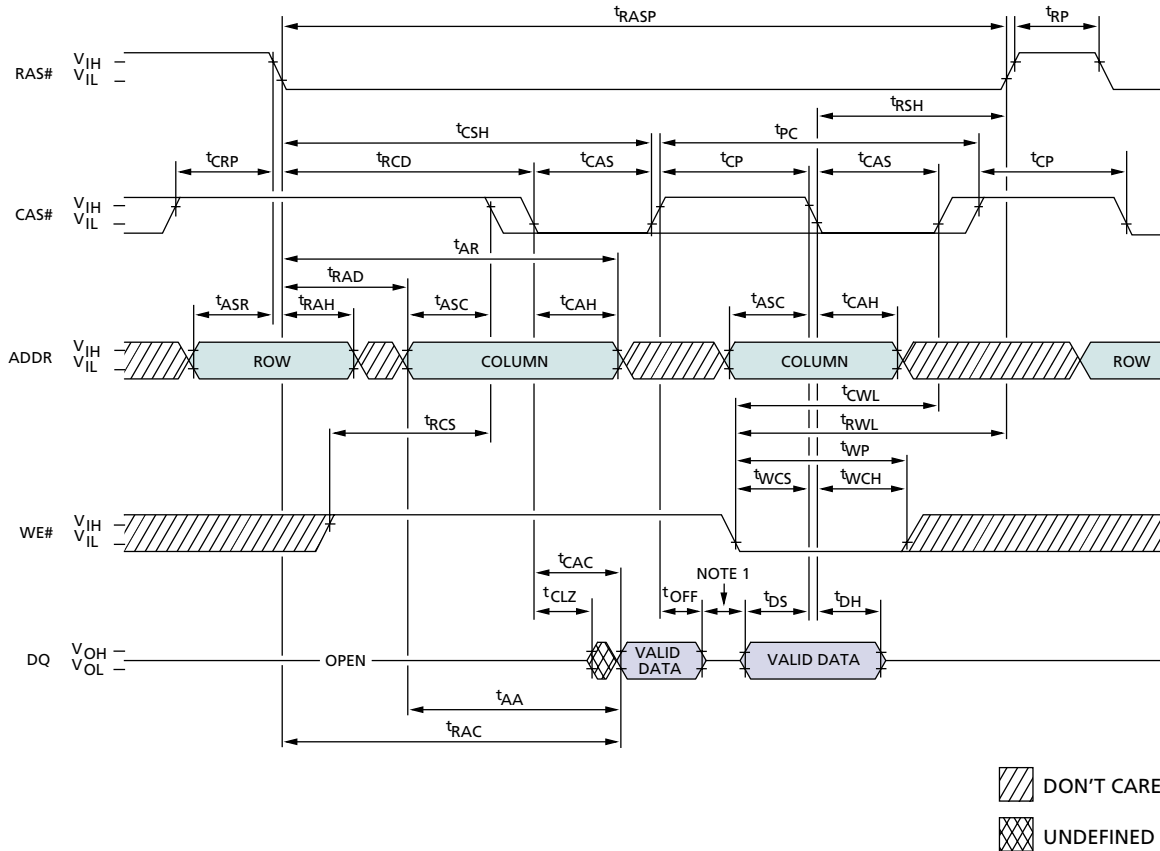
EDO PAGE MODE
TIMING PARAMETERS

SYMBOL	-5		-6		UNITS
	MIN	MAX	MIN	MAX	
tAA		25		30	ns
tACH	12		15		ns
tAR	38		45		ns
tASC	0		0		ns
tASR	0		0		ns
tCAC		13		15	ns
tCAH	8		10		ns
tCAS	8	10,000	10	10,000	ns
tCOH	3		3		ns
tCP	8		10		ns
tCPA		28		35	ns
tCRP	5		5		ns
tCSH	38		45		ns
tDH	8		10		ns

SYMBOL	-5		-6		UNITS
	MIN	MAX	MIN	MAX	
tDS	0		0		ns
tPC	20		25		ns
tRAC		50		60	ns
tRAD	9		12		ns
tRAH	9		10		ns
tRASP	50	125,000	60	125,000	ns
tRCD	11		14		ns
tRCH	0		0		ns
tRCS	0		0		ns
tRP	30		40		ns
tRSH	13		15		ns
tWCH	8		10		ns
tWCS	0		0		ns
tWHZ	0	12	0	15	ns



FAST-PAGE-MODE READ-EARLY-WRITE CYCLE
(Pseudo READ-MODIFY-WRITE)



▨ DON'T CARE
▩ UNDEFINED

**FAST PAGE MODE
TIMING PARAMETERS**

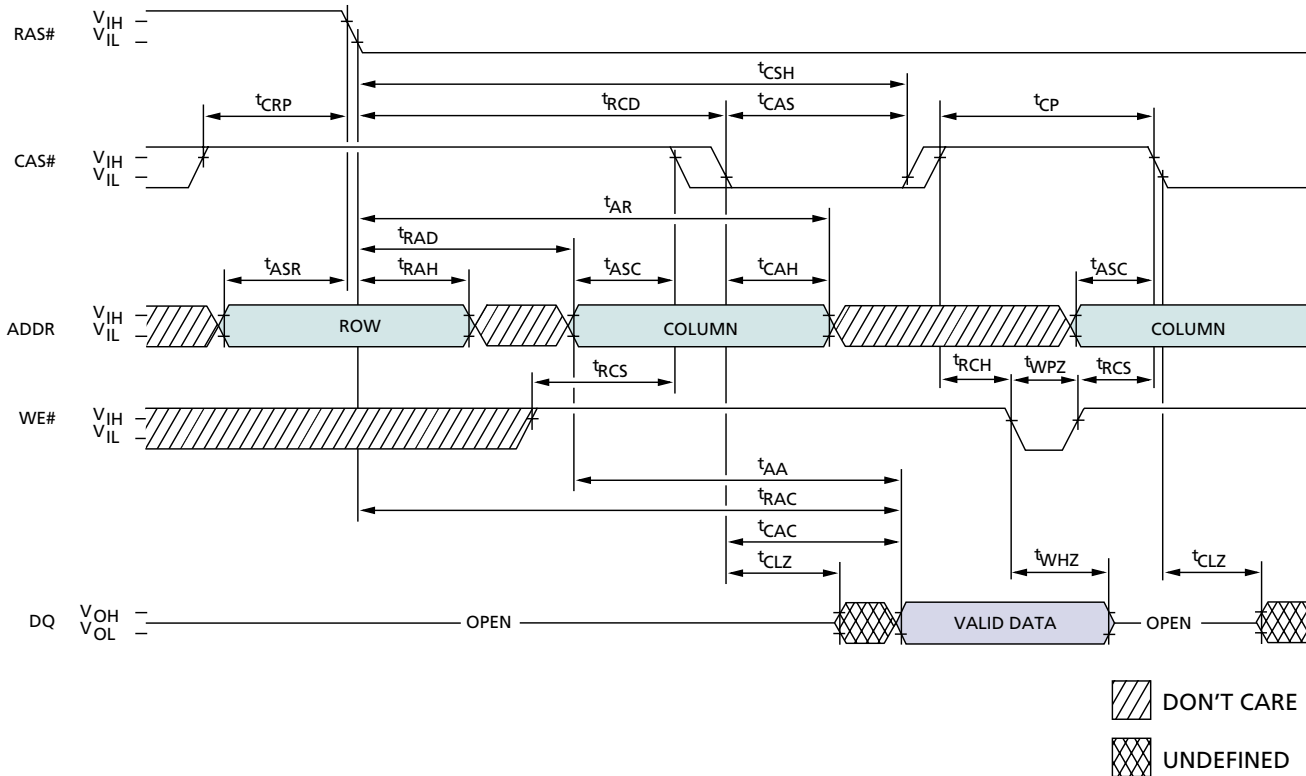
SYMBOL	-6		UNITS
	MIN	MAX	
tAA		30	ns
tAR	45		ns
tASC	0		ns
tASR	0		ns
tCAC		15	ns
tCAH	10		ns
tCAS	15	10,000	ns
tCLZ	3		ns
tCP	10		ns
tCRP	5		ns
tCSH	60		ns
tCWL	15		ns
tDH	10		ns
tDS	0		ns

SYMBOL	-6		UNITS
	MIN	MAX	
tOFF	3	15	ns
tPC	35		ns
tRAC		60	ns
tRAD	15		ns
tRAH	10		ns
tRASP	60	125,000	ns
tRCD	20		ns
tRCS	0		ns
tRP	40		ns
tRSH	15		ns
tRWL	15		ns
tWCH	10		ns
tWCS	0		ns
tWP	10		ns

NOTE: 1. Do not drive data prior to tristate.



EDO READ CYCLE
(with WE#-controlled disable)

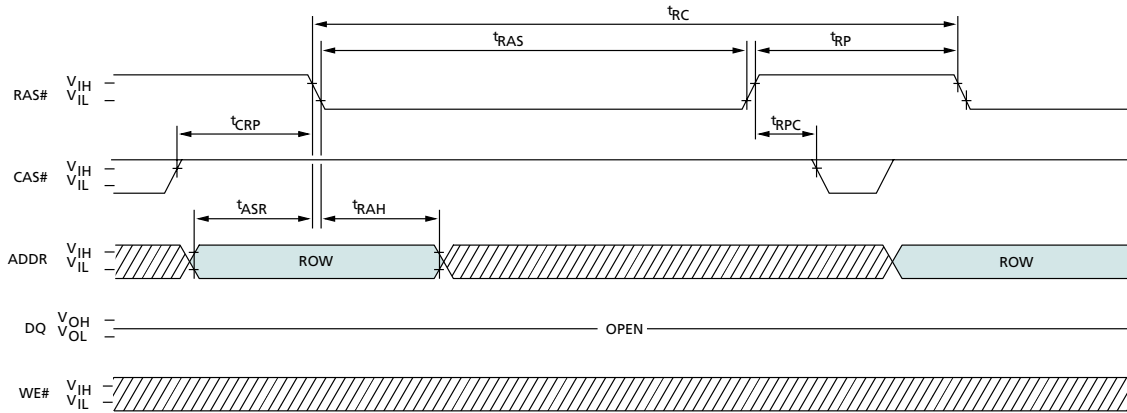


EDO PAGE MODE
TIMING PARAMETERS

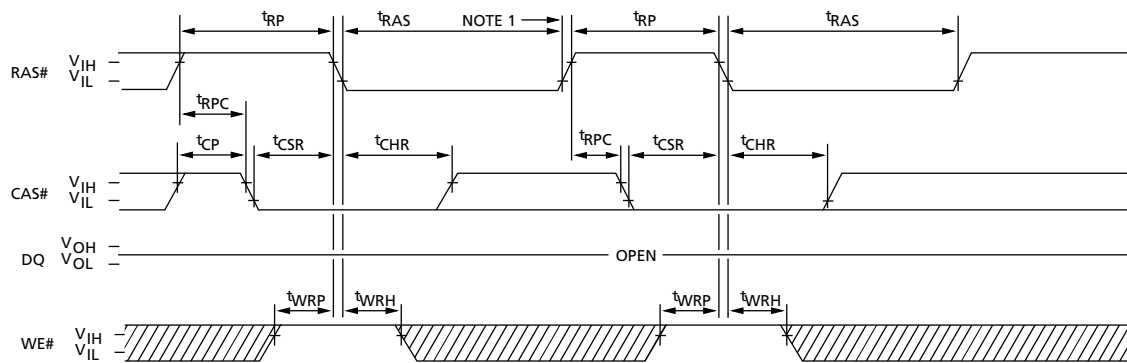
SYMBOL	-5		-6		UNITS
	MIN	MAX	MIN	MAX	
t _{AA}		25		30	ns
t _{AR}	38		45		ns
t _{ASC}	0		0		ns
t _{ASR}	0		0		ns
t _{CAC}		13		15	ns
t _{CAH}	8		10		ns
t _{CAS}	8	10,000	10	10,000	ns
t _{CLZ}	0		0		ns
t _{CP}	8		10		ns
t _{CRP}	5		5		ns

SYMBOL	-5		-6		UNITS
	MIN	MAX	MIN	MAX	
t _{CSH}	38		45		ns
t _{RAC}		50		60	ns
t _{RAD}	9		12		ns
t _{RAH}	9		10		ns
t _{RCD}	11		14		ns
t _{RCH}	0		0		ns
t _{RCS}	0		0		ns
t _{WHZ}	0	12	0	15	ns
t _{WPZ}	10		10		ns

RAS#-ONLY REFRESH CYCLE ²⁵



CBR REFRESH CYCLE ²⁵
(Addresses = DON'T CARE)



DON'T CARE
 UNDEFINED

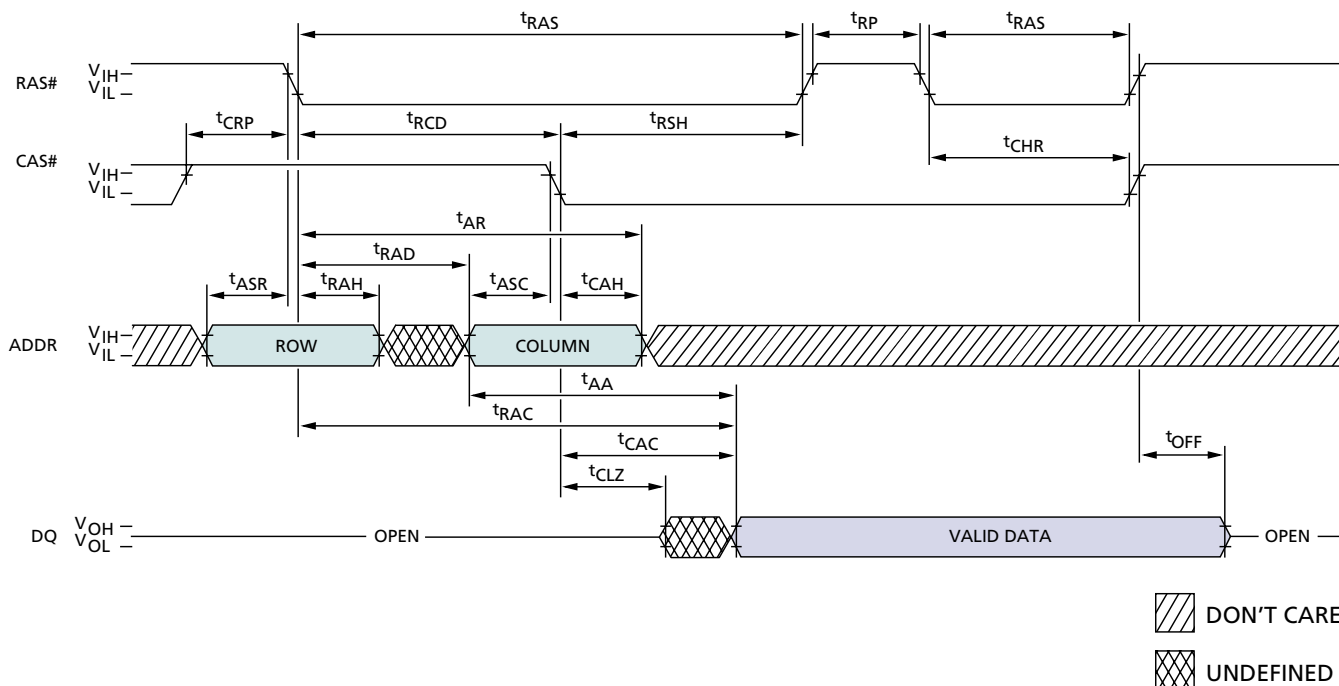
**FAST PAGE MODE AND EDO PAGE MODE
TIMING PARAMETERS**

SYMBOL	-5*		-6		UNITS
	MIN	MAX	MIN	MAX	
t _{ASR}	0		0		ns
t _{CHR} (FPM)	-		10		ns
t _{CHR} (EDO)	8		10		ns
t _{CP}	8		10		ns
t _{CRP}	5		5		ns
t _{CSR}	5		5		ns
t _{RAH}	9		10		ns
t _{RAS}	50	10,000	60	10,000	ns

SYMBOL	-5*		-6		UNITS
	MIN	MAX	MIN	MAX	
t _{RC} (FPM)	-		110		ns
t _{RC} (EDO)	84		104		ns
t _{RP}	30		40		ns
t _{RPC} (FPM)	-		0		ns
t _{RPC} (EDO)	5		5		ns
t _{WRH}	8		10		ns
t _{WRP}	8		10		ns

*EDO version only

HIDDEN REFRESH CYCLE ^{20, 25}
(WE# = HIGH)



**FAST PAGE MODE AND EDO PAGE MODE
TIMING PARAMETERS**

SYMBOL	-5*		-6		UNITS
	MIN	MAX	MIN	MAX	
tAA		25		30	ns
tAR	38		45		ns
tASC	0		0		ns
tASR	0		0		ns
tCAC		13		15	ns
tCAH	8		10		ns
tCHR	8		10		ns
tCLZ (FPM)	-		3		ns
tCLZ (EDO)	0		0		ns
tCRP	5		5		ns
tOFF (FPM)	-	-	3	15	ns

SYMBOL	-5*		-6		UNITS
	MIN	MAX	MIN	MAX	
tOFF (EDO)	0	12	0	15	ns
tRAC		50		60	ns
tRAD (FPM)	-		15		ns
tRAD (EDO)	9		12		ns
tRAH	9		10		ns
tRAS	50	10,000	60	10,000	ns
tRCD (FPM)	-		20		ns
tRCD (EDO)	11		14		ns
tRP	30		40		ns
tRSH	13		15		ns

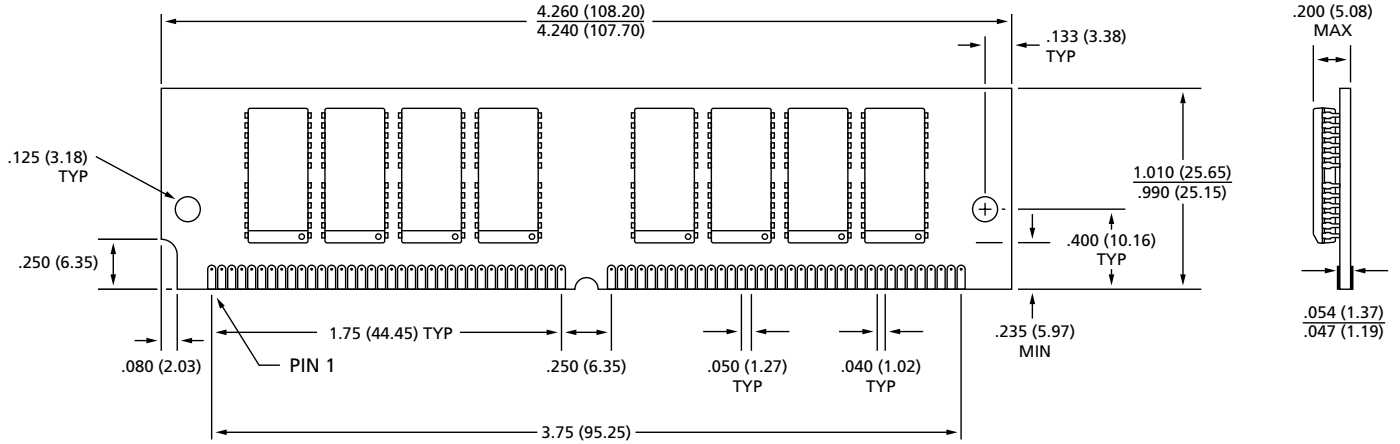
*EDO version only

NOT RECOMMENDED FOR NEW DESIGNS

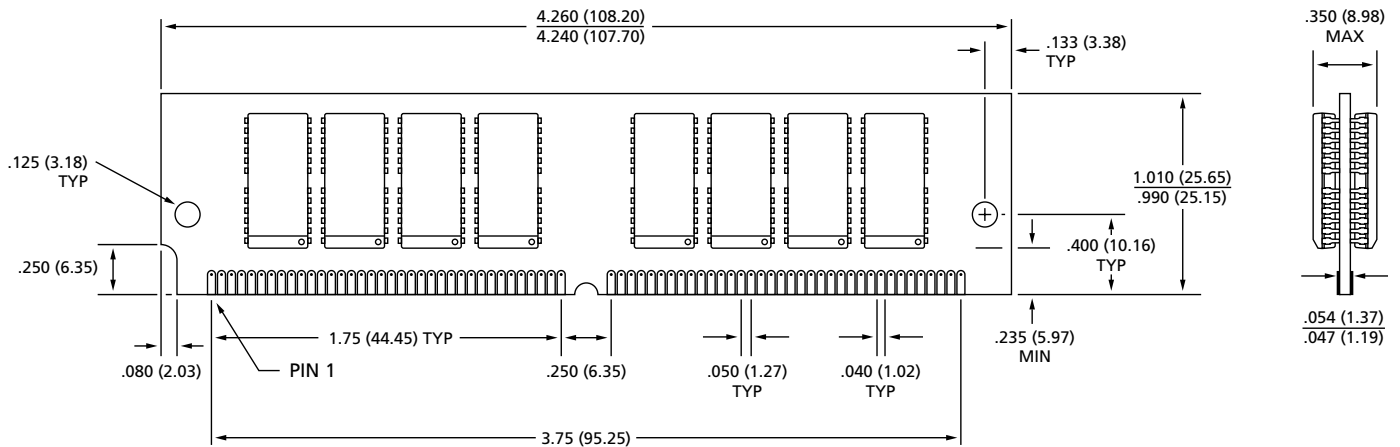


4, 8 MEG x 32
DRAM SIMMs

72-Pin SIMM (16MB)



72-Pin SIMM (32MB)



8000 S. Federal Way, P.O. Box 6, Boise, ID 83707-0006, Tel: 208-368-3900

E-mail: prodmtg@micronsemi.com, Internet: <http://www.micronsemi.com>, Customer Comment Line: 800-932-4992

Micron is a registered trademark of Micron Technology, Inc.