

PDS-70MR 24V



FEATURES

- Economical
- Compact size
- Ease of installation
- Ethernet/DMX ready
- Available with Preprogrammed effects
- Robust 72W power source
- Wet/damp NEMA 4 housing (IP66)
- Choice of intelligent data drivers



ITEM# 109-000018-00 (Preprogrammed)
109-000018-01 (DMX)
109-000018-02 (Ethernet)

This product is protected by one or more of the following patents:
U.S. Patent Nos. 6,016,038, 6,150,774 and other patents listed at
<http://colorkinetics.com/patents/>. Other patents pending.

©2004-2005 Color Kinetics Incorporated. All rights reserved.
Chromacore, Chromasic, Color Kinetics, the Color Kinetics
logo, ColorBlast, ColorBlaze, ColorBurst, ColorCast, ColorPlay,
ColorScape, Direct Light, iColor, iColor Cove, iPlayer, Optibin,
QuickPlay, Sauce, the Sauce logo, and Smartjuice are registered
trademarks and DIMand, IntelliWhite, Powercore, and Video With
Light are trademarks of Color Kinetics Incorporated.

All other brand or product names are trademarks
or registered trademarks of their respective owners.

BRO135 Rev 02

Specifications subject to change without notice.

Color Kinetics® PDS-70mr 24V provides power and data to Color Kinetics iColor MR g2 lamps, and features Color Kinetics patented Smartjuice® technology. Smartjuice multiplexes incoming power and data onto an outgoing two-wire circuit for use with conventional lighting fixtures such as, tracks, cables, rails, and pendants for simplified new and retrofit installations.

PDS-70mr 24V provides a robust 72W power source and a choice of intelligent data drivers. The available data drivers condition data supplied from Ethernet or DMX512 controllers, including Color Kinetics full line of controllers, to a format compatible with the lamps. PDS-70mr 24V is also available with a preprogrammed effects module. The integration of power and data simplifies wiring installation, and the selection of control configurations expands the versatility of the applications.

PDS-70mr 24V PREPROGRAMMED interface is best suited for installations using simple effects across all light nodes. The preprogrammed shows are: Chasing Rainbow, Fixed Color, Color Wash, Random Fade.

PDS-70mr 24V DMX interface is used for installations using a DMX controller such as iPlayer 2, ColorDial, or a third party DMX controller.

PDS-70mr 24V ETHERNET interface is designed to work with Color Kinetics Light System Manager and is ideal for large installations.

PDS-70mr 24V is housed in a compact NEMA 4 (IP66) enclosure designed for use in wet locations and complies with National Electrical Code (NEC) requirements. Each PDS-70mr 24V features multiple conduit entries sized for 1/2- and 3/4-inch trade sized conduit. The 72W power source features an automatic over-temperature shut-off to protect it from damage due to overheating and the data drive circuitry has been specifically designed with short circuit protection to prevent failures due to incorrect wiring or installation.

PDS-70mr 24V automatically accommodates supply voltages ranging from 100VAC to 240VAC, which must be hard-wired to the power source and is over-current protected. RJ45 data input accepts data from Ethernet or DMX Cat 5 data cables. From a DMX or Preprogrammed power/data supply, the data output connectors allow daisy-chaining DMX data to other DMX supplies.

PDS-70mr 24V SPECIFICATIONS

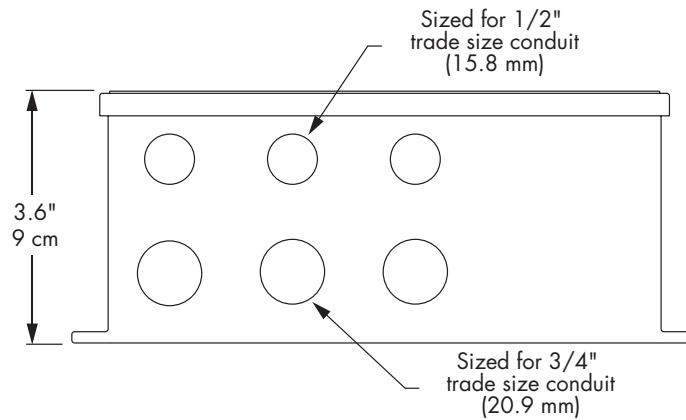
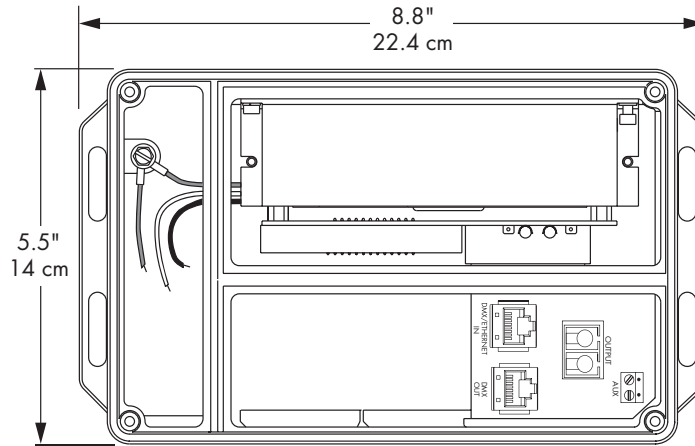
POWER INPUT	100VAC to 240VAC auto ranging (50Hz–60Hz), 1.7A Power factor correction (PFC)
POWER OUTPUT	24VDC (72W Max.)
HEAT DISSIPATION	25 percent of total power output
AMBIENT OPERATING TEMP	14°F to 104°F (-10°C to 40°C)
HOUSING	NEMA 4 enclosure; housing dimensions: 8.8" (22.4 cm) x 5.5" (14 cm) x 3.6" (9 cm)
CONNECTORS	Data: RJ45 input and output connectors Power: 2-pin output connectors
DATA INPUT INTERFACE	PDS-70mr PREPROGRAMMED: No external data input PDS-70mr DMX: Color Kinetics DMX controllers or DMX512 compatible PDS-70mr ETHERNET: Color Kinetics Light System Manager Ethernet
PROTECTION RATING	IP66
LISTINGS	C-UL US listed, CE listed, Pending

U.S. AND FOREIGN PATENTS AND PATENTS PENDING

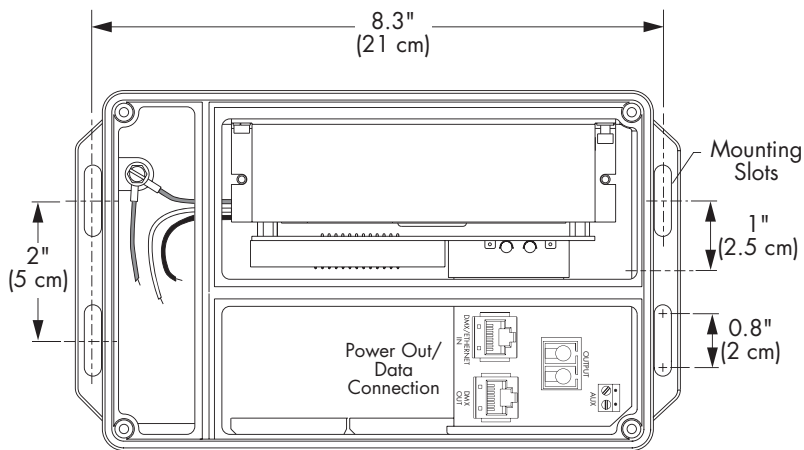
PDS-70mr 24V

PHYSICAL DIMENSIONS

OVERALL DIMENSIONS



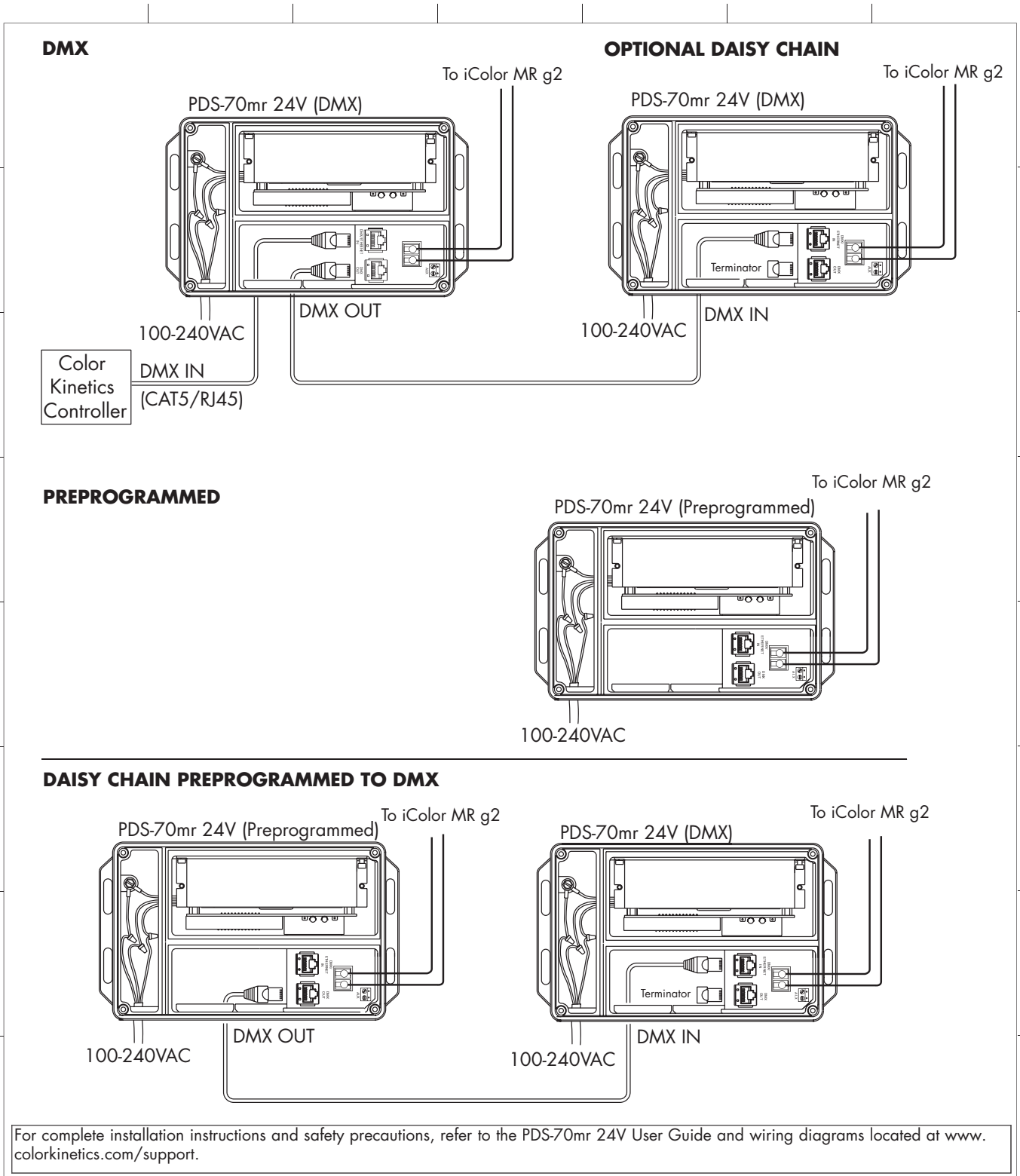
MOUNTING DIMENSIONS



PDS-70mr 24V	
ITEM # 109-000018-00/01/02	
DATA CONNECTOR	Input and output: RJ45
OUTPUT CONNECTOR	2-pin
SUPPLY CONNECTOR	Flying leads
WEIGHT	4.5 lbs. (2 kg)

PDS-70mr 24V

FUNCTIONAL FLOW DIAGRAM



PDS-70mr 24V

FUNCTIONAL FLOW DETAIL

