

Features:

- Universal Rack for the CAR1248FP and CAR1248TN
- Up to 6,000W (4,800W N+1)
- Fully Hot-Pluggable and Redundant
- Remote Sensing
- LED Indicators
- Built-in Alarm Signals
- Full Protection Features
- World-Wide Safety Approvals



FEATURES	BENEFITS
Single Wire Current Sharing	Provide system stress balancing and increases reliability
Constant Power Option	Better suited for battery charging applications
Constant Current Option	Designed for front-end bulk supply applications
Voltage Trimming Capability	Designed for float VRLA batteries
BControl and Monitoring Signals	Allows for superior system control
Universal Input & International	Reduced logistic costs, meets world-wide standards
Built in Variable Speed fan	Low noise and increased reliability
LVD and Controller Option	Complete system integration for telecom applications

KEY MARKETS & APPLICATIONS	
■ Base Stations	■ ATE Equipment
■ Satellite Hubs	■ RF Amplifiers
■ Networking Equipment	
■ Telecom Access Nodes	
■ Power for Distributed Power Architectures	
■ Central Office Switching	

SPECIFICATIONS	6000 Watt Power Shelf for Five CAR1248 Front End & Rectifier Power Supplies	
	CAR1248TN	CAR1248FP
Rectifier/Front-End Model	CAR1248TN	CAR1248FP
Maximum Output Power	6000W (4800W N+1 Redundancy) at High Line	
Output Current	112.5A at High Line (92.5A @ low Line)	125A at High Line (104A @ low Line)
Output Voltage	-54VDC ±0.2V	+48VDC ±0.1V
Output Voltage Range	-42VDC to -56VDC	+43.2 to +52.8VDC
Input Voltage*	90-264VAC, 47-63Hz (Individual input feeds)	
Maximum Input Current	12.75A@100VAC, 7.9A@180VAC per module	
Maximum Inrush Current	40A per input (per ETS 300 132-1)	
Power Factor	0.99 typical. Complies with IEC555, EN60555-2, EN61000-3-2	
Efficiency	91% typical at nominal load and 230VAC. (85% at 90VAC)	
Regulation - Line	±2% of input power line	
Regulation - Load	±1% of load	
Ripple and Noise	Complies with ETS300 132-2, 32dBnc. Bandwidth: 25Hz - 20kHz. ±1% pk-pk with 0/1uF ceramic and 10uF electrolytic caps at the output.	
Load Sharing	Active single wire load sharing. Unit to share ±10% of full load.	
Transient Response	5% max deviation, 300uSec recovery time @ 50% step load and di/dt < 1A/us	
Status Indicators	AC good (GREEN), DC good (GREEN), FAULT (RED)	
Alarm Signals	AC OK, AC High, DC OK, Temperature OK, Module Missing, Current Monitoring, Remote ON/OFF	
Current Limit Protection	Self protected between the range of 110% - 130% of Iout nominal	
Overvoltage Protection (OVP)	59VDC ±1V	
Temperature Range	-10C to 70C (Power derating above 50C at 2%/C). -40C start up.	
Shock & Vibration	IEC 68-2-27, MIL-STD-810E, 20G, Telcordia GR-63-CORE, GR-487-CORE	
EMI/EMC	Class B (FCC and CISPR compliant) - EN55022 Level B. CE Marking Level B. GR-1089-CORE	
Safety Approvals	UL: 487, 1012, 1950 CSA 22.2 No. 650 IEC: 380, 435, 950 VDE 0804, 0806 & CE Marked TUV	
Dimensions	1.74" x 19.00" x 14.98" (44.1mm x 482.6mm x 380.5mm) - including mounting ears	

rev 100506

www.lineagepower.com/om

Lineage Power

3000 Skyline Dr.
Mesquite, TX 75149
Phone: (972) 284-2000

Lineage Power

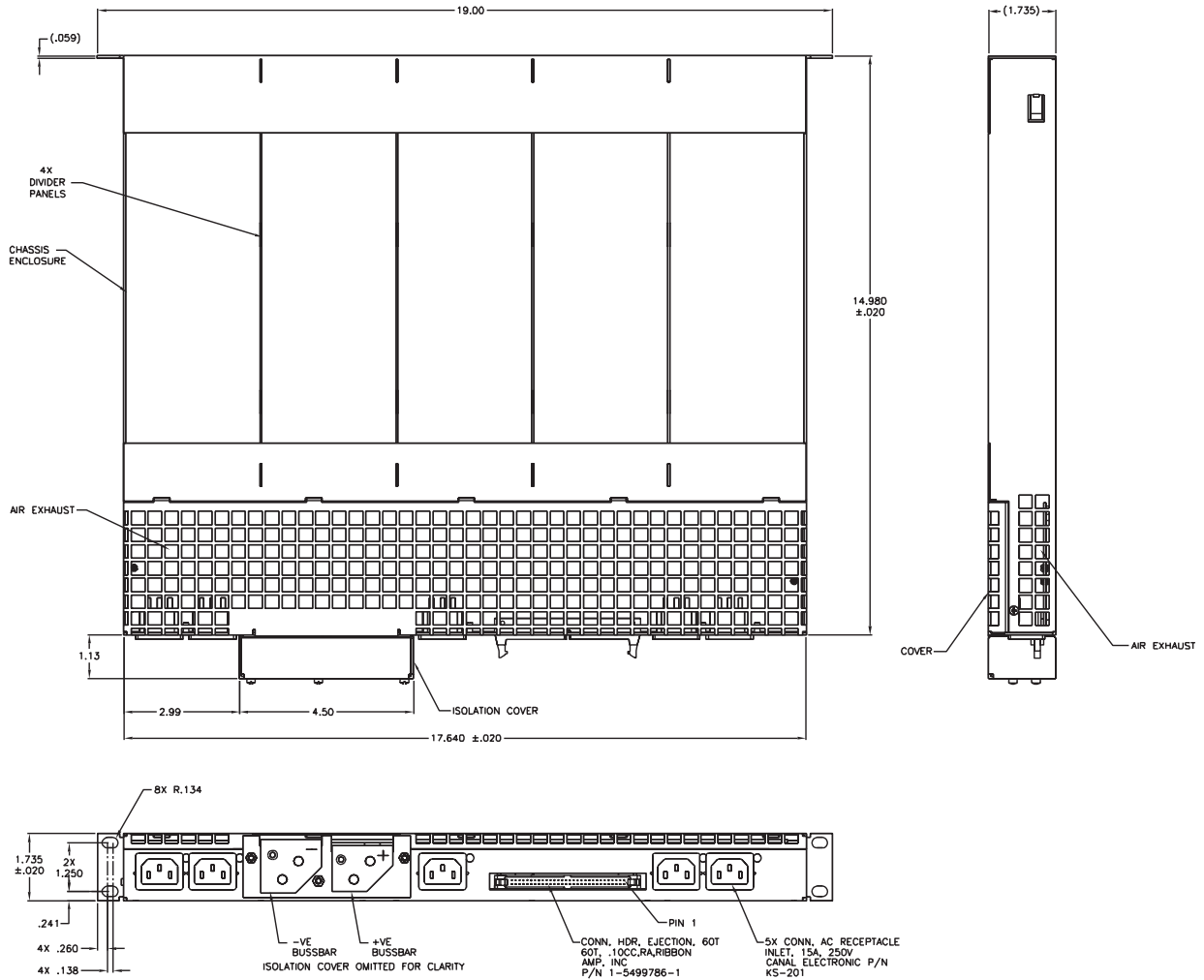
2841 Dow Avenue
Tustin, CA 92780 USA
Phone: (714) 544-6665

Lineage Power (China)

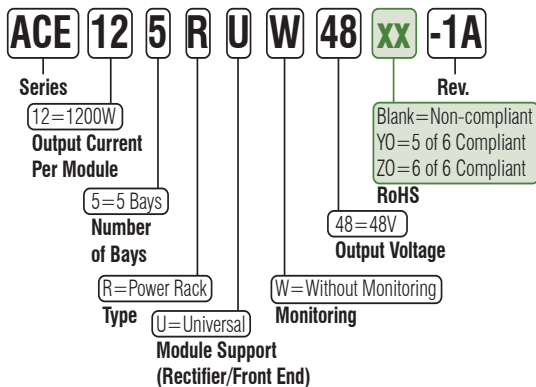
1353 Chenqiao Road, Shanghai Sengpu Industrial Park
Shanghai, 201401 China
Phone: 021 6710 8910



OUTLINE DRAWING



PART NUMBER DEFINITION GUIDE



PIN OUT INFORMATION

1	AC OK 1	16	FAULT 2	31	AC HIGH 4	46	SDA
2	DC OK 1	17	AC OK 3	32	FAULT 4	47	WP
3	MODPRES 1	18	DC OK 3	33	AC OK 5	48	RS+_F
4	TEMP OK 1	19	MODPRES 3	34	DC OK 5	49	RS-_F
5	ON/OFF 1	20	TEMP OK 3	35	MODPRES 5	50	Signal RTN
6	I MON 1	21	ON/OFF 3	36	TEMP OK 5	51	NU
7	AC HIGH 1	22	I MON 3	37	ON/OFF 5	52	5SVB_F
8	FAULT 1	23	AC HIGH 3	38	I MON 5	53	5SVB_F
9	AC OK 2	24	FAULT 3	39	AC HIGH 5	54	5SVB_F
10	DC OK 2	25	AC OK 4	40	FAULT 5	55	5SVB_F
11	MODPRES 2	26	DC OK 4	41	NU	56	NU
12	TEMP OK 2	27	MODPRES 4	42	I_SHARE	57	5SVB_RTN_F
13	ON/OFF 2	28	TEMP OK 4	43	VPROG	58	5SVB_RTN_F
14	I MON 2	29	ON/OFF 4	44	INT	59	5SVB_RTN_F
15	AC HIGH 2	30	I MON 4	45	SCL	60	5SVB_RTN_F

rev 100506

www.lineagepower.com/oem

Lineage Power

3000 Skyline Dr.
Mesquite, TX 75149
Phone: (972) 284-2000

Lineage Power

2841 Dow Avenue
Tustin, CA 92780 USA
Phone: (714) 544-6665

Lineage Power (China)

1353 Chenqiao Road, Shanghai Sengpu Industrial Park
Shanghai, 201401 China
Phone: 021 6710 8910