

# LSI53C860E

## SCSI CONTROLLER

The Communications Company™

### PCI-ULTRA SCSI CONTROLLER



### OVERVIEW

The LSI53C860E controller supports Ultra SCSI transfers, enabling the chip to transfer SCSI data at up to 20 MBps across an 8-bit SCSI bus. Ultra SCSI doubles the synchronous transfer rates of Fast SCSI. The advantage of LSI Logic's Ultra SCSI is that it significantly improves SCSI bandwidth, while preserving existing hardware and software investments. The LSI53C860E provides full SCSI-2 capabilities, including command queuing, and features TolerANT® SCSI driver and receiver technology, for reliable operation in all cabling environments. It is designed to connect to the Peripheral Component Interconnect (PCI) bus, performing burst transfers on the bus in excess of 110 MBps.

The LSI53C860E controller and Storage Device Management System (SDMS™) software, provide a total Ultra SCSI solution in PC and workstation environments. LSI Logic's SDMS software package supports the entire LSI53C8XX family of PCI to SCSI controllers, plus a wide range of SCSI peripheral devices.

PCI performance enhancements on the LSI53C860E include the SCRIPTS (the LSI Logic developed SCSI programming language) instruction prefetch, which when enabled, permits fetching four or eight double words of instructions or instruction operands. By pre-fetching instructions, the LSI53C860E makes more efficient use of the PCI system bus by reducing the PCI bus overhead requirements. In addition, the part supports the PCI Cache Line Size Register with programmable alignment logic and automatic burst sizing, allowing system architects to maximize their cache-based system performance

### BENEFITS

- Ultra SCSI technology doubles the I/O bandwidth to 20 MBps
- Builds upon proven technology — A pin-for-pin replacement for the industry standard LSI53C810 and LSI53C810AE
- Easy migration minimizes schedule and design risk
- Provides new features for enhanced PCI performance and flexibility

### FEATURES

- Performs high-speed single-ended SCSI bus transfers up to:
  - 20 MBps synchronous Ultra SCSI transfers
  - 7 MBps asynchronous transfers
- SCRIPTS™ Instruction Prefetch
- Load and Store instruction
- Support for PCI Cache Line Size Register
- Functions as full 32-bit PCI DMA bus master
- Bursts 2, 4, 8, or 16 dwords of data across PCI bus using 80-byte DMA FIFO

LSI LOGIC®

# LSI53C860E SCSI Controller

through efficient use of PCI Memory Read Line, Memory Read Multiple, and Memory Write and Invalidate access cycles. Other selectable features that can be activated include:

- IRQ disable, allowing users to better control the times when their system can receive interrupts.
- SCSI Selected as ID register, improving SCRIPTS coding and system tracking.
- Load and Store instruction allows the programmer a new, efficient instruction option to load data directly to/from memory and from/to an internal register, reducing the number of I/O instructions to implement a SCRIPTS task.

## **EASE-OF-USE FEATURES**

- Pin-for-pin replacement for LSI53C810 and LSI53C810AE devices
- Minimal software and hardware modification required for Ultra SCSI
- Compact 100-pin PQFP reduces board space requirements
- Direct PCI to SCSI connection
- Compiler-compatible with existing LSI53C7XX and LSI53C8XX SCRIPTS
- Fully supported by SDMS software for complete PC-based operating system support

## **FLEXIBILITY FEATURES**

- Selectable IRQ disable
- SCSI Selected as ID register
- Support for both 3.3 volt and 5 volt PCI interfaces
- High-level programming interface (SCSI SCRIPTS)
- Allows tailored SCSI sequences to be executed from main memory
- Accommodates changes in the logical I/O interface definition
- Low-level access to all registers and all SCSI bus signals

## COMPATIBILITY FEATURES

- Full complement of LSI Logic SCSI SCRIPTS PCI development tools available
- BIOS and driver support for hard disk, tape, CD-ROM, and removable media peripherals for all of the major operating systems, including:
  - Windows® NT® 4.0
  - Windows® 95/98
  - DOS
  - Linux®
  - NetWare®
  - SCO UnixWare™
  - OS/2 Warp
  - Solaris®

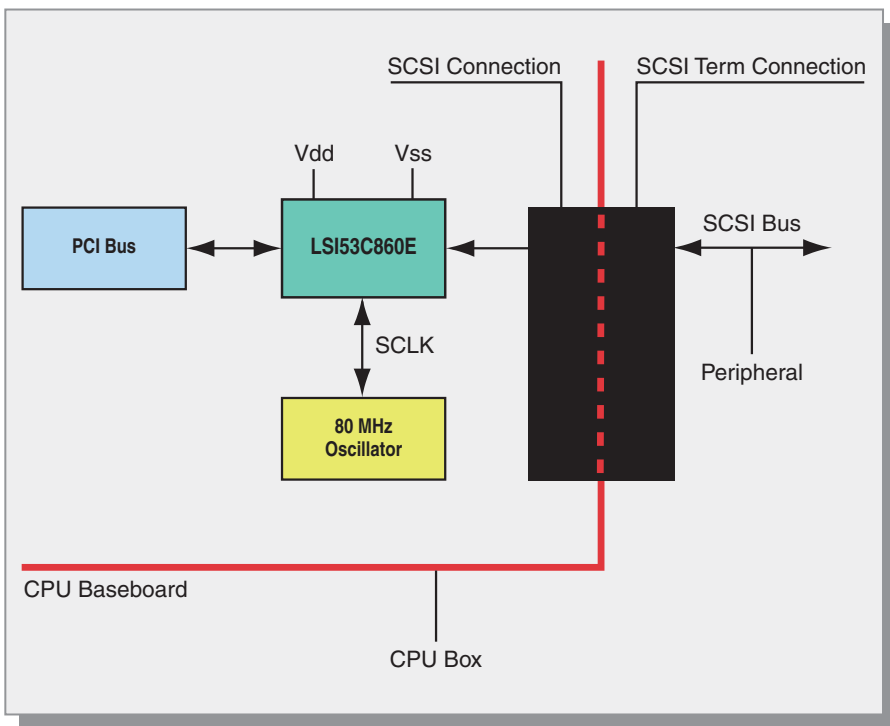


Figure 1: LSI53C860E system diagram

# LSI53C860E SCSI Controller

For more information please visit  
the LSI Logic web site at:

**<http://storageio.lsillogic.com>**

## **LSI Logic Corporation**

North American Headquarters  
Milpitas, CA  
Tel: 800 574 4286

## **LSI Logic Europe Ltd.**

European Headquarters  
United Kingdom  
Tel: 44 1344 426544  
Fax: 44 1344 481039

## **LSI Logic KK Headquarters**

Tokyo, Japan  
Tel: 81 3 5463 7165  
Fax 81 3 5463 7820

ISO 9000 Certified

LSI Logic logo design and TolerANT are registered trademarks, and SCRIPTS and SDMS are trademarks of LSI Logic Corporation. All other brand and product names may be trademarks of their respective companies.

LSI Logic Corporation reserves the right to make changes to any products and services herein at any time without notice. LSI Logic does not assume any responsibility or liability arising out of the application or use of any product or service described herein, except as expressly agreed to in writing by LSI Logic; nor does the purchase, lease, or use of a product or service from LSI Logic convey a license under any patent rights, copyrights, trademark rights, or any other of the intellectual property rights of LSI Logic or of third parties.

Copyright ©2001 by LSI Logic Corporation.  
All right reserved.

Order No. S20034  
2/01-500 – Printed in USA

**LSI LOGIC**®