

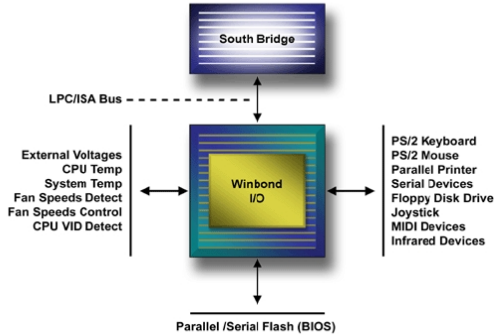
- Products Lines
- Consumer Logic IC
- Computer Logic IC
- Foundry Service

## I/O Controllers Overview

Nuvoton LPC and ISA I/O Controllers for X86 CPU architecture support legacy PC I/O. Optional Hardware Monitor supports thermal, voltage and fan management. Nuvoton SMARTFAN technology supports "Program and Forget" protocol without CPU overhead. Other advanced features include parallel or serial flash memory interface for BIOS and ACPI for power management

### Related Links

- > Key Features
- > Applications
- > Product Selection Guide
- > How To Buy



### Key Features

- > LPC/ISA compliant
- > Support legacy PC I/O peripherals
- > Advanced thermal, fan and voltage monitor & control
- > Parallel/Serial Flash Interface
- > ACPI controller for system power management

### Benefits

- > Compatible with X86 chipsets
- > Single-chip I/O solution
- > Integrated "Hardware Monitor" lower system cost
- > Lower system power consumption
- > Flexible BIOS flash memory types for lower cost

[Back to Top](#)

### Applications

- > Desktop PC Motherboards
- > X86 Servers
- > X86 Single-board Industrial Compute

[Back to Top](#)

### Product Selection Guide

Part Number	Description	Package	Datasheet
W83627HG	W83627F plus H/W Monitor, Pb-free package	QFP 128	<a href="#">PDF</a>
W83627DHG	LPC Interface SuperIO supporting Intel® PECP & SST* interfaces, Legacy I/O, Dual-current mode temp sensing, 3 Temp In, 9 Vin, 5 Fan In, SMARTFAN III, 4 Fan Out, Alert Out, 8 VID I/O, Pb-free	QFP 128	<a href="#">PDF</a>
W83627EHF	LPC Interface SuperIO, Game Port, MIDI Port, IrDA SIR, SPI Flash IF, 3 PWM & DC Fan Ctrl, 3 Temp In, 10 Vin, 5 Fan In, SMARTFAN III	QFP 128	<a href="#">PDF</a>
W83627EHG	LPC Interface SuperIO, Game Port, MIDI Port, IrDA SIR, SPI Flash IF, 3 PWM & DC Fan Ctrl, 3 Temp In, 10 Vin, 5 Fan In, SMARTFAN III, Pb-free package	QFP 128	<a href="#">PDF</a>
W83627THG	LPC Interface I/O plus KBC, Game/MIDI Port, H/W Monitor, ACPI, On Now Functions, DC Fan Ctrl (ver. E only), Pb-free	QFP 128	<a href="#">PDF</a>
W83627UHG	LPC Interface SuperIO supporting Intel® PECP & SST* interfaces, Legacy I/O, 6 UARTs, Dual-current mode temp sensing, 2 Temp In, 7 Vin, 2 Fan In, SMARTFAN III, 2 Fan Out, Pb-free	QFP 128	<a href="#">PDF</a>
W83637HG	Nuvoton SMART@I/O with H/W Monitor, PC/SC IF, Memory Stick™/SD/MMC Card IF, Pb-free	QFP128	<a href="#">Request PDF</a>
W83697F	LPC Interface I/O plus Game/MIDI Port, Fan Control, Flash ROM IF	QFP 128	<a href="#">PDF</a>
W83697HF	LPC Interface I/O plus Game/MIDI Port, H/W Monitor, Flash ROM IF	QFP 128	<a href="#">PDF</a>
W83697HG	LPC Interface I/O plus Game/MIDI Port, H/W Monitor, Flash ROM IF, Pb-free package	QFP 128	<a href="#">PDF</a>
W83697UG	SMART@I/O with 4 UARTs, PC/SC Interface, GP/IO, ISA Flash ROM IF, Pb-free package	QFP128	<a href="#">PDF</a>
W83877ATG	W83877F Compatible plus FIR, CIR, ACPI, Pb-free	QFP 100	<a href="#">PDF</a>
W83877TF	Nuvoton I/O, PnP, 16550A, EPP/ECP, 2.88M FDC, SIR/ASK IR, ACPI	QFP 100	<a href="#">PDF</a>
W83877TG	Nuvoton I/O, PnP, 16550A, EPP/ECP, 2.88M FDC, SIR/ASK IR, ACPI, Pb-free	QFP 100	<a href="#">PDF</a>
W83977AG	W83977F with 3rd UART for IR, Pb-free	QFP 128	<a href="#">PDF</a>
W83977ATG	W83877F plus KBC, GP I/O, Wake-Up, FIR, CIR, Pb-free	QFP 128	<a href="#">PDF</a>
W83977CTF	W83877F plus KBC, GP I/O, Wake-Up, Power Fail Resume, CIR	QFP 128	<a href="#">Request PDF</a>
W83977EG	W83877F plus KBC, GP I/O, Wake-Up, Power Fail Resume, Pb-free	QFP 128	<a href="#">PDF</a>
W83977G	W83877F plus KBC, CIR, RTC, Pb-free	QFP 128	<a href="#">PDF</a>

[Back to Top](#)