

USB MultiSwitch™ Hub

PRODUCT FEATURES

Datasheet

- USB 2.0 Compatible 4-Port Hub with two upstream host port connections
 - Provides electronic reconfiguration and re-assignment of any of its 4 downstream ports to either of two upstream host ports (“on-the-fly”).
 - Allows multiple USB hosts to share peripherals and enables a user to dynamically assign host ownership.
 - Embedded Mode - 8 (predefined, OEM programmable) configurations for port assignment are selectable via three external control signals.
 - Peripheral Mode - Dedicated select pin for every downstream port (total of 4), selectable edge or level triggered in order to support a wide range of possible switch configurations and styles.
 - Each host has a dedicated Single Transaction Translator (Single-TT) for supporting FS/LS devices, or can also operate in Multi-TT mode where each downstream port has a dedicated Transaction Translator.
- Downstream ports can be disabled or defined as non-removable
- Switching hub can be configured as compound device for support of ‘embedded’ USB peripherals
- Multiple LED modes for maximum implementation flexibility
 - USB Mode - 2 Single-color LEDs for each downstream port (total of 8 LEDs).
 - Host Ownership Mode - 8 Single-Color LEDs indicate which upstream host each of the downstream ports are assigned to.
 - Host Ownership & Port Speed Mode - 8 Dual-Color LEDs are used to indicate which upstream host each of the downstream ports are assigned to, while simultaneously indicating downstream port connection speed.
- Enhanced configuration options available through either a Single Serial I²C EEPROM, or SMBus Slave Port
 - VID/PID/DID
 - Port Configuration
 - String Descriptors (each can support a maximum length of 31 characters)
 - Custom Manufacturer String
 - Custom Product String
 - Custom Serial String
 - Assignment of downstream ports to upstream hosts
 - Switching mechanism selection
- Hardware Strapping options allow for configuration without an external EEPROM or SMBus Host
 - Default VID/PID/DID, allows functionality when configuration EEPROM is absent
- Complete USB Specification 2.0 Compatibility
 - Includes USB 2.0 Hi-Speed Transceivers
 - High-Speed (480Mbps/s), Full-Speed (12Mbps/s) and Low-Speed (1.5Mbps/s) compatible
 - Full power management with choice of Individual or Ganged power control
- On-Board 24MHz Crystal Driver Circuit or 24 MHz external clock driver
- Internal PLL for 480MHz USB 2.0 Sampling
- Internal 1.8V Linear Voltage Regulator
- Integrated USB termination and Pull-up/Pull-down resistors
- Internal Short Circuit protection of USB differential signal pins
- 1.8 Volt Low Power Core Operation
- 3.3 Volt I/O with 5V Input Tolerance
- 56-Pin QFN Lead-free RoHS Compliant Package

ORDER NUMBER(S):**USB2524-ABZJ for 56-pin QFN Lead-Free RoHS Compliant Package**

80 ARKAY DRIVE, HAUPPAUGE, NY 11788 (631) 435-6000, FAX (631) 273-3123

Copyright © 2007 SMSC or its subsidiaries. All rights reserved.

Circuit diagrams and other information relating to SMSC products are included as a means of illustrating typical applications. Consequently, complete information sufficient for construction purposes is not necessarily given. Although the information has been checked and is believed to be accurate, no responsibility is assumed for inaccuracies. SMSC reserves the right to make changes to specifications and product descriptions at any time without notice. Contact your local SMSC sales office to obtain the latest specifications before placing your product order. The provision of this information does not convey to the purchaser of the described semiconductor devices any licenses under any patent rights or other intellectual property rights of SMSC or others. All sales are expressly conditional on your agreement to the terms and conditions of the most recently dated version of SMSC's standard Terms of Sale Agreement dated before the date of your order (the "Terms of Sale Agreement"). The product may contain design defects or errors known as anomalies which may cause the product's functions to deviate from published specifications. Anomaly sheets are available upon request. SMSC products are not designed, intended, authorized or warranted for use in any life support or other application where product failure could cause or contribute to personal injury or severe property damage. Any and all such uses without prior written approval of an Officer of SMSC and further testing and/or modification will be fully at the risk of the customer. Copies of this document or other SMSC literature, as well as the Terms of Sale Agreement, may be obtained by visiting SMSC's website at <http://www.smisc.com>. SMSC is a registered trademark of Standard Microsystems Corporation ("SMSC"). Product names and company names are the trademarks of their respective holders.

SMSC DISCLAIMS AND EXCLUDES ANY AND ALL WARRANTIES, INCLUDING WITHOUT LIMITATION ANY AND ALL IMPLIED WARRANTIES OF MERCHANTABILITY, FITNESS FOR A PARTICULAR PURPOSE, TITLE, AND AGAINST INFRINGEMENT AND THE LIKE, AND ANY AND ALL WARRANTIES ARISING FROM ANY COURSE OF DEALING OR USAGE OF TRADE. IN NO EVENT SHALL SMSC BE LIABLE FOR ANY DIRECT, INCIDENTAL, INDIRECT, SPECIAL, PUNITIVE, OR CONSEQUENTIAL DAMAGES; OR FOR LOST DATA, PROFITS, SAVINGS OR REVENUES OF ANY KIND; REGARDLESS OF THE FORM OF ACTION, WHETHER BASED ON CONTRACT; TORT; NEGLIGENCE OF SMSC OR OTHERS; STRICT LIABILITY; BREACH OF WARRANTY; OR OTHERWISE; WHETHER OR NOT ANY REMEDY OF BUYER IS HELD TO HAVE FAILED OF ITS ESSENTIAL PURPOSE, AND WHETHER OR NOT SMSC HAS BEEN ADVISED OF THE POSSIBILITY OF SUCH DAMAGES.

Table of Contents

Chapter 1	General Description	8
1.1	OEM Selectable Features	9
Chapter 2	Pin Layout	10
Chapter 3	Pin Configuration	11
Chapter 4	Switching Hub Pin Descriptions	12
Chapter 5	Switching Hub Block Diagram	17
Chapter 6	Assigning Ports	18
6.1	Port Assign Interface (PRT_ASSIGN[3:0] pins)	18
6.1.1	Embedded Mode:	18
6.1.2	Peripheral Mode: Level Triggered	19
6.1.3	Peripheral Mode: Edge Triggered	19
6.2	SMBus Host Control of Port Assignment	19
Chapter 7	Configuration Options	20
7.1	Switching Hub Configuration Options	20
7.1.1	Power Switching Polarity	20
7.1.2	VBus Detect	20
7.1.3	Port Assignment Configuration:	20
7.1.4	Internal Register Set (Common to EEPROM and SMBus)	20
7.1.4.1	Register 00h: Vendor ID (LSB) (Reset = 0x00)	22
7.1.4.2	Register 01h: Vendor ID (MSB) (Reset = 0x00)	22
7.1.4.3	Register 02h: Product ID (LSB) (Reset = 0x00)	22
7.1.4.4	Register 03h: Product ID (MSB) (Reset = 0x00)	22
7.1.4.5	Register 04h: Device ID (LSB) (Reset = 0x00)	22
7.1.4.6	Register 05h: Device ID (MSB) (Reset = 0x00)	22
7.1.4.7	Register 06h: CONFIG_BYTE_1 (Reset = 0x00)	23
7.1.4.8	Register 07h: Configuration Data Byte 2 (Reset = 0x00)	24
7.1.4.9	Register 08h: Configuration Data Byte 3 (Reset = 0x00)	24
7.1.4.10	Register 09h: Non-Removable Device (Reset = 0x00)	25
7.1.4.11	Register 0Ah: Port Disable For Self Powered Operation (Reset = 0x00)	26
7.1.4.12	Register 0Bh: Port Disable For Bus Powered Operation (Reset = 0x00)	26
7.1.4.13	Register 0Ch: Max Power For Self Powered Operation (Reset = 0x00)	26
7.1.4.14	Register 0Dh: Max Power For Bus Powered Operation (Reset = 0x00)	27
7.1.4.15	Register 0Eh: Hub Controller Max Current For Self Powered Operation (Reset = 0x00)	27
7.1.4.16	Register 0Fh: Hub Controller Max Current For Bus Powered Operation (Reset = 0x00)	27
7.1.4.17	Register 10h: Power-On Time (Reset = 0x00)	27
7.1.4.18	Register 11h: Language ID High (Reset = 0x00)	27
7.1.4.19	Register 12h: Language ID Low (Reset = 0x00)	27
7.1.4.20	Register 13h: Manufacturer String Length (Reset = 0x00)	28
7.1.4.21	Register 14h: Product String Length (Reset = 0x00)	28
7.1.4.22	Register 15h: Serial String Length (Reset = 0x00)	28
7.1.4.23	Register 16h-53h: Manufacturer String (Reset = 0x00)	28
7.1.4.24	Register 54h-91h: Product String (Reset = 0x00)	28
7.1.4.25	Register 92h-CFh: Serial String (Reset = 0x00)	29
7.1.4.26	Register D0h: Port Interface Delay Timer (Reset = 0x00)	29
7.1.4.27	Register D1h: Port Assign Interface Configuration 0A (Reset = 0x00)	29

7.1.4.28	Register D2h: Port Assign Interface Configuration 0B (Reset = 0x00)	30
7.1.4.29	Register D3h: Port Assign Interface Configuration 0C (Reset = 0x00)	30
7.1.4.30	Register D4h: Port Assign Interface Configuration 0D (Reset = 0x00)	30
7.1.4.31	Register D5h: Port Assign Interface Configuration 1A (Reset = 0x00)	30
7.1.4.32	Register D6h: Port Assign Interface Configuration 1B (Reset = 0x00)	31
7.1.4.33	Register D7h: Port Assign Interface Configuration 1C (Reset = 0x00)	31
7.1.4.34	Register D8h: Port Assign Interface Configuration 1D (Reset = 0x00)	31
7.1.4.35	Register D9h: Port Assign Interface Configuration 2A (Reset = 0x00)	31
7.1.4.36	Register DAh: Port Assign Interface Configuration 2B (Reset = 0x00)	32
7.1.4.37	Register DBh: Port Assign Interface Configuration 2C (Reset = 0x00)	32
7.1.4.38	Register DCh: Port Assign Interface Configuration 2D (Reset = 0x00)	32
7.1.4.39	Register DDh: Port Assign Interface Configuration 3A (Reset = 0x00)	32
7.1.4.40	Register DEh: Port Assign Interface Configuration 3B (Reset = 0x00)	33
7.1.4.41	Register DFh: Port Assign Interface Configuration 3C (Reset = 0x00)	33
7.1.4.42	Register E0h: Port Assign Interface Configuration 3D (Reset = 0x00)	33
7.1.4.43	Register E1h: Port Assign Interface Configuration 4A (Reset = 0x00)	33
7.1.4.44	Register E2h: Port Assign Interface Configuration 4B (Reset = 0x00)	34
7.1.4.45	Register E3h: Port Assign Interface Configuration 4C (Reset = 0x00)	34
7.1.4.46	Register E4h: Port Assign Interface Configuration 4D (Reset = 0x00)	34
7.1.4.47	Register E5h: Port Assign Interface Configuration 5A (Reset = 0x00)	34
7.1.4.48	Register E6h: Port Assign Interface Configuration 5B (Reset = 0x00)	35
7.1.4.49	Register E7h: Port Assign Interface Configuration 5C (Reset = 0x00)	35
7.1.4.50	Register E8h: Port Assign Interface Configuration 5D (Reset = 0x00)	35
7.1.4.51	Register E9h: Port Assign Interface Configuration 6A (Reset = 0x00)	35
7.1.4.52	Register EAh: Port Assign Interface Configuration 6B (Reset = 0x00)	36
7.1.4.53	Register EBh: Port Assign Interface Configuration 6C (Reset = 0x00)	36
7.1.4.54	Register ECh: Port Assign Interface Configuration 6D (Reset = 0x00)	36
7.1.4.55	Register EDh: Port Assign Interface Configuration 7A (Reset = 0x00)	36
7.1.4.56	Register EEh: Port Assign Interface Configuration 7B (Reset = 0x00)	37
7.1.4.57	Register EFh: Port Assign Interface Configuration 7C (Reset = 0x00)	37
7.1.4.58	Register F0h: Port Assign Interface Configuration 7D (Reset = 0x00)	37
7.1.4.59	Register F1h: Port Assignment 1 & 2 (Reset = 0x00)	37
7.1.4.60	Register F2h: Port Assignment 3 & 4 (Reset = 0x00)	38
7.1.4.61	Register F3h: Port Assignment 5 & 6 (Reset = 0x00)	38
7.1.4.62	Register F4h: Port Assignment 7 (Reset = 0x00)	38
7.1.4.63	Register F5h: Port Lockout (Reset = 0x00)	38
7.1.4.64	Register FFh: Status/Command (Reset = 0x00)	39
7.2	EEPROM Interface	40
7.2.1	I2C Master	40
7.2.1.1	Implementation Characteristics	40
7.2.1.2	Pull-Up Resistor	40
7.2.1.3	I2C EEPROM Slave Address	40
7.2.2	In-Circuit EEPROM Programming	40
7.3	SMBus Slave Interface	41
7.3.1	Bus Protocols	41
7.3.1.1	Block Read/Write	41
7.3.2	Invalid Protocol Response Behavior	42
7.3.3	General Call Address Response	42
7.3.4	Slave Device Time-Out	42
7.3.5	Stretching the SCLK Signal	42
7.3.6	SMBus Timing	42
7.3.7	Bus Reset Sequence	43
7.3.8	SMBus Alert Response Address	43
7.3.8.1	Undefined Registers	43
7.3.8.2	Reserved Registers	43

Datasheet

7.4	Default Strapping Option	43
7.5	Default Configuration	43
<hr/>		
Chapter 8	LED Interface Description	44
8.1	USB Mode:	44
8.2	Basic Host Owner LED Indication:	44
8.3	Host Ownership and Port Speed LED Indication:	45
<hr/>		
Chapter 9	Reset	47
9.1	Reset	47
9.1.1	External Hardware RESET_N	47
9.1.1.1	RESET_N for Strapping Option Configuration	48
9.1.1.2	RESET_N for EEPROM Configuration	49
9.1.1.3	RESET_N for SMBus Slave Configuration	50
9.1.2	USB Bus Reset	50
<hr/>		
Chapter 10	XNOR Test	52
<hr/>		
Chapter 11	DC Parameters	53
11.1	Maximum Guaranteed Ratings	53
11.1.1	DC Electrical Characteristics	53
<hr/>		
Chapter 12	AC Specifications	56
12.1	Oscillator/Clock	56
12.1.1	SMBus Interface:	56
12.1.2	I2C EEPROM:	56
12.1.3	USB 2.0	56
<hr/>		
Chapter 13	Package Outline	57

List of Figures

Figure 3.1	USB2524 QFN-56	11
Figure 5.1	USB2524 Switching Hub Block Diagram	17
Figure 7.1	SMBus Block Write	41
Figure 7.2	SMBus Block Read	42
Figure 7.3	LED Strapping Option	43
Figure 8.1	Dual Color LED Implementation Example	45
Figure 9.1	Reset_N Timing for Default/Strap Option Mode	48
Figure 9.2	Reset_N Timing for EEPROM Mode	49
Figure 9.3	Reset_N Timing for SMBus Mode	50
Figure 13.1	USB2524 56-Pin QFN Package Outline and Parameters	57

List of Tables

Table 2.1	USB2524 56-Pin QFN Pin Configuration Table	10
Table 4.1	Switching Hub Pin Descriptions	12
Table 4.2	SMBus or EEPROM Interface Behavior	14
Table 4.3	Miscellaneous Pins	15
Table 4.4	Power, Ground, and No Connect.	15
Table 4.5	Buffer Type Descriptions	16
Table 6.1	USB2524 Port Assign Interface (Embedded Mode)	18
Table 7.1	Internal EEPROM & SMBus Register Memory Map	20
Table 9.1	Reset_N Timing for Default/Strap Option Mode	48
Table 9.2	Reset_N Timing for EEPROM Mode	49
Table 9.3	Reset_N Timing for SMBus Mode	50
Table 11.1	DC Electrical Characteristics	53

Chapter 1 General Description

The SMSC 4-Port USB 2.0 Switching Hub Controller acts as two independently controllable USB 2.0 Hubs in a single package with the ability to electronically reassign and reconfigure any of its 4 downstream ports to either of its two upstream USB ports. This allows two USB hosts to share peripherals and to dynamically reconfigure them.

Any configuration of the downstream ports is possible except simultaneous connection to both upstream ports. Up to 8 different configurations can be selected by a dedicated 3-pin interface, or the 4-pin interface can be used to directly assign each port to either of the upstream hosts. An external serial EEPROM (or SMBus Host) is used to store the 8 different configuration parameters. However, 8 predefined configurations, as well as generic VID/PID/DID information, are provided as defaults if no external Serial EEPROM is detected at power up. The SMBus interface can be used to configure the hub as well as dynamically re-assigning downstream ports to upstream hosts. The SMBus interface can be “live” while the hub is operational, and allows an external SMBus host to have full access to re-assign ports on an as-needed basis.

The SMSC 4-Port Switching Hub is fully compliant with the USB 2.0 Specification and will attach to either or both upstream USB hosts as a Full-Speed Hub or as a Full-/High-Speed Hub. The 4 downstream Hub ports support Low-Speed, Full-Speed, and High-Speed (if operating as a High-Speed Hub) downstream devices on all of the enabled downstream ports.

A USB peripheral or USB Hub that is attached to one of the downstream USB2524 ports will be available to one or the other of the upstream USB host controllers, but can never be simultaneously shared with both host controllers. The user can switch a peripheral from one host to the other (on-the-fly), and the peripheral will automatically detach from one host and attach to the other host. Each host will only configure and control the downstream ports that are assigned to it, including full USB power management and suspend/resume operations.

The USB2524 works with an external USB power distribution switch device to control V_{BUS} switching to downstream ports, and to limit current and sense over-current conditions.

All required resistors on the USB ports are integrated into the Hub. This includes all series termination resistors on D+ and D– pins and all required pull-down and pull-up resistors on D+ and D– pins. The over-current sense inputs for the downstream facing ports have internal pull-up resistors.

Throughout this document the upstream facing port of the hub will be referred to as the upstream port, and the downstream facing ports will be called the downstream ports.

For performance reasons, the Hub provides 1 Transaction Translator (TT) per port (defined as Multi-TT configuration), and each TT has 1512 bytes of periodic buffer space and 272 Bytes of non-periodic buffer space (divided into 4 non-periodic buffers per TT), for a total of 1784 bytes of buffer space for each Transaction Translator.

When configured as a Single-TT Hub (required by USB 2.0 Specification), the Single Transaction Translator will have 1512 bytes of periodic buffer space and 272 bytes of non-periodic buffer space (divided into 4 non-periodic buffers per TT), for a total of 1784 bytes of buffer space for the entire Transaction Translator.

1.1 OEM Selectable Features

A default configuration is available in the USB2524 following a reset. This configuration may be sufficient for some applications. Strapping option pins make it possible to modify a limited sub-set of the configuration options.

The USB2524 may also be configured by an external EEPROM or a microcontroller. When using the microcontroller interface, the Hub appears as an SMBus slave device. If the Hub is pin-strapped for external EEPROM configuration but no external EEPROM is present, then a value of '0' will be written to all configuration data bit fields (the hub will attach to the host with all '0' values).

The USB2524 supports several OEM selectable features:

- Optional OEM configuration via I2C EEPROM or via the industry standard SMBus interface from an external SMBus Host or Microcontroller.
- Compound device support (port is permanently hardwired to a downstream USB peripheral device).
- Hardware strapping options enable configuration of the following features (when not configured via an EEPROM or SMBus host).
 - Non-Removable Ports
 - Port Power Polarity (active high or active low logic)
- Selection of Single (STT) or Multi-Transaction Translator (MTT) capability.
- Selection of Over-Current sensing and Port power control on a individual (port-by-port) or ganged (all ports together) to match the OEM's choice of circuit board component selection.
- Selection of end-user method of switching ports between hosts
 - Embedded Mode: 8 default configurations that are controlled by OEM programmable registers (or Internal default settings).
 - Peripheral Mode: Each wire directly controls one of the 4 downstream ports. The interface is selectable between edge triggered operation or level triggered operation for compatibility with many different mechanical switch configurations or direct control from an external Microcontroller's GPIO pins.
- Enablement of String Descriptor Support, along with the capability to customize each of the 3 different string descriptors (up to a maximum size of 31 characters each)
- Selection of LED Mode: USB Mode, Host Ownership Mode, or Host Ownership Mode with Speed Indication.

Chapter 2 Pin Layout

Table 2.1 USB2524 56-Pin QFN Pin Configuration Table

UPSTREAM USB 2.0 INTERFACES (6 PINS)			
USBUP_DP1	USBUP_DM1	USBUP_DP2	USBUP_DM2
VBUS_DET1	VBUS_DET2		
DOWNSTREAM 4-PORT USB 2.0 INTERFACE (30 PINS)			
USBDN_DP1	USBDN_DM1	USBDN_DP2	OCS1_N
USBDN_DP3	USBDN_DM3	USBDN_DM2	OCS2_N
LED_A1_N/NON_REM0	LED_A2_N/NON_REM1	LED_A3_N/PRT_DIS0	OCS3_N
LED_B1_N	LED_B2_N	LED_B3_N	PRT_ASSIGN0
P RTPWR1	P RTPWR2	P RT_ASSIGN1	P RTPWR_POL
P RTPWR3	RBIAS	P RT_ASSIGN2	LED_A4_N/PRT_DIS1
USBDN_DM4	USBDN_DP4	P RTPWR4	P RT_ASSIGN3
LED_B4_N	OCS4_N		
SERIAL PORT INTERFACE (4 PINS)			
SDA/SMBDATA	SCL/SMBCLK/ CFG_SEL0	CFG_SEL1	CFG_SEL2
MISC (5 PINS)			
XTAL1/CLKIN	XTAL2	RESET_N	SELF_PWR
TEST			
ANALOG POWER & GROUND (5 PINS)			
VDDPLL18(1)	VDDA33(4)		
DIGITAL POWER, GROUND & NO CONNECT (6 PINS)			
VDD33(3)	VDDCR18(2)	NC	
TOTAL (56 PINS)			

Chapter 3 Pin Configuration

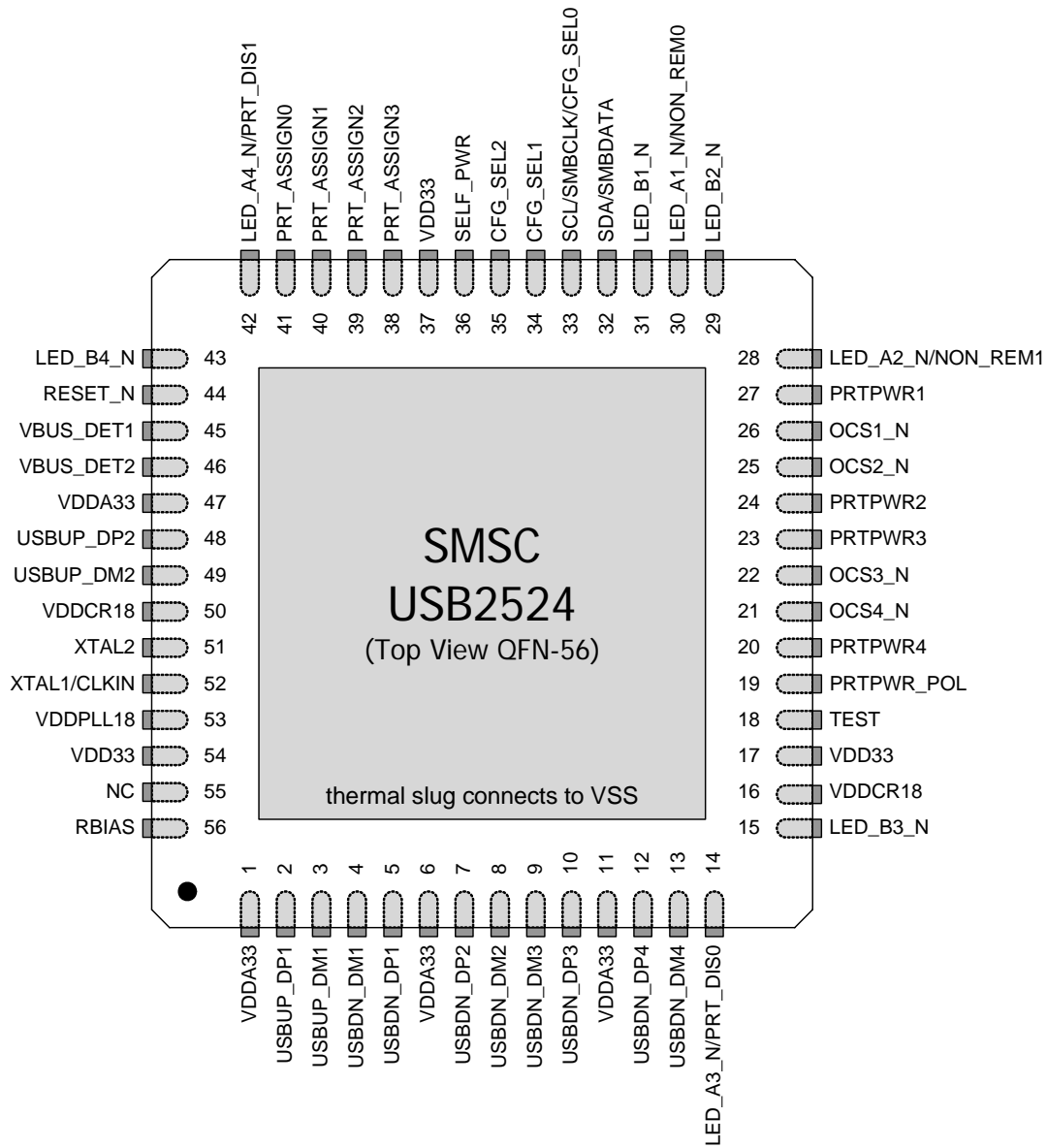


Figure 3.1 USB2524 QFN-56

Chapter 4 Switching Hub Pin Descriptions

Table 4.1 Switching Hub Pin Descriptions

NAME	SYMBOL	TYPE	FUNCTION
UPSTREAM USB 2.0 INTERFACE			
USB Bus Data	USBUP_DP[2:1] USBUP_DM[2:1]	IO-U	These pins connect to the upstream USB bus data signals.
Detect Upstream VBUS Power	VBUS_DET[2:1]	I/O	<p>Detects state of Upstream VBUS power. The SMSC Hub monitors VBUS_DET to determine when to assert the internal D+ pull-up resistor (signalling a connect event).</p> <p>When designing a detachable hub, this pin must be connected to the VBUS power pin of the USB port that is upstream of the hub. (Use of a weak pull-down resistor is recommended.)</p> <p>For self-powered applications with a permanently attached host, this pin must be pulled-up to either 3.3V or 5.0V (typically VDD33).</p>
4-PORT USB 2.0 HUB INTERFACE			
High-Speed USB Data	USBDN_DP[4:1] USBDN_DM[4:1]	IO-U	These pins connect to the downstream USB peripheral devices attached to the Hub's ports.
USB Power Enable	P RTPWR[4:1]	O	<p>Enables power to USB peripheral devices (downstream).</p> <p>The active signal level of the P RTPWR[4] pin is determined by the Power Polarity Strapping function of the P RTPWR_POL pin.</p>
Port 4:3 Green LED & Port Disable strapping option 0	LED_A[4:3]_N/ PRT_DIS[1:0]	I/O12	Green indicator LED for ports 4 and 3. Will be active low when LED support is enabled via EEPROM or SMBus. See PRT_DIS1 function description if the hub is configured by the internal default configuration.
Port Disable strapping option 1	PRT_DIS1	I/O12	<p>If the hub is configured by the internal default configuration, PRT_DIS[1:0] will be sampled at RESET_N negation to determine if ports [4:2] will be permanently disabled. Also, the active state of LED_A3_N will be determined as follows:</p> <p>PRT_DIS[1:0] = '00', All ports are enabled, LED_A4_N is active high, LED_A3_N is active high.</p> <p>PRT_DIS[1:0] = '01', Port 4 is disabled, LED_A4_N is active high, LED_A3_N is active low.</p> <p>PRT_DIS[1:0] = '10', Ports 4 & 3 are disabled, LED_A4_N is active low, LED_A3_N is active high.</p> <p>PRT_DIS[1:0] = '11', Ports 4, 3 & 2 are disabled, LED_A4_N is active low, LED_A3_N is active low.</p>

Table 4.1 Switching Hub Pin Descriptions (continued)

NAME	SYMBOL	TYPE	FUNCTION
Port [2:1] Green LED & Port Non-Removable strapping option	LED_A[2:1]_N/ NON_REM[1:0]	I/O12	<p>Green indicator LED for ports 2 and 1. Will be active low when LED support is enabled via EEPROM or SMBus.</p> <p>If the hub is configured by the internal default configuration, these pins will be sampled at RESET_N negation to determine if ports [3:1] contain permanently attached (non-removable) devices. Also, the active state of the LED's will be determined as follows:</p> <p>NON_REM[1:0] = '00', All ports are removable, LED_A2_N is active high, LED_A1_N is active high.</p> <p>NON_REM[1:0] = '01', Port 1 is non-removable, LED_A2_N is active high, LED_A1_N is active low.</p> <p>NON_REM[1:0] = '10', Ports 1 & 2 are non-removable, LED_A2_N is active low, LED_A1_N is active high.</p> <p>NON_REM[1:0] = '11', Ports 1, 2, & 3 are non-removable, LED_A2_N is active low, LED_A1_N is active low.</p>
Enhanced Port LED Indicators	LED_B[4:1]_N	I/O12	<p>These 4 pins in conjunction with the LED_A[4:1]_N pins provides a total of 8 LED pins which are used to indicate upstream host ownership of the downstream ports.</p> <p>2 operational modes are available</p> <p>Single Color LED Mode: LED will light to show which host owns each of the downstream ports. If a port is "unassigned" then neither LED for that port will light up.</p> <p>Dual Color LED's: (note; 4 possible states are displayed to the user, Green, Red, Orange and Off).</p>
Port Power Polarity strapping	P RTPWR_POL	I/O	<p>Port Power Polarity strapping determination for the active signal polarity of the P RTPWR[4:1] pins.</p> <p>While RESET_N is asserted, the logic state of this pin will (through the use of internal combinatorial logic) determine the active state of the P RTPWR[4:1] pins in order to ensure that downstream port power is not inadvertently enabled to inactive ports during a hardware reset.</p> <p>When RESET_N is negated, the logic value will be latched internally, and will retain the active signal polarity for the P RTPWR[4:1] pins.</p> <p>'1' = P RTPWR[4:1] pins have active 'high' polarity '0' = P RTPWR[4:1] pins have active 'low' polarity</p> <p>Warning: Active Low port power controllers may glitch the downstream port power when system power is first applied. Care should be taken when designing with active low components!</p>
Over Current Sense	OCS[4:1]_N	IPU	<p>Input from external current monitor indicating an over-current condition. {Note: Contains internal pull-up to 3.3V supply}</p>
USB Transceiver Bias	RBIAS	I-R	<p>A 12.0kΩ (+/- 1%) resistor is attached from ground to this pin to set the transceiver's internal bias settings.</p>

Table 4.1 Switching Hub Pin Descriptions (continued)

NAME	SYMBOL	TYPE	FUNCTION
Assign Downstream Ports to Upstream Host Ports	PRT_ASSIGN [3:0]	I	Port Assign Interface: Operates in either Embedded mode, or Peripheral mode. See Chapter 6, Assigning Ports for additional details.
SERIAL PORT INTERFACE			
Serial Data/SMB Data	SDA/SMBDATA	IOSD12	(Serial Data)/(SMB Data) signal.
Serial Clock/SMB Clock & Configuration Programming Select	SCL/SMBCLK/CFG_SEL0	IOSD12	(Serial Clock)/(SMB Clock) signal.
			CFG_SEL0: The logic state of this multifunction pin is internally latched on the rising edge of RESET_N (RESET_N negation), and will determine the hub configuration method as described in Table 4.2 .
Configuration Programming Select	CFG_SEL1	I	The logic state of this pin is internally latched on the rising edge of RESET_N (RESET_N negation), and will determine the hub configuration method as described in Table 4.2 .
Configuration Programming Select	CFG_SEL2	I	The logic state of this pin is internally latched on the rising edge of RESET_N (RESET_N negation), and will determine the hub configuration method as described in Table 4.2 .

Table 4.2 SMBus or EEPROM Interface Behavior

NAME	NAME	NAME	FUNCTION
CFG_SEL2	CFG_SEL1	CFG_SEL0	SMBus or EEPROM interface behavior.
0	0	0	Internal Default Configuration <ul style="list-style-type: none"> ■ PRT_ASSIGN[3:0] = Embedded Mode. ■ Strap options on pins LED_A[4:1]_N are enabled. ■ LED Mode = USB Mode
0	0	1	Configured as an SMBus slave for external download of user-defined descriptors. <ul style="list-style-type: none"> ■ SMBus slave address is :0101100 ■ Strap options on pins LED_A[4:1]_N are disabled ■ LED Mode = See Chapter 8, LED Interface Description
0	1	0	Internal Default Configuration <ul style="list-style-type: none"> ■ PRT_ASSIGN[3:0] = Peripheral Mode (Level Triggered) ■ Strap options on pins LED_A[4:1]_N are enabled. ■ No support for unassigned Ports. ■ LED Mode = USB Mode
0	1	1	2-wire (I2C) EEPROMS are supported, <ul style="list-style-type: none"> ■ LED Mode = See Chapter 8, LED Interface Description

Table 4.2 SMBus or EEPROM Interface Behavior (continued)

NAME	NAME	NAME	FUNCTION
1	0	0	Internal Default Configuration <ul style="list-style-type: none"> ■ PRT_ASSIGN[3:0] = Peripheral Mode (Edge Triggered) ■ LED Mode = Host Ownership Mode ■ Strap ■ options on pins LED_A[4:1]_N are enabled. ■ Supports unassigned Ports
1	0	1	Internal Default Configuration <ul style="list-style-type: none"> ■ PRT_ASSIGN[3:0] = Peripheral Mode (Edge Triggered) ■ LED Mode = Host Ownership & Port Speed Mode ■ Strap options on pins LED_A[4:1]_N are disabled ■ Supports unassigned Ports.
1	1	0	Reserved
1	1	1	Reserved

Table 4.3 Miscellaneous Pins

NAME	SYMBOL	TYPE	FUNCTION
Crystal Input/External Clock Input	XTAL1/CLKIN	ICLKx	24MHz crystal or external clock input. This pin connects to either one terminal of the crystal or to an external 24MHz clock when a crystal is not used. Note: See Table 11.1 for the required logic voltage levels of this pad if it will be driven by an external clock source.
Crystal Output	XTAL2	OCLKx	24MHz Crystal This is the other terminal of the crystal, or left unconnected when an external clock source is used to drive XTAL1/CLKIN. It must not be used to drive any external circuitry other than the crystal circuit.
RESET Input	RESET_N	IS	This active low signal is used by the system to reset the chip. The minimum active low pulse is 1us.
Self-Power / Bus-Power Detect	SELF_PWR	I	Detects availability of local self-power source. Low = Self/local power source is NOT available (i.e., Hub gets all power from Upstream USB VBus). High = Self/local power source is available.
TEST Pin	TEST	IPD	Used for testing the chip. User must treat as a no-connect or connect to ground.

Table 4.4 Power, Ground, and No Connect

NAME	SYMBOL	TYPE	FUNCTION
VDD Core	VDDCR18		+1.8V core power. Pins 16 and 50 must have a 4.7μF (or greater) ±20% (ESR <0.1Ω) capacitor to VSS
VDDIO 3.3V	VDD33		+3.3V Power Supply for the Digital I/O.

Table 4.4 Power, Ground, and No Connect (continued)

NAME	SYMBOL	TYPE	FUNCTION
VDD PLL	VDDPLL18		+1.8V Filtered analog power for internal PLL. This pin must have a 4.7 μ F (or greater) \pm 20% (ESR <0.1 Ω) capacitor to VSS
VDD Analog I/O	VDDA33		+3.3V Filtered analog PHY power, shared between adjacent ports.
VSS	VSS		Ground
NC	NC		No Connect

Table 4.5 Buffer Type Descriptions

BUFFER	DESCRIPTION
I	Input.
IPD	Input, Weak Internal pull-down.
IPU	Input, Weak Internal pull-up.
IS	Input with Schmitt trigger.
IOSD12	Open drain...12mA sink with Schmitt trigger, and must meet I2C-Bus Specification Version 2.1 requirements.
ICLKx	XTAL Clock Input
OCLKx	XTAL Clock Output
I-R	RBIAS
IO-U	Defined in USB Specification. Note: Meets USB 1.1 requirements when operating as a 1.1-compliant device and meets USB 2.0 requirements when operating as a 2.0-compliant device.
AIO	Analog Input/output. Per PHY test requirements.

Chapter 5 Switching Hub Block Diagram

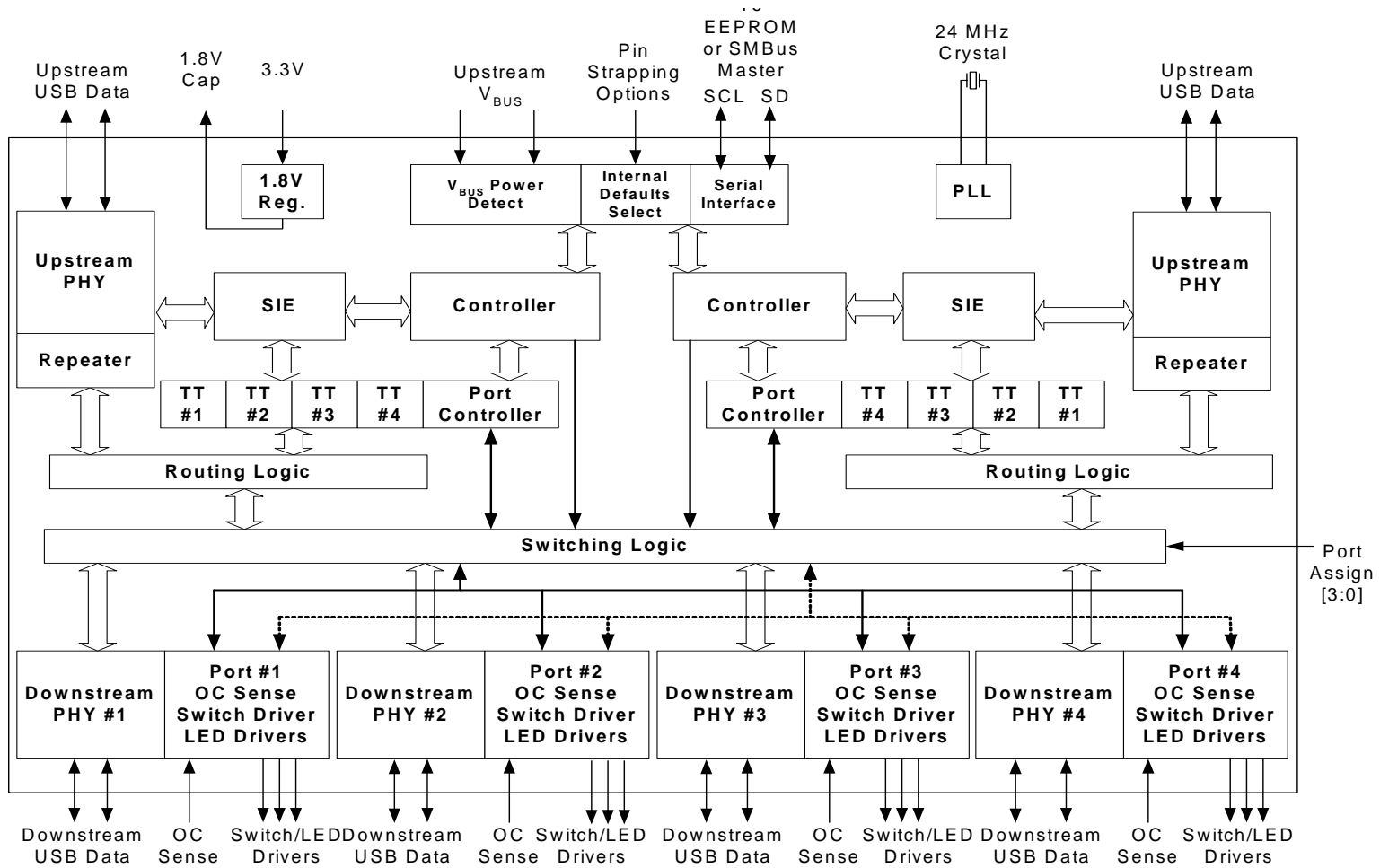


Figure 5.1 USB2524 Switching Hub Block Diagram

Chapter 6 Assigning Ports

There are two different (OEM selectable) methods of assigning downstream ports to upstream hosts. One method is with the PRT_ASSIGN[3:0] interface through the use of mechanical switches or by electrical control of the pins via an external Microcontroller's GPIO interface. The second method is through the SMBus interface, where the SMBus interface is used to control the switching hub during operation and can switch downstream ports via SMBus commands.

6.1 Port Assign Interface (PRT_ASSIGN[3:0] pins)

Assigning ports to either of the upstream host controllers can be accomplished through the 4-wire PRT_ASSIGN interface. The PRT_ASSIGN interface has three operating modes. One is called the Embedded Mode, and the other is Peripheral Mode (with two different electrical "sub" modes; (level triggered or edge triggered).

Note: Any change in PRT_ASSIGN pins will be ignored until the USB2524 is out of reset.

6.1.1 Embedded Mode:

The four-pin interface (PRT_ASSIGN[3:0]) operates with only three of the four available pins (PRT_ASSIGN3 is disabled in this mode), which enables a user to select one of 8 pre-determined port assignment configurations. There are 8 "default" configurations, or an OEM can customize the configurations through an EEPROM or SMBus code load.

Note: There is a switching delay determined by the Register D0h: Port Interface Delay Timer.

The configuration is determined by [Table 6.1, "USB2524 Port Assign Interface \(Embedded Mode\)"](#).

Table 6.1 USB2524 Port Assign Interface (Embedded Mode)

PORT ASSIGN INTERFACE ENCODING					INTERNAL DEFAULT CONFIGURATION HOST OWNERSHIP OF DOWNSTREAM PORTS			
PRT_ASSIGN 3	PRT_ASSIGN 2	PRT_ASSIGN 1	PRT_ASSIGN 0	CONFIG #	PORT 1	PORT 2	PORT 3	PORT 4
X	0	0	0	0	H1	H1	H1	H1
X	0	0	1	1	H2	H2	H2	H2
X	0	1	0	2	H1	H1	H2	H2
X	0	1	1	3	H1	H1	H1	H2
X	1	0	0	4	H2	H2	H2	H1
X	1	0	1	5	H2	H1	H1	H1
X	1	1	0	6	H1	H1	H2	UA
X	1	1	1	7	H1	H1	H1	UA

Note 6.1 H1 = The USB host or hub that is connected to upstream port #1

Note 6.2 H2 = The USB host or hub that is connected to upstream port #2

Note 6.3 UA = Un-Assigned

Note 6.4 X = Don't Care

6.1.2 Peripheral Mode: Level Triggered

In Peripheral Mode (Level Triggered), each pin directly switches a downstream port between the two upstream host ports. Each pin on the PRT_ASSIGN interface is only capable of two electrical states (either logic low or logic high). The interface will control downstream port assignment as follows.

Note: There is a switching delay determined by the Register D0h: Port Interface Delay Timer.

PRT_ASSIGN0 = '0', then Port 1 assigned to host 1
 PRT_ASSIGN0 = '1', then Port 1 assigned to host 2
 PRT_ASSIGN1 = '0', then Port 2 assigned to host 1
 PRT_ASSIGN1 = '1', then Port 2 assigned to host 2
 PRT_ASSIGN2 = '0', then Port 3 assigned to host 1
 PRT_ASSIGN2 = '1', then Port 3 assigned to host 2
 PRT_ASSIGN3 = '0', then Port 4 assigned to host 1
 PRT_ASSIGN3 = '1', then Port 4 assigned to host 2

6.1.3 Peripheral Mode: Edge Triggered

Each pin will respond to a positive edge transition that is part of a positive pulse that has a minimum pulse width of 100ns, and will not respond to another positive edge until after a negative pulse with minimum pulse width (that is determined by the [Register D0h: Port Interface Delay Timer \(Reset = 0x00\) on page 29](#)) has been detected. The combination of a 100ns positive pulse width and a programmable length negative width requirement provides an effective glitch filter mechanism for a variety of mechanical switches.

Each positive edge transition will change the upstream host ownership of downstream ports as follows (1st transition will increment ownership from Host 1 to Host 2, the 2nd transition will increment ownership from Host 2 to Unassigned (or Host 1, if not using the Unassigned state), and the 3rd transition will increment ownership from Unassigned to Host 1 (note: this "3rd" state will not occur if "unassigned" is not used). Each subsequent transition will continue to increment the port ownership and will cycle through in similar fashion.

Note: Power-On default for edge triggered operation is: all ports assigned to Host 1.

6.2 SMBus Host Control of Port Assignment

In this mode, the SMBus interface remains "live" during operation of the switching hub and is used to switch/assign ports "on-the-fly" through SMBus commands. This is accomplished through register direct writes to the Port Assignment registers (see the USB_ATTACH description under [Register FFh: Status/Command \(Reset = 0x00\) on page 39](#)).

Chapter 7 Configuration Options

7.1 Switching Hub Configuration Options

The SMSC Hub supports a large number of features (some are mutually exclusive), and must be configured in order to correctly function when attached to a USB host controller. There are three principal ways to configure the hub: SMBus, EEPROM, or by internal default settings (with or without pin strapping option over-rides). In all cases, the configuration method will be determined by the CFG_SEL2, CFG_SEL1 and CFG_SEL0 pins immediately after RESET_N negation.

7.1.1 Power Switching Polarity

The selection of active state “polarity” for the PRT_PWR pins is made by a strapping option only (the PRT_PWR_POL pin).

7.1.2 VBus Detect

According to Section 7.2.1 of the USB 2.0 Specification, a downstream port can never provide power to its D+ or D- pull-up resistors unless the upstream port’s VBUS is in the asserted (powered) state. The VBUS_DET pin on the Hub monitors the state of the upstream VBUS signal and will not pull-up the D+ resistor if VBUS is not active. If VBUS goes from an active to an inactive state (Not Powered), Hub will remove power from the D+ pull-up resistor within 10 seconds.

7.1.3 Port Assignment Configuration:

The order of precedence for control of ownership of each port is as follows:

1. CFG_SEL0 and CFG_SEL1.
2. PRT_ASSIGN_CFG register
3. PRT_ASSIGN_MODE register
4. PRT_LCK register
5. The applicable PORT_ASSIGN_INTxx or PORT_ASSIGN_xx register (based on the settings above).

Note: The PRT_LCK register will primarily be used when in SMBus mode, but is available for use in EEPROM Configuration. When the EEPROM port assignment values are loaded, the PRT_LCK will be temporarily suspended, then after the configuration is loaded, the PRT_LCK function will be enabled.

7.1.4 Internal Register Set (Common to EEPROM and SMBus)

Table 7.1 Internal EEPROM & SMBus Register Memory Map

REG ADDR	R/W	REGISTER NAME	ABBR	DEFAULT ROM
00h	R/W	VID LSB	VIDL	24h
01h	R/W	VID MSB	VIDM	04h
02h	R/W	PID LSB	PIDL	24h
03h	R/W	PID MSB	PIDM	25h
04h	R/W	DID LSB	DIDL	00h
05h	R/W	DID MSB	DIDM	00h
06h	R/W	Config Data Byte 1	CFG1	9Bh
07h	R/W	Config Data Byte 2	CFG2	10h
08h	R/W	Config Data Byte 3	CFG3	00h
09h	R/W	Non-Removable Devices	NRD	00h

Table 7.1 Internal EEPROM & SMBus Register Memory Map (continued)

REG ADDR	R/W	REGISTER NAME	ABBR	DEFAULT ROM
0Ah	R/W	Port Disable (Self)	PDS	00h
0Bh	R/W	Port Disable (Bus)	PDB	00h
0Ch	R/W	Max Power (Self)	MAXPS	01h
0Dh	R/W	Max Power (Bus)	MAXPB	64h
0Eh	R/W	Hub Controller Max Current (Self)	HCMCS	01h
0Fh	R/W	Hub Controller Max Current (bus)	HMCB	64h
10h	R/W	Power-on Time	PWRT	32h
11h	R/W	LANG_ID_H	LANGIDH	00h
12h	R/W	LANG_ID_L	LANGIDL	00h
13h	R/W	MFR_STR_LEN	MFRSL	00h
14h	R/W	PRD_STR_LEN	PRDSL	00h
15h	R/W	SER_STR_LEN	SERSL	00h
16h-53h	R/W	MFR_STR	MANSTR	00h
54h-91h	R/W	PROD_STR	PRDSTR	00h
92h-CFh	R/W	SER_STR	SERSTR	00h
D0h	R/W	PRT_DLY_TIME	PRTDT	2Fh
D1h	R/W	Port Assign Int0A	PRTIF0A	11h
D2h	R/W	Port Assign Int0B	PRTIF0B	11h
D3h	R/W	Port Assign Int0C	PRTIF0C	00h
D4h	R/W	Port Assign Int0D	PRTIF0D	00h
D5h	R/W	Port Assign Int1A	PRTIF1A	22h
D6h	R/W	Port Assign Int1B	PRTIF1B	22h
D7h	R/W	Port Assign Int1C	PRTIF1C	00h
D8h	R/W	Port Assign Int1D	PRTIF1D	00h
D9h	R/W	Port Assign Int2A	PRTIF2A	11h
DAh	R/W	Port Assign Int2B	PRTIF2B	22h
DBh	R/W	Port Assign Int2C	PRTIF2C	00h
DCh	R/W	Port Assign Int2D	PRTIF2D	00h
DDh	R/W	Port Assign Int3A	PRTIF3A	11h
DEh	R/W	Port Assign Int3B	PRTIF3B	21h
DFh	R/W	Port Assign Int3C	PRTIF3C	00h
E0h	R/W	Port Assign Int3D	PRTIF3D	00h
E1h	R/W	Port Assign Int4A	PRTIF4A	22h
E2h	R/W	Port Assign Int4B	PRTIF4B	12h
E3h	R/W	Port Assign Int4C	PRTIF4C	00h
E4h	R/W	Port Assign Int4D	PRTIF4D	00h
E5h	R/W	Port Assign Int5A	PRTIF5A	12h
E6h	R/W	Port Assign Int5B	PRTIF5B	11h
E7h	R/W	Port Assign Int5C	PRTIF5C	00h
E8h	R/W	Port Assign Int5D	PRTIF5D	00h
E9h	R/W	Port Assign Int6A	PRTIF6A	11h
EAh	R/W	Port Assign Int6B	PRTIF6B	02h
EBh	R/W	Port Assign Int6C	PRTIF6C	00h
ECh	R/W	Port Assign Int6D	PRTIF6D	00h
EDh	R/W	Port Assign Int7A	PRTIF7A	11h
EEh	R/W	Port Assign Int7B	PRTIF7B	01h
EFh	R/W	Port Assign Int7C	PRTIF7C	00h
F0h	R/W	Port Assign Int7D	PRTIF7D	00h
F1h	R/W	Port Assign 12	PRTA12	00h
F2h	R/W	Port Assign 34	PRTA34	00h
F3h	R/W	Port Assign 56	PRTA56	00h
F4h	R/W	Port Assign 7	PRTA7	00h
F5h	R/W	Port Lockout	PRT_LK	00h
F6h-FEh	R/W	Reserved	N/A	00h
FFh	R/W	Status/Command Note: SMBus register only!	STCD	00h

7.1.4.1 Register 00h: Vendor ID (LSB) (Reset = 0x00)

BIT NUMBER	BIT NAME	DESCRIPTION
7:0	VID_LSB	Least Significant Byte of the Vendor ID. This is a 16-bit value that uniquely identifies the Vendor of the user device (assigned by USB-Interface Forum). This field is set by the OEM using either the SMBus or EEPROM interface options.

7.1.4.2 Register 01h: Vendor ID (MSB) (Reset = 0x00)

BIT NUMBER	BIT NAME	DESCRIPTION
7:0	VID_MSB	Most Significant Byte of the Vendor ID. This is a 16-bit value that uniquely identifies the Vendor of the user device (assigned by USB-Interface Forum). This field is set by the OEM using either the SMBus or EEPROM interface options.

7.1.4.3 Register 02h: Product ID (LSB) (Reset = 0x00)

BIT NUMBER	BIT NAME	DESCRIPTION
7:0	PID_LSB	Least Significant Byte of the Product ID. This is a 16-bit value that the Vendor can assign that uniquely identifies this particular product (assigned by OEM). This field is set by the OEM using either the SMBus or EEPROM interface options.

7.1.4.4 Register 03h: Product ID (MSB) (Reset = 0x00)

BIT NUMBER	BIT NAME	DESCRIPTION
7:0	PID_MSB	Most Significant Byte of the Product ID. This is a 16-bit value that the Vendor can assign that uniquely identifies this particular product (assigned by OEM). This field is set by the OEM using either the SMBus or EEPROM interface options.

7.1.4.5 Register 04h: Device ID (LSB) (Reset = 0x00)

BIT NUMBER	BIT NAME	DESCRIPTION
7:0	DID_LSB	Least Significant Byte of the Device ID. This is a 16-bit device release number in BCD format (assigned by OEM). This field is set by the OEM using either the SMBus or EEPROM interface options.

7.1.4.6 Register 05h: Device ID (MSB) (Reset = 0x00)

BIT NUMBER	BIT NAME	DESCRIPTION
7:0	DID_MSB	Most Significant Byte of the Device ID. This is a 16-bit device release number in BCD format (assigned by OEM). This field is set by the OEM using either the SMBus or EEPROM interface options.

Datasheet

7.1.4.7 Register 06h: CONFIG_BYTE_1 (Reset = 0x00)

BIT NUMBER	BIT NAME	DESCRIPTION
7	SELF_BUS_PWR	<p>Self or Bus Power: Selects between Self- and Bus-Powered operation.</p> <p>The Hub is either Self-Powered (draws less than 2mA of upstream bus power) or Bus-Powered (limited to a 100mA maximum of upstream power prior to being configured by the host controller). When configured as a Bus-Powered device, the SMSC Hub consumes less than 100mA of current prior to being configured. After configuration, the Bus-Powered SMSC Hub (along with all associated hub circuitry, any embedded devices if part of a compound device, and 100mA per externally available downstream port) must consume no more than 500mA of upstream VBUS current. The current consumption is system dependent, and the OEM must ensure that the USB 2.0 specifications are not violated. When configured as a Self-Powered device, <1mA of upstream VBUS current is consumed and all ports are available, with each port being capable of sourcing 500mA of current. This field is set by the OEM using either the SMBus or EEPROM interface options. Please see the description under Dynamic Power for the self/bus power functionality when dynamic power switching is enabled.</p> <p>0 = Bus-Powered operation. 1 = Self-Powered operation.</p> <p>Note: If Dynamic Power Switching is enabled, this bit is ignored and the SELF_PWR pin is used to determine if the hub is operating from self or bus power.</p>
6	Reserved	Reserved, always = '0'.
5	HS_DISABLE	<p>High Speed Disable: Disables the capability to attach as either a High/Full-speed device, and forces attachment as Full-speed only i.e. (no High-Speed support).</p> <p>0 = High-/Full-Speed. 1 = Full-Speed-Only (High-Speed disabled!)</p>
4	MTT_ENABLE	<p>Multi-TT enable: Enables one transaction translator per port operation.</p> <p>Selects between a mode where only one transaction translator is available for all ports (Single-TT), or each port gets a dedicated transaction translator (Multi-TT) {Note: The host may force Single-TT mode only}. When using the internal default option, the MTT_EN pin enables/disables MTT support.</p> <p>0 = single TT for all ports. 1 = one TT per port (multiple TT's supported)</p>
3	EOP_DISABLE	<p>EOP Disable: Disables EOP generation of EOF1 when in Full-Speed mode. During FS operation only, this permits the Hub to send EOP if no downstream traffic is detected at EOF1. See Section 11.3.1 of the USB 2.0 Specification for additional details. Note: generation of an EOP at the EOF1 point may prevent a Host controller (operating in FS mode) from placing the USB bus in suspend.</p> <p>0 = An EOP is generated at the EOF1 point if no traffic is detected. 1 = EOP generation at EOF1 is disabled (note: this is normal USB operation).</p>
2:1	CURRENT_SNS	<p>Over Current Sense: Selects current sensing on a port-by-port basis, all ports ganged, or none (only for bus-powered hubs) The ability to support current sensing on a port or ganged basis is hardware implementation dependent.</p> <p>00 = Ganged sensing (all ports together). 01 = Individual port-by-port. 1x = Over current sensing not supported. (must only be used with Bus-Powered configurations!)</p>
0	PORT_PWR	<p>Port Power Switching: Enables power switching on all ports simultaneously (ganged), or port power is individually switched on and off on a port- by-port basis (individual). The ability to support power enabling on a port or ganged basis is hardware implementation dependent.</p> <p>0 = Ganged switching (all ports together) 1 = Individual port-by-port switching.</p>

7.1.4.8 Register 07h: Configuration Data Byte 2 (Reset = 0x00)

BIT NUMBER	BIT NAME	DESCRIPTION
7	DYNAMIC	<p>Dynamic Power Enable: Controls the ability of the Hub to automatically change from Self-Powered operation to Bus- Powered operation if the local power source is removed or is unavailable (and from Bus-Powered to Self-Powered if the local power source is restored). {Note: If the local power source is available, the Hub will always switch to Self-Powered operation.}</p> <p>When Dynamic Power switching is enabled, the Hub detects the availability of a local power source by monitoring the external SELF_PWR pin. If the Hub detects a change in power source availability, the Hub immediately disconnects and removes power from all downstream devices and disconnects the upstream port. The Hub will then re-attach to the upstream port as either a Bus-Powered Hub (if local-power is unavailable) or a Self-Powered Hub (if local power is available).</p> <p>0 = No Dynamic auto-switching. 1 = Dynamic Auto-switching capable.</p>
6	Reserved	Reserved, always = '0'.
5:4	OC_TIMER	<p>OverCurrent Timer: Over Current Timer delay.</p> <p>00 = 0.1ms 01 = 2ms 10 = 4ms 11 = 6ms</p>
3	COMPOUND	<p>Compound Device: Allows the OEM to indicate that the Hub is part of a compound (see the USB Specification for definition) device. The applicable port(s) must also be defined as having a "Non-Removable Device".</p> <p>Note: When configured via strapping options, declaring a port as non-removable automatically causes the hub controller to report that it is part of a compound device.</p> <p>0 = No. 1 = Yes, Hub is part of a compound device.</p>
2:1	Reserved	Reserved, always = '0'.
0	BOOST_IOUT	<p>Upstream USB electrical signaling drive strength Boost Bit.</p> <p>Note: This is used for long-trace length designs where additional electrical signal boost may be required to support standard USB signal levels at the far end of a cable.</p> <p>'0' = Normal electrical drive strength. '1' = Elevated electrical drive strength.</p>

7.1.4.9 Register 08h: Configuration Data Byte 3 (Reset = 0x00)

BIT NUMBER	BIT NAME	DESCRIPTION
7:6	PRT_ASSIGN_MODE	<p>Port Assignment Interface Mode:</p> <p>'00' = Port Assign Interface is configured for Programmable Mode (8 configurations) (3-wire)</p> <p>'01' = Port Assign Interface is configured for Direct Port Control. (4-Wire), Level Sensitive.</p> <p>'10' = Port Assign Interface is configured for Direct Port Control. (4-Wire), edge Sensitive, and Unassigned state is not supported.</p> <p>'11' = Port Assign Interface is configured for Direct Port Control. (4-Wire), edge Sensitive, and the Unassigned state is supported.</p>

Datasheet

BIT NUMBER	BIT NAME	DESCRIPTION
5	PRT_ASSIGN_CFG	Port Assignment Configuration: '0' = Port assignment is controlled by hardware interface pins '1' = Port assignment is controlled by: PORT_ASSIGN_12 PORT_ASSIGN_34 PORT_ASSIGN_56 PORT_ASSIGN_7
4:3	Reserved	Reserved, always = '0'.
2:1	LED_MODE	LED Mode Selection: The LED_A[4:1]_N and LED_B[4:1]_N pins support several different modes of operation (depending upon OEM implementation of the LED circuit). '00' = USB Mode, (see USB Mode: on page 44 for description) '01' = Host Ownership and Port Speed LED indicator, (see Host Ownership and Port Speed LED Indication: on page 45 for description) '10' = Basic Host Ownership LED indicator, (see Basic Host Owner LED Indication: on page 44 for description) '11' = Same as "00", USB Mode Warning: Do not enable an LED mode that requires LED pins that are not available in the specific package being used in the implementation!
0	STRING_EN	Enables String Descriptor Support '0' = String Support Disabled '1' = String Support Enabled

7.1.4.10 Register 09h: Non-Removable Device (Reset = 0x00)

BIT NUMBER	BIT NAME	DESCRIPTION
7:0	NR_DEVICE	Non-Removable Device: Indicates which port(s) include non-removable devices. '0' = port is removable, '1' = port is non-removable. Informs the Host if one of the active ports has a permanent device that is undetachable from the Hub. (Note: The device must provide its own descriptor data.) When using the internal default option, the NON_REM[1:0] pins will designate the appropriate ports as being non-removable. Bit 7= Reserved, always = '0'. Bit 6= Reserved, always = '0'. Bit 5= Reserved, always = '0'. Bit 4= 1; Port 4 is disabled. Bit 3= 1; Port 3 non-removable. Bit 2= 1; Port 2 non-removable. Bit 1= 1; Port 1 non-removable. Bit 0 is Reserved, always = '0'.

7.1.4.11 Register 0Ah: Port Disable For Self Powered Operation (Reset = 0x00)

BIT NUMBER	BIT NAME	DESCRIPTION
7:0	PORT_DIS_SP	<p>Port Disable Self-Powered: Disables 1 or more contiguous ports. '0' = port is available, '1' = port is disabled.</p> <p>During Self-Powered operation, this selects the ports which will be permanently disabled, and are not available to be enabled or enumerated by a Host Controller. The disabled ports must be contiguous, and must be in decreasing order starting with port 4.</p> <p>When using the internal default option, the PRT_DIS[1:0] pins will disable the appropriate ports.</p> <p>Bit 7= Reserved, always = '0'. Bit 6= Reserved, always = '0'. Bit 5= Reserved, always = '0'. Bit 4= 1; Port 4 is disabled. Bit 3= 1; Port 3 is disabled. Bit 2= 1; Port 2 is disabled. Bit 1= 1; Port 1 is disabled. Bit 0 is Reserved, always = '0'</p>

7.1.4.12 Register 0Bh: Port Disable For Bus Powered Operation (Reset = 0x00)

BIT NUMBER	BIT NAME	DESCRIPTION
7:0	PORT_DIS_BP	<p>Port Disable Bus-Powered: Disables 1 or more contiguous ports. '0' = port is available, '1' = port is disabled.</p> <p>During Bus-Powered operation, this selects the ports which will be permanently disabled, and are not available to be enabled or enumerated by a Host Controller. The disabled ports must be contiguous, and must be in decreasing order starting with port 4.</p> <p>When using the internal default option, the PRT_DIS[1:0] pins will disable the appropriate ports.</p> <p>Bit 7= Reserved, always = '0'. Bit 6= Reserved, always = '0'. Bit 5= Reserved, always = '0'. Bit 4= 1; Port 4 is disabled. Bit 3= 1; Port 3 is disabled. Bit 2= 1; Port 2 is disabled. Bit 1= 1; Port 1 is disabled. Bit 0 is Reserved, always = '0'</p>

7.1.4.13 Register 0Ch: Max Power For Self Powered Operation (Reset = 0x00)

BIT NUMBER	BIT NAME	DESCRIPTION
7:0	MAX_PWR_SP	<p>Max Power Self_Powered: Value in 2mA increments that the Hub consumes from an upstream port (VBUS) when operating as a self-powered hub. This value includes the hub silicon along with the combined power consumption (from VBUS) of all associated circuitry on the board. This value also includes the power consumption of a permanently attached peripheral if the hub is configured as a compound device, and the embedded peripheral reports 0mA in its descriptors.</p> <p>Note: The USB 2.0 Specification does not permit this value to exceed 100mA</p>

Datasheet

7.1.4.14 Register 0Dh: Max Power For Bus Powered Operation (Reset = 0x00)

BIT NUMBER	BIT NAME	DESCRIPTION
7:0	MAX_PWR_BP	Max Power Bus_Powered: Value in 2mA increments that the Hub consumes from an upstream port (VBUS) when operating as a bus-powered hub. This value includes the hub silicon along with the combined power consumption (from VBUS) of all associated circuitry on the board. This value also includes the power consumption of a permanently attached peripheral if the hub is configured as a compound device, and the embedded peripheral reports 0mA in its descriptors.

7.1.4.15 Register 0Eh: Hub Controller Max Current For Self Powered Operation (Reset = 0x00)

BIT NUMBER	BIT NAME	DESCRIPTION
7:0	HC_MAX_C_SP	Hub Controller Max Current Self-Powered: Value in 2mA increments that the Hub consumes from an upstream port (VBUS) when operating as a self-powered hub. This value includes the hub silicon along with the combined power consumption (from VBUS) of all associated circuitry on the board. This value does NOT include the power consumption of a permanently attached peripheral if the hub is configured as a compound device. Note: The USB 2.0 Specification does not permit this value to exceed 100mA

7.1.4.16 Register 0Fh: Hub Controller Max Current For Bus Powered Operation (Reset = 0x00)

BIT NUMBER	BIT NAME	DESCRIPTION
7:0	HC_MAX_C_BP	Hub Controller Max Current Bus-Powered: Value in 2mA increments that the Hub consumes from an upstream port (VBUS) when operating as a bus-powered hub. This value will include the hub silicon along with the combined power consumption (from VBUS) of all associated circuitry on the board. This value will NOT include the power consumption of a permanently attached peripheral if the hub is configured as a compound device.

7.1.4.17 Register 10h: Power-On Time (Reset = 0x00)

BIT NUMBER	BIT NAME	DESCRIPTION
7:0	POWER_ON_TIME	Power On Time: The length of time that it takes (in 2 ms intervals) from the time the host initiated power-on sequence begins on a port until power is good on that port. System software uses this value to determine how long to wait before accessing a powered-on port.

7.1.4.18 Register 11h: Language ID High (Reset = 0x00)

BIT NUMBER	BIT NAME	DESCRIPTION
7:0	LANG_ID_H	USB LANGUAGE ID (Upper 8 bits of a 16 bit ID field)

7.1.4.19 Register 12h: Language ID Low (Reset = 0x00)

BIT NUMBER	BIT NAME	DESCRIPTION
7:0	LANG_ID_L	USB LANGUAGE ID (lower 8 bits of a 16 bit ID field)

7.1.4.20 Register 13h: Manufacturer String Length (Reset = 0x00)

BIT NUMBER	BIT NAME	DESCRIPTION
7:0	MFR_STR_LEN	Manufacturer String Length Maximum string length is 31 characters.

7.1.4.21 Register 14h: Product String Length (Reset = 0x00)

BIT NUMBER	BIT NAME	DESCRIPTION
7:0	PRD_STR_LEN	Product String Length Maximum string length is 31 characters

7.1.4.22 Register 15h: Serial String Length (Reset = 0x00)

BIT NUMBER	BIT NAME	DESCRIPTION
7:0	SER_STR_LEN	Serial String Length Maximum string length is 31 characters

7.1.4.23 Register 16h-53h: Manufacturer String (Reset = 0x00)

BIT NUMBER	BIT NAME	DESCRIPTION
7:0	MFR_STR	Manufacturer String, UNICODE UTF-16LE per USB 2.0 Specification Maximum string length is 31 characters (62 Bytes) Note: The String consists of individual 16 Bit UNICODE UTF-16LE characters. The Characters will be stored starting with the LSB at the least significant address and the MSB at the next 8-bit location (subsequent characters must be stored in sequential contiguous address in the same LSB, MSB manner). Some EEPROM programmers may transpose the MSB and LSB, thus reversing the Byte order. Please pay careful attention to the Byte ordering or your selected programming tools.

7.1.4.24 Register 54h-91h: Product String (Reset = 0x00)

BIT NUMBER	BIT NAME	DESCRIPTION
7:0	PRD_STR	Product String, UNICODE UTF-16LE per USB 2.0 Specification Maximum string length is 31 characters (62 Bytes) Note: The String consists of individual 16 Bit UNICODE UTF-16LE characters. The Characters will be stored starting with the LSB at the least significant address and the MSB at the next 8-bit location (subsequent characters must be stored in sequential contiguous address in the same LSB, MSB manner). Some EEPROM programmers may transpose the MSB and LSB, thus reversing the Byte order. Please pay careful attention to the Byte ordering or your selected programming tools.

Datasheet

7.1.4.25 Register 92h-CFh: Serial String (Reset = 0x00)

BIT NUMBER	BIT NAME	DESCRIPTION
7:0	SER_STR	<p>Serial String, UNICODE UTF-16LE per USB 2.0 Specification</p> <p>Maximum string length is 31 characters (62 Bytes)</p> <p>Note: The String consists of individual 16 Bit UNICODE UTF-16LE characters. The Characters will be stored starting with the LSB at the least significant address and the MSB at the next 8-bit location (subsequent characters must be stored in sequential contiguous address in the same LSB, MSB manner). Some EEPROM programmers may transpose the MSB and LSB, thus reversing the Byte order. Please pay careful attention to the Byte ordering or your selected programming tools.</p>

7.1.4.26 Register D0h: Port Interface Delay Timer (Reset = 0x00)

BIT NUMBER	BIT NAME	DESCRIPTION
7:0	PRTDT	<p>Port Delay Timer: A 0-255 bit value that represents a delay of 0-255ms from the time a state change is detected on the PRT_ASSIGN[3:0] pins until the internal logic begins the port switching process for the affected port (or ports) to a different upstream host.</p> <p>Note: This register effectively creates a programmable debounce circuit for mechanical switches that may be connected to the PRT_ASSIGN[3:0] interface pins.</p>

7.1.4.27 Register D1h: Port Assign Interface Configuration 0A (Reset = 0x00)

BIT NUMBER	BIT NAME	DESCRIPTION																
7:0	PORT_INT_0A	<p>Port Assign Interface 0A: Determines the configuration of the hardware interface configuration for the assignment of ports 1 & 2 to upstream hosts.</p> <table border="1"> <tbody> <tr> <td>Bit [7:4] = '0000'</td> <td>Port 2 is unassigned</td> </tr> <tr> <td>'0001'</td> <td>Port 2 owned by UP1</td> </tr> <tr> <td>'0010'</td> <td>Port 2 owned by UP2</td> </tr> <tr> <td>'0011' to '1111'</td> <td>Reserved, will default to '0001' value</td> </tr> <tr> <td>Bit [3:0] = '0000'</td> <td>Port 1 is unassigned</td> </tr> <tr> <td>'0001'</td> <td>Port 1 owned by UP1</td> </tr> <tr> <td>'0010'</td> <td>Port 1 owned by UP2</td> </tr> <tr> <td>'0011' to '1111'</td> <td>Reserved, will default to '0001' value</td> </tr> </tbody> </table>	Bit [7:4] = '0000'	Port 2 is unassigned	'0001'	Port 2 owned by UP1	'0010'	Port 2 owned by UP2	'0011' to '1111'	Reserved, will default to '0001' value	Bit [3:0] = '0000'	Port 1 is unassigned	'0001'	Port 1 owned by UP1	'0010'	Port 1 owned by UP2	'0011' to '1111'	Reserved, will default to '0001' value
Bit [7:4] = '0000'	Port 2 is unassigned																	
'0001'	Port 2 owned by UP1																	
'0010'	Port 2 owned by UP2																	
'0011' to '1111'	Reserved, will default to '0001' value																	
Bit [3:0] = '0000'	Port 1 is unassigned																	
'0001'	Port 1 owned by UP1																	
'0010'	Port 1 owned by UP2																	
'0011' to '1111'	Reserved, will default to '0001' value																	

7.1.4.28 Register D2h: Port Assign Interface Configuration 0B (Reset = 0x00)

BIT NUMBER	BIT NAME	DESCRIPTION
7:0	PORT_INT_0B	Port Assign Interface 0B: Determines the configuration of the hardware interface configuration for the assignment of ports 3 & 4 to upstream hosts.
		Bit [7:4] = '0000' Port 4 is unassigned
		'0001' Port 4 owned by UP1
		'0010' Port 4 owned by UP2
		'0011' to '1111' Reserved, will default to '0001' value
		Bit [3:0] = '0000' Port 3 is unassigned
		'0001' Port 3 owned by UP1
		'0010' Port 3 owned by UP2
		'0011' to '1111' Reserved, will default to '0001' value

7.1.4.29 Register D3h: Port Assign Interface Configuration 0C (Reset = 0x00)

BIT NUMBER	BIT NAME	DESCRIPTION
7:0	PORT_INT_0C	Reserved, always = '0'.

7.1.4.30 Register D4h: Port Assign Interface Configuration 0D (Reset = 0x00)

BIT NUMBER	BIT NAME	DESCRIPTION
7:0	PORT_INT_0D	Reserved, always = '0'.

7.1.4.31 Register D5h: Port Assign Interface Configuration 1A (Reset = 0x00)

BIT NUMBER	BIT NAME	DESCRIPTION
7:0	PORT_INT_1A	Port Assign Interface 1A: Determines the configuration of the hardware interface configuration for the assignment of ports 1 & 2 to upstream hosts.
		Bit [7:4] = '0000' Port 2 is unassigned
		'0001' Port 2 owned by UP1
		'0010' Port 2 owned by UP2
		'0011' to '1111' Reserved, will default to '0001' value
		Bit [3:0] = '0000' Port 1 is unassigned
		'0001' Port 1 owned by UP1
		'0010' Port 1 owned by UP2
		'0011' to '1111' Reserved, will default to '0001' value

Datasheet

7.1.4.32 Register D6h: Port Assign Interface Configuration 1B (Reset = 0x00)

BIT NUMBER	BIT NAME	DESCRIPTION
7:0	PORT_INT_1B	Port Assign Interface 1B: Determines the configuration of the hardware interface configuration for the assignment of ports 3 & 4 to upstream hosts.
		Bit [7:4] = '0000' Port 4 is unassigned
		'0001' Port 4 owned by UP1
		'0010' Port 4 owned by UP2
		'0011' to '1111' Reserved, will default to '0001' value
		Bit [3:0] = '0000' Port 3 is unassigned
		'0001' Port 3 owned by UP1
		'0010' Port 3 owned by UP2
		'0011' to '1111' Reserved, will default to '0001' value

7.1.4.33 Register D7h: Port Assign Interface Configuration 1C (Reset = 0x00)

BIT NUMBER	BIT NAME	DESCRIPTION
7:0	PORT_INT_1C	Reserved, always = '0'.

7.1.4.34 Register D8h: Port Assign Interface Configuration 1D (Reset = 0x00)

BIT NUMBER	BIT NAME	DESCRIPTION
7:0	PORT_INT_1D	Reserved, always = '0'.

7.1.4.35 Register D9h: Port Assign Interface Configuration 2A (Reset = 0x00)

BIT NUMBER	BIT NAME	DESCRIPTION
7:0	PORT_INT_2A	Port Assign Interface 2A: Determines the configuration of the hardware interface configuration for the assignment of ports 1 & 2 to upstream hosts.
		Bit [7:4] = '0000' Port 2 is unassigned
		'0001' Port 2 owned by UP1
		'0010' Port 2 owned by UP2
		'0011' to '1111' Reserved, will default to '0001' value
		Bit [3:0] = '0000' Port 1 is unassigned
		'0001' Port 1 owned by UP1
		'0010' Port 1 owned by UP2
		'0011' to '1111' Reserved, will default to '0001' value

7.1.4.36 Register DAh: Port Assign Interface Configuration 2B (Reset = 0x00)

BIT NUMBER	BIT NAME	DESCRIPTION
7:0	PORT_INT_2B	Port Assign Interface 2B: Determines the configuration of the hardware interface configuration for the assignment of ports 3 & 4 to upstream hosts.
		Bit [7:4] = '0000' Port 4 is unassigned
		'0001' Port 4 owned by UP1
		'0010' Port 4 owned by UP2
		'0011' to '1111' Reserved, will default to '0001' value
		Bit [3:0] = '0000' Port 3 is unassigned
		'0001' Port 3 owned by UP1
		'0010' Port 3 owned by UP2
		'0011' to '1111' Reserved, will default to '0001' value

7.1.4.37 Register DBh: Port Assign Interface Configuration 2C (Reset = 0x00)

BIT NUMBER	BIT NAME	DESCRIPTION
7:0	PORT_INT_2C	Reserved, always = '0'.

7.1.4.38 Register DCh: Port Assign Interface Configuration 2D (Reset = 0x00)

BIT NUMBER	BIT NAME	DESCRIPTION
7:0	PORT_INT_2D	Reserved, always = '0'.

7.1.4.39 Register DDh: Port Assign Interface Configuration 3A (Reset = 0x00)

BIT NUMBER	BIT NAME	DESCRIPTION
7:0	PORT_INT_3A	Port Assign Interface 3A: Determines the configuration of the hardware interface configuration for the assignment of ports 1 & 2 to upstream hosts.
		Bit [7:4] = '0000' Port 2 is unassigned
		'0001' Port 2 owned by UP1
		'0010' Port 2 owned by UP2
		'0011' to '1111' Reserved, will default to '0001' value
		Bit [3:0] = '0000' Port 1 is unassigned
		'0001' Port 1 owned by UP1
		'0010' Port 1 owned by UP2
		'0011' to '1111' Reserved, will default to '0001' value

Datasheet

7.1.4.40 Register DEh: Port Assign Interface Configuration 3B (Reset = 0x00)

BIT NUMBER	BIT NAME	DESCRIPTION
7:0	PORT_INT_3B	Port Assign Interface 3B: Determines the configuration of the hardware interface configuration for the assignment of ports 3 & 4 to upstream hosts.
		Bit [7:4] = '0000' Port 4 is unassigned
		'0001' Port 4 owned by UP1
		'0010' Port 4 owned by UP2
		'0011' to '1111' Reserved, will default to '0001' value
		Bit [3:0] = '0000' Port 3 is unassigned
		'0001' Port 3 owned by UP1
		'0010' Port 3 owned by UP2
		'0011' to '1111' Reserved, will default to '0001' value

7.1.4.41 Register DFh: Port Assign Interface Configuration 3C (Reset = 0x00)

BIT NUMBER	BIT NAME	DESCRIPTION
7:0	PORT_INT_3C	Reserved, always = '0'.

7.1.4.42 Register E0h: Port Assign Interface Configuration 3D (Reset = 0x00)

BIT NUMBER	BIT NAME	DESCRIPTION
7:0	PORT_INT_3D	Reserved, always = '0'.

7.1.4.43 Register E1h: Port Assign Interface Configuration 4A (Reset = 0x00)

BIT NUMBER	BIT NAME	DESCRIPTION
7:0	PORT_INT_4A	Port Assign Interface 4A: Determines the configuration of the hardware interface configuration for the assignment of ports 1 & 2 to upstream hosts.
		Bit [7:4] = '0000' Port 2 is unassigned
		'0001' Port 2 owned by UP1
		'0010' Port 2 owned by UP2
		'0011' to '1111' Reserved, will default to '0001' value
		Bit [3:0] = '0000' Port 1 is unassigned
		'0001' Port 1 owned by UP1
		'0010' Port 1 owned by UP2
		'0011' to '1111' Reserved, will default to '0001' value

7.1.4.44 Register E2h: Port Assign Interface Configuration 4B (Reset = 0x00)

BIT NUMBER	BIT NAME	DESCRIPTION
7:0	PORT_INT_4B	Port Assign Interface 4B: Determines the configuration of the hardware interface configuration for the assignment of ports 3 & 4 to upstream hosts.
		Bit [7:4] = '0000' Port 4 is unassigned
		'0001' Port 4 owned by UP1
		'0010' Port 4 owned by UP2
		'0011' to '1111' Reserved, will default to '0001' value
		Bit [3:0] = '0000' Port 3 is unassigned
		'0001' Port 3 owned by UP1
		'0010' Port 3 owned by UP2
		'0011' to '1111' Reserved, will default to '0001' value

7.1.4.45 Register E3h: Port Assign Interface Configuration 4C (Reset = 0x00)

BIT NUMBER	BIT NAME	DESCRIPTION
7:0	PORT_INT_4C	Reserved, always = '0'.

7.1.4.46 Register E4h: Port Assign Interface Configuration 4D (Reset = 0x00)

BIT NUMBER	BIT NAME	DESCRIPTION
7:0	PORT_INT_4D	Reserved, always = '0'.

7.1.4.47 Register E5h: Port Assign Interface Configuration 5A (Reset = 0x00)

BIT NUMBER	BIT NAME	DESCRIPTION
7:0	PORT_INT_5A	Port Assign Interface 5A: Determines the configuration of the hardware interface configuration for the assignment of ports 1 & 2 to upstream hosts.
		Bit [7:4] = '0000' Port 2 is unassigned
		'0001' Port 2 owned by UP1
		'0010' Port 2 owned by UP2
		'0011' to '1111' Reserved, will default to '0001' value
		Bit [3:0] = '0000' Port 1 is unassigned
		'0001' Port 1 owned by UP1
		'0010' Port 1 owned by UP2
		'0011' to '1111' Reserved, will default to '0001' value

Datasheet

7.1.4.48 Register E6h: Port Assign Interface Configuration 5B (Reset = 0x00)

BIT NUMBER	BIT NAME	DESCRIPTION
7:0	PORT_INT_5B	Port Assign Interface 5B: Determines the configuration of the hardware interface configuration for the assignment of ports 3 & 4 to upstream hosts.
		Bit [7:4] = '0000' Port 4 is unassigned
		'0001' Port 4 owned by UP1
		'0010' Port 4 owned by UP2
		'0011' to '1111' Reserved, will default to '0001' value
		Bit [3:0] = '0000' Port 3 is unassigned
		'0001' Port 3 owned by UP1
		'0010' Port 3 owned by UP2
		'0011' to '1111' Reserved, will default to '0001' value

7.1.4.49 Register E7h: Port Assign Interface Configuration 5C (Reset = 0x00)

BIT NUMBER	BIT NAME	DESCRIPTION
7:0	PORT_INT_5C	Reserved, always = '0'.

7.1.4.50 Register E8h: Port Assign Interface Configuration 5D (Reset = 0x00)

BIT NUMBER	BIT NAME	DESCRIPTION
7:0	PORT_INT_5D	Reserved, always = '0'.

7.1.4.51 Register E9h: Port Assign Interface Configuration 6A (Reset = 0x00)

BIT NUMBER	BIT NAME	DESCRIPTION
7:0	PORT_INT_6A	Port Assign Interface 6A: Determines the configuration of the hardware interface configuration for the assignment of ports 1 & 2 to upstream hosts.
		Bit [7:4] = '0000' Port 2 is unassigned
		'0001' Port 2 owned by UP1
		'0010' Port 2 owned by UP2
		'0011' to '1111' Reserved, will default to '0001' value
		Bit [3:0] = '0000' Port 1 is unassigned
		'0001' Port 1 owned by UP1
		'0010' Port 1 owned by UP2
		'0011' to '1111' Reserved, will default to '0001' value

7.1.4.52 Register EAh: Port Assign Interface Configuration 6B (Reset = 0x00)

BIT NUMBER	BIT NAME	DESCRIPTION
7:0	PORT_INT_6B	Port Assign Interface 6B: Determines the configuration of the hardware interface configuration for the assignment of ports 3 & 4 to upstream hosts.
		Bit [7:4] = '0000' Port 4 is unassigned
		'0001' Port 4 owned by UP1
		'0010' Port 4 owned by UP2
		'0011' to '1111' Reserved, will default to '0001' value
		Bit [3:0] = '0000' Port 3 is unassigned
		'0001' Port 3 owned by UP1
		'0010' Port 3 owned by UP2
		'0011' to '1111' Reserved, will default to '0001' value

7.1.4.53 Register EBh: Port Assign Interface Configuration 6C (Reset = 0x00)

BIT NUMBER	BIT NAME	DESCRIPTION
7:0	PORT_INT_6C	Reserved, always = '0'.

7.1.4.54 Register ECh: Port Assign Interface Configuration 6D (Reset = 0x00)

BIT NUMBER	BIT NAME	DESCRIPTION
7:0	PORT_INT_6D	Reserved, always = '0'.

7.1.4.55 Register EDh: Port Assign Interface Configuration 7A (Reset = 0x00)

BIT NUMBER	BIT NAME	DESCRIPTION
7:0	PORT_INT_7A	Port Assign Interface 7A: Determines the configuration of the hardware interface configuration for the assignment of ports 1 & 2 to upstream hosts.
		Bit [7:4] = '0000' Port 2 is unassigned
		'0001' Port 2 owned by UP1
		'0010' Port 2 owned by UP2
		'0011' to '1111' Reserved, will default to '0001' value
		Bit [3:0] = '0000' Port 1 is unassigned
		'0001' Port 1 owned by UP1
		'0010' Port 1 owned by UP2
		'0011' to '1111' Reserved, will default to '0001' value

Datasheet

7.1.4.56 Register EEh: Port Assign Interface Configuration 7B (Reset = 0x00)

BIT NUMBER	BIT NAME	DESCRIPTION
7:0	PORT_INT_7B	Port Assign Interface 7B: Determines the configuration of the hardware interface configuration for the assignment of ports 3 & 4 to upstream hosts.
	Bit [7:4] = '0000'	Port 4 is unassigned
	'0001'	Port 4 owned by UP1
	'0010'	Port 4 owned by UP2
	'0011' to '1111'	Reserved, will default to '0001' value
	Bit [3:0] = '0000'	Port 3 is unassigned
	'0001'	Port 3 owned by UP1
	'0010'	Port 3 owned by UP2
	'0011' to '1111'	Reserved, will default to '0001' value

7.1.4.57 Register EFh: Port Assign Interface Configuration 7C (Reset = 0x00)

BIT NUMBER	BIT NAME	DESCRIPTION
7:0	PORT_INT_7C	Reserved, always = '0'.

7.1.4.58 Register F0h: Port Assign Interface Configuration 7D (Reset = 0x00)

BIT NUMBER	BIT NAME	DESCRIPTION
7:0	PORT_INT_7D	Reserved, always = '0'.

7.1.4.59 Register F1h: Port Assignment 1 & 2 (Reset = 0x00)

BIT NUMBER	BIT NAME	DESCRIPTION
7:0	PORT_ASSIGN_12	Port 1 & 2 Assignment to upstream host port. Determines which upstream port "owns" each of the downstream ports
	Bit [7:4] = '0000'	Port 2 is unassigned
	'0001'	Port 2 owned by UP1
	'0010'	Port 2 owned by UP2
	'0011' to '1111'	Reserved, will default to '0001' value
	Bit [3:0] = '0000'	Port 1 is unassigned
	'0001'	Port 1 owned by UP1
	'0010'	Port 1 owned by UP2
	'0011' to '1111'	Reserved, will default to '0001' value

7.1.4.60 Register F2h: Port Assignment 3 & 4 (Reset = 0x00)

BIT NUMBER	BIT NAME	DESCRIPTION	
7:0	PORT_ASSIGN_34	Port 3 & 4 Assignment to upstream host port. Determines which upstream port "owns" each of the downstream ports	
		Bit [7:4] = '0000'	Port 4 is unassigned
		'0001'	Port 4 owned by UP1
		'0010'	Port 4 owned by UP2
		'0011' to '1111'	Reserved, will default to '0001' value
		Bit [3:0] = '0000'	Port 3 is unassigned
		'0001'	Port 3 owned by UP1
		'0010'	Port 3 owned by UP2
		'0011' to '1111'	Reserved, will default to '0001' value

7.1.4.61 Register F3h: Port Assignment 5 & 6 (Reset = 0x00)

BIT NUMBER	BIT NAME	DESCRIPTION
7:0	PORT_ASSIGN_56	Reserved, always = '0'.

7.1.4.62 Register F4h: Port Assignment 7 (Reset = 0x00)

BIT NUMBER	BIT NAME	DESCRIPTION
7:0	PORT_ASSIGN_7	Reserved, always = '0'.

7.1.4.63 Register F5h: Port Lockout (Reset = 0x00)

BIT NUMBER	BIT NAME	DESCRIPTION
7:0	PORT_LOCKOUT	Port Lockout: Locks a port to the currently assigned upstream port, and doesn't allow the port to be re-assigned. '0' = port is available to be switched '1' = port is locked to the assigned port. Bit 7= Reserved, always = '0'. Bit 6= Reserved, always = '0'. Bit 5= Reserved, always = '0'. Bit 4= 1; Port 4 is locked. Bit 3= 1; Port 3 is locked. Bit 2= 1; Port 2 is locked. Bit 1= 1; Port 1 is locked. Bit 0 is Reserved, always = '0'

Datasheet

7.1.4.64 Register FFh: Status/Command (Reset = 0x00)

BIT NUMBER	BIT NAME	DESCRIPTION
7:3	Reserved	Reserved. {Note: Software must never write a '1' to these bits}
2	INTF_PW_DN	<p>SMBus Interface Power Down</p> <p>0 = Interface is active 1 = Interface power down after ACK has completed.</p> <p>{Note: This bit is write once and is only cleared by assertion of the external RESET_N pin.}</p>
1	RESET	<p>Reset the SMBus Interface and internal memory back to RESET_N assertion default settings. {Note: During this reset, this bit is automatically cleared to its default value of 0.}</p> <p>0 = Normal Run/Idle State. 1 = Force a reset of the registers to their default state.</p> <p>If the USB_ATTCH bit is set, then this bit will only reset the non write-protected registers!</p>
0	USB_ATTACH	<p>USB Attach (and write protect).</p> <p>0 = SMBus slave interface is active. 1 = Hub will signal a USB attach event to an upstream device, and the internal memory (address range 00h-F0h) is "write-protected" to prevent unintentional data corruption.</p> <p>{Note 1: This bit is write once and is only cleared by assertion of the external RESET_N pin.}</p> <p>{Note 2: If the SMBus interface is kept active after this bit is set, the PORT_ASSIGN_12, PORT_ASSIGN_34, PORT_ASSIGN_56, PORT_ASSIGN_7 and PORT_LOCKOUT registers may be continuously written to reconfigure port ownership.</p>

7.2 EEPROM Interface

The SMSC Hub can be configured via a 2-wire (I²C) EEPROM (256x8). (please see [Table 4.2, "SMBus or EEPROM Interface Behavior"](#) for specific details on how to enable configuration via an I²C EEPROM).

The Internal state-machine will, (when configured for EEPROM support) read the external EEPROM for configuration data. The hub will then "attach" to the upstream USB port.

Note: The Hub does not have the capability to write, or "Program", an external EEPROM. The Hub only has the capability to read external EEPROMs. The external eeprom will be read (even if it is blank or non-populated), and the hub will be "configured" with the values that are read.

Please see Internal Register Set (Common to EEPROM and SMBus) for a list of data fields available.

7.2.1 I²C Master

The I²C EEPROM interface implements a subset of the I²C Master Specification (Please refer to the Philips Semiconductor Standard I²C-Bus Specification for details on I²C bus protocols). The Hub's I²C EEPROM interface is designed to attach to a single "dedicated" I²C EEPROM, and it conforms to the Standard-mode I²C Specification (100kbit/s transfer rate and 7-bit addressing) for protocol and electrical compatibility.

Note: Extensions to the I²C Specification are not supported.

The Hub acts as the master and generates the serial clock SCL, controls the bus access (determines which device acts as the transmitter and which device acts as the receiver), and generates the START and STOP conditions.

7.2.1.1 Implementation Characteristics

The Hub will only access an EEPROM using the Sequential Read Protocol.

7.2.1.2 Pull-Up Resistor

The Circuit board designer is required to place external pull-up resistors (10KΩ recommended) on the SDA/SMBDATA & SCL/SMBCLK/CFG_SELO lines (per SMBus 1.0 Specification, and EEPROM manufacturer guidelines) to Vcc in order to assure proper operation.

7.2.1.3 I²C EEPROM Slave Address

Slave address is 1010000.

Note: 10-bit addressing is NOT supported.

7.2.2 In-Circuit EEPROM Programming

The EEPROM can be programmed via ATE by pulling RESET_N low (which tri-states the Hub's EEPROM interface and allows an external source to program the EEPROM).

7.3 SMBus Slave Interface

Instead of loading User-Defined Descriptor data from an external EEPROM, the SMSC Hub can be configured to receive a code load from an external processor via an SMBus interface. The SMBus interface shares the same pins as the EEPROM interface, if CFG_SEL2, CFG_SEL1 & CFG_SEL0 activates the SMBus interface, external EEPROM support is no longer available (and the user-defined descriptor data must be downloaded via the SMBus). Due to system issues, the SMSC Hub waits indefinitely for the SMBus code load to complete and only “appears” as a newly connected device on USB after the code load is complete.

The Hub’s SMBus implementation is a subset of the SMBus interface to the host. The device is a *slave-only* SMBus device. The implementation in the device is a subset of SMBus since it only supports two protocols. The Write Block and Read Block protocols are the only valid SMBus protocols for the Hub. The Hub responds to other protocols as described in [Invalid Protocol Response Behavior on page 42](#). Reference the System Management Bus Specification, Rev 1.0.

The SMBus interface is used to read and write the registers in the device. The register set is shown in, [Internal Register Set \(Common to EEPROM and SMBus\) on page 20](#).

7.3.1 Bus Protocols

Typical Write Block and Read Block protocols are shown below. Register accesses are performed using 7-bit slave addressing, an 8-bit register address field, and an 8-bit data field. The shading indicates the Hub driving data on the SMBDATA line; otherwise, host data is on the SDA/SMBDATA line.

The slave address is the unique SMBus Interface Address for the Hub that identifies it on SMBus. The register address field is the internal address of the register to be accessed. The register data field is the data that the host is attempting to write to the register or the contents of the register that the host is attempting to read.

Data bytes are transferred MSB first (msb first).

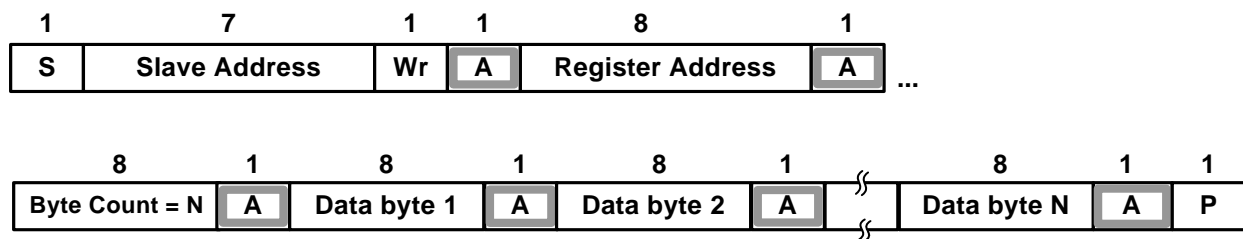
7.3.1.1 Block Read/Write

The Block Write begins with a slave address and a write condition. After the command code the host issues a byte count which describes how many more bytes will follow in the message. If a slave had 20 bytes to send, the first byte would be the number 20 (14h), followed by the 20 bytes of data. The byte count may not be 0. A Block Read or Write is allowed to transfer a maximum of 32 data bytes.

For the following SMBus tables:

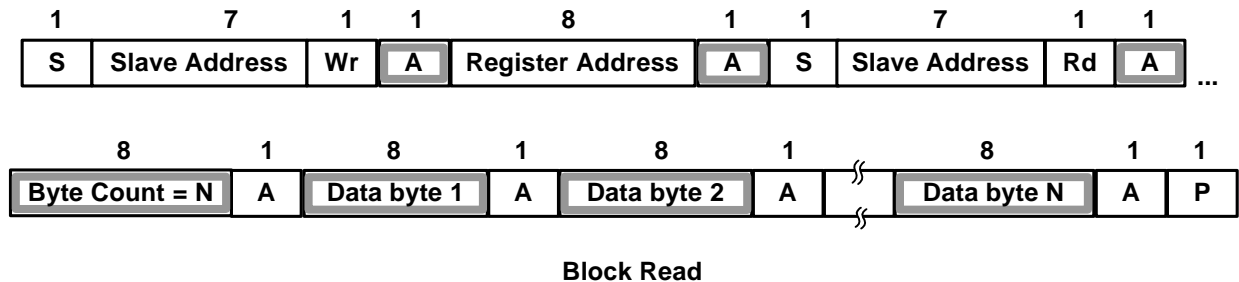
Denotes Master-to-Slave Denotes Slave-to-Master

Figure 7.1 SMBus Block Write



Block Write

A Block Read differs from a block write in that the repeated start condition exists to satisfy the I²C specification's requirement for a change in the transfer direction.

Figure 7.2 SMBus Block Read


7.3.2 Invalid Protocol Response Behavior

Registers that are accessed with an invalid protocol are not updated. A register is only updated following a valid protocol. The only valid protocols are Write Block and Read Block, which are described above.

The Hub only responds to the hardware selected Slave Address. Attempting to communicate with the Hub over SMBus with an invalid slave address or invalid protocol results in no response, and the SMBus Slave Interface returns to the idle state. The only valid registers that are accessible by the SMBus slave address are the registers defined in the Registers Section. See Undefined Registers for the response to undefined registers.

7.3.3 General Call Address Response

The Hub does not respond to a general call address of 0000_000b.

7.3.4 Slave Device Time-Out

According to the SMBus Specification, V1.0 devices in a transfer can abort the transfer in progress and release the bus when any single clock low interval exceeds 25ms ($T_{\text{TIMEOUT, MIN}}$). Devices that have detected this condition must reset their communication and be able to receive a new START condition no later than 35ms ($T_{\text{TIMEOUT, MAX}}$).

Note: Some simple devices do not contain a clock low drive circuit; this simple kind of device typically resets its communications port after a start or stop condition. The Slave Device Time-Out must be implemented.

7.3.5 Stretching the SCLK Signal

The Hub supports stretching of the SCLK by other devices on the SMBus. The Hub does not stretch the SCLK.

7.3.6 SMBus Timing

The SMBus Slave Interface complies with the SMBus AC Timing Specification. See the SMBus timing in the "Timing Diagram" section.

7.3.7 Bus Reset Sequence

The SMBus Slave Interface resets and returns to the idle state upon a START field followed immediately by a STOP field.

7.3.8 SMBus Alert Response Address

The SMBALERT# signal is not supported by the Hub.

7.3.8.1 Undefined Registers

Reads to undefined registers return 00h. Writes to undefined registers have no effect and do not return an error.

7.3.8.2 Reserved Registers

Unless otherwise instructed, only a '0' may be written to all reserved registers or bits.

7.4 Default Strapping Option

The USB2524 can be configured via a combination of internal default values and pin strap options.

The strapping option pins only cover a limited sub-set of the configuration options. The internal default values will be used for the bits & registers that are not controlled by a strapping option pin.

The LED_A[4:1]_N pins are sampled after RESET_N negation, and the logic values are used to configure the hub if the internal default configuration mode is selected. The implementation shown in Figure 7.3, "LED Strapping Option" shows a recommended passive scheme. When a pin is configured with a "Strap High" configuration, the LED functions with active low signaling, and the PAD will "sink" the current from the external supply. When a pin is configured with a "Strap Low" configuration, the LED functions with active high signaling, and the PAD will source the current to the external LED.

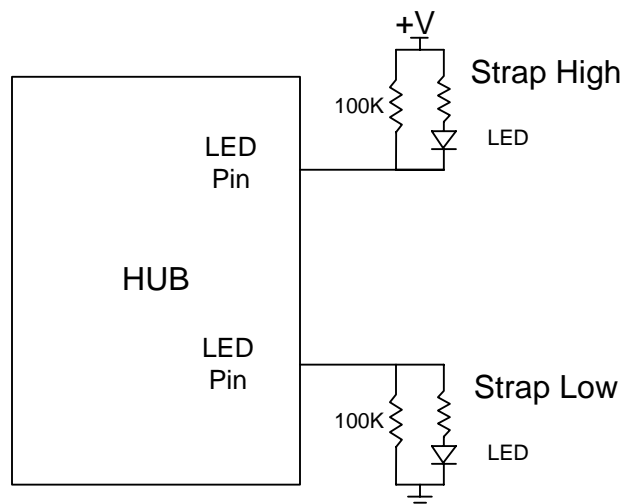


Figure 7.3 LED Strapping Option

7.5 Default Configuration

When configured for Internal Defaults only, the Default ROM values in [Table 7.1, "Internal EEPROM & SMBus Register Memory Map"](#) lists the values which will be used to configure the various hub features.

Chapter 8 LED Interface Description

The USB2524 supports 3 different (mutually exclusive) LED modes. USB Mode provides 8 LEDs, which conform to the USB 2.0 specification functional requirements for Green and Amber LED's. Basic Host Owner LED Indication mode uses 8 Single color LED's to provide user indication of upstream host ownership of the 4 downstream ports. Host Owner and Downstream Port Speed LED Indication mode uses 8 Dual Color LED's to provide both a User indication of Downstream port ownership, while simultaneously displaying an indication of the speed of the downstream device which is attached to each of the downstream ports.

8.1 USB Mode:

The LED_A[4:1]_N pins are used to provide Green LED, and LED_B[4:1]_N pins are used to provide Amber LED support as defined in the USB 2.0 specification. The USB Specification defines the LED's as port and error status indicators for the downstream ports. Please note that no indication of upstream host ownership is possible in this mode. The pins are utilized as follows:

LED_A1_N = Port 1 Green

LED_B1_N = Port 1 Amber

LED_A2_N = Port 2 Green

LED_B2_N = Port 2 Amber

LED_A3_N = Port 3 Green

LED_B3_N = Port 3 Amber

LED_A4_N = Port 4 Green

LED_B4_N = Port 4 Amber

8.2 Basic Host Owner LED Indication:

All 8 LED pins are used in this mode in conjunction with single-color LEDs to indicate which upstream Host owns each specific downstream Port. The usage and assignment is as follows:

LED_A1_N = Port 1 Owned By Host A

LED_B1_N = Port 1 Owned By Host B

LED_A2_N = Port 2 Owned By Host A

LED_B2_N = Port 2 Owned By Host B

LED_A3_N = Port 3 Owned By Host A

LED_B3_N = Port 3 Owned By Host B

LED_A4_N = Port 4 Owned By Host A

LED_B4_N = Port 4 Owned By Host B

If a Port is disabled, or is Unassigned, then neither the "A" or "B" LED associated with that port will be asserted.

Since these LED's are provided to give an end-user a clear indication of Host Ownership of downstream ports, they will function when the hub is in suspend, and will indicate Host ownership even if the applicable assigned Host is disconnected, powered off, etc.

8.3 Host Ownership and Port Speed LED Indication:

All 8 LED pins are used in this mode in conjunction with 8 Dual-color LEDs (each LED pair in a single package) to indicate which upstream Host owns each specific downstream Port, as well as the speed that the downstream device is operating at.

Each dual-color LED provides two separate colors (commonly Green and Red). If each of these separate colors are pulsed on and off at a rapid rate, a user will see a third color (in this example, Orange). By this means, 4 different “color” states are possible (Green, Red, Orange, and Off).

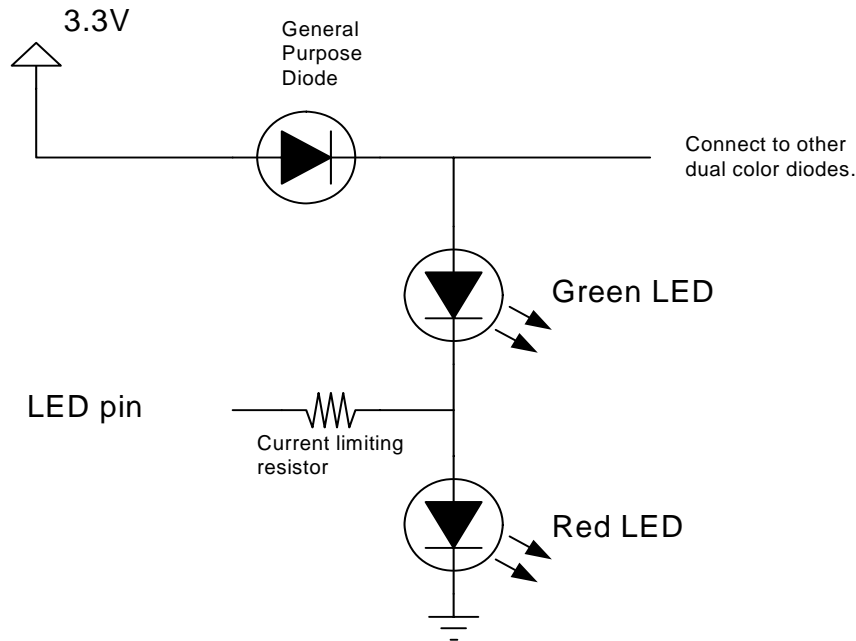


Figure 8.1 Dual Color LED Implementation Example

Figure 8.1 shows a simple example of how this LED circuit will be implemented. The Circuit will need to be replicated for each of the 8 LED pins on the USB2524. In this circuit, when the LED pin is driven to a logic low state, the Green LED will Light up. When the LED pin is driven to a Logic High state the Red LED will Light up. When a 1KHz square wave is driven out on the LED pin, the Green and Red LED's will both alternately light up giving the effect of the color Orange. When nothing is driven out on the LED pin (i.e. the pin floats to a “tri-state” condition), neither the Green or Red LED will light up, this is the “Off” state.

The assignment is as follows:

LED_A1_N = Port 1 Owned By Host A

LED_B1_N = Port 1 Owned By Host B

LED_A2_N = Port 2 Owned By Host A

LED_B2_N = Port 2 Owned By Host B

LED_A3_N = Port 3 Owned By Host A

LED_B3_N = Port 3 Owned By Host B

LED_A4_N = Port 4 Owned By Host A

LED_B4_N = Port 4 Owned By Host B

The Usage is as follows:

LED_Ax_N Driven to Logic Low = Port Owned by Host "A" and is operating at USB LS/FS Speed

LED_Ax_N Driven to Logic High = Port Owned by Host "A" and is operating at USB HS Speed

LED_Ax_N Pulsed @ 1KHz= Port Owned by Host "A" and has nothing attached.

LED_Ax_N is tri-state= LED "A" is off.

LED_Bx_N Driven to Logic Low = Port Owned by Host "B" and is operating at USB LS/FS Speed

LED_Bx_N Driven to Logic High = Port Owned by Host "B" and is operating at USB HS Speed

LED_Bx_N Pulsed @ 1KHz= Port Owned by Host "B" and has nothing attached.

LED_Bx_N is tri-state= LED "B" is off.

If a Port is disabled, or is Unassigned, then neither the "A" or "B" LED associated with that port will be asserted (i.e. both LED's will be OFF/tri-stated).

Since these LED's are provided to give an end-user a clear indication of Host Ownership of downstream ports, they will function when the hub is in suspend, and will indicate Host ownership even if the applicable assigned Host is disconnected, powered off, etc.

When a downstream device is in suspend (or the Hub is in suspend), connected devices will continue to reflect the proper LED color for the operational speed the device is enumerated at (i.e, HS will remain HS, and FS/LS will remain FS/LS) What will change is the 3rd color which represents an assigned port with no connection, when in suspend the corresponding LED will be off (giving the same indication as unassigned, while the hub is suspended). This disables the 1khz toggle while the hub is suspended.

Chapter 9 Reset

9.1 Reset

There are two different resets that the Hub experiences. One is a hardware reset (via the RESET_N pin) and the second is a USB Bus Reset.

9.1.1 External Hardware RESET_N

A valid hardware reset is defined as, assertion of RESET_N for a minimum of 1us after all power supplies are within operating range. While reset is asserted, the Hub (and its associated external circuitry) consumes less than 500μA of current from the upstream USB power source (300μA for the Hub and 200μA for the external circuitry).

Assertion of RESET_N (external pin) causes the following:

- All downstream ports are disabled, and PRTPOWER power to downstream devices is removed.
- The PHYs are disabled, and the differential pairs will be in a high-impedance state.
- All transactions immediately terminate; no states are saved.
- All internal registers return to the default state (in most cases, 00(h)).
- The external crystal oscillator is halted.
- The PLL is halted.
- LED indicators are disabled.

The Hub is “operational” 500μs after RESET_N is negated.

Once operational, the Hub immediately reads OEM-specific data from the external EEPROM (if the SMBus option is not disabled) or the internal ROM.

9.1.1.1 RESET_N for Strapping Option Configuration

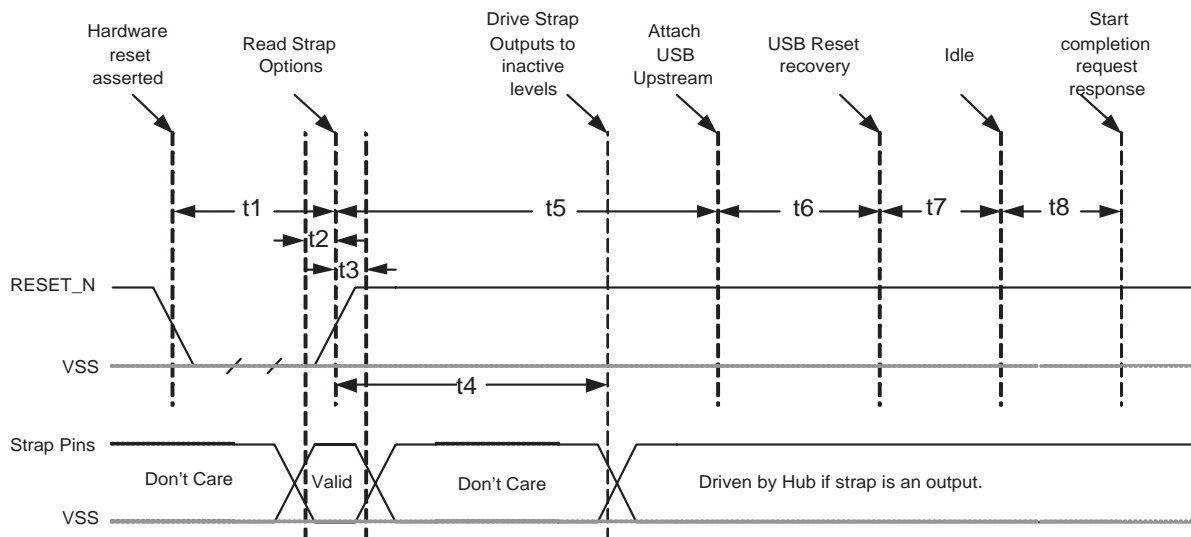


Figure 9.1 Reset_N Timing for Default/Strap Option Mode

Table 9.1 Reset_N Timing for Default/Strap Option Mode

NAME	DESCRIPTION	MIN	TYP	MAX	UNITS
t1	RESET_N Asserted.	1			μsec
t2	Strap Setup Time	16.7			nsec
t3	Strap Hold Time.	16.7		1400	nsec
t4	hub outputs driven to inactive logic states		1.5	2.0	μsec
t5	USB Attach (See Note 9.1)			100	msec
t6	Host acknowledges attach and signals USB Reset.	100			msec
t7	USB Idle.		undefined		msec
t8	Completion time for requests (with or without data stage).			5	msec

Note 9.1 When in Bus-Powered mode, the Hub and its associated circuitry must not consume more than 100mA from the upstream USB power source during t1+t5.

Datasheet

9.1.1.2 RESET_N for EEPROM Configuration

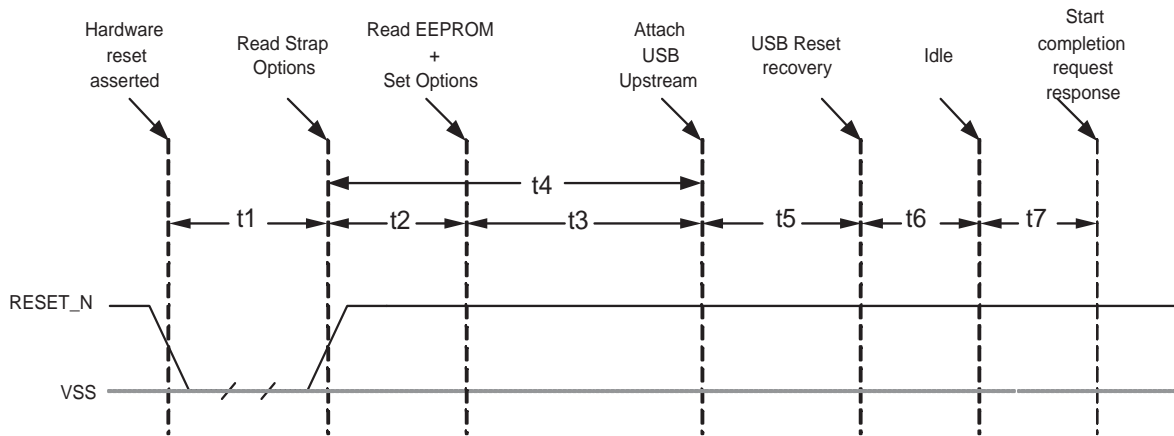


Figure 9.2 Reset_N Timing for EEPROM Mode

Table 9.2 Reset_N Timing for EEPROM Mode

NAME	DESCRIPTION	MIN	TYP	MAX	UNITS
t1	RESET_N Asserted.	1			μsec
t2	Hub Recovery/Stabilization.			500	μsec
t3	EEPROM Read / Hub Config.		2.0	99.5	msec
t4	USB Attach (See Note 9.2)			100	msec
t5	Host acknowledges attach and signals USB Reset.	100			msec
t6	USB Idle.		undefined		msec
t7	Completion time for requests (with or without data stage).			5	msec

Note 9.2 When in Bus-Powered mode, the Hub and its associated circuitry must not consume more than 100mA from the upstream USB power source during t4+t5+t6+t7.

9.1.1.3 RESET_N for SMBus Slave Configuration

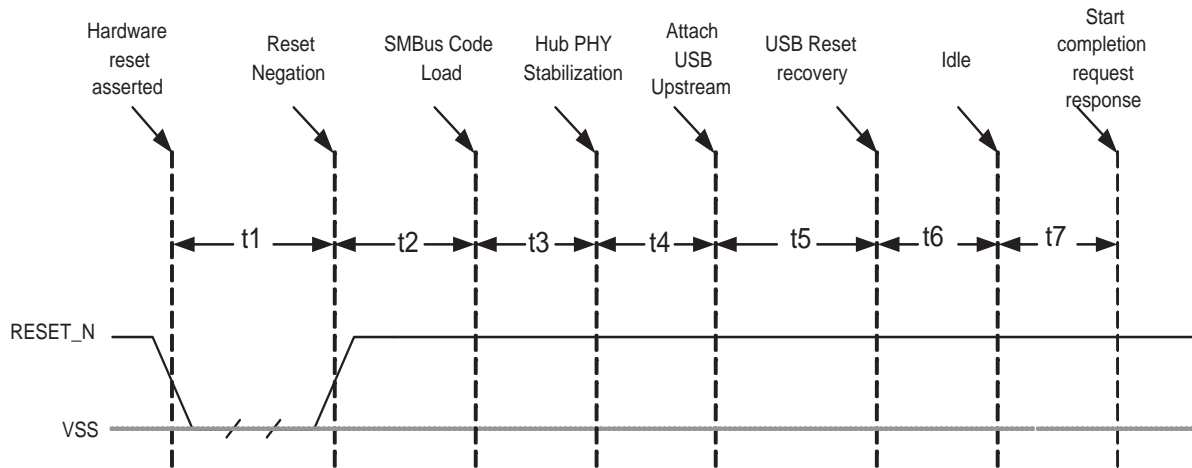


Figure 9.3 Reset_N Timing for SMBus Mode

Table 9.3 Reset_N Timing for SMBus Mode

NAME	DESCRIPTION	MIN	TYP	MAX	UNITS
t1	RESET_N Asserted.	1			μsec
t2	Hub Recovery/Stabilization.			500	μsec
t3	SMBus Code Load (See Note 9.3)		250	300	msec
t4	Hub Configuration and USB Attach.			100	msec
t5	Host acknowledges attach and signals USB Reset.	100			msec
t6	USB Idle.		Undefined		msec
t7	Completion time for requests (with or without data stage).			5	msec

Note: For Bus-Powered configurations, the Hub and its associated circuitry will consume more than 100mA from the upstream USB power source during $t2+t3+t4+t5+t6+t7$.

Note 9.3 For Self-Powered configurations, t3 MAX is not applicable and the time to load the configuration is determined by the external SMBus host.

9.1.2 USB Bus Reset

In response to the upstream port signaling a reset to the Hub, the Hub does the following:

Note: The Hub does not propagate the upstream USB reset to downstream devices.

- Sets default address to 0.
- Sets configuration to: Unconfigured.
- Negates PRTPOWER[4:1] to all downstream ports.
- Clears all TT buffers.
- Moves device from suspended to active (if suspended).



Datasheet

- Complies with Section 11.10 of the USB 2.0 Specification for behavior after completion of the reset sequence.

The Host then configures the Hub and the Hub's downstream port devices in accordance with the USB Specification.

Chapter 10 XNOR Test

Please contact your SMSC representative for a detailed description of how this test mode is enabled and utilized.

Chapter 11 DC Parameters

11.1 Maximum Guaranteed Ratings

Operating Temperature Range	0°C to +70°C
Storage Temperature Range	-55° to +150°C
Lead Temperature Range (soldering, 10 seconds)	+325°C
Positive Voltage on any I/O pin, with respect to Ground	5.5V
Negative Voltage on any I/O pin, with respect to Ground	-0.V
Positive Voltage on XTAL1, with respect to Ground	4.0V
Positive Voltage on XTAL2, with respect to Ground	3.6V
Negative Voltage on XTAL1 and XTAL2, with respect to Ground	-0.V
Maximum V_{DDA33} & V_{DD33}	+4.0V

*Stresses above the specified parameters could cause permanent damage to the device. This is a stress rating only and functional operation of the device at any other condition above those indicated in the operation sections of this specification is not implied.

Note: When powering this device from laboratory or system power supplies, it is important that the Absolute Maximum Ratings not be exceeded or device failure can result. Some power supplies exhibit voltage spikes on their outputs when the AC power is switched on or off. In addition, voltage transients on the AC power line may appear on the DC output. When this possibility exists, it is suggested that a clamp circuit be used.

11.1.1 DC Electrical Characteristics

($T_A = 0^\circ\text{C} - 70^\circ\text{C}$, V_{DD33} , V_{DDA33} , = +3.3 V tolerance -5% to $\pm 10\%$)

Table 11.1 DC Electrical Characteristics

PARAMETER	SYMBOL	MIN	TYP	MAX	UNITS	COMMENTS
I, IS Type Input Buffer						
Low Input Level	V_{ILI}			0.8	V	TTL Levels
High Input Level	V_{IHI}	2.0			V	
Input Leakage	I_{IL}	-10		+10	uA	$V_{IN} = 0$ to V_{DD33}
Hysteresis ('IS' Only)	V_{HYSI}	250	300	350	mV	
Input Buffer with Pull-Up (IPU)						
Low Input Level	V_{ILI}			0.8	V	TTL Levels
High Input Level	V_{IHI}	2.0			V	
Low Input Leakage	I_{ILL}			10	uA	$V_{IN} = 0$
High Input Leakage	I_{IHL}			30	uA	$V_{IN} = V_{DD33}$

Table 11.1 DC Electrical Characteristics (continued)

PARAMETER	SYMBOL	MIN	TYP	MAX	UNITS	COMMENTS
Input Buffer with Pull-Down (IPD)						
Low Input Level	V_{ILI}			0.8	V	TTL Levels
High Input Level	V_{IHI}	2.0			V	
Low Input Leakage	I_{ILL}			30	uA	$V_{IN} = 0$
High Input Leakage	I_{IHL}			10	uA	$V_{IN} = V_{DD33}$
ICLK Input Buffer						
Low Input Level	V_{ILCK}			0.5	V	TTL Levels
High Input Level	V_{IHCK}	1.4			V	
Input Leakage	I_{IL}	-10		+10	uA	$V_{IN} = 0$ to V_{DD33}
I/OSD12 Type Buffer						
Low Output Level	V_{OL}			0.4	V	$I_{OL} = 12$ mA @ $V_{DD33} = 3.3$ V
Output Leakage	I_{OL}	-10		+10	μA	$V_{IN} = 0$ to V_{DD33} (Note 11.1)
Hysteresis	V_{HYSI}	250	300	350	mV	
IO-U (Note 11.2)						
I-R (Note 11.3)						
Supply Current Unconfigured						Note: 1 Upstream port is in suspend, and the other Upstream Port is in the process of being enumerated by an external Host controller (all downstream ports assigned to the Upstream port under enumeration).
1High-Speed Hosts 1Full-Speed Hosts	I_{CCINIT} I_{CCINIT}		119 117		mA mA	
Supply Current Unconfigured						Note: Both Upstream Ports are in the process of being enumerated by external Host controllers.
2 High-Speed Hosts 2 Full-Speed Hosts	I_{CCINIT} I_{CCINIT}		199 174		mA mA	
Supply Current Configured (2 upstream High-Speed Hosts)						Total from all supplies
2 Ports @ FS/LS 2 Ports @ HS 1 Port HS, 1 Port FS/LS 3 Ports HS 4 Ports HS	I_{HCC2} I_{HCH2} I_{HCH1C1} I_{HCH3} I_{HCH4}		198 260 240 310 340		mA mA mA mA mA	

Table 11.1 DC Electrical Characteristics (continued)

PARAMETER	SYMBOL	MIN	TYP	MAX	UNITS	COMMENTS
Supply Current Configured (2 upstream Full-Speed Hosts)						Total from all supplies
1 Port	I_{FCC1}		182		mA	
2 Ports	I_{FCC2}		182		mA	
3 Ports	I_{FCC3}		182		mA	
4 Ports	I_{FCC4}		182		mA	
Supply Current Suspend	I_{CSBY}		272		μ A	Total from all supplies.
Supply Current Reset	I_{CRST}		73		μ A	Total from all supplies.

Note 11.1 Output leakage is measured with the current pins in high impedance.

Note 11.2 See USB 2.0 Specification for USB DC electrical characteristics.

Note 11.3 RBIAS is a 3.3V tolerant analog pin.

CAPACITANCE $T_A = 25^\circ\text{C}$; $f_c = 1\text{MHz}$; $V_{DDIO} = 3.3\text{V}$

PARAMETER	SYMBOL	LIMITS			UNIT	TEST CONDITION
		MIN	TYP	MAX		
Clock Input Capacitance	C_{IN}			2	pF	All pins except USB pins (and pins under test tied to AC ground)
Input Capacitance	C_{IN}			8	pF	
Output Capacitance	C_{OUT}			12	pF	

Power Sequencing

There are no power supply sequence restrictions for the Hub. The order in which power supplies power-up and power-down is implementation dependent.

Chapter 12 AC Specifications

12.1 Oscillator/Clock

Crystal: Parallel Resonant, Fundamental Mode, 24 MHz \pm 100ppm.

External Clock: 50% Duty cycle \pm 10%, 24 MHz \pm 100ppm, Jitter < 100ps rms.

12.1.1 SMBus Interface:

The SMSC Switching Hub conforms to all voltage, power, and timing characteristics and specifications as set forth in the SMBus 1.0 Specification for Slave-Only devices (except as noted in [Section 7.3](#), "SMBus Slave Interface").

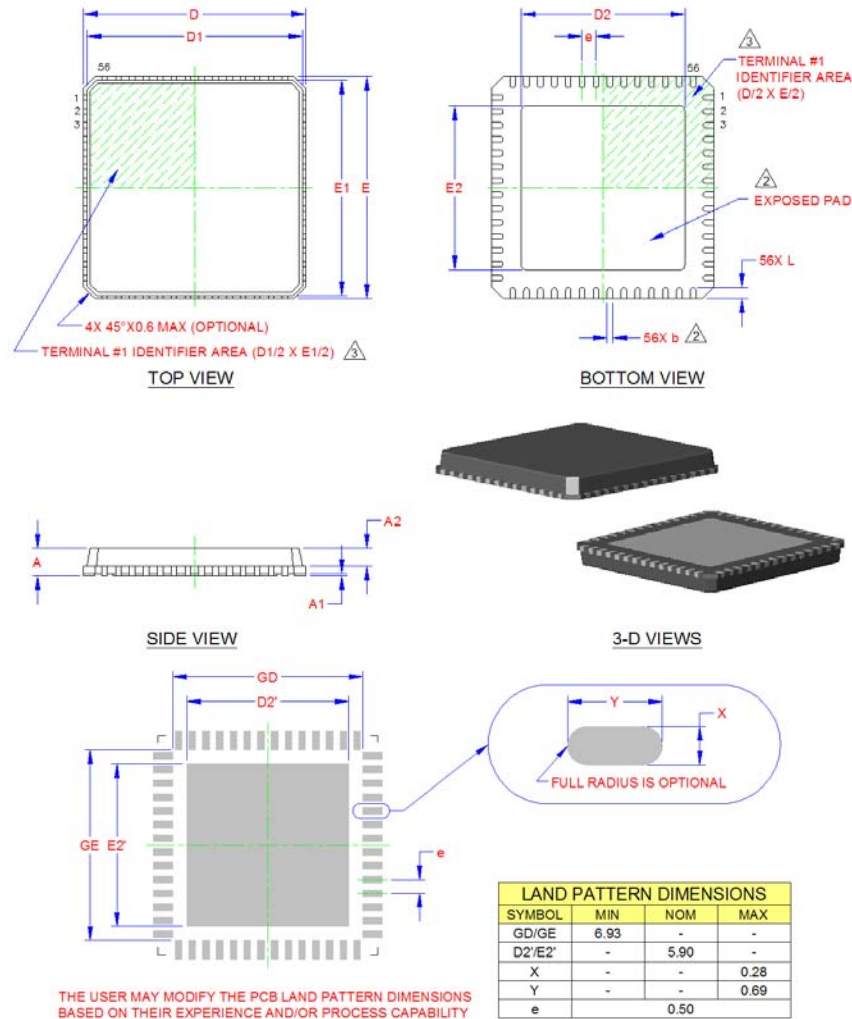
12.1.2 I2C EEPROM:

Frequency is fixed at 58.6 KHz \pm 20%.

12.1.3 USB 2.0

The Hub conforms to all voltage, power, and timing characteristics and specifications as set forth in the USB 2.0 Specification which is available at the www.usb.org web site. Please refer to the USB Specification for more information.

Chapter 13 Package Outline



RECOMMENDED PCB LAND PATTERN

COMMON DIMENSIONS					
SYMBOL	MIN	NOM	MAX	NOTE	REMARK
A	0.70	-	1.00	-	OVERALL PACKAGE HEIGHT
A1	0	0.02	0.05	-	STANDOFF
A2	-	-	0.90	-	MOLD CAP THICKNESS
D/E	7.85	8.00	8.15	-	XY BODY SIZE
D1/E1	7.55	-	7.95	-	XY MOLD CAP SIZE
D2/E2	5.75	5.90	6.05	2	XY EXPOSED PAD SIZE (USB2524)
L	0.30	-	0.50	-	TERMINAL LENGTH
b	0.18	0.25	0.30	2	TERMINAL WIDTH
e	-	0.50 BSC	-	-	TERMINAL PITCH

NOTES:

- ALL DIMENSIONS ARE IN MILLIMETER.
- POSITION TOLERANCE OF EACH TERMINAL AND EXPOSED PAD IS $\pm 0.05\text{mm}$ AT MAXIMUM MATERIAL CONDITION. DIMENSIONS "b" APPLIES TO PLATED TERMINALS AND IT IS MEASURED BETWEEN 0.15 AND 0.30 mm FROM THE TERMINAL TIP.
- DETAILS OF TERMINAL #1 IDENTIFIER ARE OPTIONAL BUT MUST BE LOCATED WITHIN THE AREA INDICATED.

Figure 13.1 USB2524 56-Pin QFN Package Outline and Parameters