

KVR400S8R3AL/512

512MB 64M x 72-Bit DDR400 CL3

Registered 184-Pin ECC DIMM

DESCRIPTION:

This document describes ValueRAM's 64M x 72-bit (512MB) DDR400 CL3 SDRAM (Synchronous DRAM) low-profile "single rank" registered ECC memory module. The components on this module include nine 64M x 8-bit (16M x 8-bit x 4 Bank) DDR400 SDRAM in FBGA packages. This 184-pin DIMM uses gold contact fingers and requires +2.5V. The electrical and mechanical specifications are as follows:

FEATURES:

- | | |
|---------------------------------|-------------------------------|
| ✓ Clock Cycle Time (tCK) | 5ns (min.) / 10ns (max.) |
| ✓ Row Cycle Time (tRC) | 55ns (min.) |
| ✓ Refresh Row Cycle Time (tRFC) | 70ns (min.) |
| ✓ Row Active Time (tRAS) | 40ns (min.) / 70,000ns (max.) |
| ✓ Single Power Supply of | +2.6V (+/- .1V) |
| ✓ Power | 4.082 W operating |
| ✓ UL Rating | 94 V - 0 |

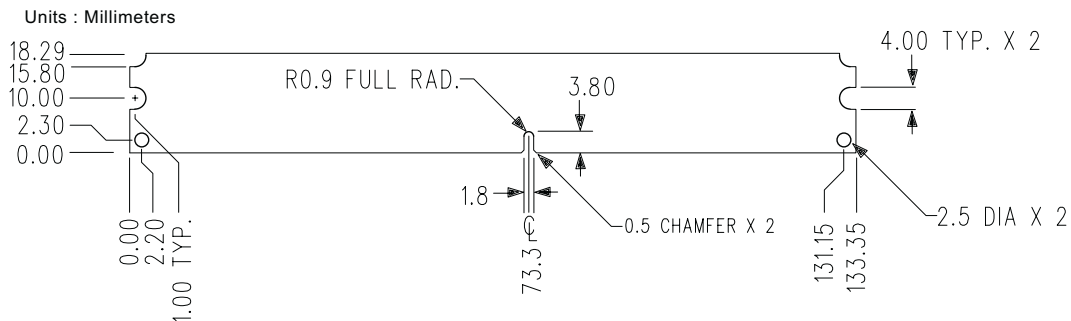
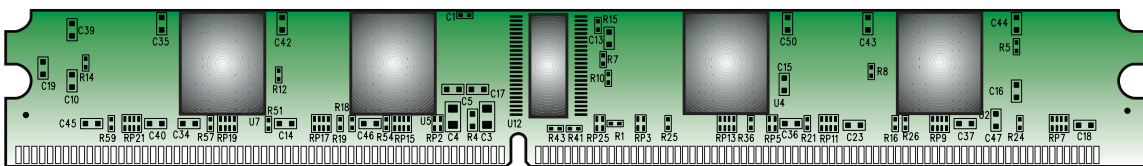
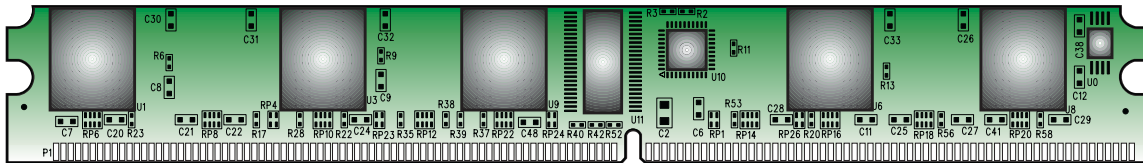


Figure 1: KVR400S8R3AL/512 184-Pin DIMM