

Popular Type IR Detecting Unit for Remote Controls

Features

- Holderless shape
- Compact package
- Screen type that eliminates electromagnetic induction noise(Double mold)

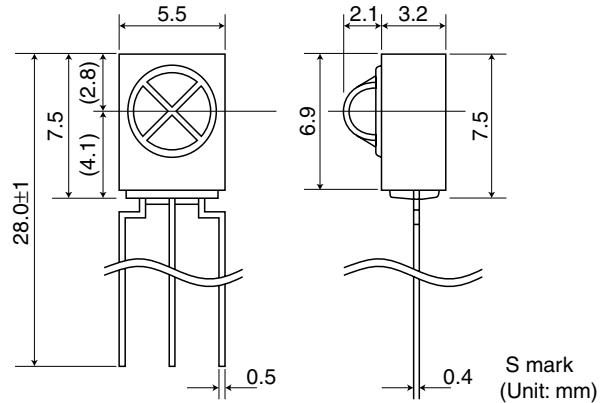
Specifications

(Ta=25 °C, Vcc=+5 V)

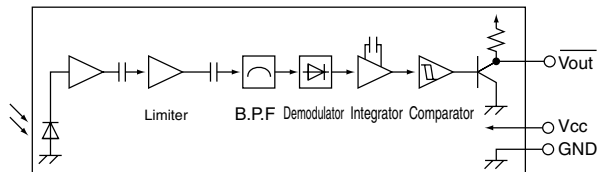
Parameter	Symbol	Characteristics
Supply voltage	V _{cc}	4.5 to 5.5 V
Dissipation current	I _{cc}	MAX. 1.5 mA
Output voltage	HIGH level	V _{OH} MIN. V _{cc} -0.5 V
	LOW level	V _{OL} MAX. 0.45 V
Detection distance	L	MIN. 8 m
Operating temperature	T _{opr}	-10 to +70 °C
BPF center frequency	f _o	*See the table below.

BPF center frequency	Model
40 kHz	GP1UX50QS
36 kHz	GP1UX500QS
38 kHz	GP1UX501QS
36.7 kHz	GP1UX502QS

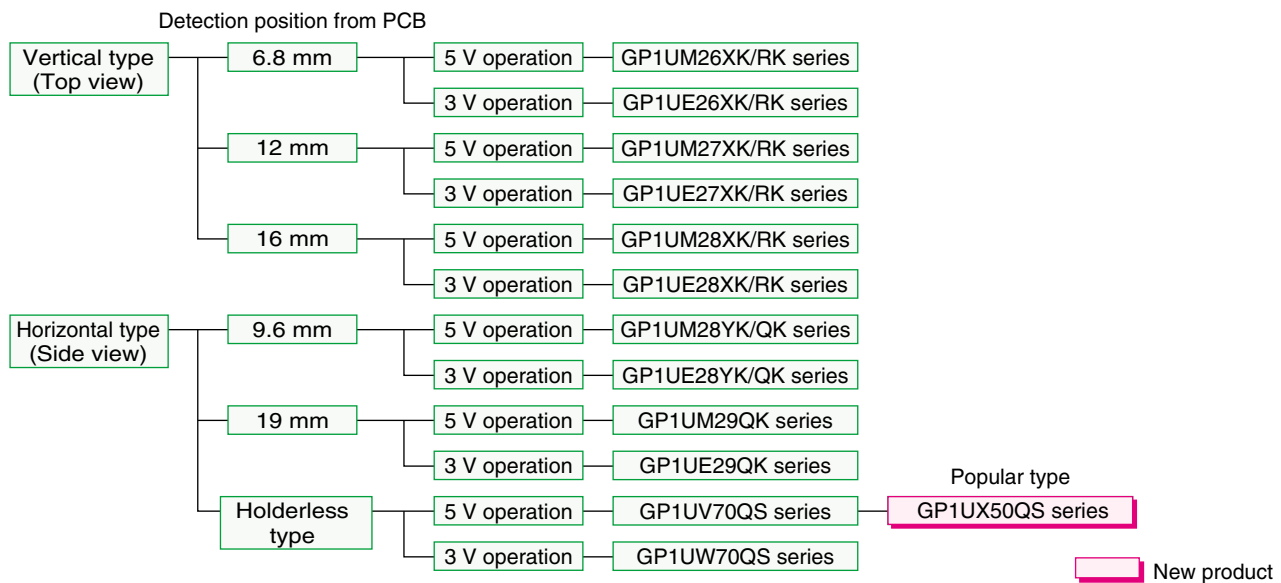
Outline Dimensions



Block Diagram



Line-up of IR Detecting Units for Remote Controls



Notice:

- In the absence of confirmation by device specification sheets, SHARP takes no responsibility for any defects that may occur in equipment using any SHARP devices shown in catalogs, data books, etc. Contact SHARP in order to obtain the latest device specification sheets before using any SHARP devices.
- Specifications, model names and availabilities are subject to change without notice for improvement.