

REVISIONS

LTR	DESCRIPTION	DATE (YR-MO-DA)	APPROVED
A	Drawing updated to reflect current requirements. Editorial changes throughout. - gap	01-02-12	Raymond Monnin
B	Boilerplate update and part of five year review. tcr	07-01-31	Joseph Rodenbeck

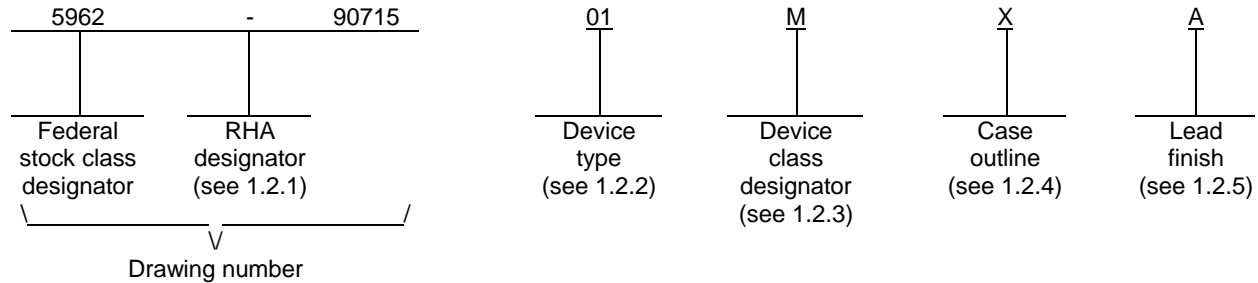
THE ORIGINAL FIRST PAGE OF THIS DRAWING HAS BEEN REPLACED.

REV																					
SHEET																					
REV	B	B	B	B	B	B	B	B	B	B											
SHEET	15	16	17	18	19	20	21	22	23	24											
REV STATUS OF SHEETS	REV			B	B	B	B	B	B	B	B	B	B	B	B	B	B	B	B	B	
	SHEET			1	2	3	4	5	6	7	8	9	10	11	12	13	14				
PMIC N/A	PREPARED BY James E. Jamison					<p align="center">DEFENSE SUPPLY CENTER COLUMBUS COLUMBUS, OHIO 43218-3990 http://www.dsccl.dla.mil</p> <p>MICROCIRCUIT, MEMORY, DIGITAL, CMOS 4K X 9 FIFO, MONOLITHIC SILICON</p>															
<p align="center">STANDARD MICROCIRCUIT DRAWING</p> <p>THIS DRAWING IS AVAILABLE FOR USE BY ALL DEPARTMENTS AND AGENCIES OF THE DEPARTMENT OF DEFENSE</p> <p align="center">AMSC N/A</p>	CHECKED BY Wm J. Johnson																				
	APPROVED BY Michael A. Frye																				
	DRAWING APPROVAL DATE 92-08-04																				
	REVISION LEVEL B					SIZE A	CAGE CODE 67268	5962-90715													
						SHEET 1 OF 24															

1. SCOPE

1.1 Scope. This drawing documents two product assurance class levels consisting of high reliability (device classes Q and M) and space application (device class V). A choice of case outlines and lead finishes are available and are reflected in the Part or Identifying Number (PIN). When available, a choice of Radiation Hardness Assurance (RHA) levels are reflected in the PIN.

1.2 PIN. The PIN is as shown in the following example:



1.2.1 RHA designator. Device classes Q and V RHA marked devices meet the MIL-PRF-38535 specified RHA levels and are marked with the appropriate RHA designator. Device class M RHA marked devices meet the MIL-PRF-38535, appendix A specified RHA levels and are marked with the appropriate RHA designator. A dash (-) indicates a non-RHA device.

1.2.2 Device type(s). The device type(s) identify the circuit function as follows:

<u>Device type</u>	<u>Generic number</u>	<u>Circuit function</u>	<u>Access time</u>
01	7204S120	4K X 9 FIFO	120 ns
02	7204S80	4K X 9 FIFO	80 ns
03	7C432-65, 7204S65	4K X 9 FIFO	65 ns
04	7C432-50, 7204S50	4K X 9 FIFO	50 ns
05	7C433-40, 7204S40	4K X 9 FIFO	40 ns
06	7C433-30, 7204A-30	4K X 9 FIFO	30 ns
07	7204A-20	4K X 9 FIFO	20 ns

1.2.3 Device class designator. The device class designator is a single letter identifying the product assurance level as follows:

<u>Device class</u>	<u>Device requirements documentation</u>
M	Vendor self-certification to the requirements for MIL-STD-883 compliant, non-JAN class level B microcircuits in accordance with MIL-PRF-38535, appendix A
Q or V	Certification and qualification to MIL-PRF-38535

1.2.4 Case outline(s). The case outline(s) are as designated in MIL-STD-1835 and as follows:

<u>Outline letter</u>	<u>Descriptive designator</u>	<u>Terminals</u>	<u>Package style</u>
U	CDIP3-T28 or GDIP4-T28	28	Dual-in-line
X	GDIP1-T28 or CDIP2-T28	28	Dual-in-line
Y	GDFF2-F28	28	Flat pack
Z	CQCC1-N32	32	Rectangular leadless chip carrier

1.2.5 Lead finish. The lead finish is as specified in MIL-PRF-38535 for device classes Q and V or MIL-PRF-38535, appendix A for device class M.

STANDARD MICROCIRCUIT DRAWING DEFENSE SUPPLY CENTER COLUMBUS COLUMBUS, OHIO 43218-3990	SIZE A		5962-90715
		REVISION LEVEL B	SHEET 2

1.3 Absolute maximum ratings. 1/

Supply voltage range to ground potential (V_{CC}).....	-0.5 V dc to +7.0 V dc
DC voltage range applied to outputs in high-Z state	-0.5 V dc to +7.0 V dc
DC input voltage range (V_{IN})	-0.5 V dc to $V_{CC} + 5$ V dc
DC output current.....	20 mA
Maximum power dissipation	1.0 W
Lead temperature (soldering, 10 seconds).....	+260°C
Thermal resistance, junction-to-case (θ_{JC})	See MIL-STD-1835
Junction temperature (T_J).....	+175°C
Storage temperature range (T_{STG})	-65°C to +150°C
Temperature under bias range.....	-55°C to +125°C

1.4 Recommended operating conditions.

Supply voltage range (V_{CC})	+4.5 V dc minimum to +5.5 V dc maximum
Ground voltage (GND)	0 V dc
Input high voltage (V_{IH}).....	2.2 V dc minimum 2/
Input low voltage (V_{IL})	0.8 V dc maximum
Case operating temperature range (T_C)	-55°C to +125°C

2. APPLICABLE DOCUMENTS

2.1 Government specification, standards, and handbooks. The following specification, standards, and handbooks form a part of this drawing to the extent specified herein. Unless otherwise specified, the issues of these documents are those cited in the solicitation or contract.

DEPARTMENT OF DEFENSE SPECIFICATION

MIL-PRF-38535 - Integrated Circuits, Manufacturing, General Specification for.

DEPARTMENT OF DEFENSE STANDARDS

MIL-STD-883 - Test Method Standard Microcircuits.
 MIL-STD-1835 - Interface Standard Electronic Component Case Outlines.

DEPARTMENT OF DEFENSE HANDBOOKS

MIL-HDBK-103 - List of Standard Microcircuit Drawings.
 MIL-HDBK-780 - Standard Microcircuit Drawings.

(Copies of these documents are available online at <http://assist.daps.dla.mil/quicksearch/> or <http://assist.daps.dla.mil> or from the Standardization Document Order Desk, 700 Robbins Avenue, Building 4D, Philadelphia, PA 19111-5094.)

1/ Stresses above the absolute maximum rating may cause permanent damage to the device. Extended operation at the maximum levels may degrade performance and affect reliability.

2/ V_{IH} is 2.2 V minimum for all input pins except \overline{XI} which is 3.5 V minimum.

STANDARD MICROCIRCUIT DRAWING DEFENSE SUPPLY CENTER COLUMBUS COLUMBUS, OHIO 43218-3990	SIZE A		5962-90715
		REVISION LEVEL B	SHEET 3

2.2 Non-Government publications. The following documents form a part of this document to the extent specified herein. Unless otherwise specified, the issues of the documents are the issues of the documents cited in the solicitation.

ELECTRONICS INDUSTRIES ALLIANCE (EIA)

JEDEC Standard EIA/JESD 78 - IC Latch-Up Test.

(Applications for copies should be addressed to the Electronics Industries Alliance, 2500 Wilson Boulevard, Arlington, VA 22201; <http://www.jedec.org>.)

(Non-Government standards and other publications are normally available from the organizations that prepare or distribute the documents. These documents also may be available in or through libraries or other informational services.)

2.3 Order of precedence. In the event of a conflict between the text of this drawing and the references cited herein, the text of this drawing takes precedence. Nothing in this document, however, supersedes applicable laws and regulations unless a specific exemption has been obtained.

3. REQUIREMENTS

3.1 Item requirements. The individual item requirements for device classes Q and V shall be in accordance with MIL-PRF-38535 and as specified herein or as modified in the device manufacturer's Quality Management (QM) plan. The modification in the QM plan shall not affect the form, fit, or function as described herein. The individual item requirements for device class M shall be in accordance with MIL-PRF-38535, appendix A for non-JAN class level B devices and as specified herein.

3.2 Design, construction, and physical dimensions. The design, construction, and physical dimensions shall be as specified in MIL-PRF-38535 and herein for device classes Q and V or MIL-PRF-38535, appendix A and herein for device class M.

3.2.1 Case outlines. The case outlines shall be in accordance with 1.2.4 herein.

3.2.2 Terminal connections. The terminal connections shall be as specified on figure 1.

3.2.3 Truth tables. The truth tables shall be as specified on figure 2.

3.2.4 Die overcoat. Polyimide and silicone coatings are allowable as an overcoat on the die for alpha particle protection only. Each coated microcircuit inspection lot (see inspection lot as defined in MIL-PRF-38535) shall be subjected to and pass the internal moisture content test at 5000 ppm (see method 1018 of MIL-STD-883). The frequency of the internal water vapor testing shall not be decreased unless approved by the preparing activity. Samples may be pulled anytime after seal.

3.3 Electrical performance characteristics and postirradiation parameter limits. Unless otherwise specified herein, the electrical performance characteristics and postirradiation parameter limits are as specified in table I and shall apply over the full case operating temperature range.

3.4 Electrical test requirements. The electrical test requirements shall be the subgroups specified in table IIA. The electrical tests for each subgroup are defined in table I.

3.5 Marking. The part shall be marked with the PIN listed in 1.2 herein. In addition, the manufacturer's PIN may also be marked. For packages where marking of the entire SMD PIN number is not feasible due to space limitations, the manufacturer has the option of not marking the "5962-" on the device. For RHA product using this option, the RHA designator shall still be marked. Marking for device classes Q and V shall be in accordance with MIL-PRF-38535. Marking for device class M shall be in accordance with MIL-PRF-38535, appendix A.

3.5.1 Certification/compliance mark. The certification mark for device classes Q and V shall be a "QML" or "Q" as required in MIL-PRF-38535. The compliance mark for device class M shall be a "C" as required in MIL-PRF-38535, appendix A.

STANDARD MICROCIRCUIT DRAWING DEFENSE SUPPLY CENTER COLUMBUS COLUMBUS, OHIO 43218-3990	SIZE A		5962-90715
		REVISION LEVEL B	SHEET 4

3.6 Certificate of compliance. For device classes Q and V, a certificate of compliance shall be required from a QML-38535 listed manufacturer in order to supply to the requirements of this drawing (see 6.6.1 herein). For device class M, a certificate of compliance shall be required from a manufacturer in order to be listed as an approved source of supply in MIL-HDBK-103 (see 6.6.2 herein). The certificate of compliance submitted to DSCC-VA prior to listing as an approved source of supply for this drawing shall affirm that the manufacturer's product meets, for device classes Q and V, the requirements of MIL-PRF-38535 and herein or for device class M, the requirements of MIL-PRF-38535, appendix A and herein.

3.7 Certificate of conformance. A certificate of conformance as required for device classes Q and V in MIL-PRF-38535 or for device class M in MIL-PRF-38535, appendix A shall be provided with each lot of microcircuits delivered to this drawing.

3.8 Notification of change for device class M. For device class M, notification to DSCC-VA of change of product (see 6.2 herein) involving devices acquired to this drawing is required for any change that affects this drawing.

3.9 Verification and review for device class M. For device class M, DSCC, DSCC's agent, and the acquiring activity retain the option to review the manufacturer's facility and applicable required documentation. Offshore documentation shall be made available onshore at the option of the reviewer.

3.10 Microcircuit group assignment for device class M. Device class M devices covered by this drawing shall be in microcircuit group number 105 (see MIL-PRF-38535, appendix A).

4. VERIFICATION

4.1 Sampling and inspection. For device classes Q and V, sampling and inspection procedures shall be in accordance with MIL-PRF-38535 or as modified in the device manufacturer's Quality Management (QM) plan. The modification in the QM plan shall not affect the form, fit, or function as described herein. For device class M, sampling and inspection procedures shall be in accordance with MIL-PRF-38535, appendix A.

4.2 Screening. For device classes Q and V, screening shall be in accordance with MIL-PRF-38535, and shall be conducted on all devices prior to qualification and technology conformance inspection. For device class M, screening shall be in accordance with method 5004 of MIL-STD-883, and shall be conducted on all devices prior to quality conformance inspection.

4.2.1 Additional criteria for device class M.

a. Burn-in test, method 1015 of MIL-STD-883.

(1) Test condition C or D. The test circuit shall be maintained by the manufacturer under document revision level control and shall be made available to the preparing or acquiring activity upon request. The test circuit shall specify the inputs, outputs, biases, and power dissipation, as applicable, in accordance with the intent specified in method 1015.

(2) $T_A = +125^\circ\text{C}$, minimum.

b. Interim and final electrical test parameters shall be as specified in table II herein.

4.2.2 Additional criteria for device classes Q and V.

a. The burn-in test duration, test condition and test temperature, or approved alternatives shall be as specified in the device manufacturer's QM plan in accordance with MIL-PRF-38535. The burn-in test circuit shall be maintained under document revision level control of the device manufacturer's Technology Review Board (TRB) in accordance with MIL-PRF-38535 and shall be made available to the acquiring or preparing activity upon request. The test circuit shall specify the inputs, outputs, biases, and power dissipation, as applicable, in accordance with the intent specified in method 1015 of MIL-STD-883.

b. Interim and final electrical test parameters shall be as specified in table II herein.

c. Additional screening for device class V beyond the requirements of device class Q shall be as specified in MIL-PRF-38535, appendix B.

STANDARD MICROCIRCUIT DRAWING DEFENSE SUPPLY CENTER COLUMBUS COLUMBUS, OHIO 43218-3990	SIZE A		5962-90715
		REVISION LEVEL B	SHEET 5

TABLE I. Electrical performance characteristics.

Test	Symbol	Conditions ^{1/} -55°C ≤ T _C ≤ +125°C 4.5 V ≤ V _{CC} ≤ 5.5 V unless otherwise specified	Group A subgroups	Device type	Limits		Unit
					Min	Max	
Output high voltage	V _{OH}	V _{CC} = 4.5 V, I _{OH} = -2.0 mA V _{IN} = V _{IH} , V _{IL}	1, 2, 3	All	2.4		V
Output low voltage	V _{OL}	V _{CC} = 4.5 V, I _{OL} = 8.0 mA V _{IN} = V _{IH} , V _{IL}	1, 2, 3	All		0.4	V
Input high voltage	V _{IH} <u>2/ 3/</u>		1, 2, 3	All	2.2		V
Input low voltage	V _{IL} <u>2/</u>		1, 2, 3	All		0.8	V
Input leakage current	I _{IX}	V _{IN} = 5.5 V to GND	1, 2, 3	All	-10	10	μA
Output leakage current	I _{OZ}	V _{CC} = 5.5 V, \overline{R} = V _{IH} ; V _{OUT} = 5.5 V and GND	1, 2, 3	All	-10	10	μA
Operating supply current	I _{CC1}	V _{CC} = 5.5 V, I _{OUT} = 0 mA f = 1/t _{RC} \overline{W} , \overline{R} , D ₀ - D ₈ pins are toggling between 0 V and 3 V \overline{FF} , $\overline{XO}/\overline{HF}$ = 0 mA Q ₀ - Q ₈ = 0 mA \overline{MR} , $\overline{FL}/\overline{RT}$ = 3.0 V	1, 2, 3	01-05		150	mA
				06		155	
				07		200	
Standby current	I _{CC2}	V _{CC} = 5.5 V, I _{OUT} = 0 mA All inputs = V _{IH} \overline{FF} , $\overline{XO}/\overline{HF}$ = 0 mA Q ₀ - Q ₈ = 0 mA	1, 2, 3	All		30	mA
Power down current	I _{CC3}	V _{CC} = 5.5 V, I _{OUT} = 0 mA All inputs = V _{CC} - 0.2 V \overline{FF} , $\overline{XO}/\overline{HF}$ = 0 mA Q ₀ - Q ₈ = 0 mA	1, 2, 3	All		25	mA
Input capacitance	C _{IN} <u>4/</u>	V _{CC} = 5.0 V, V _{IN} = 0 V T _A = +25°C, f = 1 MHz See 4.4.1e	4	All		8	pF
Output capacitance	C _{OUT} <u>4/</u>	V _{CC} = 5.0 V, V _{OUT} = 0 V T _A = +25°C, f = 1 MHz See 4.4.1e	4	All		12	pF
Functional tests		See 4.4.1c	7, 8	All			

See footnotes at end of table.

STANDARD MICROCIRCUIT DRAWING DEFENSE SUPPLY CENTER COLUMBUS COLUMBUS, OHIO 43218-3990	SIZE A		5962-90715
		REVISION LEVEL B	SHEET 6

TABLE I. Electrical performance characteristics - continued.

Test	Symbol	Conditions ^{1/} -55°C ≤ T _C ≤ +125°C 4.5 V ≤ V _{CC} ≤ 5.5 V unless otherwise specified	Group A subgroups	Device type	Limits		Unit
					Min	Max	
Read cycle time	t _{RC}	See figure 3	9, 10, 11	01	140		ns
				02	100		
				03	80		
				04	65		
				05	50		
				06	40		
				07	30		
Access time	t _A		9, 10, 11	01		120	ns
				02		80	
				03		65	
				04		50	
				05		40	
				06		30	
				07		20	
Read recovery time	t _{RR}		9, 10, 11	01, 02	20		ns
				03, 04	15		
				05-07	10		
Read low to low-Z ^{4/, 5/}	t _{LZR}		9, 10, 11	All	3		ns
Read high to data valid	t _{DVR}		9, 10, 11	All	3		ns
Read high to high-Z ^{4/, 5/}	t _{HZR}		9, 10, 11	01		35	ns
				02-04		30	
				05		25	
				06		20	
				07		15	
Read pulse width ^{6/}	t _{PR}		9, 10, 11	01	120		ns
				02	80		
				03	65		
				04	50		
				05	40		
				06	30		
				07	20		
Write cycle time	t _{WC}		9, 10, 11	01	140		ns
				02	100		
				03	80		
				04	65		
				05	50		
				06	40		
				07	30		
Write pulse width ^{6/}	t _{PW}		9, 10, 11	01	120		ns
				02	80		
				03	65		
				04	50		
				05	40		
				06	30		
				07	20		

See footnotes at end of table.

STANDARD MICROCIRCUIT DRAWING DEFENSE SUPPLY CENTER COLUMBUS COLUMBUS, OHIO 43218-3990	SIZE A		5962-90715
		REVISION LEVEL B	SHEET 7

TABLE I. Electrical performance characteristics - continued.

Test	Symbol	Conditions ^{1/} -55°C ≤ T _C ≤ +125°C 4.5 V ≤ V _{CC} ≤ 5.5 V unless otherwise specified	Group A subgroups	Device type	Limits		Unit	
					Min	Max		
Write high to low-Z <u>4/</u> , <u>5/</u> , <u>7/</u>	t _{HWZ}	See figure 3	9, 10, 11	All	5		ns	
Write recovery time	t _{WR}		9, 10, 11	01, 02	03, 04	15		ns
					05-07	10		
					01, 02	40		
Data setup time	t _{SD}		9, 10, 11	03, 04	30			
				05	20			
				06	18			
				07	12			
Data hold time	t _{HD}		9, 10, 11	01-03	10		ns	
				04	5			
				05-07	0			
Master reset cycle time	t _{MRSC}		9, 10, 11	01	140		ns	
		02		100				
		03		80				
		04		65				
		05		50				
		06		40				
		07		30				
Master reset pulse width <u>6/</u>	t _{PMR}	9, 10, 11	01	120		ns		
			02	80				
			03	65				
			04	50				
			05	40				
			06	30				
			07	20				
Master reset recovery time	t _{RMR}	9, 10, 11	01, 02	20		ns		
			03, 04	15				
			05-07	10				
Read high to master reset high <u>8/</u>	t _{RPW}	9, 10, 11	01	120		ns		
			02	80				
			03	65				
			04	50				
			05	40				
			06	30				
			07	20				
Write high to master reset high <u>8/</u>	t _{WPW}	9, 10, 11	01	120		ns		
			02	80				
			03	65				
			04	50				
			05	40				
			06	30				
			07	20				

See footnotes at end of table.

STANDARD MICROCIRCUIT DRAWING DEFENSE SUPPLY CENTER COLUMBUS COLUMBUS, OHIO 43218-3990	SIZE A		5962-90715
		REVISION LEVEL B	SHEET 8

TABLE I. Electrical performance characteristics - continued.

Test	Symbol	Conditions ^{1/} -55°C ≤ T _C ≤ +125°C 4.5 V ≤ V _{CC} ≤ 5.5 V unless otherwise specified	Group A subgroups	Device type	Limits		Unit
					Min	Max	
Retransmit cycle time	t _{RTC}	See figure 3	9, 10, 11	01	140		ns
				02	100		
				03	80		
				04	65		
				05	50		
				06	45		
				07	45		
Retransmit pulse width 6/	t _{PRT}		9, 10, 11	01	120		ns
				02	80		
				03	65		
				04	50		
				05	40		
				06	35		
				07	35		
Retransmit recovery time	t _{RTR}		9, 10, 11	01, 02	20		ns
				03, 04	15		
				05-07	10		
Master reset to empty flag low	t _{EFL}		9, 10, 11	01		140	ns
				02		100	
				03		80	
				04		65	
				05		50	
				06		40	
				07		30	
Master reset to half- full flag high	t _{HFH}		9, 10, 11	01		140	ns
				02		100	
				03		80	
				04		65	
				05		50	
				06		40	
				07		30	
Master reset to full flag high	t _{FFH}		9, 10, 11	01		140	ns
				02		100	
				03		80	
				04		65	
				05		50	
				06		40	
				07		30	
Read low to empty flag low	t _{REF}		9, 10, 11	01-03		60	ns
				04		45	
				05		35	
				06		30	
				07		28	

See footnotes at end of table.

STANDARD MICROCIRCUIT DRAWING DEFENSE SUPPLY CENTER COLUMBUS COLUMBUS, OHIO 43218-3990	SIZE A		5962-90715
		REVISION LEVEL B	SHEET 9

TABLE I. Electrical performance characteristics - continued.

Test	Symbol	Conditions ^{1/} -55°C ≤ T _C ≤ +125°C 4.5 V ≤ V _{CC} ≤ 5.5 V unless otherwise specified	Group A subgroups	Device type	Limits		Unit
					Min	Max	
Read high to full flag high	t _{RFF}	See figure 3	9, 10, 11	01-03		60	ns
				04		45	
				05		35	
				06		30	
				07		28	
Write high to empty flag high	t _{WEF}		9, 10, 11	01-03		60	ns
				04		45	
				05		35	
				06		30	
				07		28	
Write low to full flag low	t _{WFF}		9, 10, 11	01-03		60	ns
				04		45	
				05		35	
				06		30	
				07		28	
Write low to half-full flag low	t _{WHF}	9, 10, 11	01		140	ns	
			02		100		
			03		80		
			04		65		
			05		50		
			06		40		
			07		30		
Read high to half-full flag high	t _{RHF}	9, 10, 11	01		140	ns	
			02		100		
			03		85		
			04		65		
			05		50		
			06		40		
			07		30		
Effective read pulse width after empty flag high	t _{RPE}	9, 10, 11	01	120		ns	
			02	80			
			03	65			
			04	50			
			05	40			
			06	30			
			07	20			
Effective write pulse width after full flag high	t _{WPF}	9, 10, 11	01	120		ns	
			02	80			
			03	65			
			04	50			
			05	40			
			06	30			
			07	20			

See footnotes at end of table.

STANDARD MICROCIRCUIT DRAWING DEFENSE SUPPLY CENTER COLUMBUS COLUMBUS, OHIO 43218-3990	SIZE A		5962-90715
		REVISION LEVEL B	SHEET 10

TABLE I. Electrical performance characteristics - continued.

Test	Symbol	Conditions ^{1/} -55°C ≤ T _C ≤ +125°C 4.5 V ≤ V _{CC} ≤ 5.5 V unless otherwise specified	Group A subgroups	Device type	Limits		Unit
					Min	Max	
Expansion out low delay from clock ^{4/}	t _{XOL}	See figure 3	9, 10, 11	01		120	ns
				02		80	
				03		65	
				04		50	
				05		40	
				06		30	
				07		20	
Expansion out high delay from clock ^{4/}	t _{XOH}	See figure 3	9, 10, 11	01		120	ns
				02		80	
				03		65	
				04		50	
				05		40	
				06		30	
				07		20	

- ^{1/} AC tests are performed with input rise and fall times of 5 ns or less, timing reference levels of 1.5 V, input pulse levels of 0 to 3.0 V, and the output load in figure 4, circuit A.
- ^{2/} These are absolute values with respect to device ground and all overshoots due to system or tester noise are included.
- ^{3/} V_{IH} is 2.2 V minimum for all input pins except $\bar{X}1$ which is 3.5 V minimum.
- ^{4/} Tested initially and after any design or process changes that affect that parameter, and therefore shall be guaranteed to the limits specified in table I.
- ^{5/} Transition is measured at steady state high level -500 mV or steady-state low level +500 mV on the output from the 1.5 V level on the input, with output load figure 4 circuit B.
- ^{6/} Pulse widths less than minimum are not allowed.
- ^{7/} Only applies to read data flow-through mode.
- ^{8/} Values guaranteed by design and not currently tested.

STANDARD MICROCIRCUIT DRAWING DEFENSE SUPPLY CENTER COLUMBUS COLUMBUS, OHIO 43218-3990	SIZE A		5962-90715
		REVISION LEVEL B	SHEET 11

Device types	All	
Case outlines	U, X, and Y	Z
Terminal number	Terminal symbol	
1	\overline{W}	NC
2	D_8	\overline{W}
3	D_3	D_8
4	D_2	D_3
5	D_1	D_2
6	D_0	D_1
7	\overline{XI}	D_0
8	\overline{FF}	\overline{XI}
9	Q_0	\overline{FF}
10	Q_1	Q_0
11	Q_2	Q_1
12	Q_3	NC
13	Q_8	Q_2
14	GND	Q_3
15	\overline{R}	Q_8
16	Q_4	GND
17	Q_5	NC
18	Q_6	\overline{R}
19	Q_7	Q_4
20	$\overline{XO/HF}$	Q_5
21	\overline{EF}	Q_6
22	\overline{MR}	Q_7
23	$\overline{FL/RT}$	$\overline{XO/HF}$
24	D_7	\overline{EF}
25	D_6	\overline{MR}
26	D_5	$\overline{FL/RT}$
27	D_4	NC
28	V_{CC}	D_7
29	---	D_6
30	---	D_5
31	---	D_4
32	---	V_{CC}

NC = no connection

FIGURE 1. Terminal connections.

STANDARD MICROCIRCUIT DRAWING DEFENSE SUPPLY CENTER COLUMBUS COLUMBUS, OHIO 43218-3990	SIZE A		5962-90715
		REVISION LEVEL B	SHEET 12

Reset and retransmit
Single device configuration/width expansion mode

Mode	Inputs			Internal status		Outputs		
	\overline{MR}	\overline{RT}	\overline{XI}	Read pointer	Write pointer	\overline{EF}	\overline{FF}	\overline{HF}
Reset	0	X	0	Location zero	Location zero	0	1	1
Retransmit	1	0	0	Location zero	Unchanged	X	X	X
Read/write	1	1	0	Increment $\underline{1/}$	Increment $\underline{1/}$	X	X	X

$\underline{1/}$ Pointer will increment if flag is high.

Reset and first load truth table
Depth expansion/compound expansion mode

Mode	Inputs			Internal status		Outputs	
	\overline{MR}	\overline{FL}	\overline{XI}	Read pointer	Write pointer	\overline{EF}	\overline{FF}
Reset first device	0	0	$\underline{1/}$	Location zero	Location zero	0	1
Reset all other devices	0	1	$\underline{1/}$	Location zero	Location zero	0	1
Read/write	1	X	$\underline{1/}$	X	X	X	X

$\underline{1/}$ \overline{XI} is connected to \overline{XO} of previous device.

NOTE:

\overline{MR} = Reset input, $\overline{FL}/\overline{RT}$ = First load/retransmit \overline{EF} = Empty flag output,
 \overline{FF} = Full flag output, \overline{XI} = Expansion input, and \overline{HF} = Half-full flag output
 0 = Low level voltage
 1 = High level voltage
 X = Don't care

FIGURE 2. Truth tables.

STANDARD MICROCIRCUIT DRAWING DEFENSE SUPPLY CENTER COLUMBUS COLUMBUS, OHIO 43218-3990	SIZE A		5962-90715
		REVISION LEVEL B	SHEET 13

ASYNCHRONOUS READ AND WRITE TIMING DIAGRAM

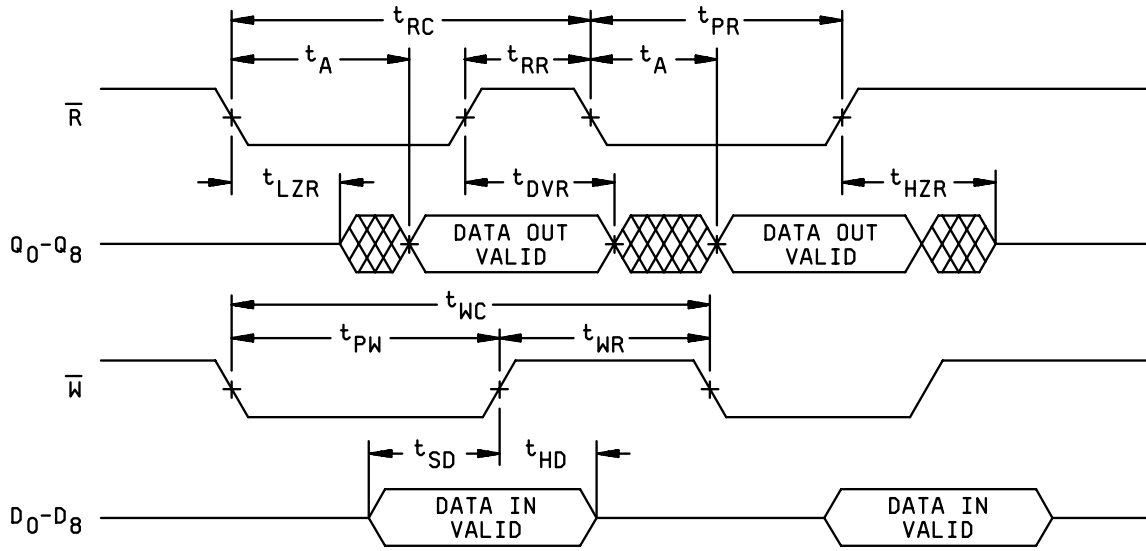
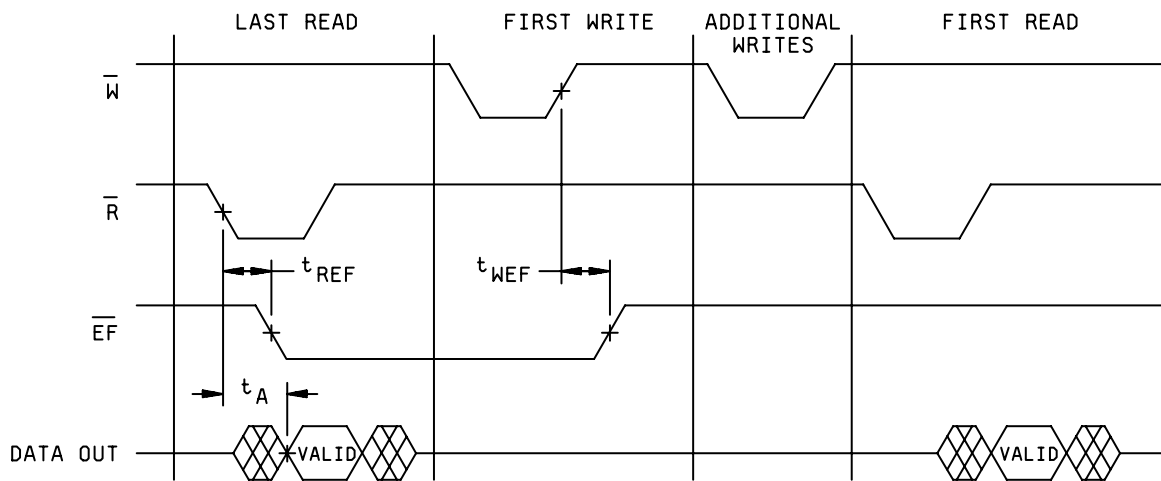


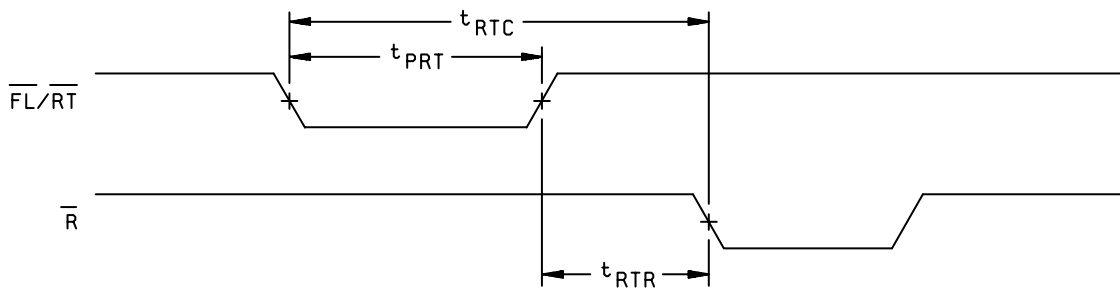
FIGURE 3. Timing waveforms.

STANDARD MICROCIRCUIT DRAWING DEFENSE SUPPLY CENTER COLUMBUS COLUMBUS, OHIO 43218-3990	SIZE A		5962-90715
		REVISION LEVEL B	SHEET 14

LAST READ TO FIRST WRITE EMPTY TIMING DIAGRAM



RETRANSMIT TIMING DIAGRAM



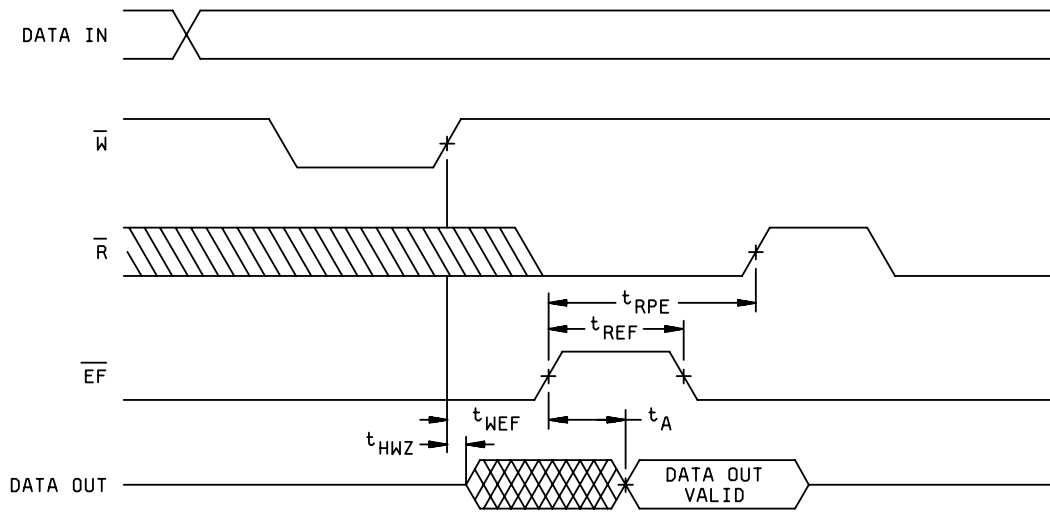
NOTES:

1. $t_{RTC} = t_{RT} + t_{RTR}$
2. \overline{EF} , \overline{HF} , and \overline{FF} may change state during retransmit as a result of the offset of the read and write pointers, but flags will be valid at t_{RTC} .

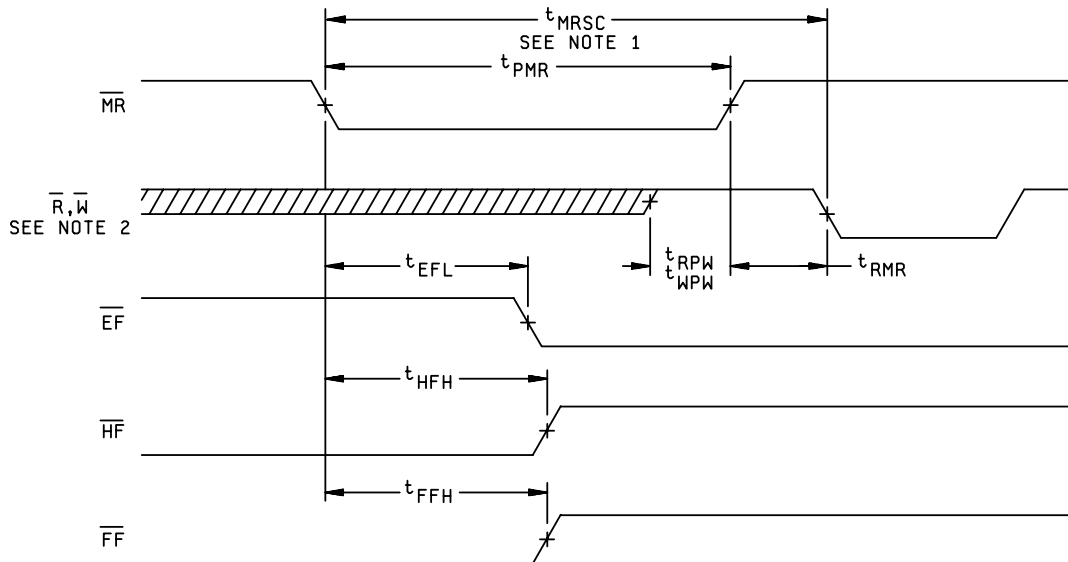
FIGURE 3. Timing waveforms – Continued.

STANDARD MICROCIRCUIT DRAWING DEFENSE SUPPLY CENTER COLUMBUS COLUMBUS, OHIO 43218-3990	SIZE A		5962-90715
		REVISION LEVEL B	SHEET 15

EMPTY FLAG AND READ BUBBLE-THROUGH MODE TIMING DIAGRAM



MASTER RESET TIMING DIAGRAM



NOTES:

1. $t_{MRSC} = t_{PMR} + t_{RMR}$.
2. \bar{W} and $\bar{R} = V_{IH}$ around the rising edge of \bar{MR} .

FIGURE 3. Timing waveforms – Continued.

STANDARD MICROCIRCUIT DRAWING DEFENSE SUPPLY CENTER COLUMBUS COLUMBUS, OHIO 43218-3990	SIZE A		5962-90715
		REVISION LEVEL B	SHEET 16

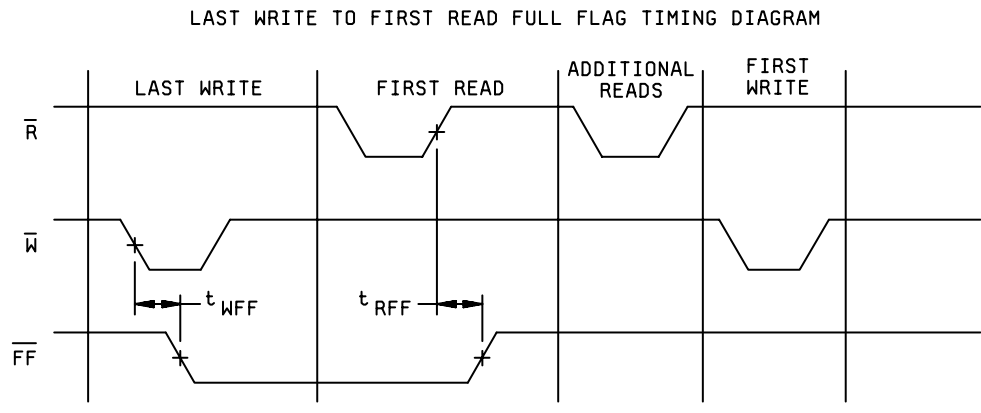
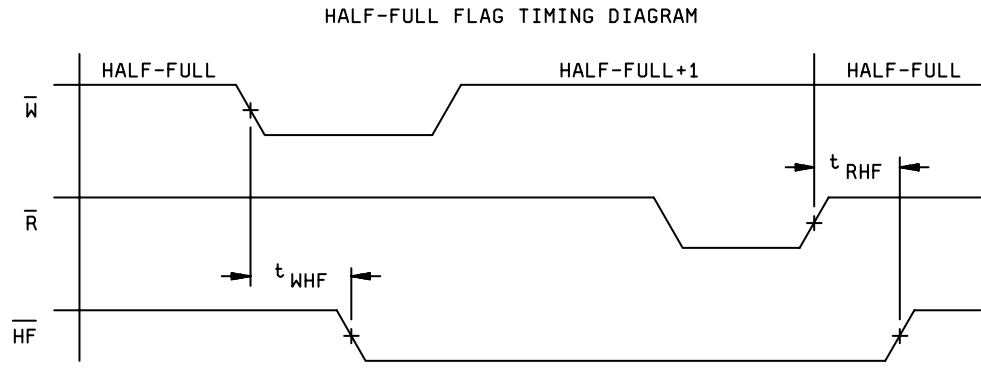


FIGURE 3. Timing waveforms – Continued.

STANDARD MICROCIRCUIT DRAWING DEFENSE SUPPLY CENTER COLUMBUS COLUMBUS, OHIO 43218-3990	SIZE A		5962-90715
		REVISION LEVEL B	SHEET 17

FULL FLAG AND WRITE BUBBLE-THROUGH MODE TIMING DIAGRAM

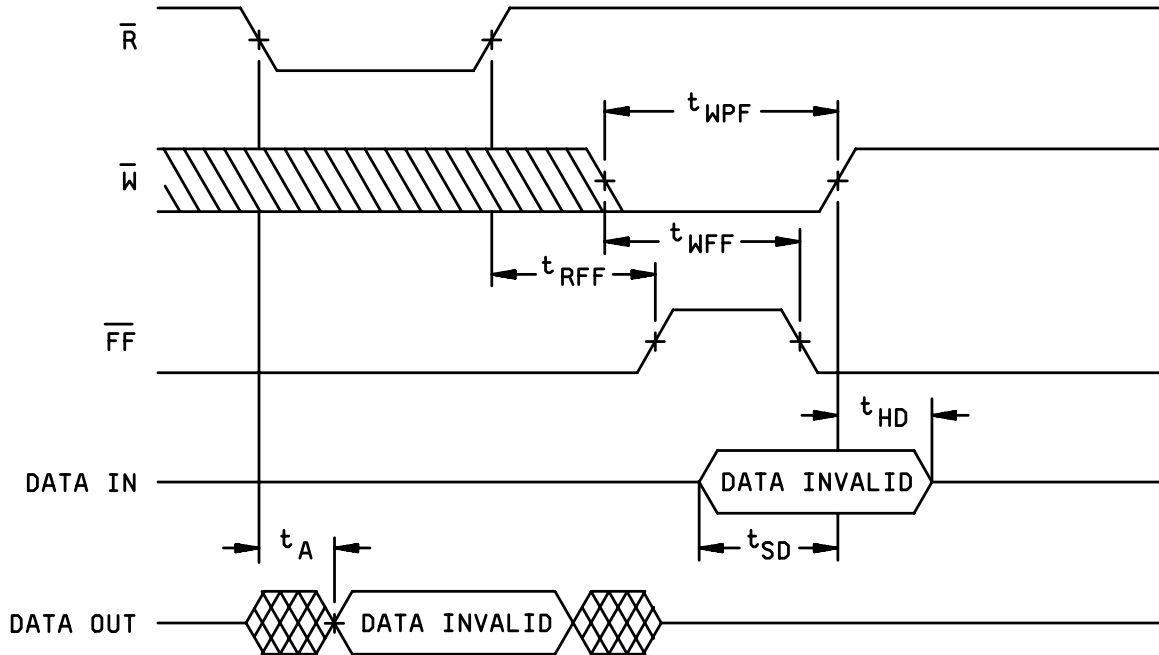
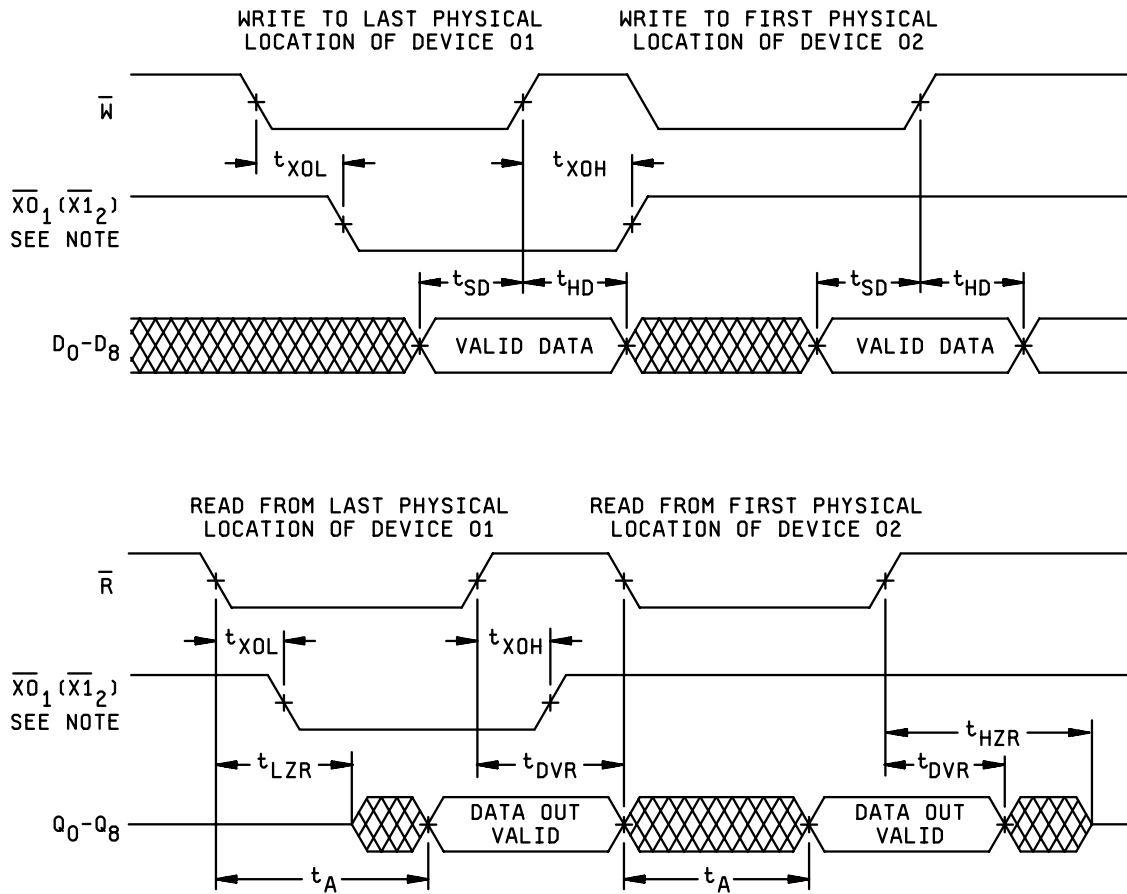


FIGURE 3. Timing waveforms – Continued.

STANDARD MICROCIRCUIT DRAWING DEFENSE SUPPLY CENTER COLUMBUS COLUMBUS, OHIO 43218-3990	SIZE A		5962-90715
		REVISION LEVEL B	SHEET 18

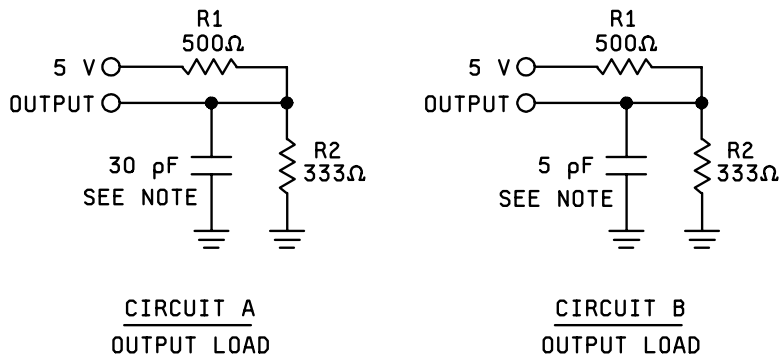
EXPANSION TIMING DIAGRAM



NOTE: Expansion out of device 1 (\overline{XO}_1) is connected to expansion in of device 2 (\overline{XI}_2).

FIGURE 3. Timing waveforms – Continued.

STANDARD MICROCIRCUIT DRAWING DEFENSE SUPPLY CENTER COLUMBUS COLUMBUS, OHIO 43218-3990	SIZE A		5962-90715
		REVISION LEVEL B	SHEET 19



Note: Including scope and jig (minimum values).

AC test conditions

Input pulse levels	GND to 3.0 V
Input rise and fall times	≤ 5 ns
Input timing reference levels	1.5 V
Output reference levels	1.5 V

FIGURE 4. Output load circuit and test conditions, or equivalent.

STANDARD MICROCIRCUIT DRAWING DEFENSE SUPPLY CENTER COLUMBUS COLUMBUS, OHIO 43218-3990	SIZE A		5962-90715
		REVISION LEVEL B	SHEET 20

4.3 Qualification inspection for device classes Q and V. Qualification inspection for device classes Q and V shall be in accordance with MIL-PRF-38535. Inspections to be performed shall be those specified in MIL-PRF-38535 and herein for groups A, B, C, D, and E inspections (see 4.4.1 through 4.4.4).

4.4 Conformance inspection. Technology conformance inspection for classes Q and V shall be in accordance with MIL-PRF-38535 including groups A, B, C, D, and E inspections and as specified herein. Quality conformance inspection for device class M shall be in accordance with MIL-PRF-38535, appendix A and as specified herein. Inspections to be performed for device class M shall be those specified in method 5005 of MIL-STD-883 and herein for groups A, B, C, D, and E inspections (see 4.4.1 through 4.4.4).

4.4.1 Group A inspection.

- a. Tests shall be as specified in table IIA herein.
- b. Subgroups 5 and 6 of table I of method 5005 of MIL-STD-883 shall be omitted.
- c. For device class M, subgroups 7 and 8 tests shall be sufficient to verify the truth table. For device classes Q and V, subgroups 7 and 8 shall include verifying the functionality of the device.
- d. O/V (latch-up) tests shall be measured only for initial qualification and after any design or process changes which may affect the performance of the device. For device class M, procedures and circuits shall be maintained under document revision level control by the manufacturer and shall be made available to the preparing activity or acquiring activity upon request. For device classes Q and V, the procedures and circuits shall be under the control of the device manufacturer's TRB in accordance with MIL-PRF-38535 and shall be made available to the preparing activity or acquiring activity upon request. Testing shall be on all pins, on five devices with zero failures. Latch-up test shall be considered destructive. Information contained in JEDEC Standard EIA/JESD 78 may be used for reference.
- e. Subgroup 4 (C_{IN} and C_{OUT} measurements) shall be measured only for initial qualification and after any process or design changes which may affect input or output capacitance. Capacitance shall be measured between the designated terminal and GND at a frequency of 1 MHz. Sample size is 15 devices with no failures, and all input and output terminals tested.

4.4.2 Group C inspection. The group C inspection end-point electrical parameters shall be as specified in table IIA herein.

4.4.2.1 Additional criteria for device class M. Steady-state life test conditions, method 1005 of MIL-STD-883:

- a. Test condition C or D. The test circuit shall be maintained by the manufacturer under document revision level control and shall be made available to the preparing or acquiring activity upon request. The test circuit shall specify the inputs, outputs, biases, and power dissipation, as applicable, in accordance with the intent specified in method 1005 of MIL-STD-883.
- b. $T_A = +125^{\circ}C$, minimum.
- c. Test duration: 1,000 hours, except as permitted by method 1005 of MIL-STD-883.

STANDARD MICROCIRCUIT DRAWING DEFENSE SUPPLY CENTER COLUMBUS COLUMBUS, OHIO 43218-3990	SIZE A		5962-90715
		REVISION LEVEL B	SHEET 21

TABLE IIA. Electrical test requirements. 1/, 2/, 3/, 4/, 5/

Line No.	Test requirements	Subgroups (in accordance with MIL-STD-883, method 5005, table I)	Subgroups (per MIL-PRF-38535, table III)	
		Device class M	Device class Q	Device class V
1	Interim electrical parameters (see 4.2)			(1, 7, 9) or (2, 8A, 10)
2	Static burn-in I method 1015	Not required	Not required	Required
3	Same as line 1			1*, 7* Δ
4	Dynamic burn-in (method 1015)	Required	Required	Required
5	Same as line 1			1* Δ
6	Final electrical parameters	1*, 2, 3, 7*, 8A, 8B, 9, 10, 11	1*, 2, 3, 7*, 8A, 8B, 9, 10, 11	1*, 2, 3, 7*, 8A, 8B, 9, 10, 11
7	Group A test requirements	1, 2, 3, 4**, 7, 8A, 8B, 9, 10, 11	1, 2, 3, 4**, 7, 8A, 8B, 9, 10, 11	1, 2, 3, 4**, 7, 8A, 8B, 9, 10, 11
8	Group C end-point electrical parameters	2, 3, 7, 8A, 8B	2, 3, 7, 8A, 8B	1, 2, 3, 7, 8A, 8B, 9, 10, 11 Δ
9	Group D end-point electrical parameters	2, 3, 7, 8A, 8B	2, 3, 7, 8A, 8B	2, 3, 7, 8A, 8B
10	Group E end-point electrical parameters	1, 7, 9	1, 7, 9	1, 7, 9

- 1/ Blank spaces indicate tests are not applicable.
 2/ Any or all subgroups may be combined when using high-speed testers.
 3/ * indicates PDA applies to subgroup 1 and 7.
 4/ ** see 4.4.1e.
 5/ Δ indicates delta limit (see table IIB) shall be required where specified, and the delta values shall be computed with reference to the previous interim electrical parameters (line 1).

TABLE IIB. Delta limits at +25°C.

Test 1/	Device types
	All
I _x	±10 percent of specified value in table I
I _{oz}	±10 percent of specified value in table I
I _{cc2}	±10 percent of specified value in table I

- 1/ The above parameter shall be recorded before and after the required burn-in and life tests to determine the delta.

STANDARD MICROCIRCUIT DRAWING DEFENSE SUPPLY CENTER COLUMBUS COLUMBUS, OHIO 43218-3990	SIZE A		5962-90715
		REVISION LEVEL B	SHEET 22

4.4.2.2 Additional criteria for device classes Q and V. The steady-state life test duration, test condition and test temperature, or approved alternatives shall be as specified in the device manufacturer's QM plan in accordance with MIL-PRF-38535. The test circuit shall be maintained under document revision level control by the device manufacturer's TRB in accordance with MIL-PRF-38535 and shall be made available to the acquiring or preparing activity upon request. The test circuit shall specify the inputs, outputs, biases, and power dissipation, as applicable, in accordance with the intent specified in method 1005 of MIL-STD-883.

4.4.3 Group D inspection. The group D inspection end-point electrical parameters shall be as specified in table II herein.

4.4.4 Group E inspection. Group E inspection is required only for parts intended to be marked as radiation hardness assured (see 3.5 herein).

- a. End-point electrical parameters shall be as specified in table II herein.
- b. For device classes Q and V, the devices or test vehicle shall be subjected to radiation hardness assured tests as specified in MIL-PRF-38535 for the RHA level being tested. For device class M, the devices shall be subjected to radiation hardness assured tests as specified in MIL-PRF-38535, appendix A for the RHA level being tested. All device classes must meet the postirradiation end-point electrical parameter limits as defined in table I at $T_A = +25^{\circ}\text{C} \pm 5^{\circ}\text{C}$, after exposure, to the subgroups specified in table II herein.

4.5 Delta measurements for device class V. Delta measurements, as specified in table IIA, shall be made and recorded before and after the required burn-in screens and steady-state life tests to determine delta compliance. The electrical parameters to be measured, with associated delta limits are listed in table IIB. The device manufacturer may, at his option, either perform delta measurements or within 24 hours after burn-in perform final electrical parameter tests, subgroups 1, 7, and 9.

5. PACKAGING

5.1 Packaging requirements. The requirements for packaging shall be in accordance with MIL-PRF-38535 for device classes Q and V or MIL-PRF-38535, appendix A for device class M.

6. NOTES

6.1 Intended use. Microcircuits conforming to this drawing are intended for use for Government microcircuit applications (original equipment), design applications, and logistics purposes.

6.1.1 Replaceability. Microcircuits covered by this drawing will replace the same generic device covered by a contractor prepared specification or drawing.

6.1.2 Substitutability. Device class Q devices will replace device class M devices.

6.2 Configuration control of SMD's. All proposed changes to existing SMD's will be coordinated with the users of record for the individual documents. This coordination will be accomplished using DD Form 1692, Engineering Change Proposal.

6.3 Record of users. Military and industrial users should inform Defense Supply Center Columbus (DSCC) when a system application requires configuration control and which SMD's are applicable to that system. DSCC will maintain a record of users and this list will be used for coordination and distribution of changes to the drawings. Users of drawings covering microelectronic devices (FSC 5962) should contact DSCC-VA, telephone (614) 692-0544.

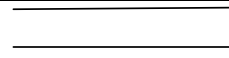
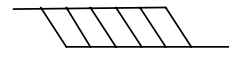
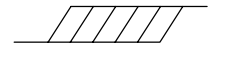
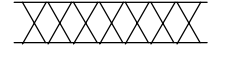
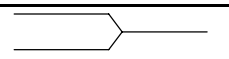
6.4 Comments. Comments on this drawing should be directed to DSCC-VA, Columbus, Ohio 43218-3990, or telephone (614) 692-0547.

STANDARD MICROCIRCUIT DRAWING DEFENSE SUPPLY CENTER COLUMBUS COLUMBUS, OHIO 43218-3990	SIZE A		5962-90715
		REVISION LEVEL B	SHEET 23

6.5 Abbreviations, symbols, and definitions. The abbreviations, symbols, and definitions used herein are defined in MIL-PRF-38535 and MIL-HDBK-1331.

- C_{IN}.....Input terminal capacitance.
- C_{OUT}.....Output and bidirectional output terminal capacitance.
- GND.....Ground zero voltage potential.
- I_{CC}.....Supply current.
- I_{IX}.....Input current.
- I_{OZ}.....Output current.
- T_C.....Case temperature.
- V_{CC}.....Positive supply voltage.

6.5.1 Waveforms.

Waveform symbol	Input	Output
	MUST BE VALID	WILL BE VALID
	CHANGE FROM H TO L	WILL CHANGE FROM H TO L
	CHANGE FROM L TO H	WILL CHANGE FROM L TO H
	DON'T CARE ANY CHANGE PERMITTED	CHANGING STATE UNKNOWN
		HIGH IMPEDANCE

6.6 Sources of supply.

6.6.1 Sources of supply for device classes Q and V. Sources of supply for device classes Q and V are listed in QML-38535. The vendors listed in QML-38535 have submitted a certificate of compliance (see 3.6 herein) to DSCC-VA and have agreed to this drawing.

6.6.2 Approved sources of supply for device class M. Approved sources of supply for class M are listed in MIL-HDBK-103. The vendors listed in MIL-HDBK-103 have agreed to this drawing and a certificate of compliance (see 3.6 herein) has been submitted to and accepted by DSCC-VA.

STANDARD MICROCIRCUIT DRAWING DEFENSE SUPPLY CENTER COLUMBUS COLUMBUS, OHIO 43218-3990	SIZE A		5962-90715
		REVISION LEVEL B	SHEET 24

STANDARD MICROCIRCUIT DRAWING BULLETIN

DATE: 07-01-31

Approved sources of supply for SMD 5962-90715 are listed below for immediate acquisition information only and shall be added to MIL-HDBK-103 and QML-38535 during the next revision. MIL-HDBK-103 and QML-38535 will be revised to include the addition or deletion of sources. The vendors listed below have agreed to this drawing and a certificate of compliance has been submitted to and accepted by DSCC-VA. This information bulletin is superseded by the next dated revision of MIL-HDBK-103 and QML-38535. DSCC maintains an online database of all current sources of supply at <http://www.dscclia.mil/Programs/Smcr/>.

Standard microcircuit drawing PIN 1/	Vendor CAGE number	Vendor similar PIN 2/
5962-9071501MXA	0C7V7 <u>3/</u>	CY7C432-120DMB IDT7204S120DB
5962-9071501MYA	0C7V7 <u>3/</u>	CY7C433-120KMB IDT7204S120XEB
5962-9071501MZA	0C7V7 <u>3/</u>	CY7C433-120LMB IDT7204S120LB
5962-9071501MUA	0C7V7 <u>3/</u>	CY7C433-120DMB IDT7204S120DB
5962-9071502MXA	0C7V7 <u>3/</u>	CY7C432-80DMB IDT7204S80DB
5962-9071502MYA	0C7V7 <u>3/</u>	CY7C433-80KMB IDT7204S80XEB
5962-9071502MZA	0C7V7 <u>3/</u>	CY7C433-80LMB IDT7204S80LB
5962-9071502MUA	0C7V7 <u>3/</u>	CY7C433-80DMB IDT7204S80DB
5962-9071503MXA	0C7V7 <u>3/</u>	CY7C432-65DMB IDT7204S65DB
5962-9071503MYA	0C7V7 <u>3/</u>	CY7C433-65KMB IDT7204S65XEB
5962-9071503MZA	0C7V7 <u>3/</u>	CY7C433-65LMB IDT7204S65LB
5962-9071503MUA	0C7V7 <u>3/</u>	CY7C433-65DMB IDT7204S65DB
5962-9071504MXA	0C7V7 <u>3/</u> <u>3/</u>	CY7C432-50DMB IDT7204S50DB AM7204A-50BXA
5962-9071504MYA	0C7V7 <u>3/</u>	CY7C433-50KMB IDT7204S50DB
5962-9071504MZA	0C7V7 <u>3/</u> <u>3/</u>	CY7C433-50LMB IDT7204S50XEB AM7204A-50BUA
5962-9071504MUA	0C7V7 <u>3/</u>	CY7C433-50DMB IDT7204S50DB

STANDARD MICROCIRCUIT DRAWING BULLETIN - continued.

Standard microcircuit drawing PIN <u>1/</u>	Vendor CAGE number	Vendor similar PIN <u>2/</u>
5962-9071505MXA	0C7V7 <u>3/</u>	CY7C432-40DMB IDT7204S40DB
5962-9071505MYA	0C7V7 <u>3/</u>	CY7C433-40KMB IDT7204S40XEB
5962-9071505MZA	0C7V7 <u>3/</u>	CY7C433-40LMB IDT7204S40LB
5962-9071505MUA	0C7V7 <u>3/</u>	CY7C433-40DMB IDT7204S40DB
5962-9071506MXA	0C7V7 <u>3/</u>	CY7C432-30DMB AM7204A-30BXA
5962-9071506MYA	0C7V7	CY7C433-30KMB
5962-9071506MZA	0C7V7 <u>3/</u>	CY7C433-30LMB AM7204A-30BUA
5962-9071506MUA	0C7V7	CY7C433-30DMB
5962-9071507MXA	0C7V7 <u>3/</u>	CY7C432-20DMB AM7204A-20/BXA
5962-9071507MYA	0C7V7	CY7C433-20KMB
5962-9071507MZA	0C7V7 <u>3/</u>	CY7C433-20LMB AM7204A-20/BUA
5962-9071507MUA	0C7V7	CY7C433-20DMB

1/ The lead finish shown for each PIN representing a hermetic package is the most readily available from the manufacturer listed for that part. If the desired lead finish is not listed contact the vendor to determine its availability.

2/ **Caution.** Do not use this number for item acquisition. Items acquired to this number may not satisfy the performance requirements of this drawing.

3/ Not available from an approved source of supply.

Vendor CAGE
number

0C7V7

Vendor name
and address

QP Semiconductor
2945 Oakmead Village Ct.
Santa Clara, CA 95051-0812

The information contained herein is disseminated for convenience only and the Government assumes no liability whatsoever for any inaccuracies in the information bulletin.