

Features

- Fast Read Access Time - 55 ns
- Low Power CMOS Operation
 - 100 μ A Maximum Standby
 - 40 mA Maximum Active at 5 MHz
- JEDEC Standard Packages
 - 40-Lead 600 mil PDIP
 - 44-Lead PLCC
 - 40-Lead TSOP (10 mm x 14 mm)
- Direct Upgrade from 512K bit, 1M bit, and 2M bit (AT27C516, AT27C1024, and AT27C2048) EPROMs
- 5V \pm 10% Power Supply
- High Reliability CMOS Technology
 - 2,000V ESD Protection
 - 200 mA Latchup Immunity
- Rapid™ Programming Algorithm - 50 μ s/word (typical)
- CMOS and TTL Compatible Inputs and Outputs
- Integrated Product Identification Code
- Commercial and Industrial Temperature Ranges

Description

The AT27C4096 is a low-power, high-performance 4,194,304-bit one-time programmable read only memory (OTP EPROM) organized 256K by 16 bits. It requires a single 5V power supply in normal read mode operation. Any word can be accessed in less than 55 ns, eliminating the need for speed-reducing WAIT states. The by-16 organization makes this part ideal for high-performance 16- and 32-bit microprocessor systems.

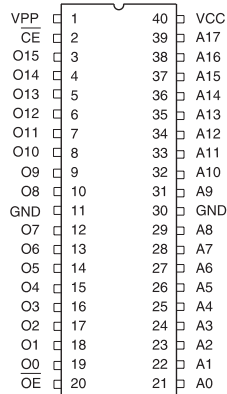
(continued)

Pin Configurations

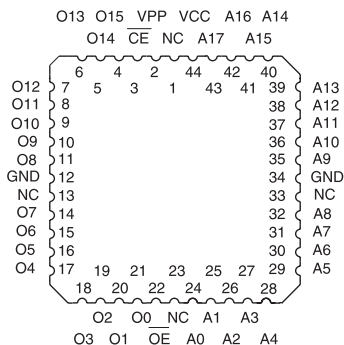
| Pin Name | Function |
|-----------------|---------------|
| A0 - A17 | Addresses |
| O0 - O15 | Outputs |
| \overline{CE} | Chip Enable |
| \overline{OE} | Output Enable |
| NC | No Connect |

Note: Both GND pins must be connected.

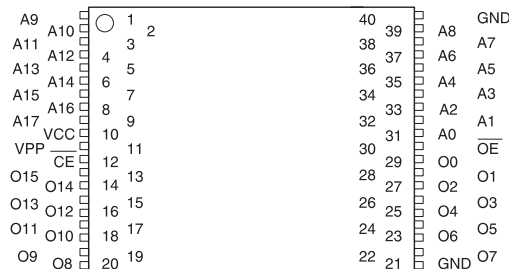
PDIP Top View



PLCC Top View



TSOP Top View
Type 1



0311E-A-06/97



4-Megabit (256K x 16) OTP EPROM

AT27C4096



Description

In read mode, the AT27C4096 typically consumes 15 mA. Standby mode supply current is typically less than 10 μ A.

The AT27C4096 is available in industry standard JEDEC-approved one-time programmable (OTP) plastic PDIP, PLCC, and TSOP packages. The device features two-line control (\overline{CE} , \overline{OE}) to eliminate bus contention in high-speed systems.

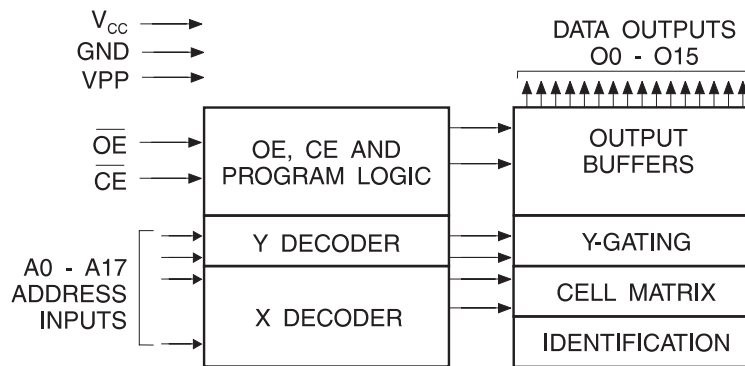
With high density 256K word storage capability, the AT27C4096 allows firmware to be stored reliably and to be accessed by the system without the delays of mass storage media.

Atmel's AT27C4096 has additional features that ensure high quality and efficient production use. The Rapid™ Programming Algorithm reduces the time required to program the part and guarantees reliable programming. Programming time is typically only 50 μ s/word. The Integrated Product Identification Code electronically identifies the device and manufacturer. This feature is used by industry standard programming equipment to select the proper programming algorithms and voltages.

System Considerations

Switching between active and standby conditions via the Chip Enable pin may produce transient voltage excursions. Unless accommodated by the system design, these transients may exceed data sheet limits, resulting in device non-conformance. At a minimum, a 0.1 μ F high frequency, low inherent inductance, ceramic capacitor should be utilized for each device. This capacitor should be connected between the V_{CC} and Ground terminals of the device, as close to the device as possible. Additionally, to stabilize the supply voltage level on printed circuit boards with large EPROM arrays, a 4.7 μ F bulk electrolytic capacitor should be utilized, again connected between the V_{CC} and Ground terminals. This capacitor should be positioned as close as possible to the point where the power supply is connected to the array.

Block Diagram



Absolute Maximum Ratings*

| | |
|--|--------------------------------|
| Temperature Under Bias | -55°C to +125°C |
| Storage Temperature..... | -65°C to +150°C |
| Voltage on Any Pin with Respect to Ground | -2.0V to +7.0V ⁽¹⁾ |
| Voltage on A9 with Respect to Ground | -2.0V to +14.0V ⁽¹⁾ |
| V _{PP} Supply Voltage with Respect to Ground | -2.0V to +14.0V ⁽¹⁾ |

***NOTICE:** Stresses beyond those listed under “Absolute Maximum Ratings” may cause permanent damage to the device. This is a stress rating only and functional operation of the device at these or any other conditions beyond those indicated in the operational sections of this specification is not implied. Exposure to absolute maximum rating conditions for extended periods may affect device reliability.

Note: Maximum voltage is -0.6V dc which may undershoot to -2.0V for pulses of less than 20 ns. Maximum output pin voltage is V_{CC} + 0.75V dc which may overshoot to +7.0V for pulses of less than 20 ns.

Operating Modes

| Mode/Pin | CE | OE | Ai | V _{PP} | Outputs |
|---------------------------------------|-----------------|-----------------|---|------------------|---------------------|
| Read | V _{IL} | V _{IL} | Ai | X ⁽¹⁾ | D _{OUT} |
| Output Disable | X | V _{IH} | X | X | High Z |
| Standby | V _{IH} | X | X | X ⁽⁵⁾ | High Z |
| Rapid Program ⁽²⁾ | V _{IL} | V _{IH} | Ai | V _{PP} | D _{IN} |
| PGM Verify | V _{IH} | V _{IL} | Ai | V _{PP} | D _{OUT} |
| PGM Inhibit | V _{IH} | V _{IH} | X | V _{PP} | High Z |
| Product Identification ⁽⁴⁾ | V _{IL} | V _{IL} | A9 = V _H ⁽³⁾ A0 = V _{IH} or V _{IL} A1 - A17 = V _{IL} | V _{CC} | Identification Code |

- Notes:
- X can be V_{IL} or V_{IH}.
 - Refer to the Programming characteristics.
 - V_H = 12.0 ± 0.5V.
 - Two identifier words may be selected. All Ai inputs are held low (V_{IL}), except A9, which is set to V_H, and A0, which is toggled low (V_{IL}) to select the Manufacturer's Identification word and high (V_{IH}) to select the Device Code word.
 - Standby V_{CC} current (I_{SB}) is specified with V_{PP} = V_{CC}. V_{CC} > V_{PP} will cause a slight increase in I_{SB}.

DC and AC Operating Conditions for Read Operation

| | | AT27C4096 | | | | |
|------------------------------|------|--------------|--------------|--------------|--------------|--------------|
| | | -55 | -70 | -90 | -12 | -15 |
| Operating Temperature (Case) | Com. | 0°C - 70°C | 0°C - 70°C | 0°C - 70°C | 0°C - 70°C | 0°C - 70°C |
| | Ind. | -40°C - 85°C | -40°C - 85°C | -40°C - 85°C | -40°C - 85°C | -40°C - 85°C |
| V _{CC} Power Supply | | 5V ± 10% | 5V ± 10% | 5V ± 10% | 5V ± 10% | 5V ± 10% |

DC and Operating Characteristics for Read Operation

| Symbol | Parameter | Condition | Min | Max | Units |
|---------------------------------|---|--|------|-----------------------|-------|
| I _{LI} | Input Load Current | V _{IN} = 0V to V _{CC} | | ± 1 | μA |
| I _{LO} | Output Leakage Current | V _{OUT} = 0V to V _{CC} | | ± 5 | μA |
| I _{PP1} ⁽²⁾ | V _{PP} ⁽¹⁾ Read/Standby Current | V _{PP} = V _{CC} | | 10 | μA |
| I _{SB} | V _{CC} ⁽¹⁾ Standby Current | I _{SB1} (CMOS) CE = V _{CC} ± 0.3V | | 100 | μA |
| | | I _{SB2} (TTL) CE = 2.0 to V _{CC} + 0.5V | | 1 | mA |
| I _{CC} | V _{CC} Active Current | f = 5 MHz, I _{OUT} = 0 mA, CE = V _{IL} | | 40 | mA |
| V _{IL} | Input Low Voltage | | -0.6 | 0.8 | V |
| V _{IH} | Input High Voltage | | 2.0 | V _{CC} + 0.5 | V |
| V _{OL} | Output Low Voltage | I _{OL} = 2.1 mA | | 0.4 | V |
| V _{OH} | Output High Voltage | I _{OH} = -400 μA | 2.4 | | V |

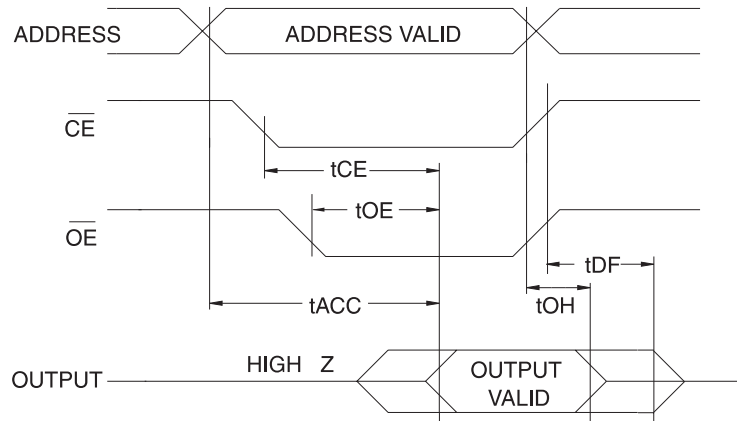
- Notes: 1. V_{CC} must be applied simultaneously or before V_{PP} and removed simultaneously or after V_{PP}
 2. V_{PP} may be connected directly to V_{CC}, except during programming. The supply current would then be the sum of I_{CC} and I_{PP}

AC Characteristics for Read Operation

| | | | AT27C4096 | | | | | | | | | | |
|-----------------------------------|--|---------------------------|-----------|-----|-----|-----|-----|-----|-----|-----|-----|-----|-------|
| | | | -55 | | -70 | | -90 | | -12 | | -15 | | |
| Symbol | Parameter | Condition | Min | Max | Min | Max | Min | Max | Min | Max | Min | Max | Units |
| t _{ACC} ⁽³⁾ | Address to Output Delay | CE = OE = V _{IL} | | 55 | | 70 | | 90 | | 120 | | 150 | ns |
| t _{CE} ⁽²⁾ | CE to Output Delay | OE = V _{IL} | | 55 | | 70 | | 90 | | 120 | | 150 | ns |
| t _{OE} ⁽²⁾⁽³⁾ | OE to Output Delay | CE = V _{IL} | | 20 | | 30 | | 35 | | 40 | | 50 | ns |
| t _{DF} ⁽⁴⁾⁽⁵⁾ | OE or CE High to Output Float, whichever occurred first | | | 20 | | 20 | | 20 | | 30 | | 35 | ns |
| t _{OH} ⁽⁴⁾ | Output Hold from Address, CE or OE, whichever occurred first | | 7 | | 7 | | 0 | | 0 | | 0 | | ns |

Note: 2, 3, 4, 5. See the AC Waveforms for Read Operation diagram.

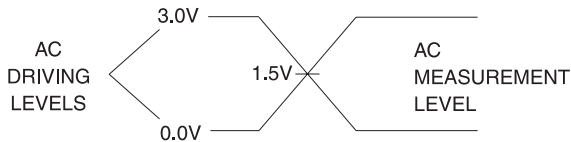
AC Waveforms for Read Operation⁽¹⁾



- Notes:
1. Timing measurement references are 0.8V and 2.0V. Input AC drive levels are 0.45V and 2.4V, unless otherwise specified.
 2. \overline{OE} may be delayed up to $t_{CE} - t_{OE}$ after the falling edge of \overline{CE} without impact on t_{CE} .
 3. \overline{OE} may be delayed up to $t_{ACC} - t_{OE}$ after the address is valid without impact on t_{ACC} .
 4. This parameter is only sampled and is not 100% tested.
 5. Output float is defined as the point when data is no longer driven.

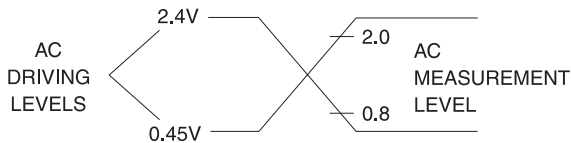
Input Test Waveforms and Measurement Levels

For -55 devices only:



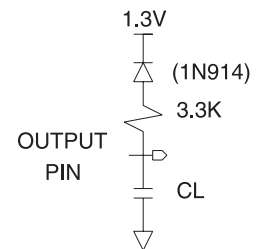
$t_R, t_F < 5 \text{ ns}$ (10% to 90%)

For -70, -90, -12 and -15 devices:



$t_R, t_F < 20 \text{ ns}$ (10% to 90%)

Output Test Load



Note: $CL = 100 \text{ pF}$ including jig capacitance, except for the -45 and -55 devices, where $CL = 30 \text{ pF}$.

Pin Capacitance

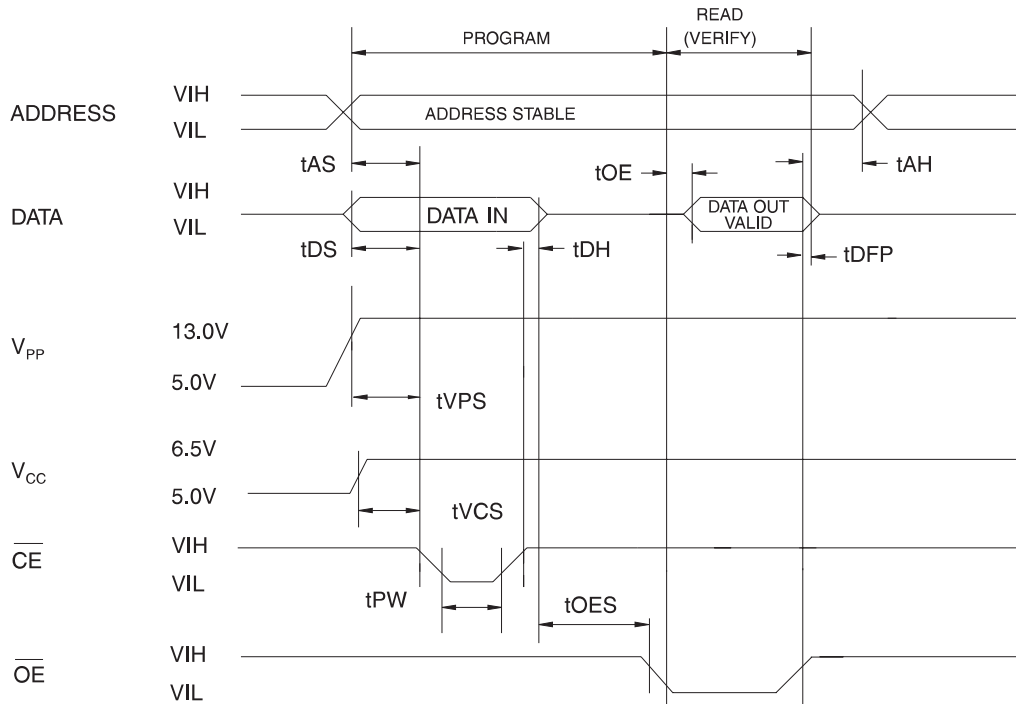
($f = 1 \text{ MHz}$ $T = 25^\circ\text{C}$)⁽¹⁾

| | Typ | Max | Units | Conditions |
|-----------|-----|-----|-------|----------------|
| C_{IN} | 4 | 10 | pF | $V_{IN} = 0V$ |
| C_{OUT} | 8 | 12 | pF | $V_{OUT} = 0V$ |

Note: 1. Typical values for nominal supply voltage. This parameter is only sampled and is not 100% tested.



Programming Waveforms⁽¹⁾



- Notes:
1. The Input Timing Reference is 0.8V for V_{IL} and 2.0V for V_{IH}.
 2. t_{OE} and t_{DFP} are characteristics of the device but must be accommodated by the programmer.
 3. When programming the AT27C4096, a 0.1 μF capacitor is required across V_{PP} and ground to suppress spurious voltage transients.

DC Programming Characteristics

T_A = 25 ± 5°C, V_{CC} = 6.5 ± 0.25V, V_{PP} = 13.0 ± 0.25V

| Symbol | Parameter | Test Conditions | Limits | | Units |
|------------------|---|---|--------|-----------------------|-------|
| | | | Min | Max | |
| I _{LI} | Input Load Current | V _{IN} = V _{IL} , V _{IH} | | ±10 | μA |
| V _{IL} | Input Low Level | | -0.6 | 0.8 | V |
| V _{IH} | Input High Level | | 2.0 | V _{CC} + 0.7 | V |
| V _{OL} | Output Low Voltage | I _{OL} = 2.1 mA | | 0.4 | V |
| V _{OH} | Output High Voltage | I _{OH} = -400 μA | 2.4 | | V |
| I _{CC2} | V _{CC} Supply Current (Program and Verify) | | | 50 | mA |
| I _{PP2} | V _{PP} Supply Current | CE = V _{IL} | | 30 | mA |
| V _{ID} | A9 Product Identification Voltage | | 11.5 | 12.5 | V |

AC Programming Characteristics

$T_A = 25 \pm 5^\circ\text{C}$, $V_{CC} = 6.5 \pm 0.25\text{V}$, $V_{PP} = 13.0 \pm 0.25\text{V}$

| Symbol | Parameter | Test Conditions ⁽¹⁾ | Limits | | Units |
|-----------|---|--|--------|------|---------------|
| | | | Min | Max | |
| t_{AS} | Address Setup Time | Input Rise and Fall Times (10% to 90%) 20ns | 2 | | μs |
| t_{OES} | \overline{OE} Setup Time | | 2 | | μs |
| t_{DS} | Data Setup Time | | 2 | | μs |
| t_{AH} | Address Hold Time | | 0 | | μs |
| t_{DH} | Data Hold Time | Input Pulse Levels 0.45V to 2.4V | 2 | | μs |
| t_{DFP} | \overline{OE} High to Output Float Delay ⁽²⁾ | | 0 | 130 | ns |
| t_{VPS} | V_{PP} Setup Time | Input Timing Reference Level 0.8V to 2.0V | 2 | | μs |
| t_{VCS} | V_{CC} Setup Time | | 2 | | μs |
| t_{PW} | \overline{CE} Program Pulse Width ⁽³⁾ | Output Timing Reference Level 0.8V to 2.0V | 47.5 | 52.5 | μs |
| t_{OE} | Data Valid from \overline{OE} | | | 150 | ns |
| t_{PRT} | V_{PP} Pulse Rise Time During Programming | | 50 | | ns |

- Notes:
- V_{CC} must be applied simultaneously or before V_{PP} and removed simultaneously or after V_{PP}
 - This parameter is only sampled and is not 100% tested. Output Float is defined as the point where data is no longer driven—see timing diagram.
 - Program Pulse width tolerance is $50 \mu\text{sec} \pm 5\%$.

Atmel's 27C4096 Intergrated Product Identification Code

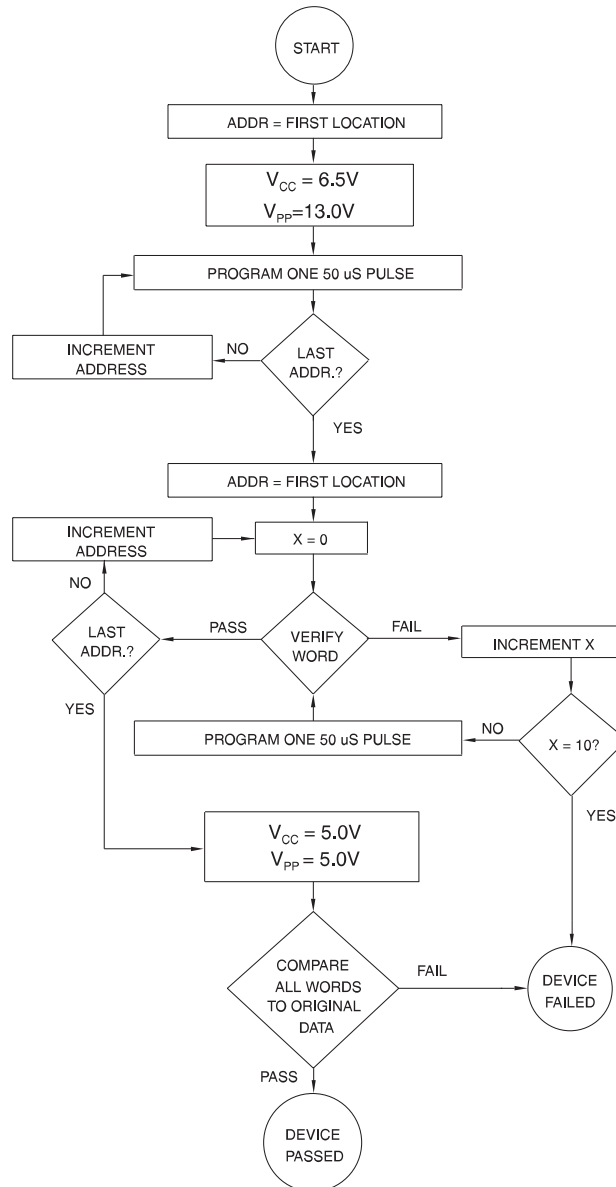
| Codes | Pins | | | | | | | | | | Hex Data |
|--------------|------|--------|----|----|----|----|----|----|----|----|----------|
| | A0 | 015-08 | O7 | O6 | O5 | O4 | O3 | O2 | O1 | O0 | |
| Manufacturer | 0 | 0 | 0 | 0 | 0 | 1 | 1 | 1 | 1 | 0 | 001E |
| Device Type | 1 | 0 | 1 | 1 | 1 | 1 | 0 | 1 | 0 | 0 | 00F4 |



Rapid Programming Algorithm

A $50\ \mu\text{s}$ $\overline{\text{CE}}$ pulse width is used to program. The address is set to the first location. V_{CC} is raised to 6.5V and V_{PP} is raised to 13.0V. Each address is first programmed with one $50\ \mu\text{s}$ $\overline{\text{CE}}$ pulse without verification. Then a verification/reprogramming loop is executed for each address. In the event a word fails to pass verification, up to 10 successive $50\ \mu\text{s}$ pulses are applied with a verification after each

pulse. If the word fails to verify after 10 pulses have been applied, the part is considered failed. After the word verifies properly, the next address is selected until all have been checked. V_{PP} is then lowered to 5.0V and V_{CC} to 5.0V. All words are read again and compared with the original data to determine if the device passes or fails.



Ordering Information

| t _{ACC} (ns) | I _{CC} (mA) | | Ordering Code | Package | Operation Range |
|-----------------------|----------------------|---------|--|--------------------|-------------------------------|
| | Active | Standby | | | |
| 55 | 40 | 0.1 | AT27C4096-55JC AT27C4096-55PC AT27C4096-55VC | 44J 40P6 40V | Commercial (0°C to 70°C) |
| | 40 | 0.1 | AT27C4096-55JI AT27C4096-55PI AT27C4096-55VI | 44J 40P6 40V | Industrial (-40°C to 85°C) |
| 70 | 40 | 0.1 | AT27C4096-70JC AT27C4096-70PC AT27C4096-70VC | 44J 40P6 40V | Commercial (0°C to 70°C) |
| | 40 | 0.1 | AT27C4096-70JI AT27C4096-70PI AT27C4096-70VI | 44J 40P6 40V | Industrial (-40°C to 85°C) |
| 90 | 40 | 0.1 | AT27C4096-90JC AT27C4096-90PC AT27C4096-90VC | 44J 40P6 40V | Commercial (0°C to 70°C) |
| | 40 | 0.1 | AT27C4096-90JI AT27C4096-90PI AT27C4096-90VI | 44J 40P6 40V | Industrial (-40°C to 85°C) |
| 120 | 40 | 0.1 | AT27C4096-12JC AT27C4096-12PC AT27C4096-12VC | 44J 40P6 40V | Commercial (0°C to 70°C) |
| | 40 | 0.1 | AT27C4096-12JI AT27C4096-12PI AT27C4096-12VI | 44J 40P6 40V | Industrial (-40°C to 85°C) |
| 150 | 40 | 0.1 | AT27C4096-15JC AT27C4096-15PC AT27C4096-15VC | 44J 40P6 40V | Commercial (0°C to 70°C) |
| | 40 | 0.1 | AT27C4096-15JI AT27C4096-15PI AT27C4096-15VI | 44J 40P6 40V | Industrial (-40°C to 85°C) |

| Package Type | |
|--------------|---|
| 44J | 44 Lead, Plastic J-Leaded Chip Carrier (PLCC) |
| 40P6 | 40 Lead, 0.600" Wide, Plastic Dual Inline Package (PDIP) |
| 40V | 40 Lead, Plastic Thin Small Outline Package (TSOP) 10 x 14 mm |

