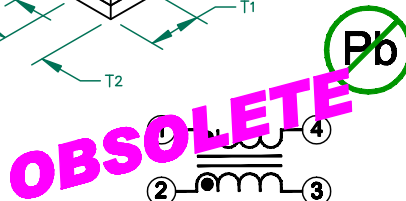
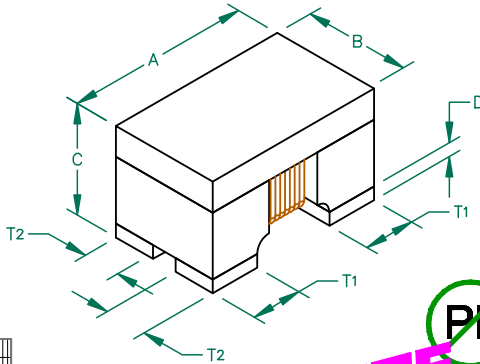


CM0805D900R-10

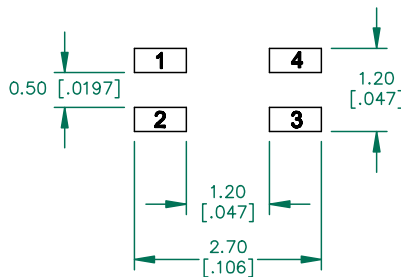
UNCONTROLLED DOCUMENT

PHYSICAL DIMENSIONS:

A	2.00 [.079]	± 0.20 [.008]
B	1.20 [.047]	± 0.20 [.008]
C	1.20 [.047]	± 0.20 [.008]
D	0.15 [.006]	± 0.10 [.004]
T1	0.55 [.022]	± 0.10 [.004]
T2	0.46 [.018]	± 0.10 [.004]



LAND PATTERNS FOR REFLOW SOLDERING

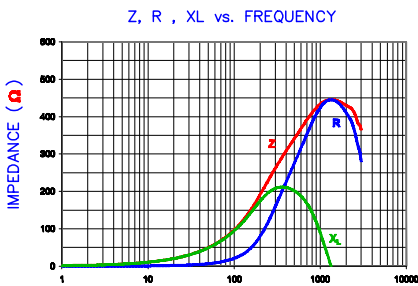
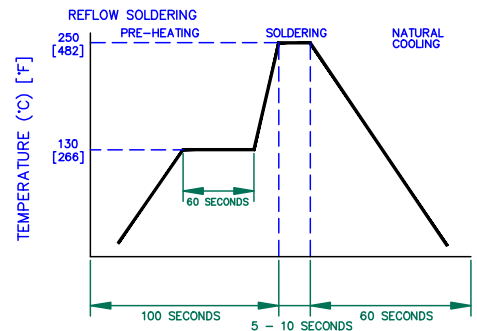


Electrical Characteristics		Nominal	Min	Max
Common Mode Impedance @ 100MHz	(Ω)	90	67.5	112.5
DCR	(Ω)	-	-	0.3
Rated Current	(mA)	-	-	400

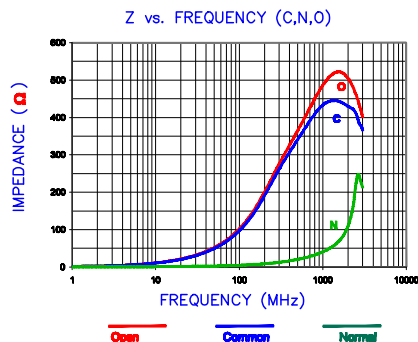
NOTES: UNLESS OTHERWISE SPECIFIED

1. TAPED AND REELED per CURRENT EIA SPECIFICATIONS 7" REELS, EMBOSSED PLASTIC TAPE 2,000 PCS/REEL.
2. TERMINATION FINISH 100% MATTE TIN.
3. COMPONENTS SHOULD BE ADEQUATELY PREHEATED BEFORE SOLDERING.

RECOMMENDED SOLDERING CONDITIONS



Z vs. FREQUENCY (C,N,O)



AGILENT E4991A RF Impedance/Material Analyzer
HP 16194A Test Fixture. TEST REF. 5788



DIMENSIONS ARE IN mm [INCHES]		THIS DOCUMENT CONTAINS INFORMATION WHICH IS PROPRIETARY AND CONFIDENTIAL TO STEWARD. NO PRODUCTION OR PUBLICATION OF THIS DOCUMENT IN WHOLE OR IN PART SHALL BE MADE WITHOUT WRITTEN AUTHORIZATION FROM STEWARD.			
		Steward		Laird	
PROJECT/PART NUMBER		REV	PART TYPE	DRAWN BY:	
CM0805D900R-10		B	CM CHOKE	JRK	
B	UPDATE COMPANY LOGO	05/14/07	JRK	DATE:	08/11/06
A	ORIGINAL DRAFT	08/11/06	JRK	SCALE:	NTS
REV	DESCRIPTION	DATE	INT	CAD #	CM0805D900R-10-B
				TOOL #	-
				SHEET:	2 of 2