

POWER MANAGEMENT

CIRCUIT PROTECTION

ADVANCED COMMUNICATIONS

TEST & MEASUREMENT

DISCRETE SEMICONDUCTORS

WIRELESS & SENSING

[Home](#) \ [Products](#) \ [Edge4707B](#)

Edge4707B: Quad-Channel Per-Pin Precision Measurement Unit

The Edge4707B is a precision measurement unit designed for automatic test equipment and instrumentation. Manufactured in a wide voltage CMOS process, it is a monolithic solution for a quad channel per pin PMU.

[ORDER SAMPLES](#)
[Pb-FREE/ROHS STATUS](#)
[CHECK INVENTORY](#)
[RELATED DOCUMENTS](#)

Datasheets

- [4707b.pdf](#) (PDF 199KB, 9/05)

Application Notes

- [Sources of Error Associated with Edge PMUs and their Effect on Overall Accuracy](#) (PDF 51KB, 9/05)
- [ATE-to-DUT Interface: Using Ferrites to Replace Relays for Lower Cost and Improved Performance](#) (PDF 307KB, 9/05)
- [Optimizing Output Configuration of Semtech Bipolar Pin Drivers](#) (PDF 128KB, 9/05)
- [Power-on Sequencing for Systems with Multiple Power Supplies](#) (PDF 29KB, 9/05)
- [Testing Without Relays - Using Inductors to Compensate for Parasitic Capacitance](#) (PDF 194KB, 9/05)
- [Cooling High Density, High Power Pin Electronics](#) (PDF 61KB, 9/05)
- [Using the Bipolar DCL Load as a Third Level Source](#) (PDF 123KB, 9/05)
- [Edge4707B PPMU Settling Time & Stability](#) (PDF 227KB, 9/05)

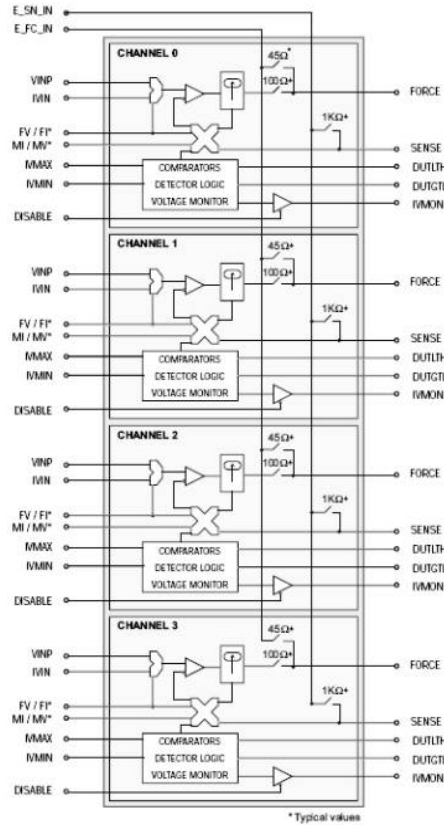
[Printable Version](#)
[COLLAPSE ALL](#)

FEATURES

- FV / MI capability
- FI / MV capability
- FV / MV capability
- FI / MI capability
- 4 current ranges (2 μ A, 20 μ A, 200 μ A, 2 mA)
- -2 V - +13 V output range (zero current)
- 0 V - 11 V output range (full scale current)
- FV Linearity to $\pm .025\%$ FSR
- Central PMU switches
- Per-pin super voltage switches
- 12 mm x 12 mm FlexBGA-180 package

DIAGRAMS

Functional Block Diagram



Click diagram to enlarge

PACKAGING

FlexBGA-180

ORDER CODES

- E4707BBG: NCNR, DROP SHIP ONLY, BULK, 60 pcs per Tray
- E4717BGG: NCNR, DROP SHIP ONLY, BULK, 60 pcs per Tray