

4

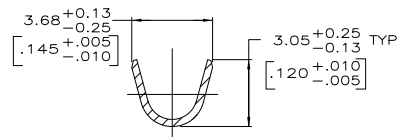
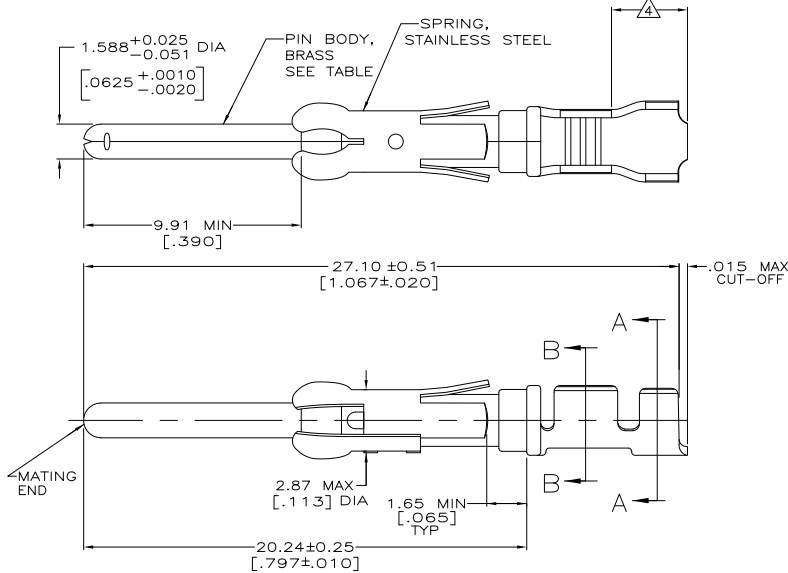
3

2

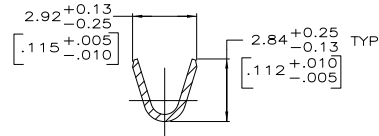
1

THIS DRAWING IS UNPUBLISHED. RELEASED FOR PUBLICATION. ALL RIGHTS RESERVED.

LOC	DIST	REVISIONS				
FT	47	P	LTR	DATE	MIN	APD
		E1	REVISED PER ECO-10-004587	11MAR11	RK	HMR



SECTION A-A



SECTION B-B

- ⚠ 0.76 μ m [.000030] MIN PRECIOUS METAL PLATE ON MATING END FOR A LENGTH OF 5.08 [.200] MIN OVER 1.27 μ m [.000050] MIN NICKEL PLATE. GOLD FLASH ALL OVER. CONFORMS TO THE REQUIREMENTS OF TE CONNECTIVITY PRODUCT SPEC 108-10042, BASED ON EIA/ECA-364-1000.01A (CONTROLLED ENVIRONMENT APPLICATIONS).
- ⚠ 0.76 μ m [.000030] MIN PRECIOUS METAL PLATE ON MATING END FOR A LENGTH OF 5.08 [.200] MIN WITH A UNIFORM GRADIENT TO 0.25 μ m [.000010] ON REMAINDER, OVER 1.27 μ m [.000050] MIN NICKEL PLATE. GOLD FLASH ALL OVER. CONFORMS TO THE REQUIREMENTS OF TE CONNECTIVITY PRODUCT SPEC 108-10042, BASED ON EIA/ECA-364-1000.01A (CONTROLLED ENVIRONMENT APPLICATIONS).
- ⚠ 0.38 μ m [.000015] MIN GOLD PER MIL-G-45204 ON MATING END FOR A LENGTH OF 5.08 [.200] MIN WITH GOLD FLASH ON THE REMAINDER OVER 1.27 μ m [.000050] MIN NICKEL PER QQ-N-290.
- ⚠ GOLD PLATING NOT REQUIRED IN THIS AREA.
- ⚠ 1.27 μ m [.000050] MIN TIN-LEAD PER MIL-T-10727 OVER 1.27 μ m [.000050] MIN NICKEL PER QQ-N-290.
- 6. WIRE RANGE 18-16 AWG.
- 7. INSULATION RANGE 2.03[.080]-2.54[.100] DIA.
- ⚠ 0.38 μ m [.000015] MIN GOLD PER MIL-G-45204 ON MATING END FOR A LENGTH OF 5.08 [.200] MIN, 1.27 μ m [.000050] MIN TIN-LEAD PER MIL-T-10727 ON OPPOSITE END FOR A LENGTH OF 5.69 [.224] MIN, BOTH OVER 1.27 μ m [.000050] MIN NICKEL PER QQ-N-290.
- ⚠ 1.27 μ m [.000050] MIN TIN PER MIL-T-10727 OVER 1.27 μ m [.000050] MIN NICKEL PER QQ-N-290.

SMALL PACK	⚠	1-66098-8	1-66099-6	
STANDARD	⚠	1-66098-8	1-66099-5	
SMALL PACK	⚠	66098-4	1-66099-4	
SMALL PACK	⚠	66098-3	1-66099-3	
SMALL PACK	⚠	66098-2	1-66099-2	
SMALL PACK	⚠	66098-1	1-66099-1	
OBSOLETE	⚠	STANDARD	1-66098-6	1-66099-0
	⚠	STANDARD	66098-4	66099-4
	⚠	STANDARD	66098-3	66099-3
	⚠	STANDARD	66098-2	66099-2
	⚠	STANDARD	66098-1	66099-1
PACKAGING TYPE	CONTACT FINISH	STRIP P/N	PART NO	

THIS DRAWING IS A CONTROLLED DOCUMENT. DIM: 03/29/92

DR: L. SHIP

W. LENKER 6-11-92

G. STEINHAUER 7-7-92

TE Connectivity

PIN ASSEMBLY, LOOSE PIECE, TYPE III+

APPROVED: [Signature]

DATE: 7-7-92

APPLICATION SPEC: [Blank]

SIZE: A2

CAGE CODE: 00779

DRAWING NO: 66099

RESTRICTED TO: [Blank]

MATERIAL: SEE CALLOUTS

FINISH: SEE CALLOUTS

CUSTOMER DRAWING

SCALE: 8:1

SHEET: 1 of 1

REV: E1

66099

A