

15-Line SCSI Bus Terminators

DESCRIPTION

The SiP5678 provides active bus termination suitable for all SCSI bus operational modes from SCSI-1 through SPI-4 (ultra SCSI 320). The termination includes impedance matching of the Ultra SCSI bus to minimize signal reflections from the end of the bus, as well as required SCSI bus biasing for either S/E (single ended) or LVD (low voltage differential) operation.

The SiP5678 has fifteen (15) output channels (T1-T15). Each output channel provides termination for one SCSI data signal, parity signal or control signal. Two SiP5678 ICs provide complete termination for a wide SCSI bus.

An integrated mode change delay filter in the SiP5678 eliminates the need for a bulky 4.7 μF low pass filter capacitor to be compliant with SPI-3 mode change timing requirements.

The SiP5678 senses the operational state of the SCSI bus via the DIFFSENS bus signal, and automatically switches to S/E or LVD operation as required. It cannot be used on an HPD (high power differential) SCSI bus, and goes into high impedance mode when the voltage on the DIFFSENS line indicates HPD operation. The SiP5678 also presents high impedance to the SCSI bus if the DISABLE pin is asserted, or if TERMPWR is removed from the IC.

The SiP5678 is available in a lead (Pb)-free SQFP-48 package for operation over the temperature range of 0 °C to 70 °C.

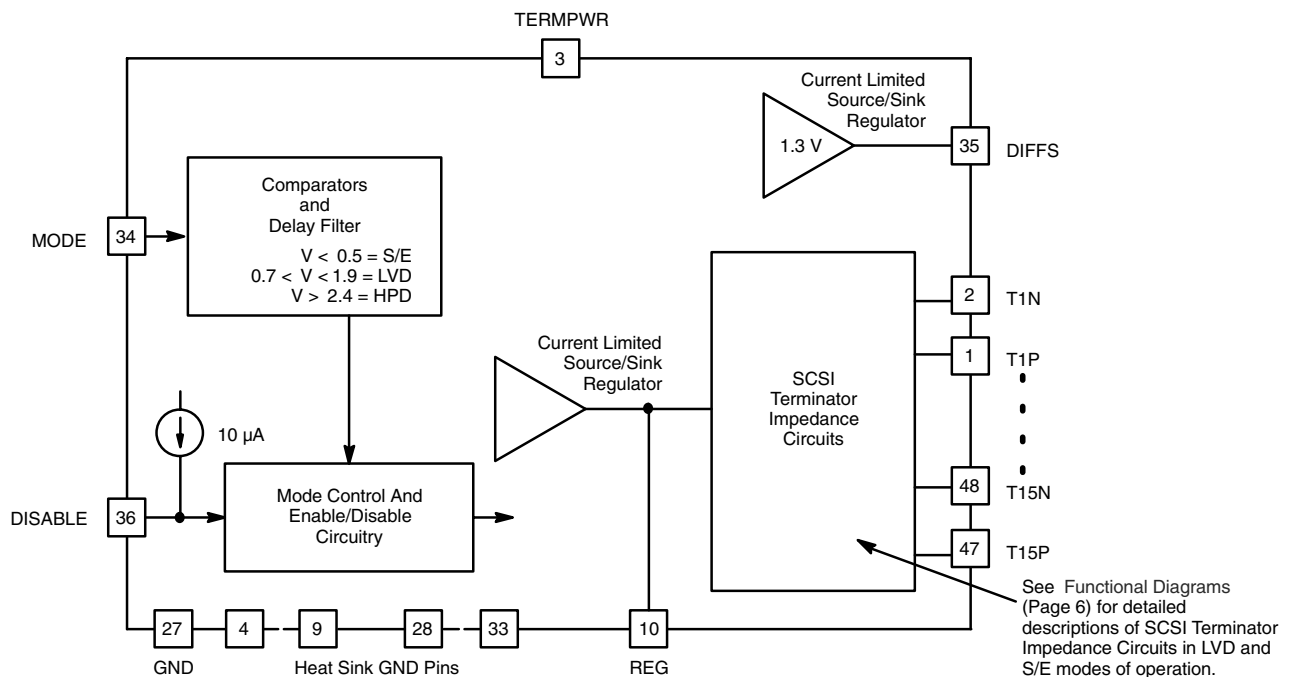
FEATURES

- Auto selection of S/E or LVD SCSI termination
- 2.7 V to 5.25 V TERMPWR range
- Meets SCSI-1, SCSI-2, SPI-2 (ULTRA-2), SPI-3 (ULTRA-160) and SPI-4 (ULTRA-320) standards
- Integrated SPI-3 mode change delay filter
- Differential failsafe bias
- Thermal package
- On-chip thermal shutdown circuit
- Active negation
- Hot swap compatible
- Pin compatible with UCC5638
- SQFP-48 package

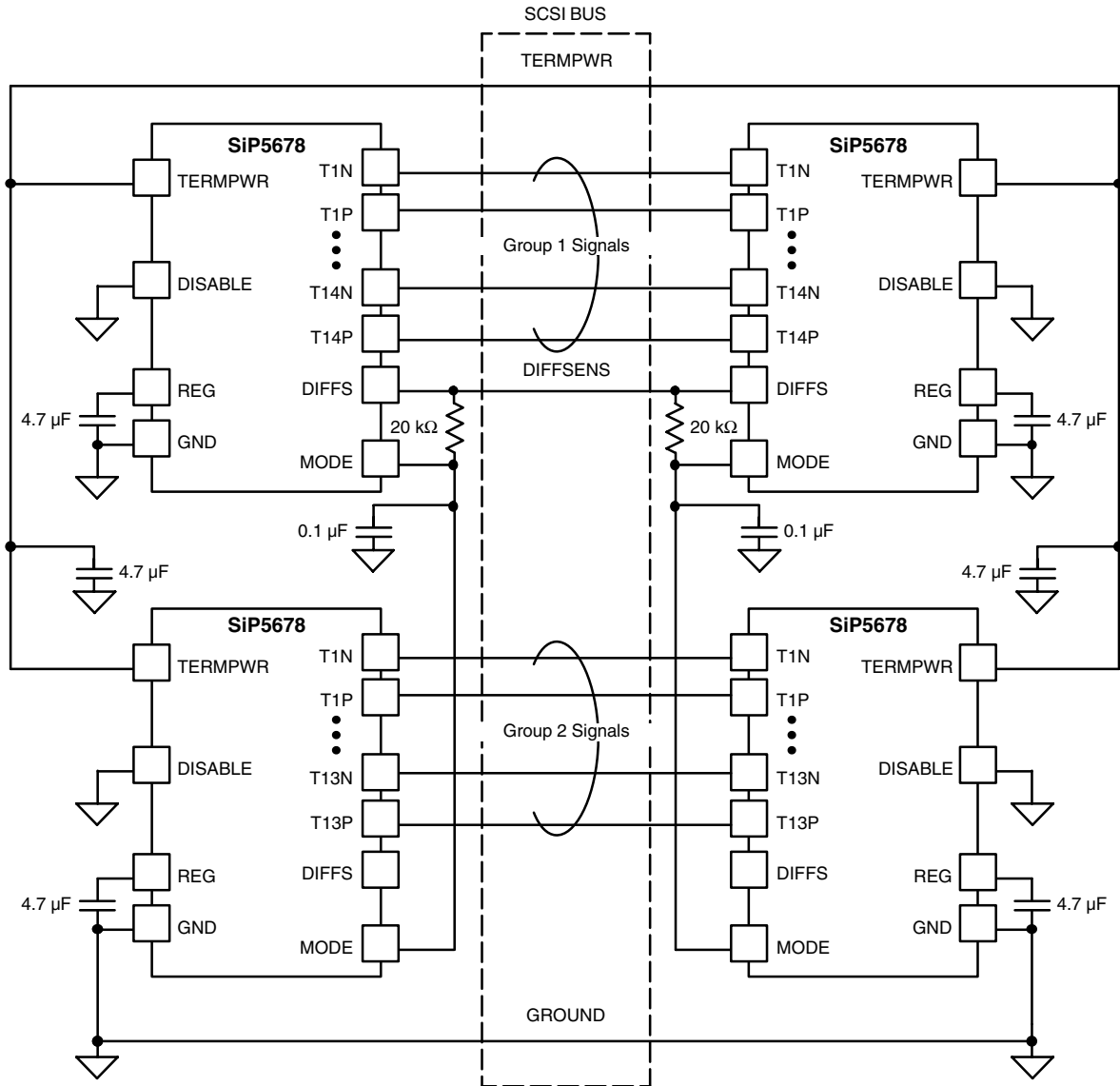
APPLICATIONS

- Disk array (RAID)
- Storage area networks (SAN)
- Network attached storage (NAS)
- SCSI cable
- Server and workstation
- Industrial computers
- High-end personal computers

FUNCTIONAL BLOCK DIAGRAM



TYPICAL APPLICATION DIAGRAM



Group 1 Signals:

DB(0), DB(1), DB(2), DB(3), DB(4), DB(5), DB(6), DB(7), DB(P), DB(12), DB(13), DB(14), DB(15), DB(P1)

Group 2 Signals:

ATN, BSY, ACK, RST, MSG, SEL, C/D, REQ, I/O, DB(8), DB(9), DB(10), DB(11)

ABSOLUTE MAXIMUM RATINGS (all voltages referenced to GND = 0 V)		
Parameter	Limit	Unit
TERMPWR	6	V
TXN, TXP	- 0.3 to 6	
MODE, DISABLE, M/S, STATUS	- 0.3 to 6	
Storage Temperature	- 65 to 125	°C
Junction Temperature	150	

Stresses beyond those listed under "Absolute Maximum Ratings" may cause permanent damage to the device. These are stress ratings only, and functional operation of the device at these or any other conditions beyond those indicated in the operational sections of the specifications is not implied. Exposure to absolute maximum rating conditions for extended periods may affect device reliability.

RECOMMENDED OPERATING RANGE (all voltages referenced to GND = 0 V)		
Parameter	Limit	Unit
TERMPWR	2.7 to 5.25	V
Operating Temperature Range (T _A)	0 to 70	°C

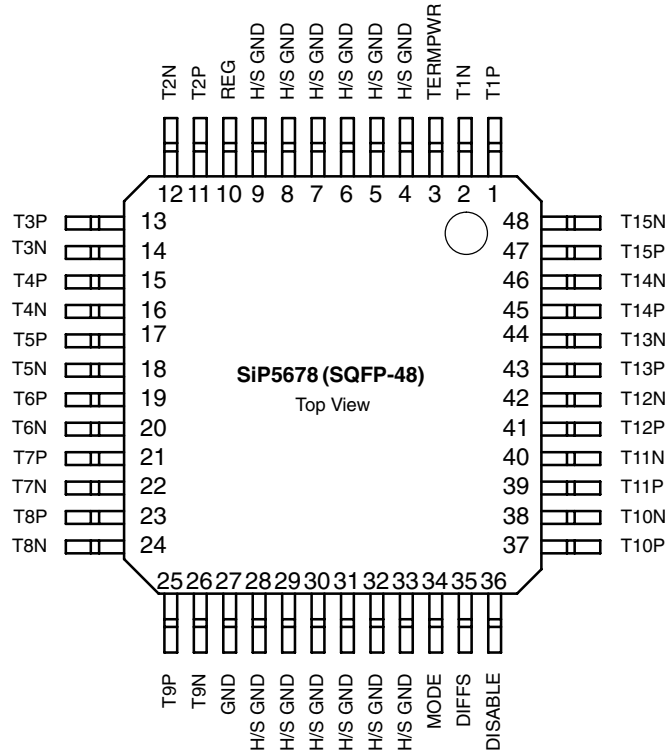
SPECIFICATIONS							
Parameter	Symbol	Test Conditions Unless Specified TERMPWR = 2.7 V to 5.25 V, DISABLE = 0 V T _A = T _J = 0 °C to 70 °C	Limits			Unit	
			Min. ^a	Typ. ^b	Max. ^a		
SCSI Channels (T1 to T15), LVD Operation							
Differential Impedance	Z _{DIFF}	MODE = 1.3 V	100	105	110	Ω	
Common Mode Impedance	Z _{CM}		120	140	160		
Differential Failsafe Bias	V _{DIFF}		100	112	125	mV	
Common Mode Bias	V _{CM}		1.15	1.25	1.35	V	
SCSI Channels (T1 to T15), S/E Operation							
Impedance	Z _{S/E}	MODE = 0 V	100	108	116	Ω	
Bias Voltage	V _{S/E}		2.5	2.7	3.0	V	
Output Current	I _{S/E}	MODE = 0 V	Channel voltage = 0.2 V	- 25.4	- 23	- 20.5	mA
			Channel voltage = 0.5 V	- 22.4			
GND Driver Impedance	Z _{GS}	MODE = 0 V, I _{TEST} = 10 mA			30	60	Ω
SCSI Channels (T1 to T15), Termination Disabled							
Channel Leakage ^c	I _L	Channel voltage = 0 to 5 V		- 500	0	500	nA
Channel Capacitance ^{c, d}	C _T	Referenced to GND			3		pF
SCSI Regulator, LVD Mode							
Output Voltage	V _{REG(LVD)}	0.5 V ≤ V _{CM} ≤ 2.0 V ^e		1.15	1.25	135	V
Source Current	I _{SO(LVD)}	V _{REG} = 0 V		- 1000	- 600	- 400	mA
Sink Current	I _{SI(LVD)}	V _{REG} = 4 V		200	400	700	
SCSI Regulator, S/E Mode							
Output Voltage	V _{REG(S/E)}	0.2 V ≤ V _{CM} ≤ 4.0 V ^f		2.5	2.7	3.0	V
Source Current	I _{SO(S/E)}	V _{REG} = 0 V		- 1000	- 600	- 400	mA
Sink Current	I _{SI(S/E)}	V _{REG} = 4 V		200	400	700	
DIFFSENS Regulator							
Output Voltage	V _{DIFFS}	- 5 mA ≤ I _{DIFFS} ≤ 50 μA		1.2	1.3	1.4	V
Source Current	I _{SO(DIFFS)}	V _{DIFFS} = 0 V		- 15	- 8	- 5	mA
Sink Current	I _{SI(DIFFS)}	V _{DIFFS} = 2.75 V		50	100	200	μA
DISABLE Input							
Input Threshold	V _{TH(DIS)}			0.8	1.0	1.2	V
Input Current	I _{IN(DIS)}	0 V ≤ V _{DISABLE} ≤ 1.2 V		- 30	- 10	- 3	μA
		V _{DISABLE} > 1.2 V		- 30	0	10	

SPECIFICATIONS						
Parameter	Symbol	Test Conditions Unless Specified TERMPWR = 2.7 V to 5.25 V, DISABLE = 0 V $T_A = T_J = 0\text{ }^\circ\text{C to }70\text{ }^\circ\text{C}$	Limits			Unit
			Min. ^a	Typ. ^b	Max. ^a	
MODE Input						
S/E to LVD Threshold	$V_{TH(S/E)}$		0.5	0.6	0.7	V
LVD to HPD Threshold	$V_{TH(HPD)}$		1.9	2.1	2.4	
Input Current	$I_{IN(MODE)}$	$0\text{ V} \leq V_{MODE} \leq 5.25\text{ V}$	- 1	0	1	μA
Mode Change Delay	t_{DEL}		100	200	400	ms
THERMAL Shutdown						
Shutdown Temperature ^d	T_{OFF}	Rising temperature		160		$^\circ\text{C}$
Hysteresis ^d	T_{HYS}			10		
TERMPWR Supply						
LVD Mode	$I_{DD(LVD)}$	MODE = 1.3 V, channels unloaded		25	35	mA
S/E Mode	$I_{DD(S/E)}$	MODE = 0 V, channels unloaded		10	20	
HPD Mode	$I_{DD(HPD)}$	MODE = 3 V		10	20	
Disabled Mode	$I_{DD(DIS)}$	DISABLE = 3 V		500	1000	μA

Notes:

- The algebraic convention whereby the most negative value is a minimum and the most positive a maximum is used in this datasheet.
- Typical values are for DESIGN AID ONLY, not guaranteed nor subject to production testing.
- MODE = 3 V and/or DISABLE = 3 V and/or TERMPWR = 0 V.
- Guaranteed by design, not subject to production test.
- V_{CM} applied simultaneously to line PLUS and Line MINUS pins of all SCSI channels T1-T15.
- V_{CM} applied simultaneously to line MINUS pins of all SCSI channels T1-T15.

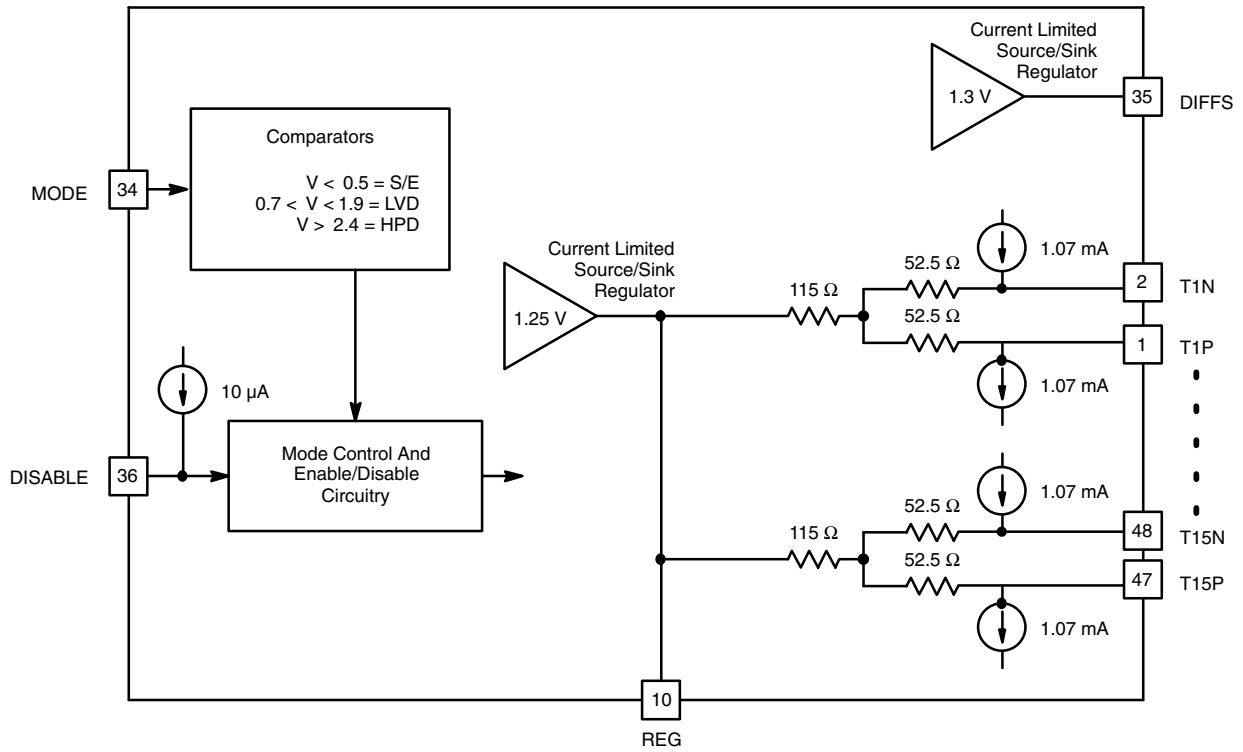
PIN CONFIGURATION AND ORDERING INFORMATION



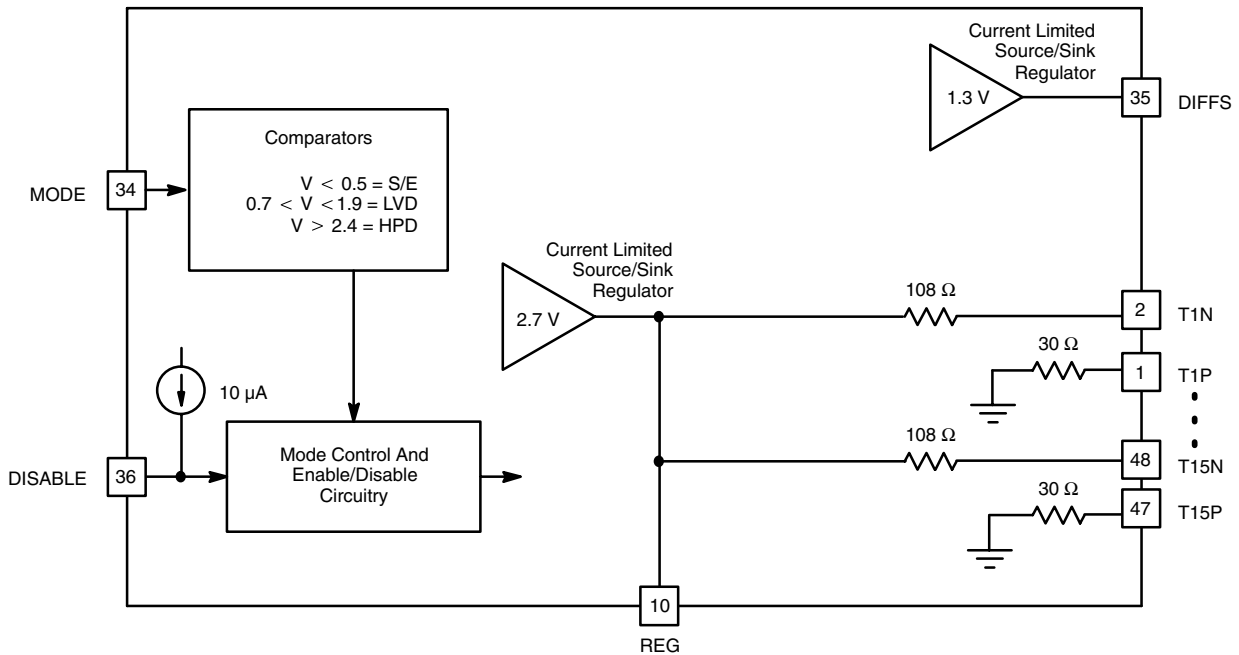
ORDERING INFORMATION		
Part Number	Temperature Range	Marking
SiP5678CS-TR-E3	0 °C to 70 °C	SiP5678CS

PIN DESCRIPTION		
Pin	Name	Function
1, 11, 13, 15, 17, 19, 21, 23, 25, 37, 39, 41, 43, 45, 47	TXP; X = 1...15	Positive terminator channel pins. Provide positive signal line termination in LVD operation, and are connected to GND through low impedance in S/E operation. In HPD, DISABLE, or power off condition these pins present high impedance to the SCSI bus.
2, 12, 14, 16, 18, 20, 22, 24, 26, 38, 40, 42, 44, 46, 48	TXN; X = 1...15	Negative terminator channel pins. Provide negative signal line termination in LVD operation, and line termination for S/E operation. In HPD, DISABLE, or power off condition these pins present high impedance to the SCSI bus.
3	TERMPWR	Power for the terminator IC. Connect to the TERMPWR lines on the SCSI bus and decouple with a 4.7 μF capacitor to GND at the IC.
4, 5, 6, 7, 8, 9, 28, 29, 30, 31, 32, 33	H/S GND	Heat sink ground. Should be connected to as large a grounded heat sink area on the PC board as is practical.
10	REG	SCSI regulator output. Connect a 4.7 μF bypass capacitor from this pin to GND.
27	GND	Electrical ground connection for the terminator IC. Connect to the ground lines of the SCSI Bus
34	MODE	SCSI MODE select pin. Connect to the DIFFSENS line of the SCSI bus to sense the present mode of operation on the bus. An internal time delay filter is provided but it is recommended to decouple MODE from the DIFFSENS signal with a 20 kΩ/0.1 μF anti-aliasing filter for reliable operation in noisy environments.
35	DIFFS	DIFFSENS regulator output. Connect to the DIFFSENS line of the SCSI bus to bias the mode selection function.
36	DISABLE	Chip disable. There is a small (nominal 10 μA) pull up current on this pin. Pull this pin to GND to enable bus termination. When this pin is left floating or pulled high all SCSI channel pins present high impedance to the SCSI bus, and the SCSI regulator and DIFFSENS regulator are both disabled.

FUNCTIONAL BLOCK DIAGRAM - LVD OPERATION

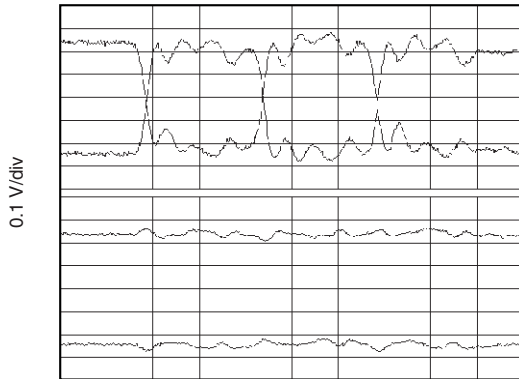


FUNCTIONAL BLOCK DIAGRAM - S/E OPERATION

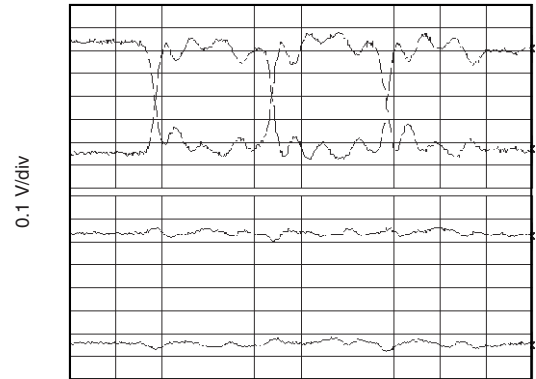


LVD WAVEFORMS

160 Mbyte/s data transfer. Top panel DB10 T- and T+ signals. Bottom panel DB9 T- and T+ signals. All bits except DB9 toggling at maximum data rate.



5 ns/div
TEMPWR = 5.25 V



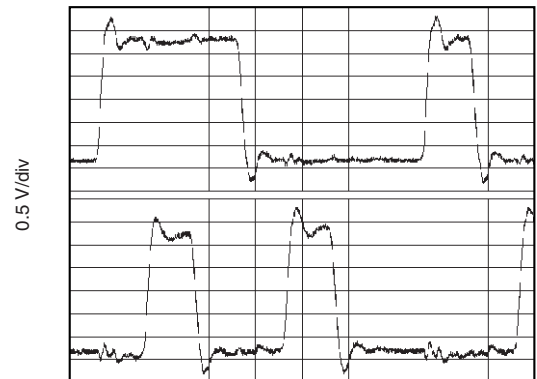
5 ns/div
TEMPWR = 2.70 V

S/E WAVEFORMS

40 Mbyte/s data transfer. Top panel DB10 T- signals. Bottom panel DB9 T- signals.

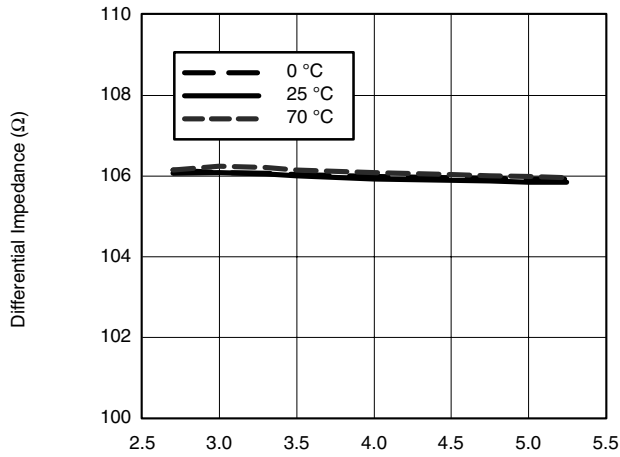


50 ns/div
TEMPWR = 5.25 V

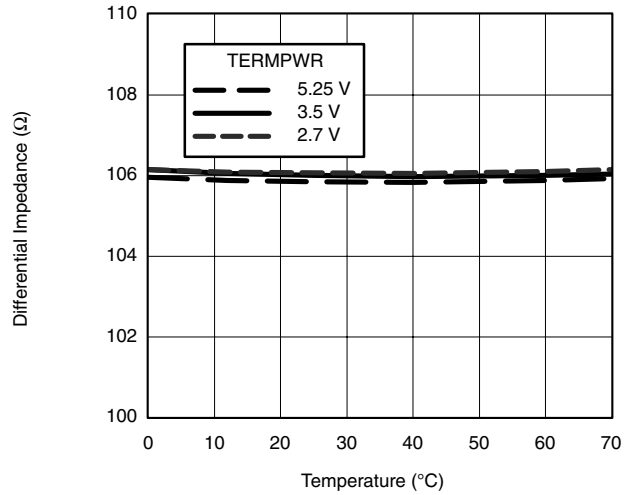


50 ns/div
TEMPWR = 2.70 V

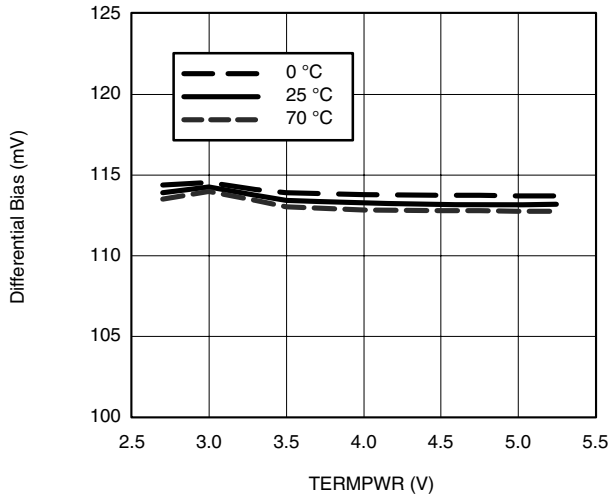
LVD TYPICAL CHARACTERISTICS



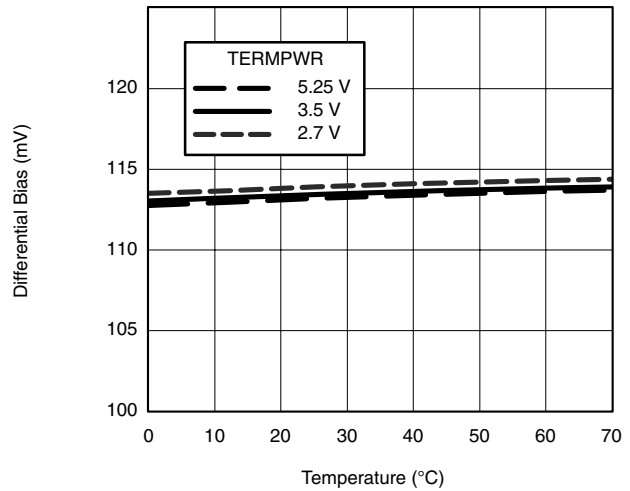
Differential Impedance vs. TERMPWR



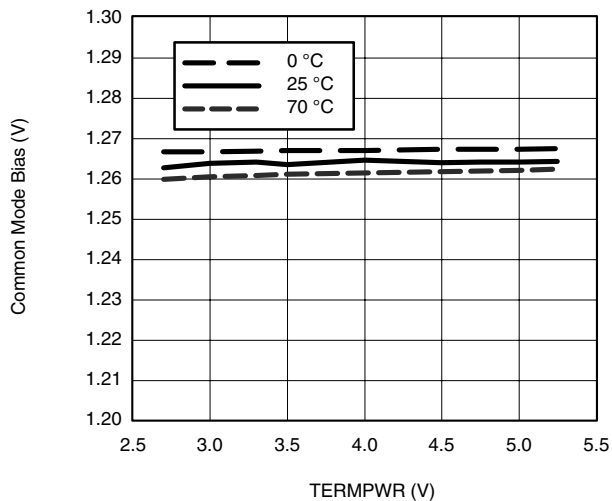
Differential Impedance vs. Temperature



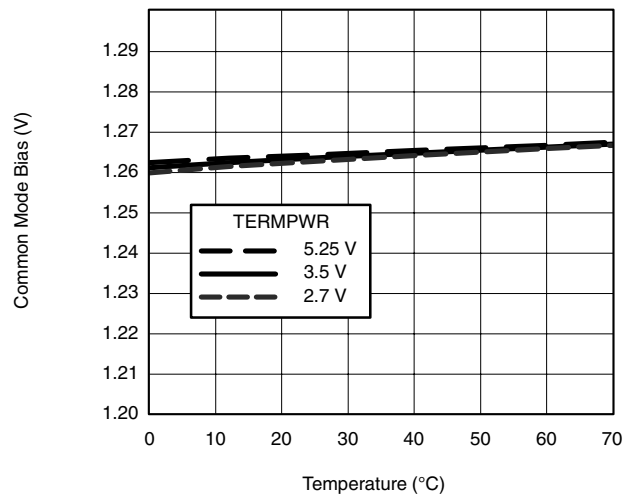
Differential Fail-Safe Bias vs. TERMPWR



Differential Fail-Safe Bias vs. Temperature

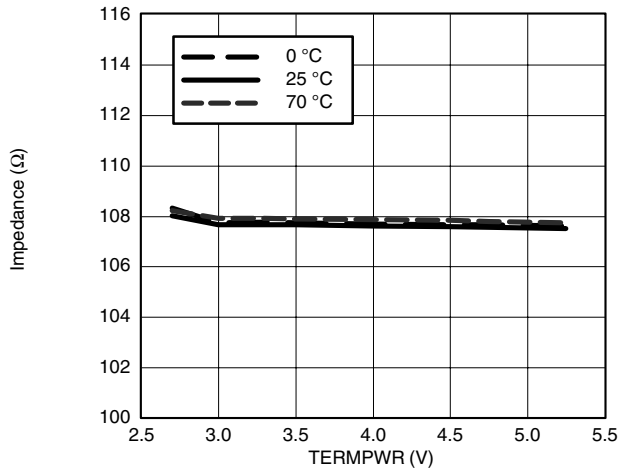


Common Mode Bias vs. TERMPWR

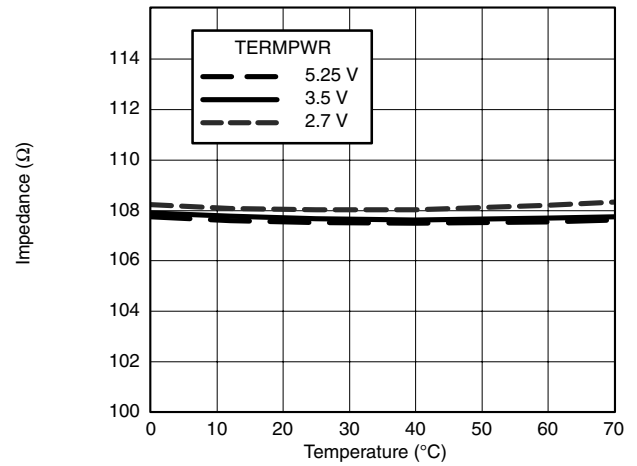


Common Mode Bias vs. Temperature

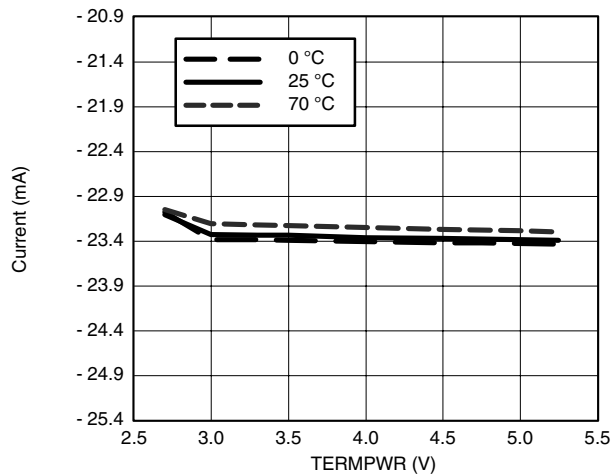
SE TYPICAL CHARACTERISTICS



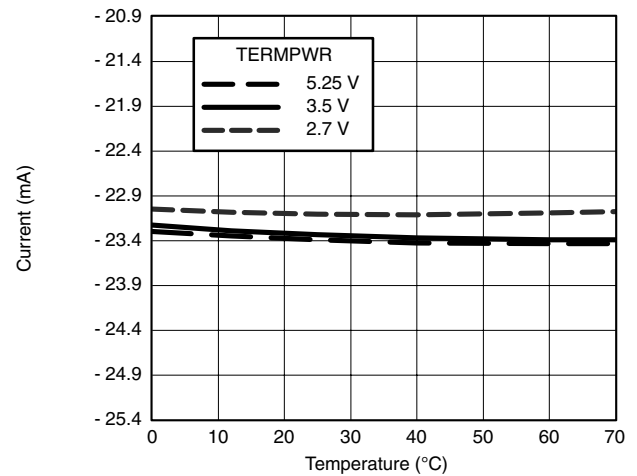
Impedance vs. TERMPWR



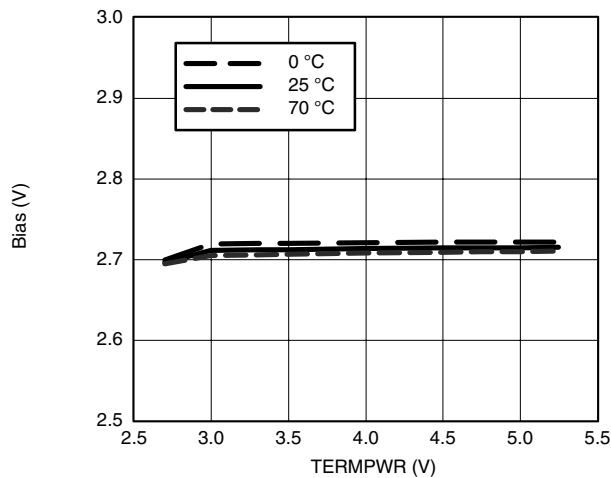
Impedance vs. Temperature



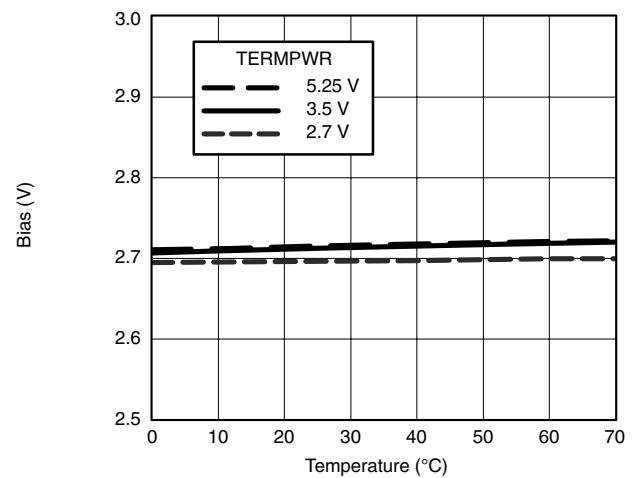
Output Current at 0.2 V vs. TERMPWR



Output Current at 0.2 V vs. Temperature



Bias vs. TERMPWR



Bias vs. Temperature

DETAILED OPERATION

The SiP5678 is a multimode active terminator IC, which detects the operating mode of the SCSI bus, and switches to the appropriate termination configuration accordingly.

Two SiP5678 terminators are required at each end of a wide SCSI bus to terminate 27 lines (18 data, 9 control). In LVD mode the SiP5678 provides 105 Ω differential impedance and 112 mV differential bias between each TN/TP pair of terminator lines. In S/E mode the SiP5678 provides 108 Ω impedance and 2.7 V pull-up on each TxN pin, and low impedance to ground on each TxP pin. In HPD mode the SiP5678 disconnects from the bus and presents high impedance to all TN/TP lines.

Each SiP5678 IC has a 1.3 V DIFFSENS regulator output that can be used to drive the DIFFSENS line of a SCSI bus. The DIFFSENS regulator attempts to drive the DIFFSENS control signal to 1.3 V, but is current limited so that S/E or HPD devices on the SCSI bus can override the DIFFSENS regulator and put the bus into S/E or HPD mode of operation.

The MODE pin senses the operational state of the SCSI bus by detecting the voltage on the DIFFSENS control line. There is an integrated 200 ms glitch filter on the MODE input for reliable operation in a noisy environments.

On power up, the SiP5678 initially defaults to a high impedance state on the termination pins. If the MODE pin detects S/E or LVD level on the DIFFSENS signal of the SCSI bus the SiP5678 will wait a standard delay (200 ms typical) before changing its operating mode. During regular operation if the MODE pin detects another bus mode change the SiP5678 again waits a standard delay before changing its operating mode. This mode change delay is implemented in accordance with SCSI standards SPI-3 and higher.

The DISABLE pin is used to connect/disconnect the SiP5678. If it is pulled to GROUND the SiP5678 is in connect mode, and operates as a terminator. If it is pulled to TRMPWR or left open the device is in disconnect mode and presents high impedance to the SCSI bus. In disconnect mode the DIFFSENS regulator is disabled.

The SiP5678 operates within SCSI specifications with the TERMPWR voltage between 2.7 V and 5.25 V, which enables it to operate in both 5 V and 3.3 V systems. The 2.7 V lower limit guarantees correct performance in a 3.3 V system.



Disclaimer

All product specifications and data are subject to change without notice.

Vishay Intertechnology, Inc., its affiliates, agents, and employees, and all persons acting on its or their behalf (collectively, "Vishay"), disclaim any and all liability for any errors, inaccuracies or incompleteness contained herein or in any other disclosure relating to any product.

Vishay disclaims any and all liability arising out of the use or application of any product described herein or of any information provided herein to the maximum extent permitted by law. The product specifications do not expand or otherwise modify Vishay's terms and conditions of purchase, including but not limited to the warranty expressed therein, which apply to these products.

No license, express or implied, by estoppel or otherwise, to any intellectual property rights is granted by this document or by any conduct of Vishay.

The products shown herein are not designed for use in medical, life-saving, or life-sustaining applications unless otherwise expressly indicated. Customers using or selling Vishay products not expressly indicated for use in such applications do so entirely at their own risk and agree to fully indemnify Vishay for any damages arising or resulting from such use or sale. Please contact authorized Vishay personnel to obtain written terms and conditions regarding products designed for such applications.

Product names and markings noted herein may be trademarks of their respective owners.