

kHz Band Ceramic Filters

KBF Series

Features

- 1) Compact, with high selectivity
- 2) Low insertion loss
- 3) Adjustment-free
- 4) Wide choice of passbands

How To Order

KBF - 455 R - 20 A

- ① ② ③ ④ ⑤

- ① Model (Kyocera Bulk Filter)
 ② Center frequency

450	450kHz
455	455kHz

- ③ Number of ceramic elements

R	6-element
P	4-element

- ④ Passband width (at 6dB)

# Elements	Total Bandwidth, kHz
6-element	20, 15, 12, 10, 9, 7, 6, 4
4-element	25, 20, 15, 12, 10, 9, 7, 6, 4

- ⑤

A	High selectivity type
AS	Ultra high selectivity type

Marking

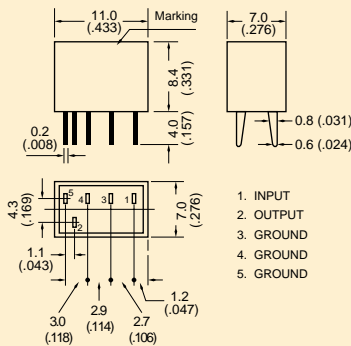


- ① Passband width (at 6dB)
 ② Manufacturing monthly code
 ③ Case color

Blue	KBF-455P/R Series
Green	KBF-450P/R Series

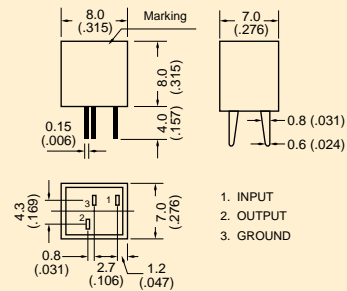
Dimensions

KBF-R series (6-element)



1. INPUT
2. OUTPUT
3. GROUND
4. GROUND
5. GROUND

KBF-P series (4-element)

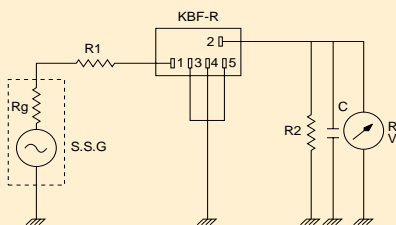


1. INPUT
2. OUTPUT
3. GROUND

Unit: mm (inch)

Test Circuits

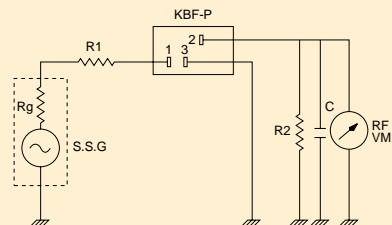
KBF-R series (6-element)



$R1 + Rg = R2 =$ Input/output impedance rating

- $C \leq 50\text{pF}$
 (Including tool strays, wiring capacitance and RF V. M. input capacitance)

KBF-P series (4-element)



$R1 + Rg = R2 =$ Input/output impedance rating

- $C \leq 50\text{pF}$
 (Including tool strays, wiring capacitance and RF V. M. input capacitance)

kHz Band Ceramic Filters

KBF Series

Specifications (KBF-455 Series)

R (6-element) type

Part No.	Center Frequency (fo)	Ripple	Bandwidth		Stop Band Attenuation	Insertion Loss	Input/output Impedance	Operating Temp. Range	Group Delay Time
			6dB	50dB					
KBF-455R-30K	455kHz±1.5kHz	2.0dB min.	±15.0kHz min.	±30.0kHz max.	40dB min.	4dB max.	1.5kΩ	-20°C to +80°C	30 μsec. max. (455±10kHz)
KBF-455R-25K			±12.5kHz min.	±25.0kHz max.					30 μsec. max. (455±8kHz)
KBF-455R-20A			±10.0kHz min.	±20.0kHz max.	37dB min.	6dB max.	2.0kΩ		
KBF-455R-15A			±7.5kHz min.	±15.0kHz max.					
KBF-455R-12A			±6.0kHz min.	±12.5kHz max.					
KBF-455R-10A			±5.0kHz min.	±12.0kHz max.					
KBF-455R-9A	±4.5kHz min.	±10.0kHz max.	55dB min.						
KBF-455R-7A	±3.5kHz min.	±9.0kHz max.							
KBF-455R-6AS	±3.0kHz min.	±9.0kHz max.							
KBF-455R-4AS	455kHz±1.0kHz		±2.0kHz min.	±7.5kHz max.					

P (4-element) type

Part No.	Center Frequency (fo)	Ripple	Bandwidth		Stop Band Attenuation	Insertion Loss	Input/output Impedance	Operating Temp. Range	Group Delay Time
			6dB	40dB					
KBF-455P-30K	455kHz±1.5kHz	2.0dB max.	±15.0kHz min.	±35.0kHz max.	27dB min.	4dB max.	1.5kΩ	-20°C to +80°C	30 μsec. max. (455±10kHz)
KBF-455P-25K			±12.5kHz min.	±30.0kHz max.					30 μsec. max. (455±8kHz)
KBF-455P-25A			±12.5kHz min.	±24.0kHz max.	6dB max.	2.0kΩ			
KBF-455P-20A			±10.0kHz min.	±20.0kHz max.					
KBF-455P-15A			±7.5kHz min.	±15.0kHz max.					
KBF-455P-12A			±6.0kHz min.	±12.5kHz max.					
KBF-455P-10A	±5.0kHz min.	±11.0kHz max.	35dB min.						
KBF-455P-9A	±4.5kHz min.	±10.0kHz max.							
KBF-455P-7A	±3.5kHz min.	±9.0kHz max.							
KBF-455P-6AS	455kHz±1.0kHz		±3.0kHz min.	±9.0kHz max.					
KBF-455P-4AS			±2.0kHz min.	±7.5kHz max.					

Specifications (KBF-450 Series)

R (6-element) type

Part No.	Center Frequency (fo)	Ripple	Bandwidth		Stop Band Attenuation	Insertion Loss	Input/output Impedance	Operating Temp. Range	Group Delay Time
			6dB	50dB					
KBF-450R-30K	450kHz±1.5kHz	2.0dB min.	±15.0kHz min.	±30.0kHz max.	40dB min.	4dB max.	1.5kΩ	-20°C to +80°C	30 μsec. max. (455±10kHz)
KBF-450R-25K			±12.5kHz min.	±25.0kHz max.					30 μsec. max. (455±8kHz)
KBF-450R-20A			±10.0kHz min.	±20.0kHz max.	37dB min.	6dB max.	2.0kΩ		
KBF-450R-15A			±7.5kHz min.	±15.0kHz max.					
KBF-450R-12A			±6.0kHz min.	±12.5kHz max.					
KBF-450R-10A			±5.0kHz min.	±12.0kHz max.					
KBF-450R-9A	±4.5kHz min.	±10.0kHz max.	55dB min.						
KBF-450R-7A	±3.5kHz min.	±9.0kHz max.							
KBF-450R-6AS	±3.0kHz min.	±9.0kHz max.							
KBF-450R-4AS	450kHz±1.0kHz		±2.0kHz min.	±7.5kHz max.					

P (4-element) type

Part No.	Center Frequency (fo)	Ripple	Bandwidth		Stop Band Attenuation	Insertion Loss	Input/output Impedance	Operating Temp. Range	Group Delay Time
			6dB	40dB					
KBF-450P-30K	450kHz±1.5kHz	2.0dB max.	±15.0kHz min.	±35.0kHz max.	27dB min.	4dB max.	1.5kΩ	-20°C to +80°C	30 μsec. max. (455±10kHz)
KBF-450P-25K			±12.5kHz min.	±30.0kHz max.					30 μsec. max. (455±8kHz)
KBF-450P-25A			±12.5kHz min.	±24.0kHz max.	6dB max.	2.0kΩ			
KBF-450P-20A			±10.0kHz min.	±20.0kHz max.					
KBF-450P-15A			±7.5kHz min.	±15.0kHz max.					
KBF-450P-12A			±6.0kHz min.	±12.5kHz max.					
KBF-450P-10A	±5.0kHz min.	±11.0kHz max.	35dB min.						
KBF-450P-9A	±4.5kHz min.	±10.0kHz max.							
KBF-450P-7A	±3.5kHz min.	±9.0kHz max.							
KBF-450P-6AS	450kHz±1.0kHz		±3.0kHz min.	±9.0kHz max.					
KBF-450P-4AS			±2.0kHz min.	±7.5kHz max.					