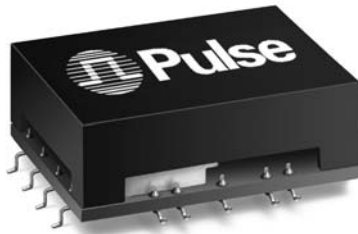


# DIPLEXERS FOR HFC EQUIPMENT AND CABLE MODEMS

## For International Applications



- Ideal for HFC equipment, cable modem and set top box equipment
- Improved performance
- Small surface mount component
- 65/85MHz frequency splits<sup>1</sup>
- 5 - 870MHz range

### Electrical Specifications @ 25°C — Operating Temperature -40°C to +85°C

Part No.	Low Pass Filter		High Pass Filter			Impedance (All Ports) (Ω)	Crossover Isolation @ 65-85MHz (dB MIN)	Floor Isolation (dB MIN)		
	Passband (dB) (Insertion Loss) @ 5-65MHz	Return Loss (dB) @ 5-65MHz	Passband (dB) (Insertion Loss) @ 85-870MHz	Return Loss (dB)				@ 5-65MHz	@ 85-400MHz	@ 400-870MHz
				@ 85-750MHz	@ 751-870MHz					
CX6006	<1.2	≥20	<1.2	≥20	≥18	75	30	45	43	37
CX6006L	<1.2	≥18	<1.2	≥18	≥16	75	28	45	43	37

NOTES: 1. Additional frequencies are supported upon request. Contact Pulse Applications Engineering.

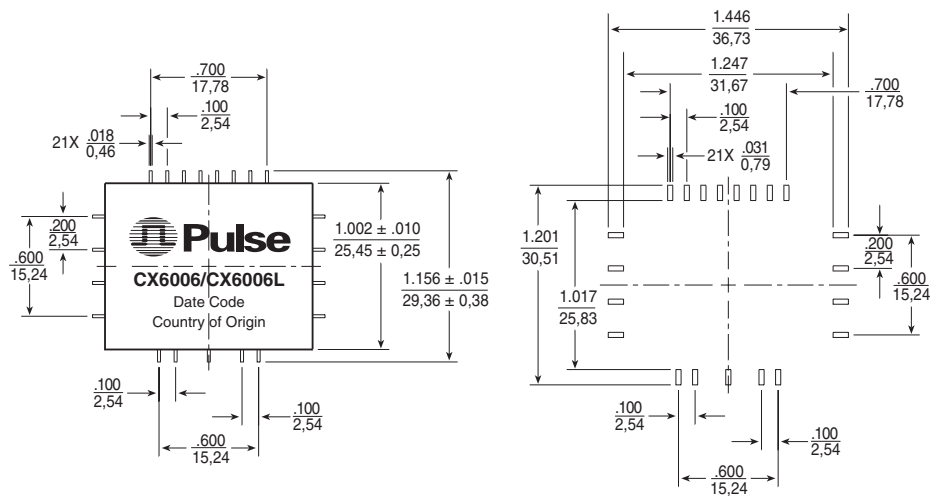
CX6006 - capable of withstanding 500Vdc

CX6006L (Cost-effective) - capable of withstanding 50Vdc

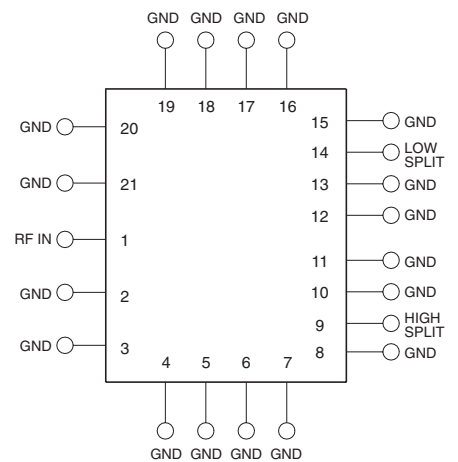
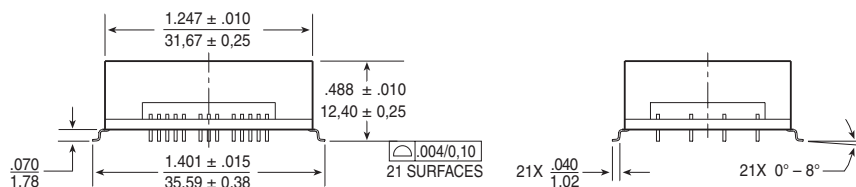
### Mechanical

### Block Diagram

#### CX6006/CX6006L



#### SUGGESTED PAD LAYOUT



Weight ..... 8.5 grams

Tray ..... .56/tray

Dimensions: Inches  
mm

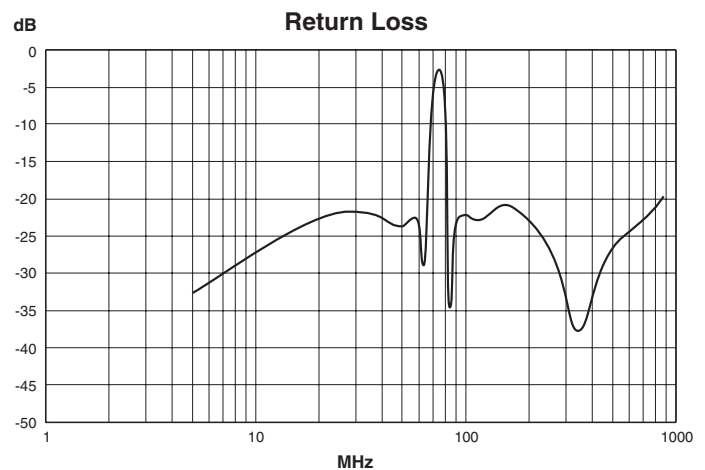
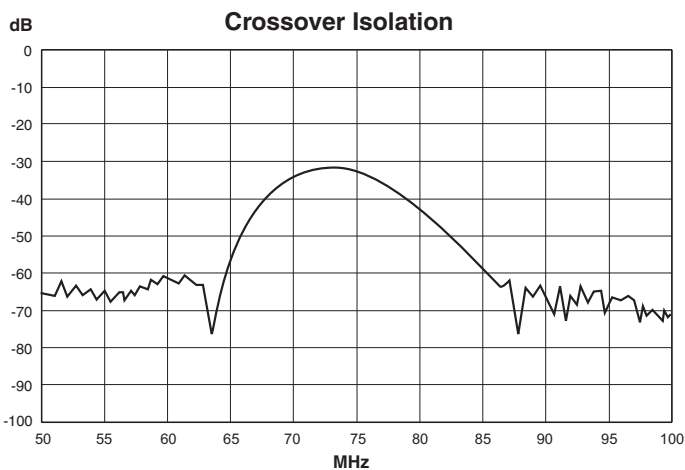
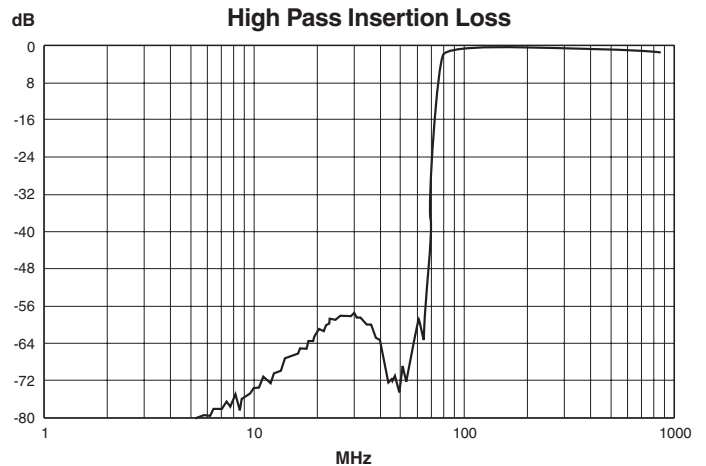
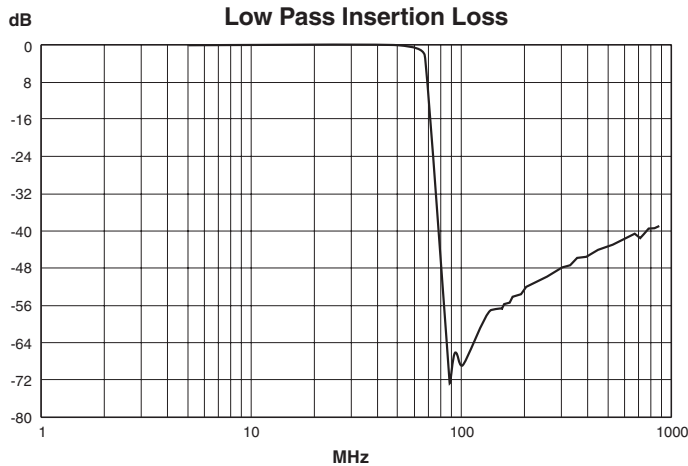
Unless otherwise specified, all tolerances are ±  $\frac{.010}{0.25}$

# DIPLEXERS FOR HFC EQUIPMENT AND CABLE MODEMS

## For International Applications



### Typical Performance @ 25°C CX6006 and CX6006L



### For More Information :

UNITED STATES (Worldwide)	UNITED KINGDOM (Northern Europe)	FRANCE (Southern Europe)	SINGAPORE (Southern Asia)	TAIWAN, R.O.C. (Northern Asia)	HONG KONG (China/Hong Kong)	DISTRIBUTOR
12220 World Trade Drive San Diego, CA 92128 U.S.A. <a href="http://www.pulseeng.com">http://www.pulseeng.com</a> TEL: 858 674 8100 FAX: 858 674 8262	1 & 2 Huxley Road The Surrey Research Park Guildford, Surrey GU2 5RE United Kingdom TEL: 44 1483 401700 FAX: 44 1483 401701	Zone Industrielle F-39270 Orgelet France TEL: 33 3 84 35 04 04 FAX: 33 3 84 25 46 41	150 Kampong Ampat #07-01/02 KA Centre Singapore 368324 TEL: 65 6287 8998 FAX: 65 6280 0080	3F-4, No. 81, Sec. 1 HsinTai Wu Road Hsi-Chih, Taipei Hsien Taiwan, R.O.C. Tel: 886 2 2698 0228 FAX: 886 2 2698 0948	9/F, Phase 2, Tai Sang Shatin Warehouse Centre 6 Wong Chuk Yeung Street Fotan, Shatin, Hong Kong TEL: 852 2788 6588 FAX: 852 2776 1055	

Performance warranty of products offered on this data sheet is limited to the parameters specified. Data is subject to change without notice. Other brand and product names mentioned herein may be trademarks or registered trademarks of their respective owners.