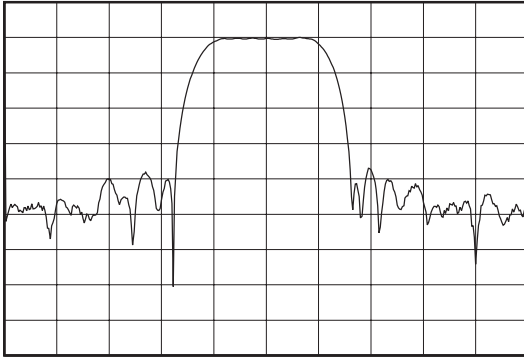
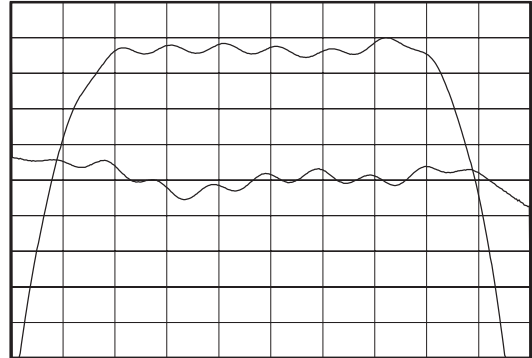


Data Sheet

Typical Performance



Horizontal: 700 kHz/Div
Vertical: 10 dB/Div



Horizontal: 200 kHz/Div
Vertical: 1 dB/Div
Vertical: 5 deg/Div

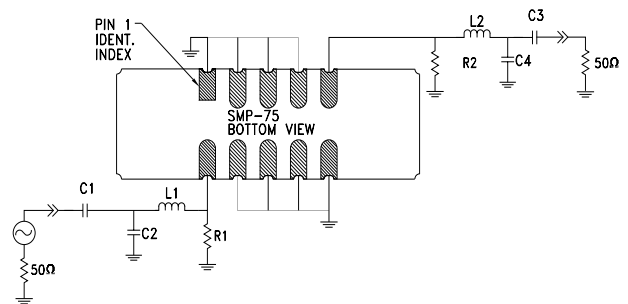
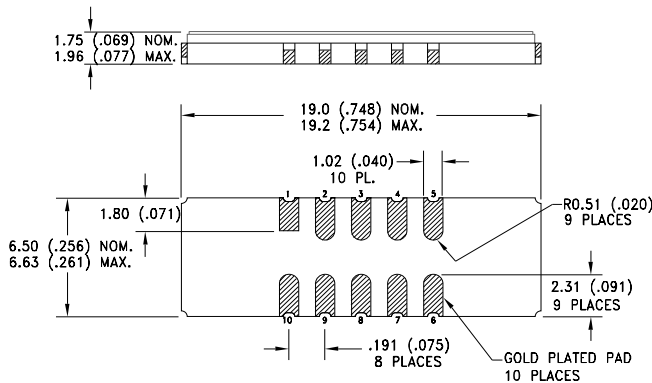
Specifications

Parameter	Unit	Minimum	Typical	Maximum
Center Frequency	MHz	-	150	-
Insertion Loss at F_o	dB	-	19.5	25
Lower 1 dB Frequency	MHz	-	149.34	149.41
Upper 1 dB Frequency	MHz	150.59	150.66	-
Lower 30 dB Frequency	MHz	147.75	148.85	-
Upper 30 dB Frequency	MHz	-	151.11	152.25
Phase Linearity ¹	degrees	-	4	5
Return Loss	VSWR	-	1.36:1	1.6:1
Amplitude Ripple	dB	-	0.43	1
Ultimate Rejection	dB	30	42	-
Substrate Material	-	-	Quartz	-
Temperature Range	°C	0	25	80

Package Outline

Matching Configuration

Note 1: Deviation from linear over center 1.23 MHz bandwidth



$R1 = 1k\Omega$, $R2 = 1K\Omega$, $L1 = 120nH$, $L2 = 100nH$
 $C1 = 68pF$, $C2 = 18pF$, $C3 = 39pF$, $C4 = 33pF$
 NOMINAL Source/Load Impedance = 50 Ω
 Package Style SMP-75 03/09/04