



ICS8305I

LOW SKEW, 1-TO-4, MULTIPLEXED DIFFERENTIAL/ LVCMOS-TO-LVCMOS/LVTTL FANOUT BUFFER

GENERAL DESCRIPTION

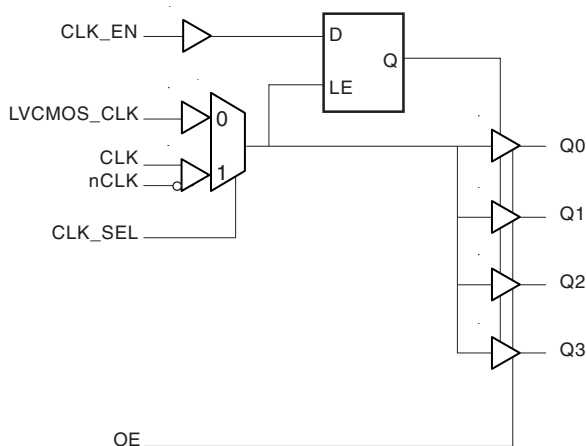
The ICS8305I is a low skew, 1-to-4, Differential/LVCMOS-to-LVCMOS/LVTTL Fanout Buffer. The ICS8305I has selectable clock inputs that accept either differential or single ended input levels. The clock enable is internally synchronized to eliminate runt pulses on the outputs during asynchronous assertion/deassertion of the clock enable pin. Outputs are forced LOW when the clock is disabled. A separate output enable pin controls whether the outputs are in the active or high impedance state.

Guaranteed output and part-to-part skew characteristics make the ICS8305I ideal for those applications demanding well defined performance and repeatability.

FEATURES

- 4 LVCMOS/LVTTL outputs
- Selectable differential or LVCMOS/LVTTL clock inputs
- CLK, nCLK pair can accept the following differential input levels: LVPECL, LVDS, LVHSTL, HCSL, SSTL
- LVCMOS_CLK supports the following input types: LVCMOS, LVTTL
- Maximum output frequency: 350MHz
- Output skew: 40ps (maximum)
- Part-to-part skew: 700ps (maximum)
- Additive phase jitter, RMS: 0.04ps (typical)
- 3.3V core, 3.3V, 2.5V or 1.8V output operating supply
- -40°C to 85°C ambient operating temperature
- Lead-Free package fully RoHS compliant

BLOCK DIAGRAM



PIN ASSIGNMENT

GND	1	16	Q0
OE	2	15	VDD0
VDD	3	14	Q1
CLK_EN	4	13	GND
CLK	5	12	Q2
nCLK	6	11	VDD0
CLK_SEL	7	10	Q3
LVCMSO_CLK	8	9	GND

ICS8305I

16-Lead TSSOP

4.4mm x 3.0mm x 0.92mm package body

G Package

Top View



TABLE 1. PIN DESCRIPTIONS

Number	Name	Type		Description
1, 9, 13	GND	Power		Power supply ground.
2	OE	Input	Pullup	Output enable. When LOW, outputs are in HIGH impedance state. When HIGH, outputs are active. LVCMOS / LVTTL interface levels.
3	V _{DD}	Power		Core supply pin.
4	CLK_EN	Input	Pullup	Synchronizing clock enable. When LOW, the output clocks are disabled. When HIGH, output clocks are enabled. LVCMOS / LVTTL interface levels.
5	CLK	Input	Pulldown	Non-inverting differential clock input.
6	nCLK	Input	Pullup/ Pulldown	Inverting differential clock input. V _{DD} /2 default when left floating.
7	CLK_SEL	Input	Pullup	Clock select input. When HIGH, selects CLK, nCLK inputs. When LOW, selects LVCMOS_CLK input. LVCMOS / LVTTL interface levels.
8	LVCMOS_CLK	Input	Pulldown	LVCMOS / LVTTL clock input.
10, 12, 14, 16	Q3, Q2, Q1, Q0	Output		Clock outputs. LVCMOS / LVTTL interface levels.
11, 15	V _{DDO}	Power		Output supply pins.

NOTE: *Pullup* and *Pulldown* refer to internal input resistors. See Table 2, Pin Characteristics, for typical values.

TABLE 2. PIN CHARACTERISTICS

Symbol	Parameter	Test Conditions	Minimum	Typical	Maximum	Units
C _{IN}	Input Capacitance			4		pF
R _{PULLUP}	Input Pullup Resistor			51		kΩ
R _{PULLDOWN}	Input Pulldown Resistor			51		kΩ
C _{PD}	Power Dissipation Capacitance (per output)			11		pF
R _{OUT}	Output Impedance		5	7	12	Ω



TABLE 3A. CONTROL INPUT FUNCTION TABLE

Inputs				Outputs
OE	CLK_EN	CLK_SEL	Selected Source	Q0:Q3
1	0	0	LVCMOS_CLK	Disabled; LOW
1	0	1	CLK, nCLK	Disabled; LOW
1	1	0	LVCMOS_CLK	Enabled
1	1	1	CLK, nCLK	Enabled
0	X	X		HiZ

NOTE: After CLK_EN switches, the clock outputs are disabled or enabled following a rising and falling input clock edge as shown in Figure 1.

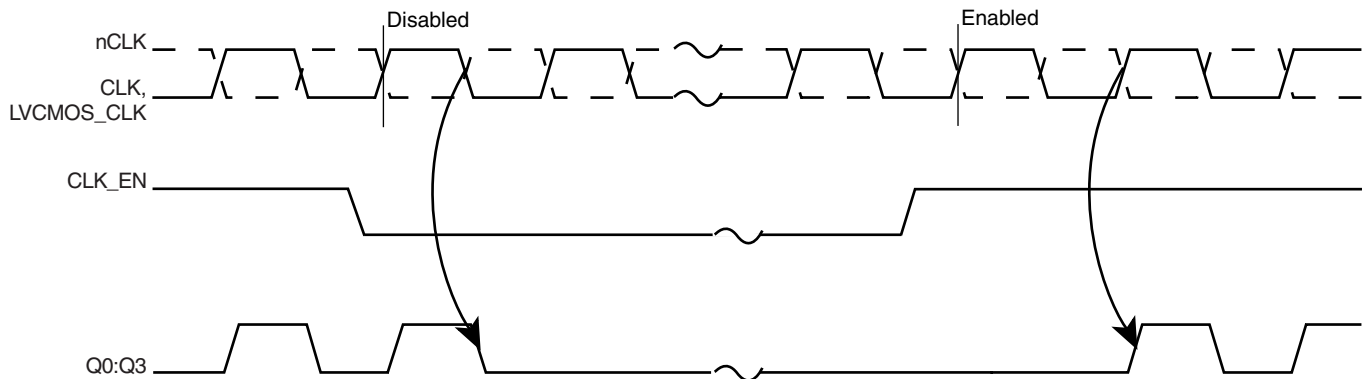


FIGURE 1. CLK_EN TIMING DIAGRAM



ABSOLUTE MAXIMUM RATINGS

Supply Voltage, V_{DD}	4.6V
Inputs, V_i	-0.5V to $V_{DD} + 0.5V$
Outputs, V_o	-0.5V to $V_{DDO} + 0.5V$
Package Thermal Impedance, θ_{JA}	89°C/W (0 lfpm)
Storage Temperature, T_{STG}	-65°C to 150°C

NOTE: Stresses beyond those listed under Absolute Maximum Ratings may cause permanent damage to the device. These ratings are stress specifications only. Functional operation of product at these conditions or any conditions beyond those listed in the *DC Characteristics* or *AC Characteristics* is not implied. Exposure to absolute maximum rating conditions for extended periods may affect product reliability.

TABLE 4A. POWER SUPPLY DC CHARACTERISTICS, $V_{DD} = 3.3V \pm 5\%$, $T_A = -40^\circ C$ TO $85^\circ C$

Symbol	Parameter	Test Conditions	Minimum	Typical	Maximum	Units
V_{DD}	Core Supply Voltage		3.135	3.3	3.465	V
V_{DDO}	Output Supply Voltage		3.135	3.3	3.465	V
			2.375	2.5	2.625	V
			1.65	1.8	1.95	V
I_{DD}	Power Supply Current				21	mA
I_{DDO}	Output Supply Current				5	mA

TABLE 4B. LVCMOS/LVTTL DC CHARACTERISTICS, $V_{DD} = 3.3V \pm 5\%$, $T_A = -40^\circ C$ TO $85^\circ C$

Symbol	Parameter	Test Conditions	Minimum	Typical	Maximum	Units	
V_{IH}	Input High Voltage	CLK_EN, CLK_SEL, OE		2		$V_{DD} + 0.3$	V
		LVCMOS_CLK		2		$V_{DD} + 0.3$	V
V_{IL}	Input Low Voltage	CLK_EN, CLK_SEL, OE		-0.3		0.8	V
		LVCMOS_CLK		-0.3		1.3	V
I_{IH}	Input High Current	CLK_EN, CLK_SEL, OE	$V_{DD} = V_{IN} = 3.465V$			5	μA
		LVCMOS_CLK	$V_{DD} = V_{IN} = 3.465V$			150	μA
I_{IL}	Input Low Current	CLK_EN, CLK_SEL, OE	$V_{DD} = 3.465V, V_{IN} = 0V$	-150			μA
		LVCMOS_CLK	$V_{DD} = 3.465V, V_{IN} = 0V$	-5			μA
V_{OH}	Output High Voltage; NOTE 1		$V_{DDO} = 3.3V \pm 5\%$	2.6			V
			$V_{DDO} = 2.5V \pm 5\%$	1.8			V
			$V_{DDO} = 1.8V \pm 0.15V$	$V_{DDO} - 0.3$			V
V_{OL}	Output Low Voltage; NOTE 1		$V_{DDO} = 3.3V \pm 5\%$			0.5	V
			$V_{DDO} = 2.5V \pm 5\%$			0.5	V
			$V_{DDO} = 1.8V \pm 0.15V$			0.4	V
I_{OZL}	Output Tristate Current Low		-5			μA	
I_{OZH}	Output Tristate Current High				5	μA	

NOTE 1: Outputs terminated with 50Ω to $V_{DDO}/2$. See Parameter Measurement Information, Output Load Test Circuit.



TABLE 4C. DIFFERENTIAL DC CHARACTERISTICS, $V_{DD} = 3.3V \pm 5\%$, $T_A = -40^\circ C$ TO $85^\circ C$

Symbol	Parameter	Test Conditions	Minimum	Typical	Maximum	Units
I_{IH}	Input High Current	nCLK	$V_{IN} = V_{DD} = 3.465V$		150	μA
		CLK	$V_{IN} = V_{DD} = 3.465V$		150	μA
I_{IL}	Input Low Current	nCLK	$V_{IN} = 0V, V_{DD} = 3.465V$	-150		μA
		CLK	$V_{IN} = 0V, V_{DD} = 3.465V$	-5		μA
V_{PP}	Peak-to-Peak Input Voltage		0.15		1.3	V
V_{CMR}	Common Mode Input Voltage; NOTE 1, 2		GND + 0.5		$V_{DD} - 0.85$	V

NOTE 1: For single ended applications, the maximum input voltage for CLK, nCLK is $V_{DD} + 0.3V$.

NOTE 2: Common mode voltage is defined as V_{IH} .

TABLE 5A. AC CHARACTERISTICS, $V_{DD} = V_{DDO} = 3.3V \pm 5\%$, $T_A = -40^\circ C$ TO $85^\circ C$

Symbol	Parameter	Test Conditions	Minimum	Typical	Maximum	Units
f_{MAX}	Output Frequency	Ref = CLK/nCLK			350	MHz
		Ref = LVCMOS_CLK			300	MHz
t_{pLH}	Propagation Delay, Low to High	LVCMOS_CLK; NOTE 1A CLK, nCLK; NOTE 1B	1.75		2.8	ns
$t_{sk(o)}$	Output Skew; NOTE 2, 6	Measured on the Rising Edge			40	ps
$t_{sk(pp)}$	Part-to-Part Skew; NOTE 3, 6				700	ps
f_{jit}	Buffer Additive Phase Jitter, RMS; refer to Additive Phase Jitter section, NOTE 5			0.04		ps
t_R / t_F	Output Rise/Fall Time	20% to 80%	100		700	ps
odc	Output Duty Cycle	$f \leq 200MHz$	45		55	%
		$f > 200MHz$	42		58	%
t_{EN}	Output Enable Time; NOTE 4				5	ns
t_{DIS}	Output Disable Time; NOTE 4				5	ns

NOTE 1A: Measured from the $V_{DD}/2$ of the input to $V_{DDO}/2$ of the output.

NOTE 1B: Measured from the differential input crossing point to $V_{DDO}/2$ of the output.

NOTE 2: Defined as skew between outputs at the same supply voltage and with equal load conditions. Measured at $V_{DDO}/2$.

NOTE 3: Defined as skew between outputs on different devices operating at the same supply voltages and with equal load conditions. Using the same type of input on each device, the output is measured at $V_{DDO}/2$.

NOTE 4: These parameters are guaranteed by characterization. Not tested in production.

NOTE 5: Driving only one input clock.

NOTE 6: This parameter is defined in accordance with JEDEC Standard 65.



TABLE 5B. AC CHARACTERISTICS, $V_{DD} = 3.3V \pm 5\%$, $V_{DDO} = 2.5V \pm 5\%$, $T_A = -40^{\circ}C$ TO $85^{\circ}C$

Symbol	Parameter	Test Conditions	Minimum	Typical	Maximum	Units
f_{MAX}	Output Frequency	Ref = CLK/nCLK			350	MHz
		Ref = LVCMOS_CLK			300	MHz
t_{pLH}	Propagation Delay, Low to High	LVCMOS_CLK; NOTE 1A CLK, nCLK; NOTE 1B	1.75		2.95	ns
$t_{sk(o)}$	Output Skew; NOTE 2, 6	Measured on the Rising Edge			40	ps
$t_{sk(pp)}$	Part-to-Part Skew; NOTE 3, 6				800	ps
t_{jit}	Buffer Additive Phase Jitter, RMS; refer to Additive Phase Jitter section, NOTE 5			0.04		ps
t_R / t_F	Output Rise/Fall Time	20% to 80%	100		700	ps
odc	Output Duty Cycle	$f \leq 166MHz$	45		55	%
		$f > 166MHz$	42		58	%
t_{EN}	Output Enable Time; NOTE 4				5	ns
t_{DIS}	Output Disable Time; NOTE 4				5	ns

NOTE 1A: Measured from the $V_{DD}/2$ of the input to $V_{DDO}/2$ of the output.

NOTE 1B: Measured from the differential input crossing point to $V_{DDO}/2$ of the output.

NOTE 2: Defined as skew between outputs at the same supply voltage and with equal load conditions. Measured at $V_{DDO}/2$.

NOTE 3: Defined as skew between outputs on different devices operating at the same supply voltages and with equal load conditions. Using the same type of input on each device, the output is measured at $V_{DDO}/2$.

NOTE 4: These parameters are guaranteed by characterization. Not tested in production.

NOTE 5: Driving only one input clock.

NOTE 6: This parameter is defined in accordance with JEDEC Standard 65.

TABLE 5C. AC CHARACTERISTICS, $V_{DD} = 3.3V \pm 5\%$, $V_{DDO} = 1.8V \pm 0.15V$, $T_A = -40^{\circ}C$ TO $85^{\circ}C$

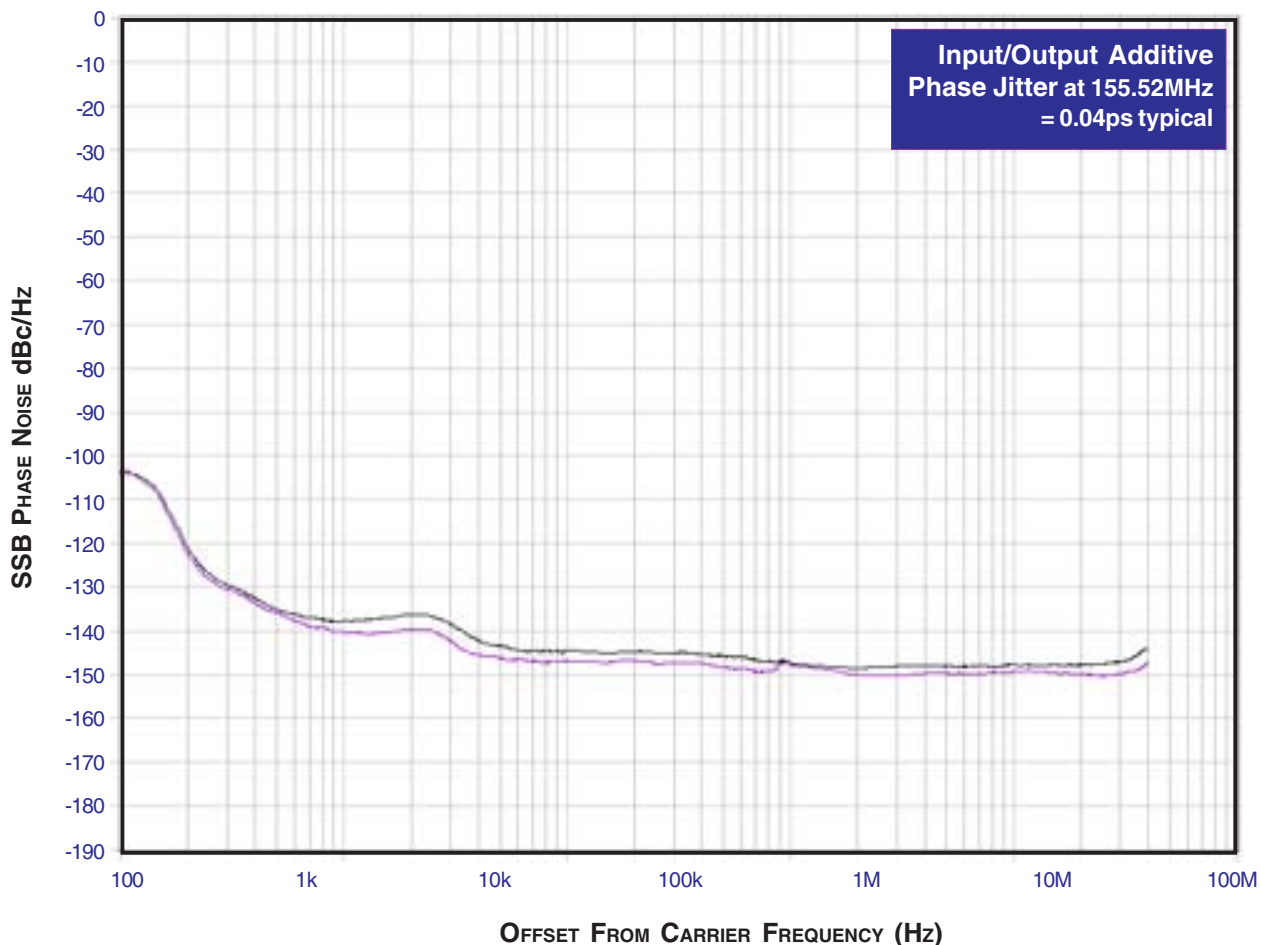
Symbol	Parameter	Test Conditions	Minimum	Typical	Maximum	Units
f_{MAX}	Output Frequency	Ref = CLK/nCLK			350	MHz
		Ref = LVCMOS_CLK			300	MHz
t_{pLH}	Propagation Delay, Low to High	LVCMOS_CLK; NOTE 1A CLK, nCLK; NOTE 1B	1.75		3.7	ns
$t_{sk(o)}$	Output Skew; NOTE 2, 6	Measured on the Rising Edge			45	ps
$t_{sk(pp)}$	Part-to-Part Skew; NOTE 3, 6				900	ps
t_{jit}	Buffer Additive Phase Jitter, RMS; refer to Additive Phase Jitter section, NOTE 5			0.04		ps
t_R / t_F	Output Rise/Fall Time	20% to 80%	100		700	ps
odc	Output Duty Cycle	$f \leq 166MHz$	45		55	%
		$f > 166MHz$	42		58	%
t_{EN}	Output Enable Time; NOTE 4				5	ns
t_{DIS}	Output Disable Time; NOTE 4				5	ns

For notes, see Table 5B.

ADDITIVE PHASE JITTER

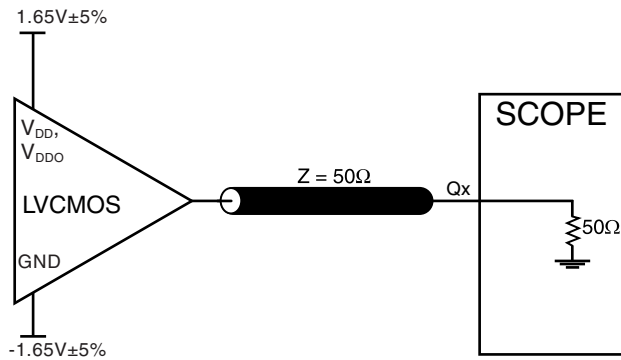
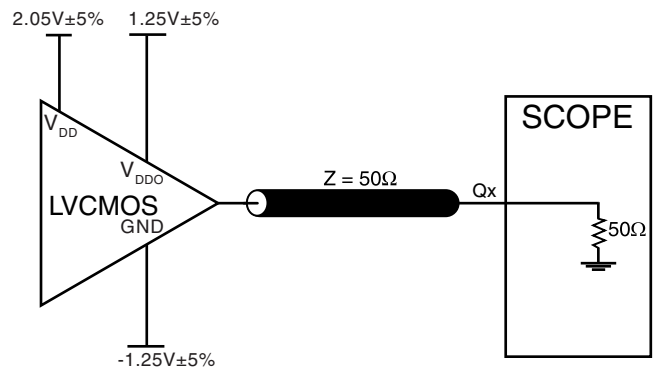
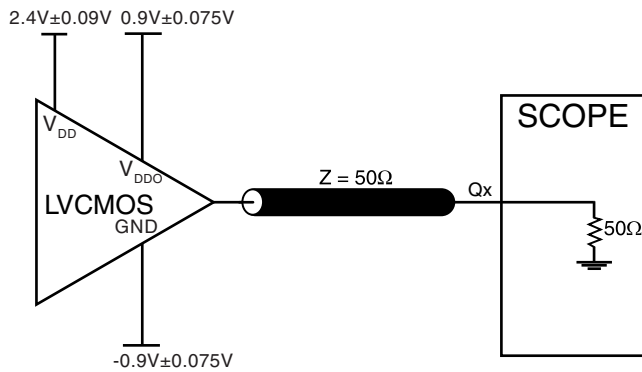
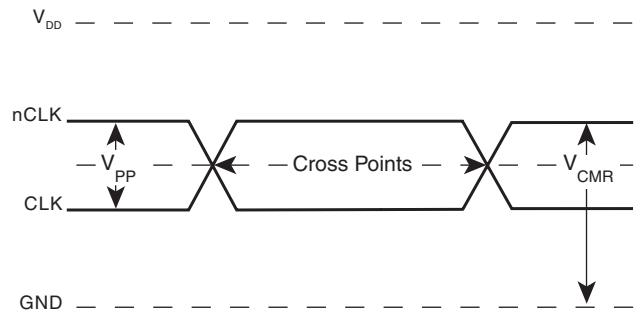
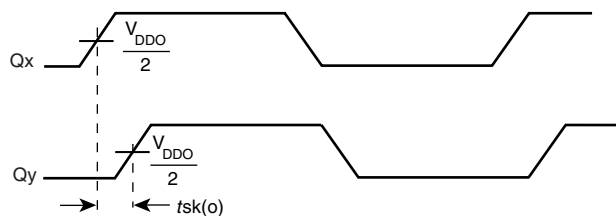
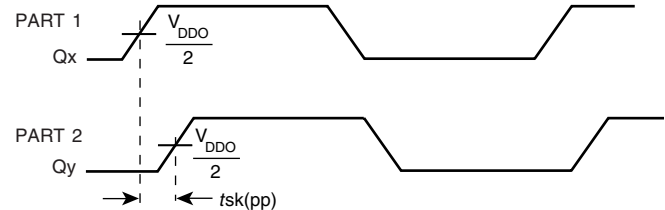
The spectral purity in a band at a specific offset from the fundamental compared to the power of the fundamental is called the **dBc Phase Noise**. This value is normally expressed using a Phase noise plot and is most often the specified plot in many applications. Phase noise is defined as the ratio of the noise power present in a 1Hz band at a specified offset from the fundamental frequency to the power value of the fundamental. This ratio is expressed in decibels (dBm) or a ratio of the power in

the 1Hz band to the power in the fundamental. When the required offset is specified, the phase noise is called a **dBc** value, which simply means dBm at a specified offset from the fundamental. By investigating jitter in the frequency domain, we get a better understanding of its effects on the desired application over the entire time record of the signal. It is mathematically possible to calculate an expected bit error rate given a phase noise plot.



As with most timing specifications, phase noise measurements have issues. The primary issue relates to the limitations of the equipment. Often the noise floor of the equipment is higher than the noise floor of the device. This is illustrated above. The de-

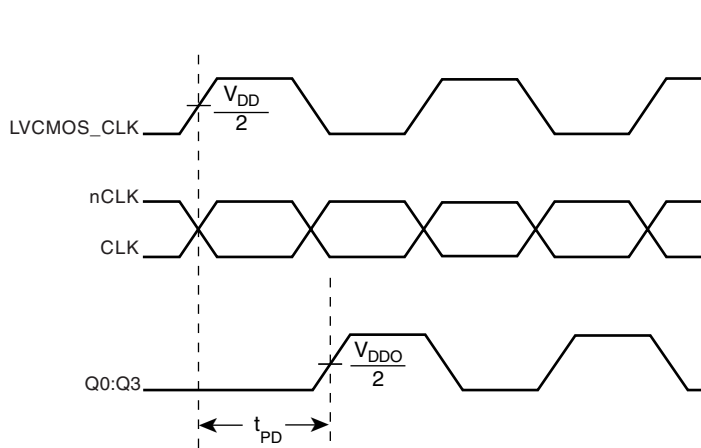
vice meets the noise floor of what is shown, but can actually be lower. The phase noise is dependant on the input source and measurement equipment.

PARAMETER MEASUREMENT INFORMATION

3.3V CORE/3.3V OUTPUT LOAD AC TEST CIRCUIT

3.3V CORE/2.5V OUTPUT LOAD AC TEST CIRCUIT

3.3V CORE/1.8V OUTPUT LOAD AC TEST CIRCUIT

DIFFERENTIAL INPUT LEVEL

OUTPUT SKEW

PART-TO-PART SKEW

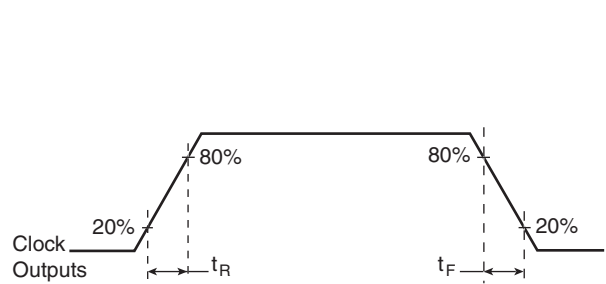


ICS8305I

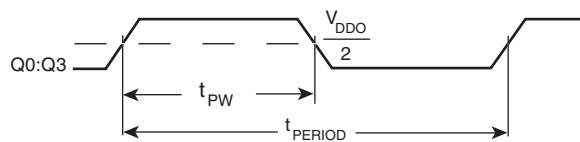
LOW SKEW, 1-TO-4, MULTIPLEXED DIFFERENTIAL/ LVCMOS-TO-LVCMOS/LVTTL FANOUT BUFFER



PROPAGATION DELAY



OUTPUT RISE/FALL TIME



$$\text{odc} = \frac{t_{PW}}{t_{PERIOD}} \times 100\%$$

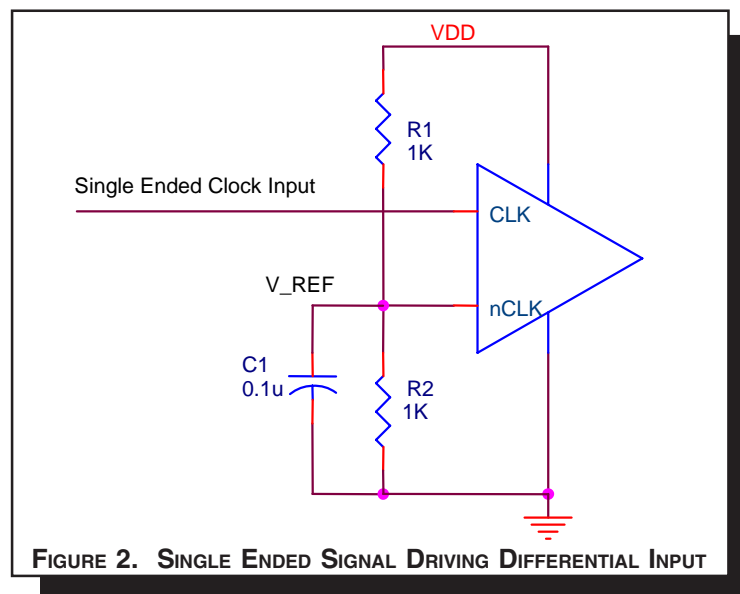
OUTPUT DUTY CYCLE/PULSE WIDTH/PERIOD

APPLICATION INFORMATION

WIRING THE DIFFERENTIAL INPUT TO ACCEPT SINGLE ENDED LEVELS

Figure 2 shows how the differential input can be wired to accept single ended levels. The reference voltage $V_{REF} = V_{DD}/2$ is generated by the bias resistors R1, R2 and C1. This bias circuit should be located as close as possible to the input pin. The ratio

of R1 and R2 might need to be adjusted to position the V_{REF} in the center of the input voltage swing. For example, if the input clock swing is only 2.5V and $V_{DD} = 3.3V$, V_{REF} should be 1.25V and $R2/R1 = 0.609$.



DIFFERENTIAL CLOCK INPUT INTERFACE

The CLK/nCLK accepts LVDS, LVPECL, LVHSTL, SSTL, HCSL and other differential signals. Both V_{SWING} and V_{OH} must meet the V_{PP} and V_{CMR} input requirements. Figures 3A to 3E show interface examples for the CLK/nCLK input driven by the most common driver types. The input interfaces suggested here are

examples only. Please consult with the vendor of the driver component to confirm the driver termination requirements. For example in *Figure 3A*, the input termination applies for LVHSTL drivers. If you are using an LVHSTL driver from another vendor, use their termination recommendation.

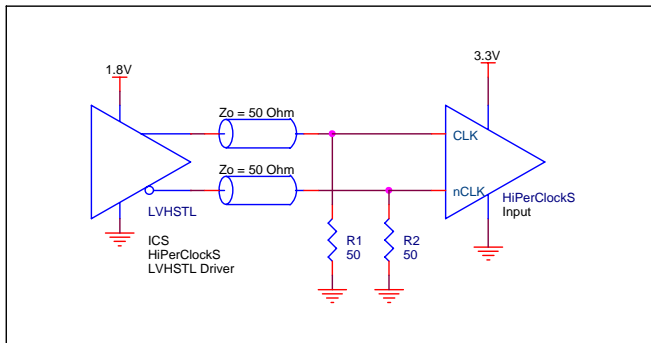


FIGURE 3A. CLK/nCLK INPUT DRIVEN BY LVHSTL DRIVER

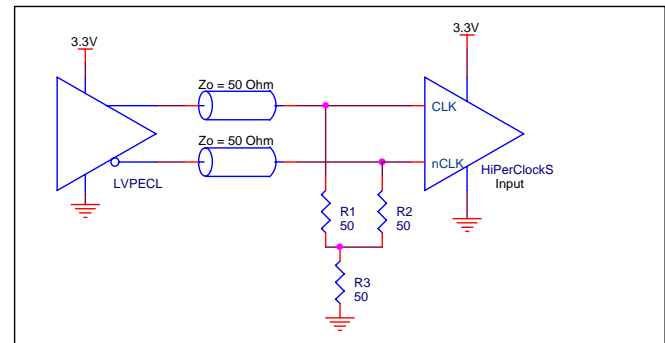


FIGURE 3B. CLK/nCLK INPUT DRIVEN BY 3.3V LVPECL DRIVER

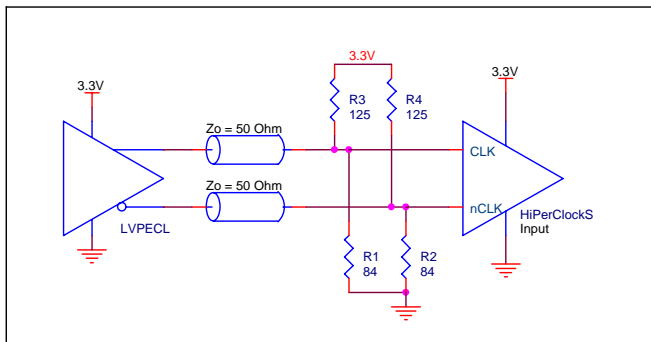


FIGURE 3C. CLK/nCLK INPUT DRIVEN BY 3.3V LVPECL DRIVER

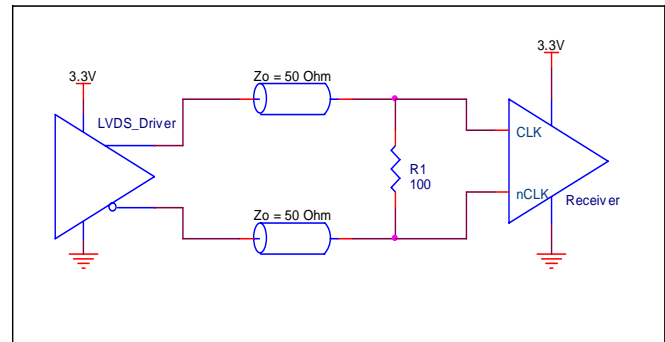


FIGURE 3D. CLK/nCLK INPUT DRIVEN BY 3.3V LVDS DRIVER

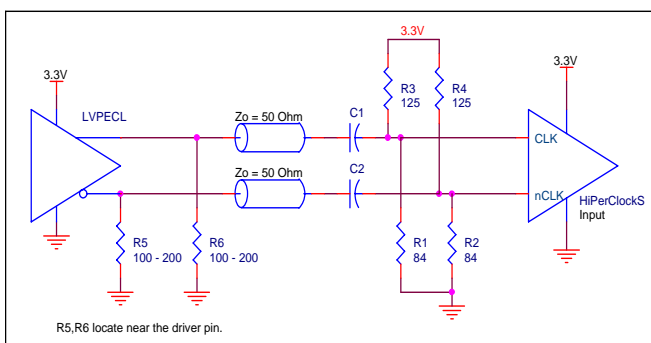


FIGURE 3E. CLK/nCLK INPUT DRIVEN BY 3.3V LVPECL DRIVER WITH AC COUPLE

SCHEMATIC EXAMPLE

This application note provides general design guide using ICS8305I LVCMOS buffer. Figure 4 shows a schematic example of the ICS8305I LVCMOS clock buffer. In this example, the input

is driven by an LVCMOS driver. CLK_EN is set at logic low to select LVCMOS_CLK input.

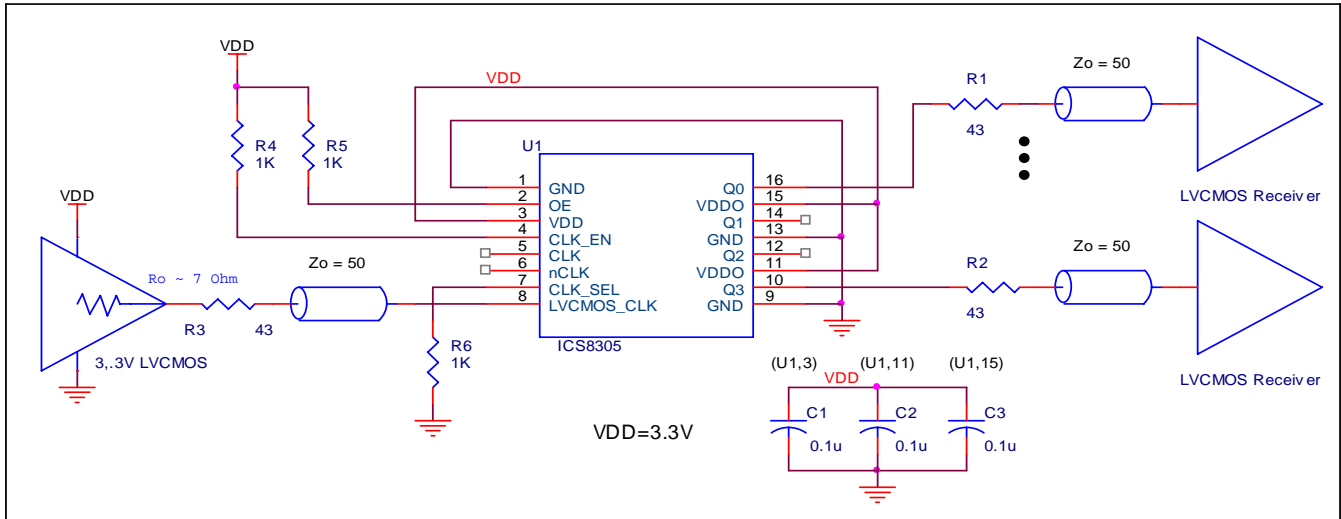


FIGURE 4. EXAMPLE ICS8305I LVCMOS CLOCK OUTPUT BUFFER SCHEMATIC

RELIABILITY INFORMATION

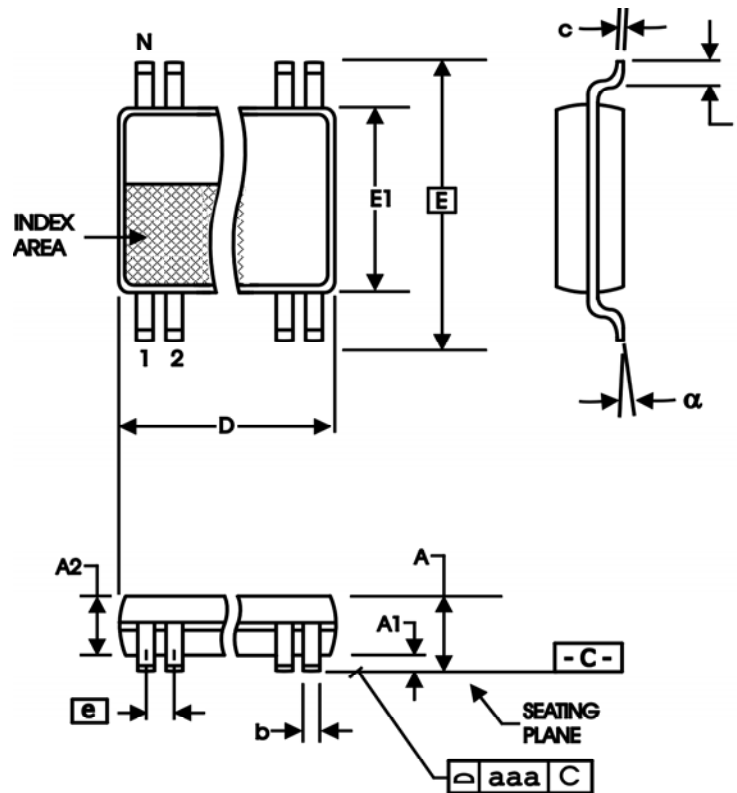
TABLE 6. θ_{JA} vs. AIR FLOW TABLE FOR 16 LEAD TSSOP

θ_{JA} by Velocity (Linear Feet per Minute)			
	0	200	500
Single-Layer PCB, JEDEC Standard Test Boards	137.1°C/W	118.2°C/W	106.8°C/W
Multi-Layer PCB, JEDEC Standard Test Boards	89.0°C/W	81.8°C/W	78.1°C/W

NOTE: Most modern PCB designs use multi-layered boards. The data in the second row pertains to most designs.

TRANSISTOR COUNT

The transistor count for ICS8305I is: 459

PACKAGE OUTLINE - G SUFFIX FOR 16 LEAD TSSOP

TABLE 7. PACKAGE DIMENSIONS

SYMBOL	Millimeters	
	Minimum	Maximum
N	16	
A	--	1.20
A1	0.05	0.15
A2	0.80	1.05
b	0.19	0.30
c	0.09	0.20
D	4.90	5.10
E	6.40 BASIC	
E1	4.30	4.50
e	0.65 BASIC	
L	0.45	0.75
α	0°	8°
aaa	--	0.10

Reference Document: JEDEC Publication 95, MO-153

**TABLE 8. ORDERING INFORMATION**

Part/Order Number	Marking	Package	Shipping Packaging	Temperature
8305AGI	8305AGI	16 Lead TSSOP	tube	-40°C to 85°C
8305AGIT	8305AGI	16 Lead TSSOP	2500 tape & reel	-40°C to 85°C
8305AGILF	8305AGIL	16 Lead "Lead-Free" TSSOP	tube	-40°C to 85°C
8305AGILFT	8305AGIL	16 Lead "Lead-Free" TSSOP	2500 tape & reel	-40°C to 85°C

NOTE: Parts that are ordered with an "LF" suffix to the part number are the Pb-Free configuration and are RoHS compliant.

While the information presented herein has been checked for both accuracy and reliability, Integrated Device Technology, Inc. (IDT) assumes no responsibility for either its use or for infringement of any patents or other rights of third parties, which would result from its use. No other circuits, patents, or licenses are implied. This product is intended for use in normal commercial and industrial applications. Any other applications such as those requiring high reliability, or other extraordinary environmental requirements are not recommended without additional processing by IDT. IDT reserves the right to change any circuitry or specifications without notice. IDT does not authorize or warrant any IDT product for use in life support devices or critical medical instruments.

**ICS8305I**LOW SKEW, 1-TO-4, MULTIPLEXED DIFFERENTIAL/
LVCMOS-TO-LVCMOS/LVTTL FANOUT BUFFER

REVISION HISTORY SHEET				
Rev	Table	Page	Description of Change	Date
A	T8	14	Ordering Information table - corrected Part/Order Number typo from ICS88305AGIT to ICS8305AGIT.	1/20/04
B	T5A - T5C	5 & 6 7	AC Characteristics Tables - changed tjit from 0.05ps typical to 0.04ps typical. Updated Additive Phase Jitter plot.	2/26/04
B	T1	2	Pin Description Table - corrected CLK_EN description.	12/7/04
B	T8	14	Ordering Information Table - added Lead-Free part number	5/19/05
B	T8	14 16	Updated datasheet's header/footer with IDT from ICS. Removed ICS prefix from Part/Order Number column. Added Contact Page.	7/29/10



ICS8305I
LOW SKEW, 1-TO-4, MULTIPLEXED DIFFERENTIAL/
LVCMOS-TO-LVCMOS/LVTTL FANOUT BUFFER

We've Got Your Timing Solution.



6024 Silver Creek Valley Road
San Jose, CA 95138

Sales
800-345-7015 (inside USA)
+408-284-8200 (outside USA)
Fax: 408-284-2775

Tech Support
netcom@idt.com

© 2010 Integrated Device Technology, Inc. All rights reserved. Product specifications subject to change without notice. IDT, the IDT logo, ICS and HiPerClockS are trademarks of Integrated Device Technology, Inc. Accelerated Thinking is a service mark of Integrated Device Technology, Inc. All other brands, product names and marks are or may be trademarks or registered trademarks used to identify products or services of their respective owners.
Printed in USA