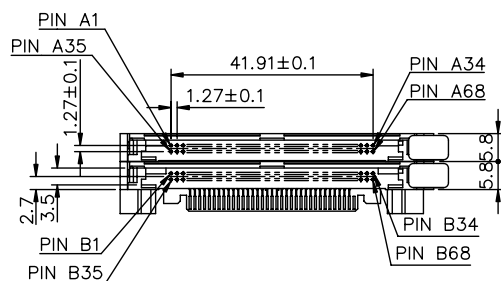
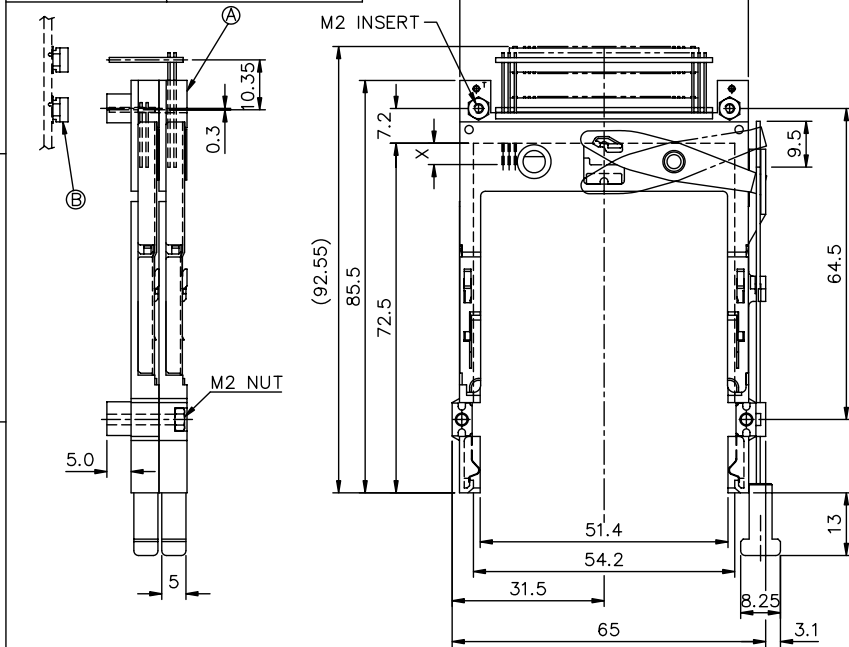


PRODUCT NO.	STAND-OFF HEIGHT
52493-250CA	5.0 mm
52493-250CALF	5.0 mm



NOTES:

- 8mm MIN. CARD EJECT.
- EJECT TRAVEL: 9.5mm
- MATERIAL
 - HEADER ASS'Y
 - PLASTIC : HOUSING ...LCP UL94V-0 BLACK
 - PIN : COPPER ALLOY
 - PCB : FR4
 - EJECT MECHANISM ASS'Y
 - PLASTIC : GUIDE: POLYPHTHARAMID UL94V-0 BLACK
 - : BUTTON: POLYPHTHARAMID UL94V-0 BLACK
 - RECEPTACLE
 - PLATE : STAINLESS
 - EMI CONTACT: PHOSPHOR BRONZE
 - FINISH (PIN)
 - UNDER PLATING : 0.5 um MIN. Ni
 - CONTACT AREA : 0.1 um MIN. GOLD OVER
 - 0.5 um MIN. Pd-Ni
 - SOLDER TAIL : 2.5 um MIN. Sn-Pb
 - : 2.5 um MIN. PURE Sn. (FOR -250CALF)
- PUSH ROD LOCATION AND P.C.B. SIDE ARE AS APPEARS INSTALLED.
- DIM "X"

4.25±0.1	3.5±0.1	5.0±0.1
OTHERS	36,67	1,17,34,35,51,68
- IF LEAD FREE P/N. THE HOUSING WILL WITHSTAND EXPOSURE TO 260°C PEAK TEMPERATURE FOR 10 SECONDS IN A WAVE SOLDER APPLICATION WITH A 1.00MM MINIMUM THICK CIRCUIT BOARD.
- LEAD FREE PRODUCT MEETS EUROPEAN UNION DIRECTIVES AND OTHER COUNTRY REGULATIONS AS DESCRIBED IN GS-22-008
- IF LEAD FREE P/N. PACKAGING MEETS GS-14-920 SPECIFICATION

ORDERING INFORMATION

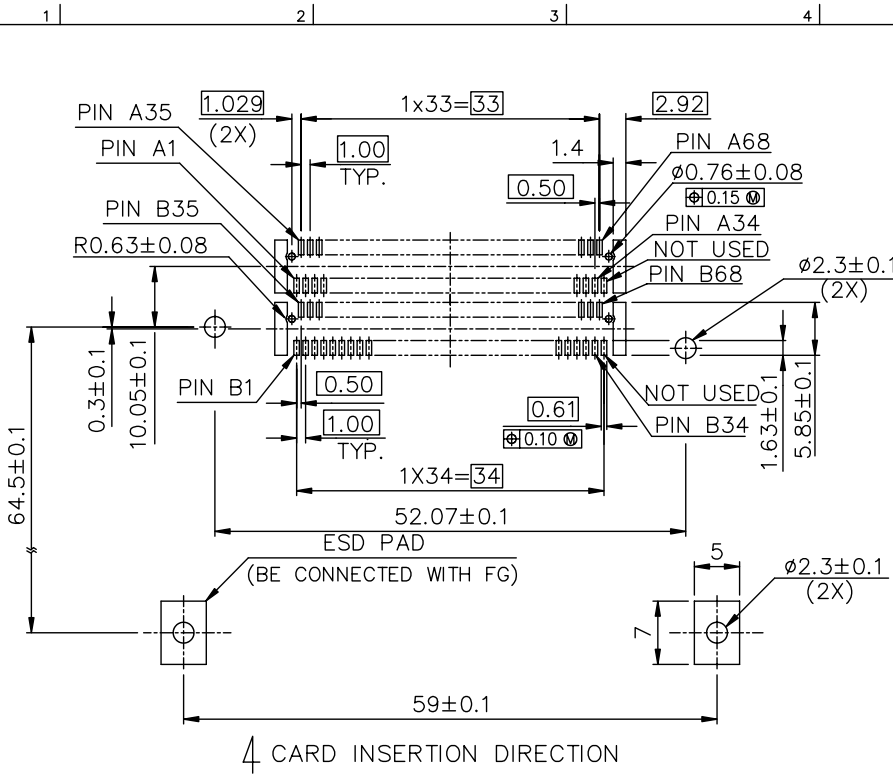
NAME	PART NO.	Q'TY
(A) EJECT HEADER ASS'Y	52493-250CA/250CALF	1
(B) MATING RECEPTACLE	91931-31169/31169LF	2

mat'l code		tolerance unless otherwise specified		CUSTOMER COPY		ELECTRONICS	
rev.	ecn no.	dr	date	linear	±0.3	projection	title
A	T90430	WL	12/27/99				CONAN TRANSFER BOARD
B	N05-0128	WB	12/27/99	angles	± 2°		EJECTOR HEADER ASS'Y
		dr	MAGGIE WU	12/01/99		unit	product family : PCMCIA
		enrg	LEIF SHEN	12/01/99		mm/inch	code
		chr	JOSEPH HSIA	12/01/99		size	TWN
		appd	JENN TSAO	12/01/99		scale	sheet
sheet	revision	B	A			1:2:1	1 OF 2
index	sheet	1	2			A3	52493

PDM: Rev:B STATUS: Released Printed: Oct 12, 2010

Tous droits réservés. Toute réimpression, reproduction ou communication, en tout ou en partie, sans la permission écrite du propriétaire. Property of FCI Electronics. All rights reserved. Reproduction or communication, in any form or by any means, without the written authority from the proprietor. Copyright FCI Electronics by

All rights reserved. Reproduction or communication, in any form or by any means, without the written authority from the proprietor. Property of FCI Electronics. All rights reserved. Reproduction or communication, in any form or by any means, without the written authority from the proprietor. Copyright FCI Electronics by



RECOMMENDED P.C.B. LAYOUT

mat'l code		tolerance unless otherwise specified		CUSTOMER COPY			
rev. A	ecn no.	dr	date	linear	±0.3	projection	title
				angles	± 2'		CONAN TRANSFER BOARD EJECTOR HEADER ASS'Y
		dr	MAGGIE WU 12/01/99	unit		product family : PCMCIA	code
		enrg	LIEF SHEN 12/01/99	mm/inch		size	TWN
		chr	JOSEPH HAI 12/01/99	scale	1.5:1	dwg no.	52493
		app'd	JENN TSAO 12/01/99			sheet	2 of
sheet index	revision	sheet					

PDM: Rev:B STATUS **Released** Printed: Oct 12, 2010

All rights strictly reserved. Reproduction or issue to third parties in any form without the written authority from the proprietor. Property of FCI ELECTRONICS. Copyright FCI ELECTRONICS by