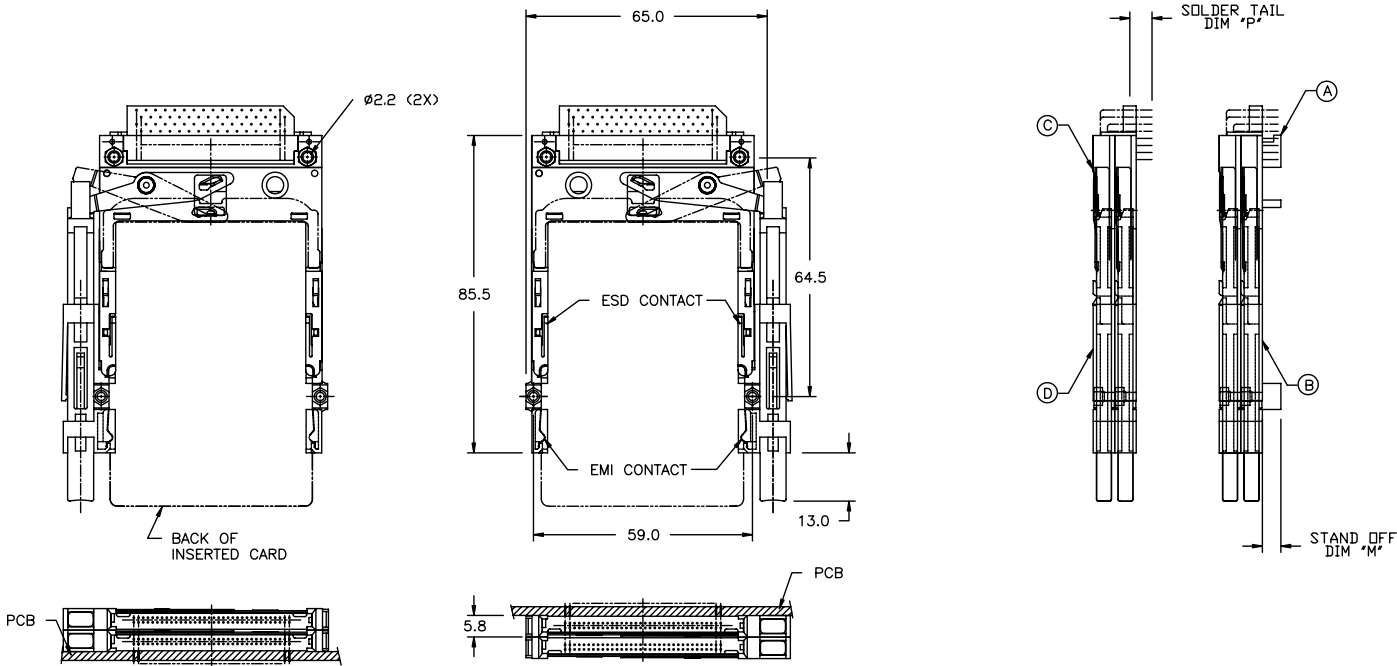


Tous droits strictement réservés. Reproduction ou communication a des tiers interdite sous quelque forme que ce soit sans autorisation écrite du propriétaire. Propriété de © BERG ELECTRONICS. Droits de reproduction BERG ELECTRONICS INC.

All rights strictly reserved. Reproduction or issue to third parties in any form whatever is not permitted without written authority from the proprietor. Property of © BERG ELECTRONICS. Copyright BERG ELECTRONICS INC.

PCMCIA COMPONENTS:  
DOUBLE DECK ASSEMBLY  
EXTENDED TRAVEL (8mm CARD EJECT) MECHANISM



LEFT PUSH ROD  
RT. ANGLE SOLDER TAIL  
ABOVE PCB  
P/N: 74919-300CA  
P/N: 74919-300CALF

RIGHT PUSH ROD  
RT. ANGLE SOLDER TAIL  
BELOW PCB  
P/N: 74919-700CA  
P/N: 74919-700CALF

mat'l. code				tolerances unless otherwise specified		CUSTOMER COPY		 www.fcdconnect.com	
ltr	ecn no	dr	date	linear	.X ±.3	projection		title	
A	V80794	RHG	7/28/98		.XX ±.13			68 POS EJECT HEADER ASSY	
B	V81799	CGC	10/27/98		.XXX ±.051			product family MCS	
C	N05-0198	WB	07/05/05	angles	0° ±2'			code -	
				dr	R.GRAPE 7/28/98			sheet 1 of 3	
				engr	D.BRANN 7/28/98			size   dwg no	
				chr	D.BRANN 7/28/98			A4 74919	
				appd	D.BRANN 7/28/98			scale 1/1	
sheet index	revision sheet	C	C	C				cage code 22526	
		1	2	3				4	

form no. 7530-001-103

PDM: Rev:C 3 STATUS Released 22526 Oct 12, 2010



