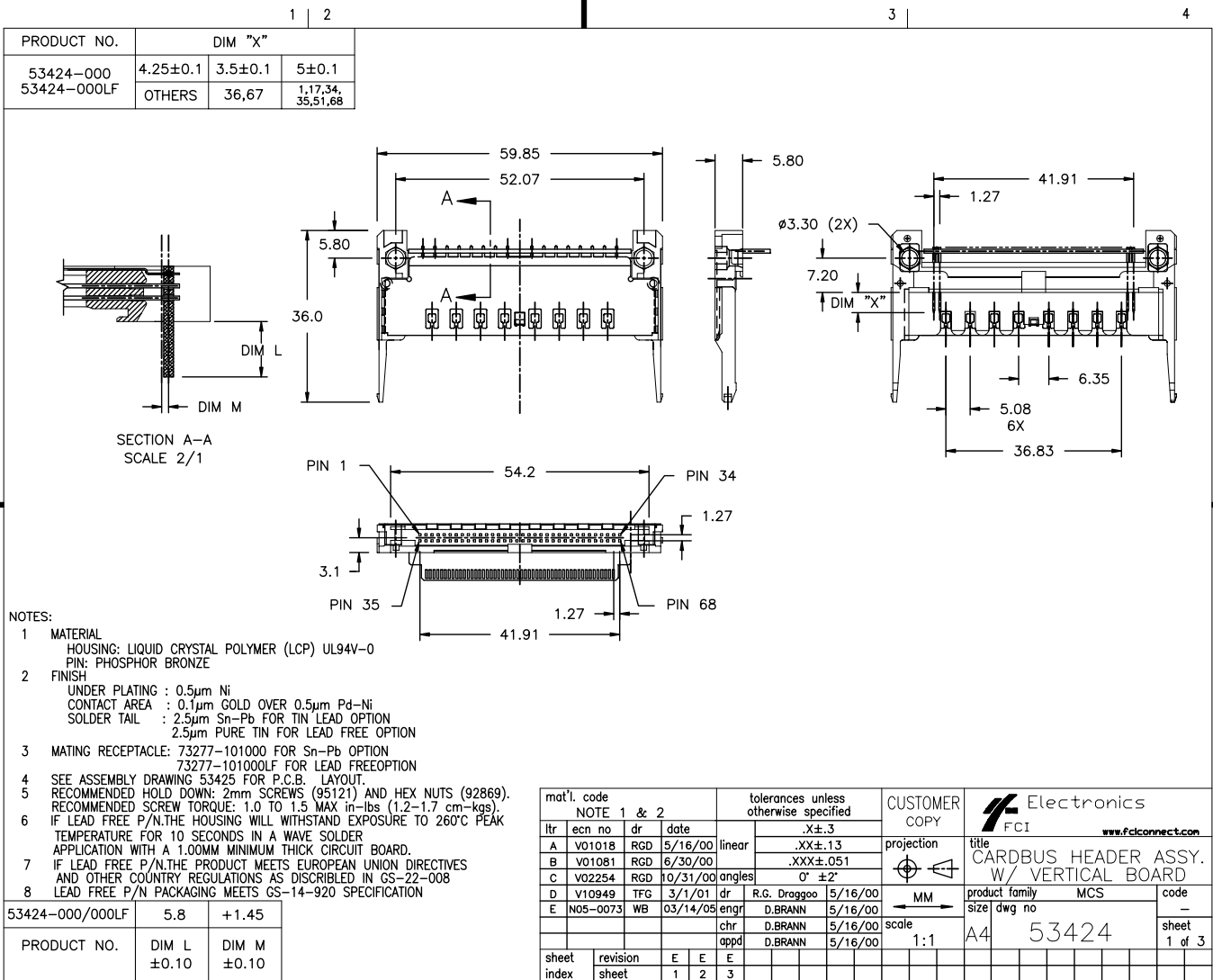


Tous droits strictement réservés. Reproduction ou communication à des tiers interdite sous quelque forme que ce soit sans autorisation écrite du propriétaire. Propriété de c FCI. Droits de reproduction FCI.

All rights strictly reserved. Reproduction or issue to third parties in any form whatever is not permitted without written authority from the proprietor. Property of FCI. Copyright FCI.



NOTES:

- MATERIAL
HOUSING: LIQUID CRYSTAL POLYMER (LCP) UL94V-0
PIN: PHOSPHOR BRONZE
- FINISH
UNDER PLATING : 0.5µm Ni
CONTACT AREA : 0.1µm GOLD OVER 0.5µm Pd-Ni
SOLDER TAIL : 2.5µm Sn-Pb FOR TIN LEAD OPTION
2.5µm PURE TIN FOR LEAD FREE OPTION
- MATING RECEPTACLE: 73277-101000 FOR Sn-Pb OPTION
73277-101000LF FOR LEAD FREE OPTION
- SEE ASSEMBLY DRAWING 53425 FOR P.C.B. LAYOUT.
- RECOMMENDED HOLD DOWN: 2mm SCREWS (95121) AND HEX NUTS (92869).
RECOMMENDED SCREW TORQUE: 1.0 TO 1.5 MAX in-lbs (1.2-1.7 cm-kgs).
- IF LEAD FREE P/N THE HOUSING WILL WITHSTAND EXPOSURE TO 260°C PEAK TEMPERATURE FOR 10 SECONDS IN A WAVE SOLDER APPLICATION WITH A 1.00MM MINIMUM THICK CIRCUIT BOARD.
- IF LEAD FREE P/N THE PRODUCT MEETS EUROPEAN UNION DIRECTIVES AND OTHER COUNTRY REGULATIONS AS DESCRIBED IN GS-22-008
- LEAD FREE P/N PACKAGING MEETS GS-14-920 SPECIFICATION

53424-000/000LF	5.8	+1.45
PRODUCT NO.	DIM L ±0.10	DIM M ±0.10

mat'l. code		NOTE 1 & 2		tolerances unless otherwise specified		CUSTOMER COPY		Electronics FCI www.fciconnect.com	
ltr	ecn no	dr	date	linear	.X±.3	projection	title	product family	code
A	V01018	RGD	5/16/00		.XX±.13		CARDBUS HEADER ASSY. W/ VERTICAL BOARD	MCS	-
B	V01081	RGD	6/30/00		.XXX±.051				
C	V02254	RGD	10/31/00	angles	0° ±2'	MM	size	dwg no	sheet
D	V10949	TFG	3/1/01	dr	R.G. Draggoo	5/16/00	1:1	53424	1 of 3
E	N05-0073	WB	03/14/05	enrg	D.BRANN	5/16/00			
				chr	D.BRANN	5/16/00			
				appd	D.BRANN	5/16/00			
sheet	revision	E	E	E					
index	sheet	1	2	3					

ACAD

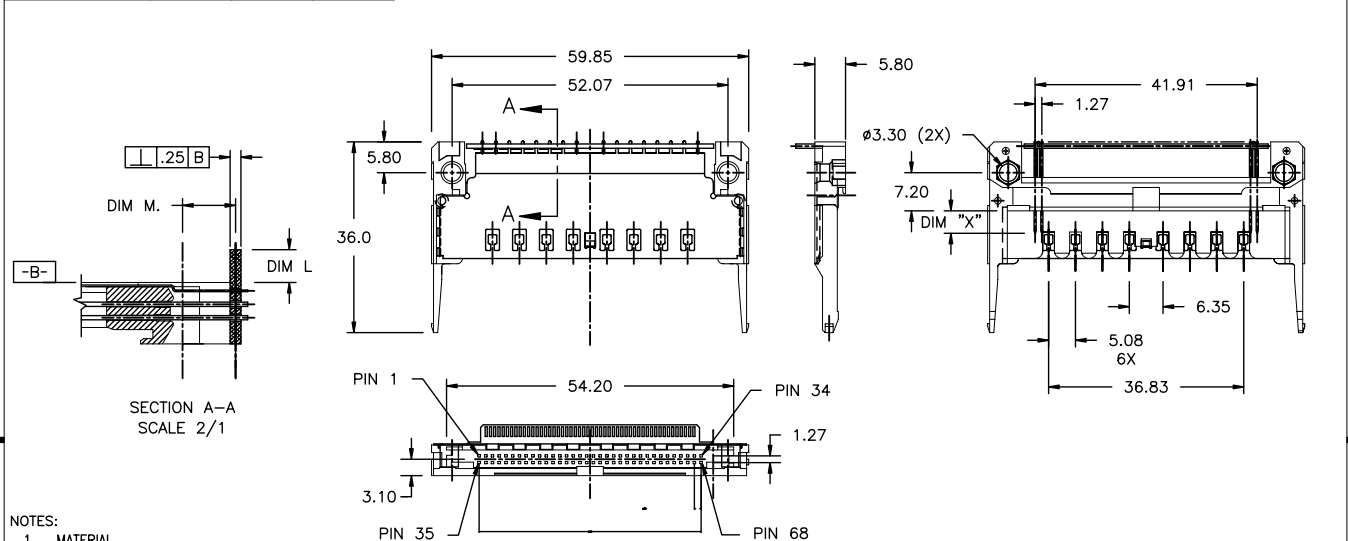
PDM: Rev:E

STATUS Released 2.6 Printed: Oct 12, 2010

Tous droits strictement réservés. Reproduction ou communication a des tiers
interdite sous quelque forme que ce soit sans autorisation écrite du propriétaire.
Propriété de c FCI. Droits de reproduction FCI.

All rights strictly reserved. Reproduction or issue to third parties in any
form whatever is not permitted without written authority from the proprietor.
Property of FCI. Copyright FCI.

PRODUCT NO.	DIM "X"		
	53424-500	4.25±0.1	3.5±0.1
53424-500LF	OTHERS	36,67	1,17,34, 35,51,68



NOTES:

- MATERIAL
HOUSING: LIQUID CRYSTAL POLYMER (LCP) UL94V-0
PIN: PHOSPHOR BRONZE
- FINISH
UNDER PLATING : 0.5µm Ni
CONTACT AREA : 0.1µm GOLD OVER 0.5µm Pd-Ni
SOLDER TAIL : 2.5µm Sn-Pb FOR TIN LEAD OPTION
2.5µm PURE TIN FOR LEAD FREE OPTION
- MATING RECEPTACLE: 73277-101000 FOR TIN LEAD OPTION
73277-101000LF FOR LEAD FREE OPTION
- SEE ASSEMBLY DRAWING 53425 FOR P.C.B. LAYOUT.
- RECOMMENDED HOLD DOWN: 2mm SCREWS (95121) AND HEX NUTS (92869).
RECOMMENDED SCREW TORQUE: 1.0 TO 1.5 MAX in-lbs (1.2-1.7 cm-kgs).
- IF LEAD FREE P/N.THE HOUSING WILL WITHSTAND EXPOSURE TO 260°C PEAK
TEMPERATURE FOR 10 SECONDS IN A WAVE SOLDER
APPLICATION WITH A 1.00MM MINIMUM THICK CIRCUIT BOARD.
- IF LEAD FREE P/N.THE PRODUCT MEETS EUROPEAN UNION DIRECTIVES
AND OTHER COUNTRY REGULATIONS AS DISCRIBLED IN GS-22-008
- LEAD FREE P/N PACKAGING MEETS GS-14-920 SPECIFICATION

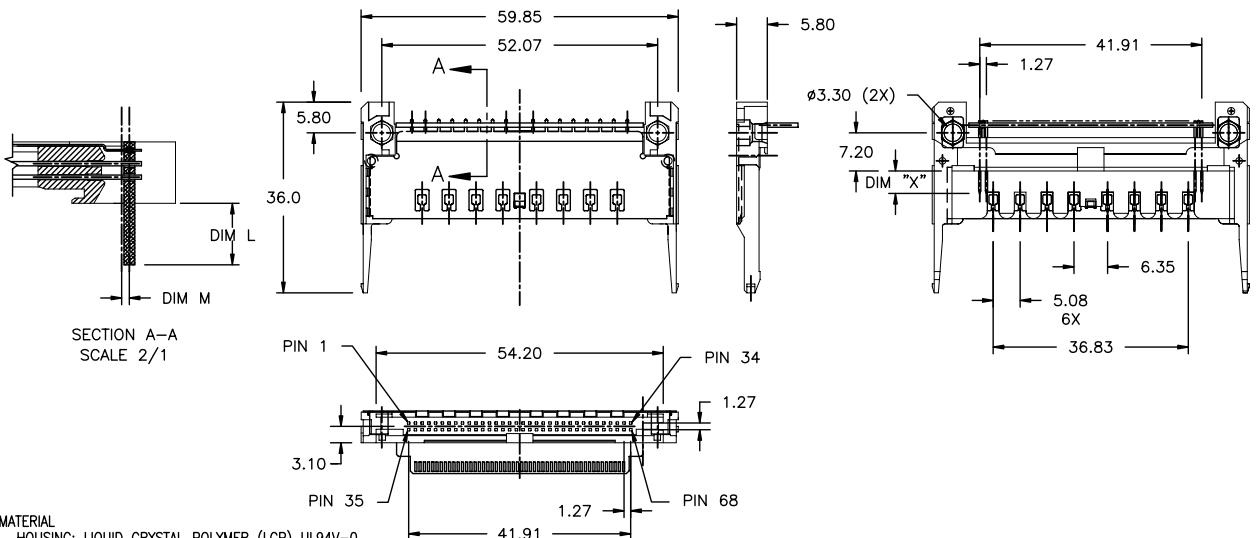
53424-500/500LF	4.6	+5.00
PRODUCT NO.	DIM L ±0.10	DIM M ±0.10

mat'l. code		tolerances unless otherwise specified		CUSTOMER COPY		Electronics FCI www.fciconnect.com	
ltr	ecn no	dr	date	linear	.XX±.13	projection	title
E				angles	.XXX±.051	0° ±2'	CARBUS HEADER ASSY. W/ VERTICAL BOARD
				dr	R.G. Dragoo 6/30/00	MM	product family
				engr	D.BRANN 6/30/00	1:1	MCS
				chr	D.BRANN 6/30/00		size
				appd	D.BRANN 6/30/00		dwg no
sheet	revision						53424
index	sheet						sheet
							2 of

Tous droits strictement réservés. Reproduction ou communication a des tiers interdite sous quelque forme que ce soit sans autorisation écrite du propriétaire. Propriété de c FCI. Droits de reproduction FCI.

All rights strictly reserved. Reproduction or issue to third parties in any form whatever is not permitted without written authority from the proprietor. Property of FCI. Copyright FCI.

PRODUCT NO.	DIM "X"		
	53424-067	4.25±0.1	3.5±0.1
53424-067LF	OTHERS	36,67	1,17,34, 35,51,68



NOTES:

- MATERIAL
HOUSING: LIQUID CRYSTAL POLYMER (LCP) UL94V-0
PIN: PHOSPHOR BRONZE
- FINISH
UNDER PLATING : 0.5µm Ni
CONTACT AREA : 0.1µm GOLD OVER 0.5µm Pd-Ni
SOLDER TAIL : 2.5µm Sn-Pb FOR TIN LEAD OPTION
2.5µm PURE TIN FOR LEAD FREE OPTION
- MATING RECEPTACLE: 73277-101000 FOR TIN LEAD OPTION
73277-101000LF FOR LEAD FREE OPTION
- SEE ASSEMBLY DRAWING 53425 FOR P.C.B. LAYOUT.
- RECOMMENDED HOLD DOWN: 2mm SCREWS (95121) AND HEX NUTS (92869).
RECOMMENDED SCREW TORQUE: 1.0 TO 1.5 MAX in-lbs (1.2-1.7 cm-kgs).
- IF LEAD FREE P/N.THE HOUSING WILL WITHSTAND EXPOSURE TO 260°C PEAK TEMPERATURE FOR 10 SECONDS IN A WAVE SOLDER APPLICATION WITH A 1.00MM MINIMUM THICK CIRCUIT BOARD.
- IF LEAD FREE P/N.THE PRODUCT MEETS EUROPEAN UNION DIRECTIVES AND OTHER COUNTRY REGULATIONS AS DISCRIBED IN GS-22-008
- LEAD FREE P/N PACKAGING MEETS GS-14-920 SPECIFICATION

53424-067/067LF	5.3	+1.45
PRODUCT NO.	DIM L ±0.10	DIM M ±0.10

mat'l. code		tolerances unless otherwise specified		CUSTOMER COPY		FCI Electronics	
ltr	ecn no	dr	date	linear	projection	title	www.fciconnect.com
E				.XX±.13	MM	CARBUS HEADER ASSY. W/ VERTICAL BOARD	
				.XXX±.051	1:1	product family	MCS
				angles		size	dwg no
				dr R.G. Draggoo 5/16/00		53424	sheet
				enrg D.BRANN 5/16/00			3 of
				chr D.BRANN 5/16/00			
				appd D.BRANN 5/16/00			
sheet index	revision sheet					cage code	

ACAD

PDM: Rev:E

STATUS Released 2.6 Printed: Oct 12, 2014