

FCI CONFIDENTIAL

FCI

This document is the property of and includes CONFIDENTIAL and PROPRIETARY information of FCI. No part of the information shown on this document may be used in any way or disclosed to others without the written consent of FCI. Copyright FCI.

DESCRIPTION : ABOVE PCB/BELOW PCB, DECK AND PUSH ROD LOCATION ARE AS VIEW BY USER.

PRODUCT NO.	PUSH ROD LOCATION	STAND-OFF HEIGHT	MATING RECEPTACLE	P.C.B SIDE	RECOMMENDED P.C.B LAYOUT	MOUNT STYLE TO PCB AND PUSH ROD SIDE
① 74054-*****			②			
000CAS	RIGHT	0.0	100 POSITIONS (2x50) 0.8mm RECEPTACLE PART NO. 73277-101402LF	ABOVE	SEE DRAWING NO.: TA-1050	
020CAS	RIGHT	2.0				
022CAS	RIGHT	2.2				
028CAS	RIGHT	2.8				
040CAS	RIGHT	4.0				
043CAS	RIGHT	4.3				
050CAS	RIGHT	5.0				
100CAS	LEFT	0.0				
120CAS	LEFT	2.0				
122CAS	LEFT	2.2				
128CAS	LEFT	2.8				
140CAS	LEFT	4.0				
143CAS	LEFT	4.3				
150CAS	LEFT	5.0				
022CAR	RIGHT	2.2				
122CAT	LEFT	2.2				
522CAS	RIGHT	2.2	100 POSITIONS (2x50) 0.8mm RECEPTACLE PART NO. 73277-101402LF	BELOW	SEE DRAWING NO.: TA-1050	
540CAS	RIGHT	4.0				
543CAS	RIGHT	4.3				
550CAS	RIGHT	5.0				
622CAS	LEFT	2.2				
640CAS	LEFT	4.0				
643CAS	LEFT	4.3				
650CAS	LEFT	5.0				
322CAS	LEFT	2.2	100 POSITIONS (2x50) 0.8mm RECEPTACLE PART NO.	ABOVE	SEE DRAWING NO.: TA-1050	 (WITH METAL SHIELD)
740CAS-B	LEFT PUSH ROD COLOR :BLACK	4.0	100 POSITIONS (2x50) 0.8mm RECEPTACLE PART NO.	BELOW	SEE DRAWING NO.: TA-1050	
840CAS	RIGHT PUSH ROD COLOR :BLACK	4.0	100 POSITIONS (2x50) 0.8mm RECEPTACLE PART NO.	BELOW	SEE DRAWING NO.: TA-1050	
740CAS-BLF	LEFT PUSH ROD COLOR :BLACK (Lead-Free type)	4.0	100 POSITIONS (2x50) 0.8mm RECEPTACLE PART NO.	BELOW	SEE DRAWING NO.: TA-1050	
840CASLF	RIGHT PUSH ROD COLOR :BLACK (Lead-Free type)	4.0	100 POSITIONS (2x50) 0.8mm RECEPTACLE PART NO.	BELOW	SEE DRAWING NO.: TA-1050	

NOTES:

- 8.0mm MIN CARD EJECT.
- EJECT TRAVEL: 9.50mm
- MATERIAL:
 - 3.1 EJECT HEADER ASS'Y
 - PLASTIC HOUSING: LCP UL94V-0 BLACK
 - PIN: COPPER ALLOY
 - PCB: FR4
 - PLASTIC GUIDE: POLYPHTHARAMID UL94V-0 BLACK
 - PLATE: STAINLESS
 - EMI CONTACT: PHOSPHOR BRONZE
 - 3.2 RECEPTACLE
 - PLASTIC: LCP 94V-0 NATURAL
 - PIN: BeCu
- FINISH
 - PIN : (FOR OTHER VERSIONS)
 - UNDER PLATING: 0.5um MIN. Ni
 - CONTACT AREA: 0.1um MIN. GOLD OVER 0.5um MIN. Pd-Ni
 - PIN : (FOR LEAD-FREE TYPE)
 - UNDER PLATING: 1.27um MIN. Ni
 - CONTACT AREA: 0.1um MIN. GOLD OVER 0.5um MIN. Pd-Ni
 - SOLDER TAIL: 2.5um MIN. PURE Tin.
 - GROUND SHIELD :
 - UNDER PLATING: 0.75um MIN. Ni
 - CONTACT SURFACE: 0.03um GOLD MIN. OVER PdNi 0.5um MIN.(GOLD FLASH DOUBLE SIDES) OR, 0.38um GOLD(ONE SIDE ONLY)
- PUSH ROD LOCATION AND P.C.B. ARE AS APPEARS INSTALLED
- DIM "X"

4.25±0.1	3.5±0.1	5.0±0.1
OTHERS	36,67	1,17,34,35,51,68
- DO NOT TOUCH AND KEEP CLEAN THE SURFACES OF PCB OF HEADER ASS'Y.
- P.C.B LAYOUT AND PIN ASSIGNMENT REFERED TO PART NUMBER TA-1050.

ORDERING INFORMATION

THREADED INSERT ASSEMBLED BY BERG		
NAME	PART NO.	Q'TY
① EJECT HEADER ASS'Y	74054-*****	1
② MATING RECEPTACLE	③ 73277-101402LF	1

mat'l. code	surface	tolerance	projection	product family
	ISO 1302	ISO 406 ISO 101		
lfr	ecn no	dr	date	tolerances unless otherwise specified
S	N05-0087	WB	06/17/05	angles
T	N05-0175	WB	03/23/05	linear
U	N08-0028	MZ	02/22/08	± 0.30
				scale
				MM
				product family
				title
				CARBUS SINGLE DECK
				2-STEP, TYPE 1/2/3
				dwg no
				74054
				sheet 1 of 10 size
				A4
				type CUSTOMER Drawing
sheet index	revision sheet	U	U	U
		1	2	3
		4	5	6
		7	8	9
		10		

FCI CONFIDENTIAL

FCI

This document is the property of and includes CONFIDENTIAL and PROPRIETARY information of FCI. No part of the information shown on this document may be used in any way or disclosed to others without the written consent of FCI. Copyright © FCI

DESCRIPTION : ABOVE PCB/BELOW PCB, DECK AND PUSH ROD LOCATION ARE AS VIEW BY USER.

PRODUCT NO.	PUSH ROD LOCATION	STAND-OFF HEIGHT	MATING RECEPTACLE	P.C.B. SIDE	RECOMMENDED P.C.B. LAYOUT	MOUNT STYLE TO PCB AND PUSH ROD SIDE
(A) 74054-*****						
000CASLF	RIGHT	0.0	100 POSITIONS (2x50) 0.8mm RECEPTACLE PART NO. 73277-101402LF	ABOVE	SEE DRAWING NO.: TA-1050	
020CASLF	RIGHT	2.0				
022CASLF	RIGHT	2.2				
028CASLF	RIGHT	2.8				
040CASLF	RIGHT	4.0				
043CASLF	RIGHT	4.3				
050CASLF	RIGHT	5.0				
100CASLF	LEFT	0.0				
120CASLF	LEFT	2.0				
122CASLF	LEFT	2.2				
128CASLF	LEFT	2.8	100 POSITIONS (2x50) 0.8mm RECEPTACLE PART NO. 73277-101402LF	BELOW	SEE DRAWING NO.: TA-1050	
140CASLF	LEFT	4.0				
143CASLF	LEFT	4.3				
150CASLF	LEFT	5.0				
022CARLF	RIGHT	2.2				
122CATLF	LEFT	2.2				
522CASLF	RIGHT	2.2				
540CASLF	RIGHT	4.0				
543CASLF	RIGHT	4.3				
550CASLF	RIGHT	5.0				
622CASLF	LEFT	2.2	100 POSITIONS (2x50) 0.8mm RECEPTACLE PART NO. 73277-101402LF	ABOVE	SEE DRAWING NO.: TA-1050	
640CASLF	LEFT	4.0				
643CASLF	LEFT	4.3				
650CASLF	LEFT	5.0				
2-STEP CARDBUS WITH METAL COVER						
322CASLF	LEFT	2.2	100 POSITIONS (2x50) 0.8mm RECEPTACLE PART NO.	ABOVE	SEE DRAWING NO.: TA-1050	 (WITH METAL SHIELD)
2-STEP CARDBUS WITH SPECIAL PUSH ROD						
740CAS-B	LEFT PUSH ROD COLOR :BLACK	4.0	100 POSITIONS (2x50) 0.8mm RECEPTACLE PART NO.	BELOW	SEE DRAWING NO.: TA-1050	
840CAS	RIGHT PUSH ROD COLOR :BLACK	4.0	100 POSITIONS (2x50) 0.8mm RECEPTACLE PART NO.	BELOW	SEE DRAWING NO.: TA-1050	
740CAS-BLF	LEFT PUSH ROD COLOR :BLACK (Lead-Free type)	4.0	100 POSITIONS (2x50) 0.8mm RECEPTACLE PART NO.	BELOW	SEE DRAWING NO.: TA-1050	
840CASLF	RIGHT PUSH ROD COLOR :BLACK (Lead-Free type)	4.0	100 POSITIONS (2x50) 0.8mm RECEPTACLE PART NO.	BELOW	SEE DRAWING NO.: TA-1050	

- NOTES:
- 8.0mm MIN CARD EJECT.
 - EJECT TRAVEL: 9.50mm
 - MATERIAL:
 - EJECT HEADER ASS'Y
 - PLASTIC HOUSING: LCP UL94V-0 BLACK
 - PIN: COPPER ALLOY
 - PCB: FR4
 - PLASTIC GUIDE: POLYPHTHARAMID UL94V-0 BLACK
 - PLATE: STAINLESS
 - EMI CONTACT: PHOSPHOR BRONZE
 - RECEPTACLE
 - PLASTIC: LCP 94V-0 NATURAL
 - PIN: BeCu
 - FINISH
 - PIN : (FOR OTHER VERSIONS)
 - UNDER PLATING: 0.5um MIN. Ni
 - CONTACT AREA: 0.1um MIN. GOLD OVER 0.5um MIN. Pd-Ni
 - PIN : (FOR LEAD-FREE TYPE)
 - UNDER PLATING: 1.27um MIN. Ni
 - CONTACT AREA: 0.1um MIN. GOLD OVER 0.5um MIN. Pd-Ni
 - SOLDER TAIL: 2.5um MIN. PURE Tin.
 - GROUND SHIELD :
 - UNDER PLATING: 0.75um MIN. Ni
 - CONTACT SURFACE: 0.03um GOLD MIN. OVER Pd/Ni 0.5um MIN.(GOLD FLASH DOUBLE SIDES) OR, 0.38um GOLD(ONE SIDE ONLY)
 - PUSH ROD LOCATION AND P.C.B. ARE AS APPEARS INSTALLED
 - DIM "X"

4.25±0.1	3.5±0.1	5.0±0.1
OTHERS	36,67	1,17,34,35,51,68
 - DO NOT TOUCH AND KEEP CLEAN THE SURFACES OF PCB OF HEADER ASS'Y.
 - P.C.B LAYOUT AND PIN ASSIGNMENT REFERED TO PART NUMBER TA-1050.
 - IF LEAD FREE P./N.THE HOUSING WILL WITHSTAND EXPOSURE TO 260°C PEAK TEMPERATURE FOR 10 SECONDS IN A WAVE SOLDER APPLICATION WITH A 1.00MM MINIMUM THICK CIRCUIT BOARD.
 - IF LEAD FREE P./N.THE PRODUCT MEETS EUROPEAN UNION DIRECTIVES AND OTHER COUNTRY REGULATIONS AS DISCRIBLED IN GS-22-008
 - LEAD FREE P./N PACKAGING MEETS GS-14-920 SPECIFICATION

ORDERING INFORMATION

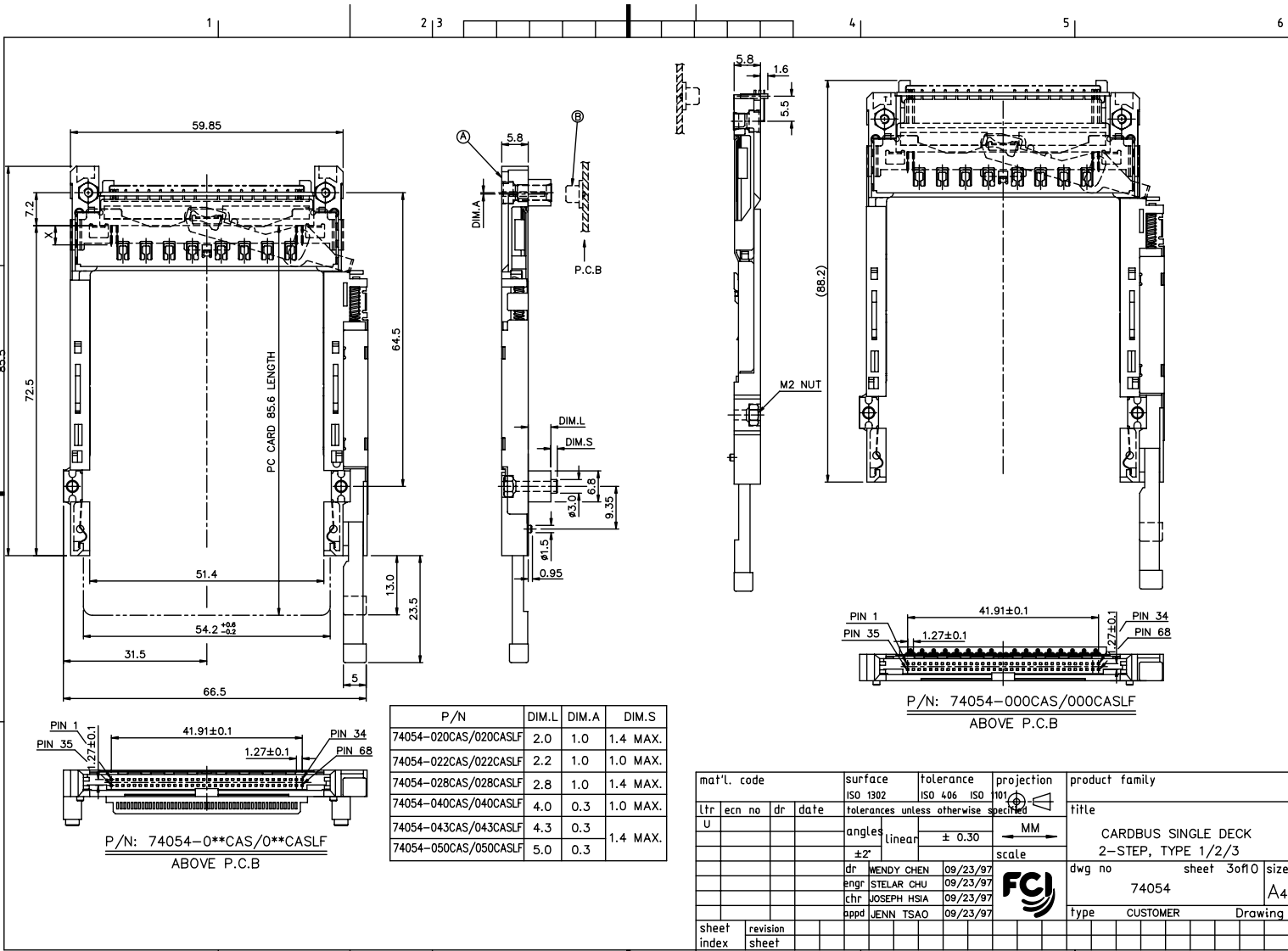
THREADED INSERT ASSEMBLED BY BERG		
NAME	PART NO.	Q'TY
(A) EJECT HEADER ASS'Y	74054-*****LF	1
(B) MATING RECEPTACLE	73277-101402LF	1

mat'l. code	surface ISO 1302	tolerance ISO 406 ISO 101	projection	product family
lfr	ecn no	dr	date	title
				CARDBUS SINGLE DECK
				2-STEP, TYPE 1/2/3
U				dwg no 74054
				sheet 2 of 10 size A4
				type CUSTOMER Drawing
sheet index	revision sheet			

FCI CONFIDENTIAL



This document is the property of and includes CONFIDENTIAL and PROPRIETARY information of FCI. No part of the information shown on this document may be used in any way or disclosed to others without the written consent of FCI. Copyright © FCI.



P/N	DIM.L	DIM.A	DIM.S
74054-020CAS/020CASLF	2.0	1.0	1.4 MAX.
74054-022CAS/022CASLF	2.2	1.0	1.0 MAX.
74054-028CAS/028CASLF	2.8	1.0	1.4 MAX.
74054-040CAS/040CASLF	4.0	0.3	1.0 MAX.
74054-043CAS/043CASLF	4.3	0.3	1.4 MAX.
74054-050CAS/050CASLF	5.0	0.3	1.4 MAX.

mat'l. code	surface	tolerance	projection	product family
ISO 1302	ISO 406	ISO 101		
U	tolerances unless otherwise specified	linear	MM	title
	angles ±2'	± 0.30	scale	CARBUS SINGLE DECK
	dr WENDY CHEN 09/23/97			2-STEP, TYPE 1/2/3
	enfr STELAR CHU 09/23/97			dwg no 74054
	chr JOSEPH HSIA 09/23/97			sheet 3 of 0
	pppd JENN TSAO 09/23/97			size A4
sheet index	revision sheet			type CUSTOMER Drawing

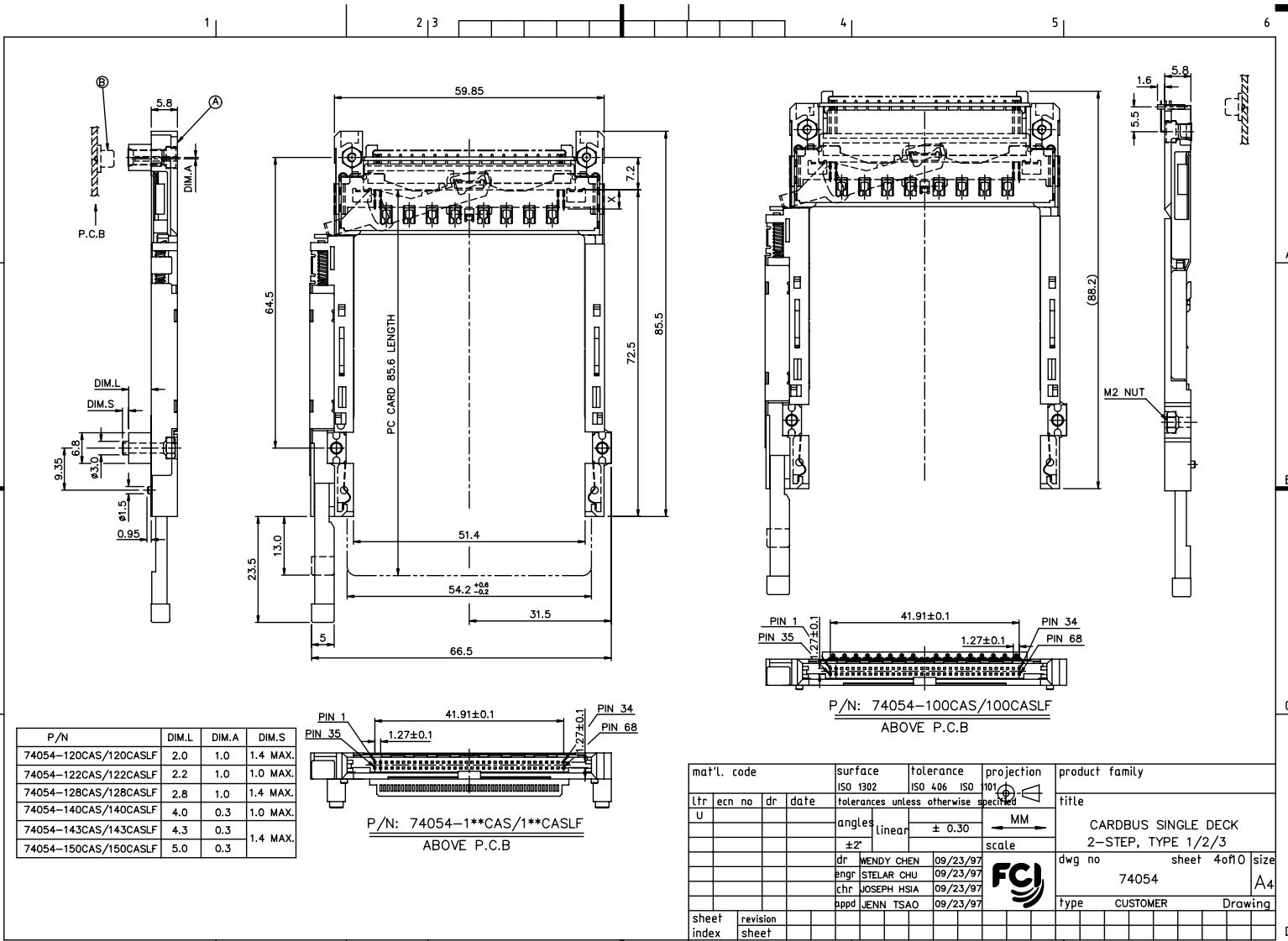
PDM: Rev:U STATUS Released Printed: Oct 12, 2010 6

FCI CONFIDENTIAL



FCIconnect.com

This document is the property of and includes CONFIDENTIAL and PROPRIETARY information of FCI. No part of the information shown on this document may be used in any way or disclosed to others without the written consent of FCI. Copyright © FCI.



P/N	DIM.L	DIM.A	DIM.S
74054-120CAS/120CASLF	2.0	1.0	1.4 MAX.
74054-122CAS/122CASLF	2.2	1.0	1.0 MAX.
74054-128CAS/128CASLF	2.8	1.0	1.4 MAX.
74054-140CAS/140CASLF	4.0	0.3	1.0 MAX.
74054-143CAS/143CASLF	4.3	0.3	1.4 MAX.
74054-150CAS/150CASLF	5.0	0.3	1.4 MAX.

mat'l. code	surface ISO 1302	tolerance ISO 406	projection ISO 101	product family
lfr	ecn no	dr	date	title
U				CARBUS SINGLE DECK 2-STEP, TYPE 1/2/3
				dwg no 74054
				sheet 4 of 0 size A4
				type CUSTOMER Drawing
sheet index	revision sheet			

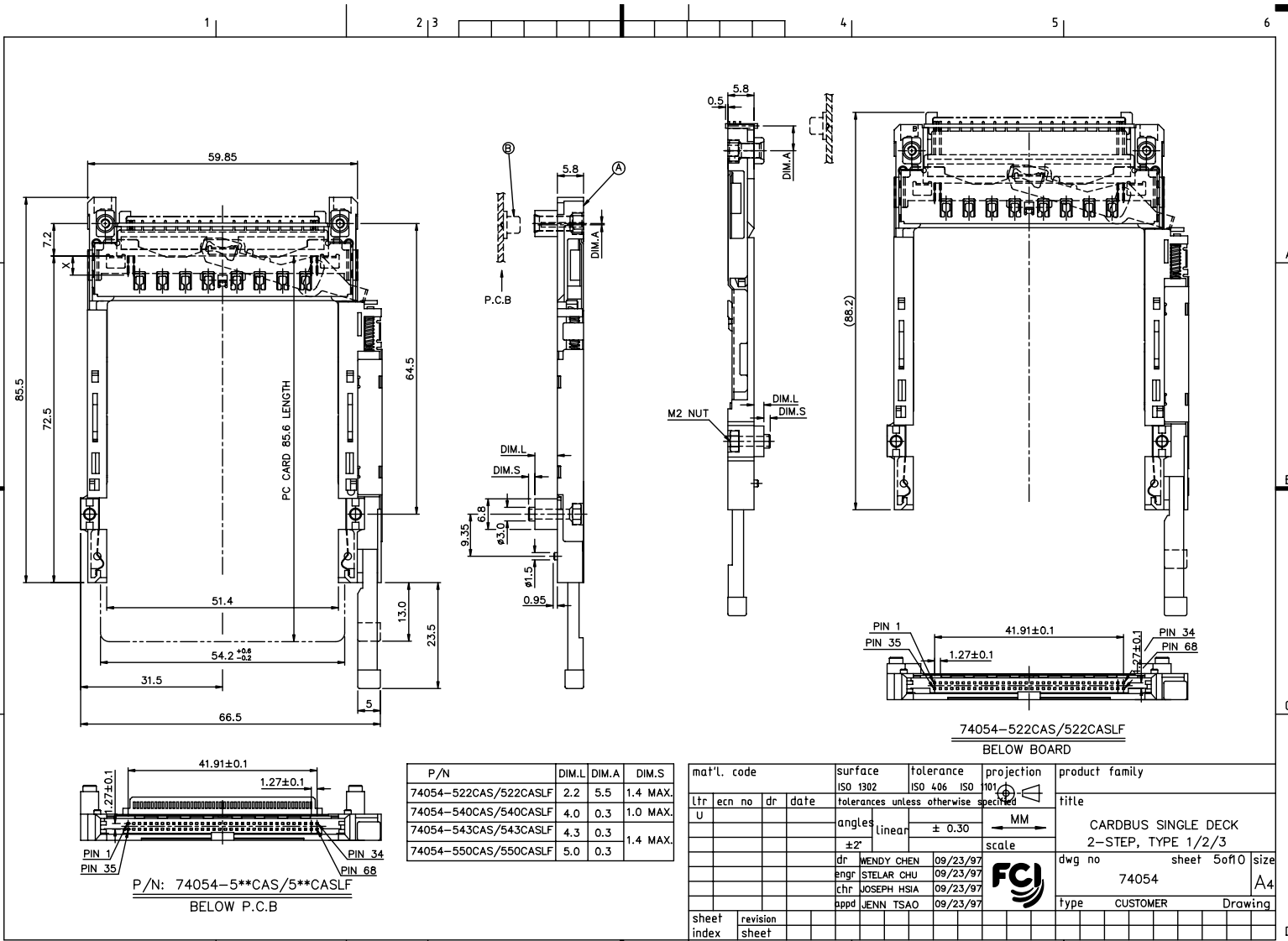
PDM: Rev:U STATUS: Released Printed: Oct 12, 2010 6

FCI CONFIDENTIAL

FCI

FCIconnect.com

This document is the property of and includes CONFIDENTIAL and PROPRIETARY information of FCI. No part of the information shown on this document may be used in any way or disclosed to others without the written consent of FCI. Copyright © FCI.



P/N	DIM.L	DIM.A	DIM.S
74054-522CAS/522CASLF	2.2	5.5	1.4 MAX.
74054-540CAS/540CASLF	4.0	0.3	1.0 MAX.
74054-543CAS/543CASLF	4.3	0.3	1.4 MAX.
74054-550CAS/550CASLF	5.0	0.3	1.4 MAX.

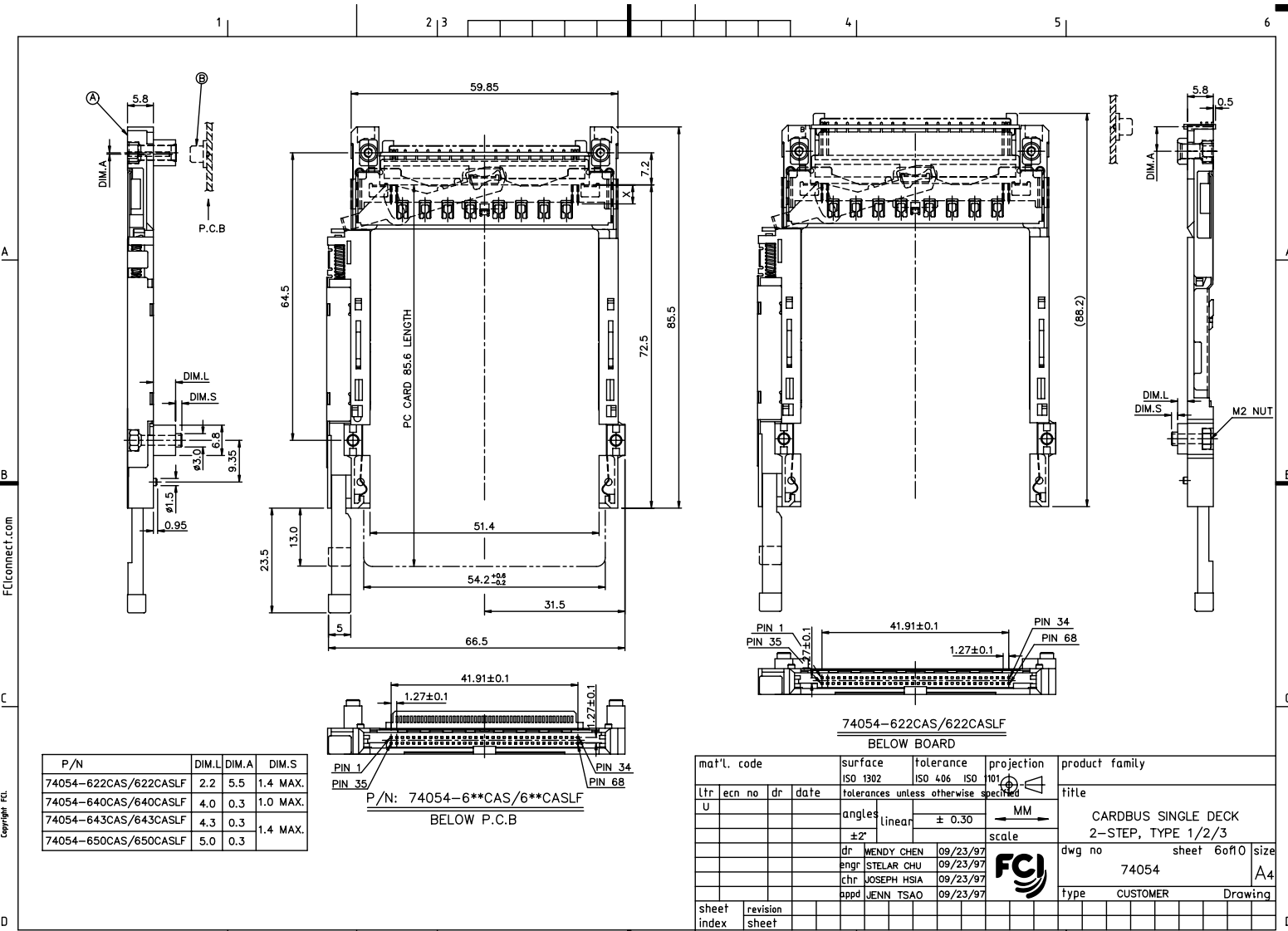
mat'l. code		surface	tolerance	projection	product family
ISO 1302		ISO 406	ISO 101		
U		tolerances unless otherwise specified			title
dr		angles	linear	± 0.30	CARBUS SINGLE DECK
engr		± 2°	scale	MM	2-STEP, TYPE 1/2/3
chr		dr WENDY CHEN	09/23/97		dwg no
ppd		engr STELAR CHU	09/23/97		74054
sheet		chr JOSEPH HSIA	09/23/97		type
index		ppd JENN TSAO	09/23/97		CUSTOMER
revision					Drawing
sheet					sheet 5 of 10
					size A4

PDM: Rev:U STATUS: Released Printed: Oct 12, 2010 6

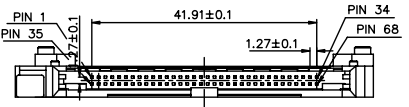
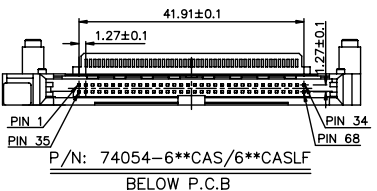
FCI CONFIDENTIAL

FCI

This document is the property of and includes CONFIDENTIAL and PROPRIETARY information of FCI. No part of the information shown on this document may be used in any way or disclosed to others without the written consent of FCI. Copyright © FCI.



P/N	DIM.L	DIM.A	DIM.S
74054-622CAS/622CASLF	2.2	5.5	1.4 MAX.
74054-640CAS/640CASLF	4.0	0.3	1.0 MAX.
74054-643CAS/643CASLF	4.3	0.3	1.4 MAX.
74054-650CAS/650CASLF	5.0	0.3	1.4 MAX.



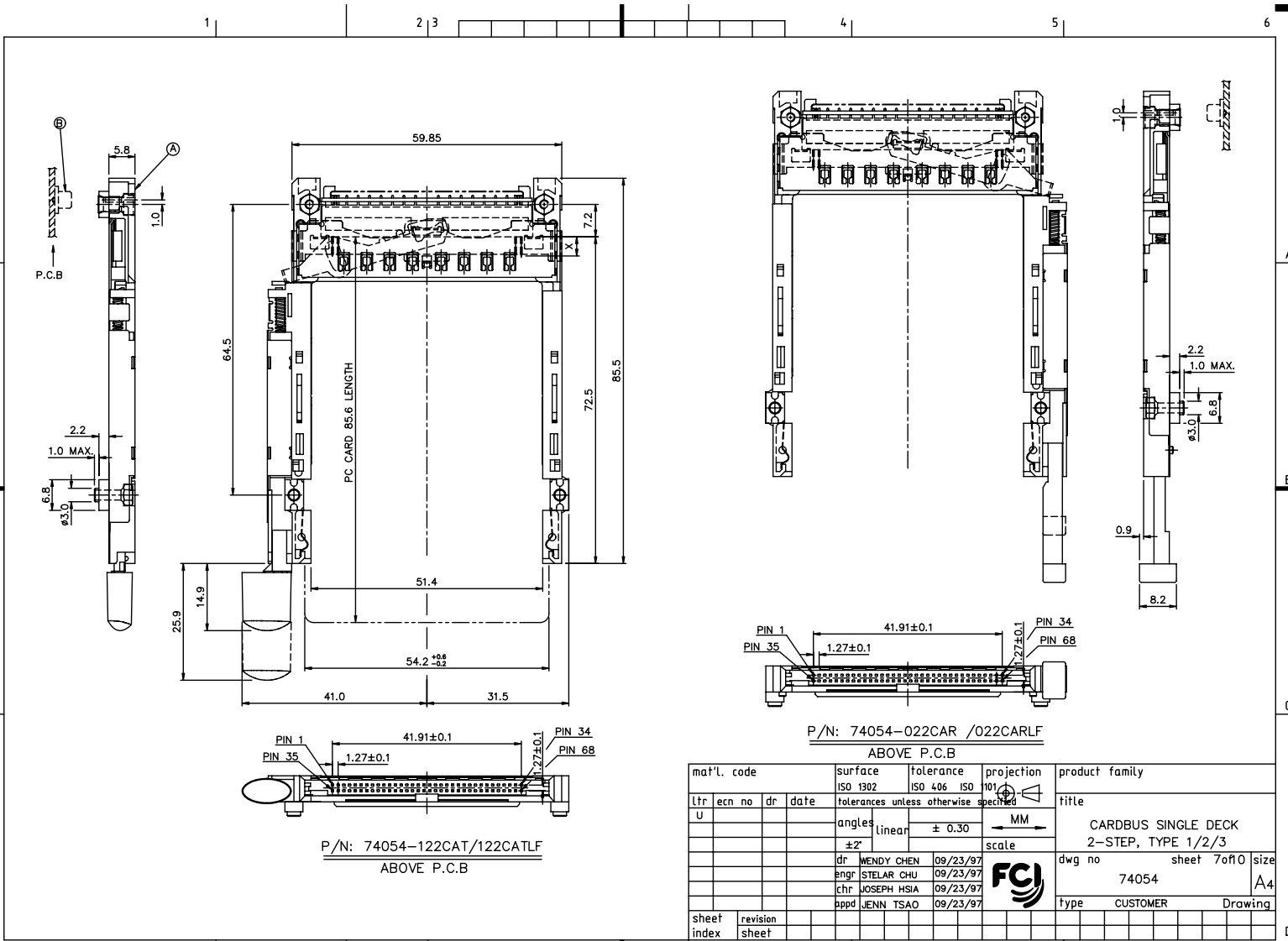
74054-622CAS/622CASLF
BELOW BOARD

mat'l. code	surface ISO 1302	tolerance ISO 406 ISO 101	projection 101	product family
ltr	ecn no	dr	date	title
U				CARBUS SINGLE DECK 2-STEP, TYPE 1/2/3
				MM
				scale
		dr	WENDY CHEN 09/23/97	dwg no
		enfr	STELAR CHU 09/23/97	74054
		chr	JOSEPH HSIA 09/23/97	sheet 6 of 10
		pppd	JENN TSAO 09/23/97	A4
sheet index	revision sheet			type CUSTOMER Drawing

PDM: Rev:U STATUS:Released Printed: Oct 12, 2010 6

form: A3

FCI CONFIDENTIAL
 FCI
 FCIconnect.com
 This document is the property of and includes CONFIDENTIAL and PROPRIETARY information of FCI. No part of the information shown on this document may be used in any way or disclosed to others without the written consent of FCI.
 Copyright © FCI



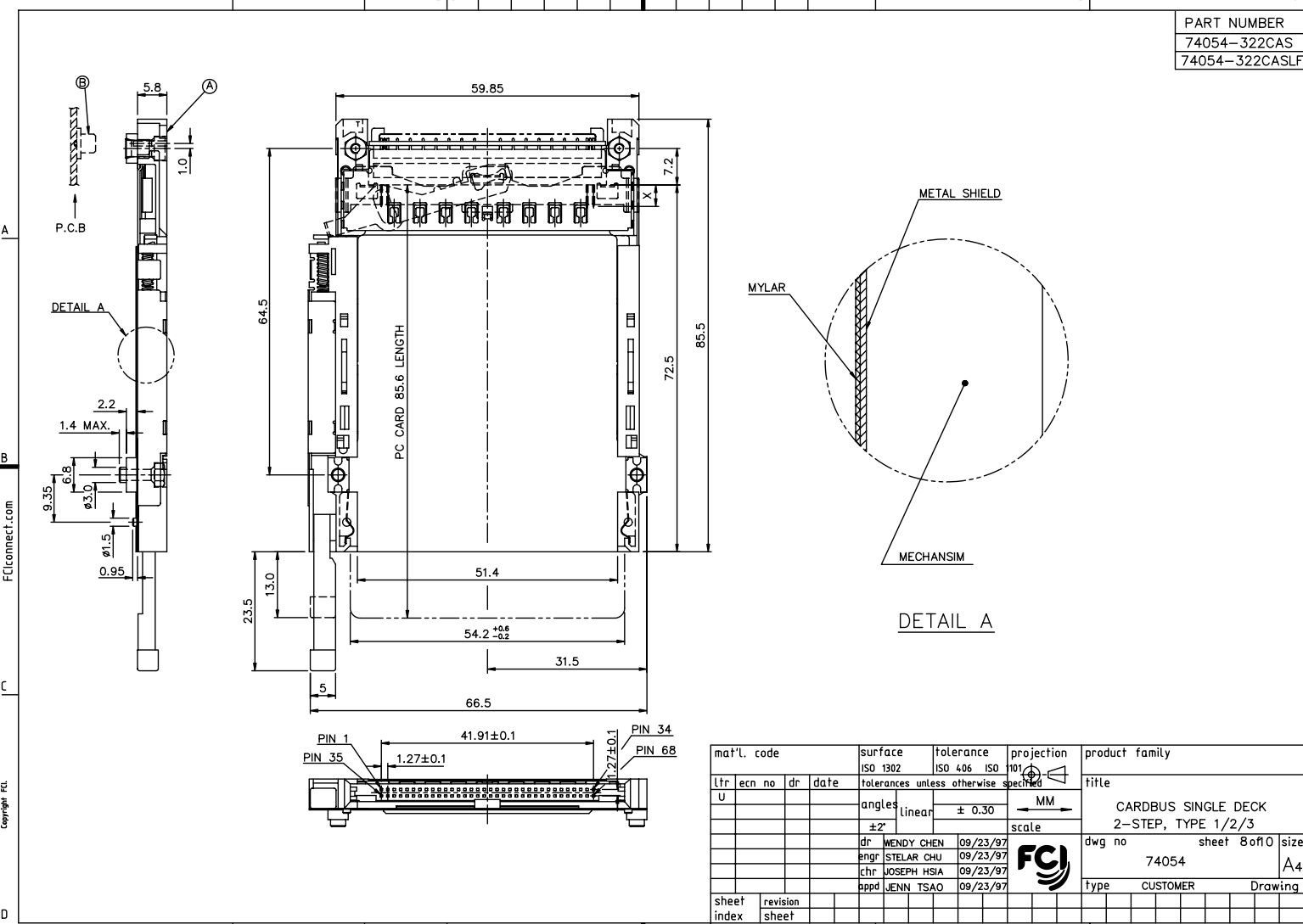
mat'l. code	surface	tolerance	projection	product family
ISO 1302	ISO 406	ISO 101		
ltr	ecn no	dr	date	title
U				CARBUS SINGLE DECK 2-STEP, TYPE 1/2/3
	angles	linear	± 0.30	MM
	±2'		scale	
	dr	WENDY CHEN	09/23/97	FCI
	enfr	STELAR CHU	09/23/97	dwg no
	chr	JOSEPH HSIA	09/23/97	74054
	pppd	JENN TSAO	09/23/97	sheet 7 of 10
sheet index	revision sheet			size A4
				type CUSTOMER Drawing

PDM: Rev:U STATUS **Released** Printed: Oct 12, 2010 6

FCI CONFIDENTIAL

FCI

This document is the property of and includes CONFIDENTIAL and PROPRIETARY information of FCI. No part of the information shown on this document may be used in any way or disclosed to other parties without the written consent of FCI. Copyright © FCI.



PART NUMBER
74054-322CAS
74054-322CASLF

mat'l. code	surface	tolerance	projection	product family
ISO 1302	ISO 406	ISO 101	MM	CARBUS SINGLE DECK
U	tolerances unless otherwise specified	linear	scale	2-STEP, TYPE 1/2/3
	angles	± 0.30		dwg no 74054
	± 2°			sheet 8 of 10
	dr WENDY CHEN	09/23/97		size A4
	enfr STELAR CHU	09/23/97		
	chr JOSEPH HSIA	09/23/97		
	pppd JENN TSAO	09/23/97		
sheet index	revision sheet			type CUSTOMER Drawing

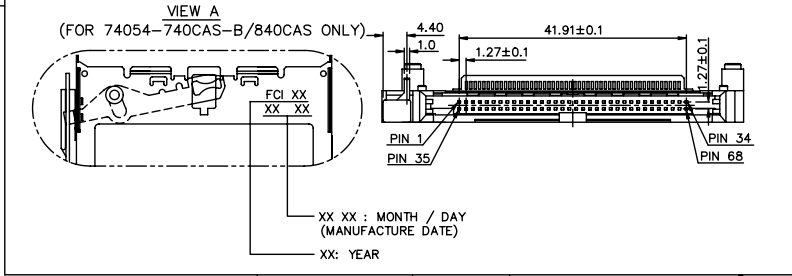
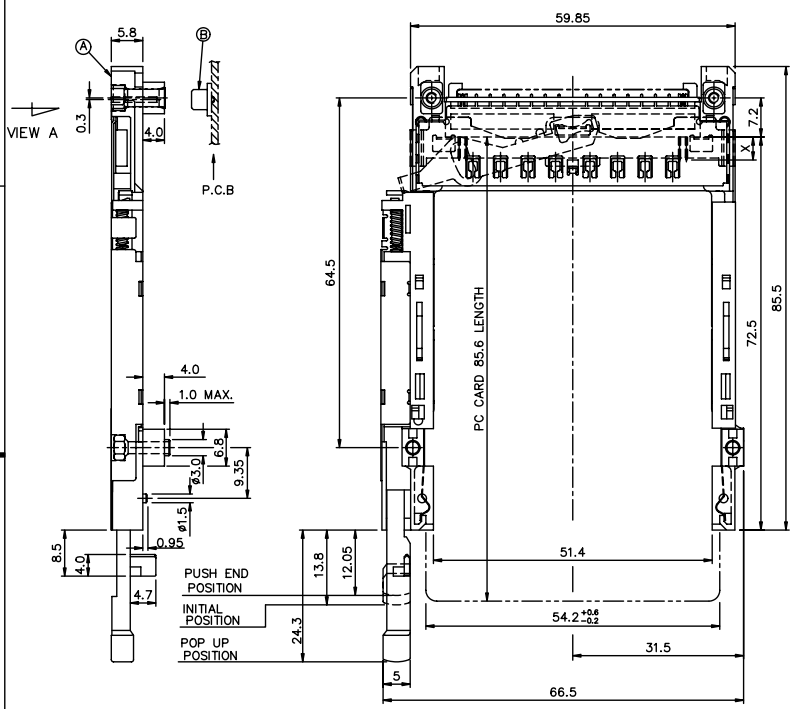
PDM: Rev:U STATUS:Released Printed: Oct 12, 2010 6

FCI CONFIDENTIAL

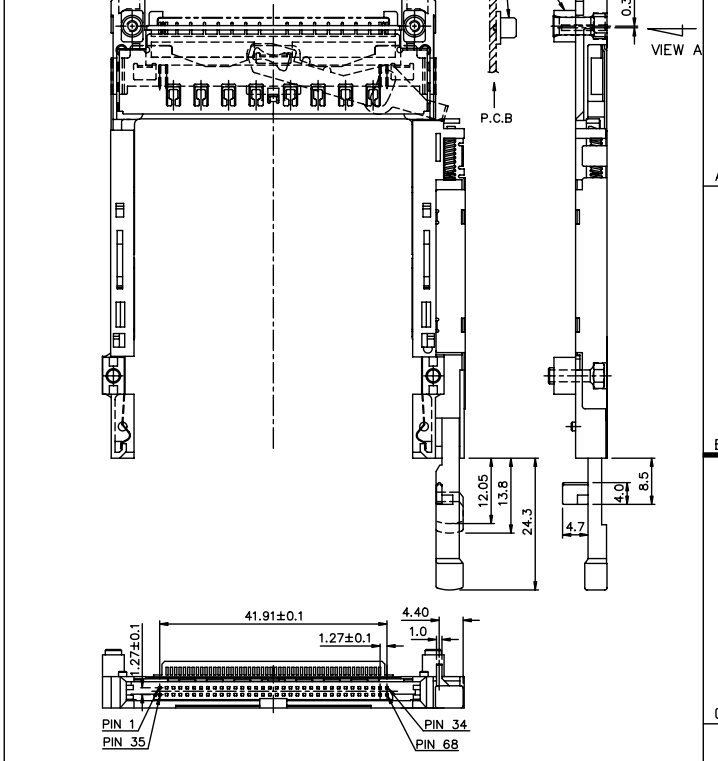
FCI

This document is the property of and includes CONFIDENTIAL and PROPRIETARY information of FCI. No part of the information shown on this document may be used in any way or disclosed to others without the written consent of FCI. Copyright © FCI.

PART NUMBER	PUSH ROD COLOR
74054-740CAS-B	BLACK



PART NUMBER	PUSH ROD COLOR
74054-840CAS	BLACK



mat'l. code	surface	tolerance	projection	product family
ISO 1302	ISO 406	ISO 101	MM	CARDBUS SINGLE DECK
tolerances unless otherwise specified				title
linear ± 0.30				2-STEP, TYPE 1/2/3
angles ± 2'				dwg no
scale				74054
dr WENDY CHEN 09/23/97				sheet 9 of 10
engr STELAR CHU 09/23/97				A4
chr JOSEPH HSIA 09/23/97				type CUSTOMER
ppd JENN TSAO 09/23/97				Drawing
sheet index	revision sheet			

PDM: Rev:U STATUS Released Printed: Oct 12, 2010 6

FCI CONFIDENTIAL

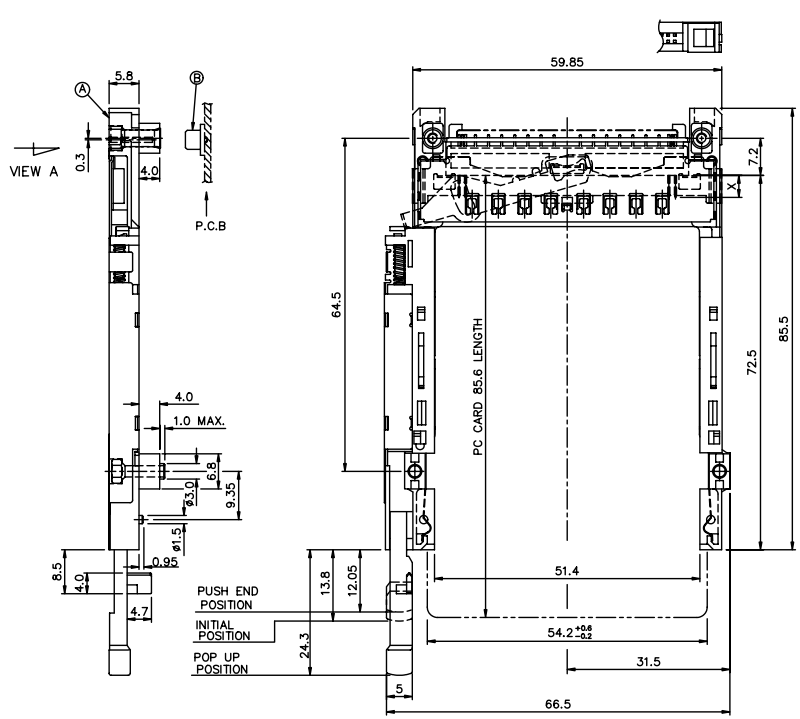
FCI

This document is the property of and includes CONFIDENTIAL and PROPRIETARY information of FCI. No part of the information shown on this document may be used in any way or disclosed to others without the written consent of FCI. Copyright © FCI.

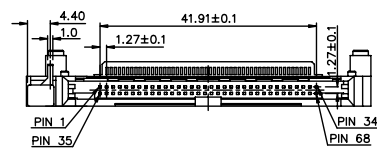
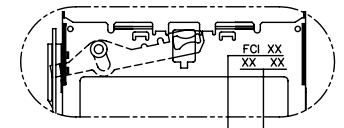
PART NUMBER	PUSH ROD COLOR
74054-740CAS-BLF	BLACK

PART NUMBER	PUSH ROD COLOR
74054-840CASLF	BLACK

PART NUMBER
74054-322CAS
74054-322CASLF

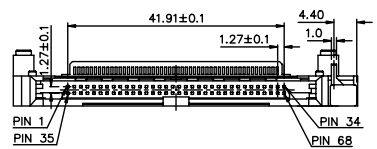
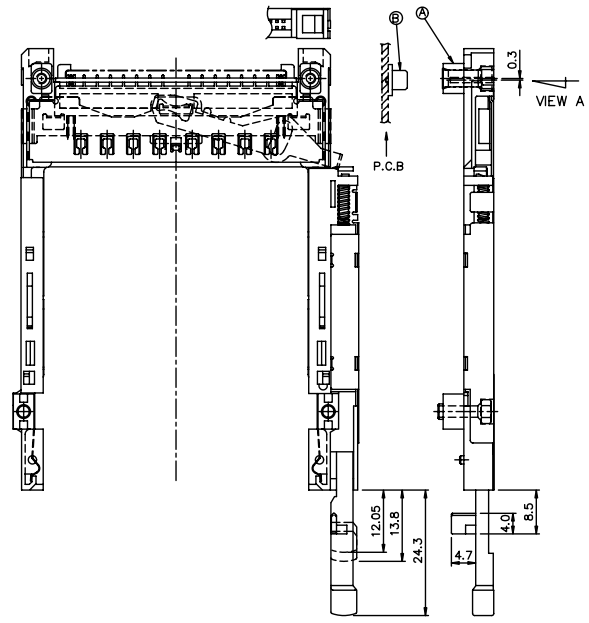


VIEW A
(FOR 74054-740CAS-BLF/840CASLF ONLY)



XX XX : MONTH / DAY
(MANUFACTURE DATE)
XX: YEAR

form: A3 1 2 3



mat'l. code	surface	tolerance	projection	product family
	ISO 1302	ISO 406	ISO 101	
lfr	ecn no	dr	date	title
U				CARDBUS SINGLE DECK 2-STEP, TYPE 1/2/3
				dwg no 74054 sheet 10 of 10 size A4
				type CUSTOMER Drawing
sheet index	revision sheet			

PDM: Rev:U STATUS:Released Printed: Oct 12, 2010 6