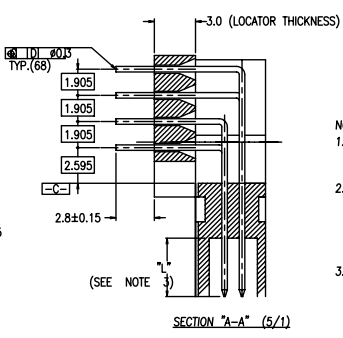
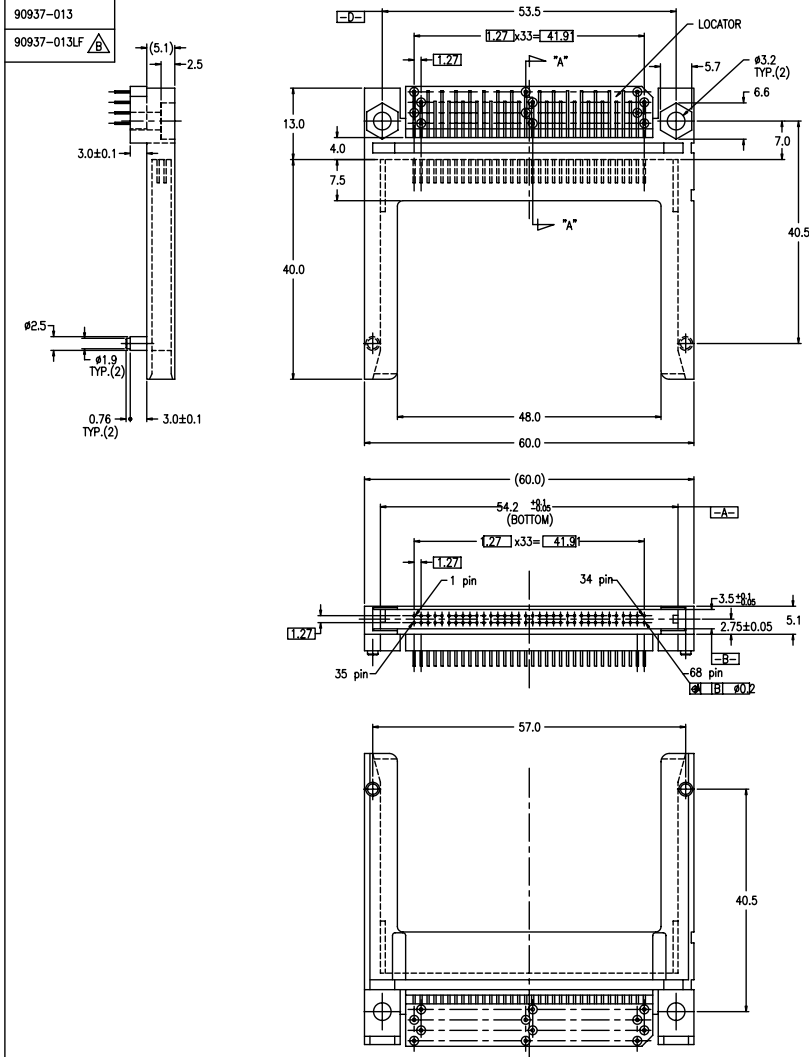


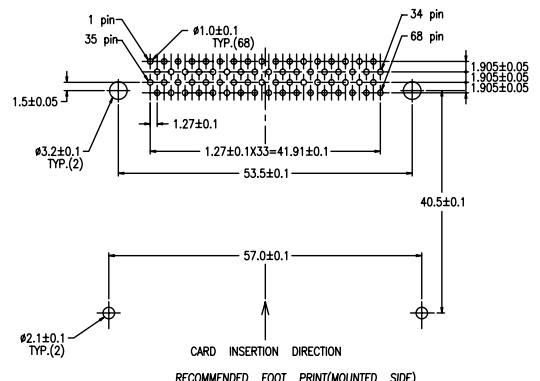
PRODUCT No.
 90937-013
 90937-013LF

REVISIONS				
REV	DESCRIPTION	ECN	BY	DATE
1	SKETCHED		MM	4/8/92
2	REVISED		KS	10/14/92
A	RELEASED		J30167 KS	6/1/93
B	REVISED(Add "LF")		nos-0031 MZ	03/08/06



- NOTE
- MATERIAL
 BODY : LCP UL94V-0 BLACK
 PIN : PHOSPHOR BRONZE
 - FINISH(PIN)
 ALL OVER : Ni UNDER PLATING 0.5um THK MIN.
 CONTACT AREA : Au 0.1um THK MIN.
 OVER P2/A1 : 0.5um THK MIN.
 SOLDER TAIL(Tin Lead option) : Sn/Pb 2.5um THK MIN.
 SOLDER TAIL(Lead free option) : Pure Tin 2.5um THK MIN.
 - DIMENSION "L"

1,17,34,35,51,68PIN	5.0 ± 0.1
36,67PIN	3.5 ± 0.1
OTHERS	4.25 ± 0.1
 - CARD SLOT AND PIN DIMENSIONS PER JEIDA/PCMCIA STANDARDS
 - IF LEAD FREE P/N THE HOUSING WILL WITHSTAND EXPOSURE TO 260°C PEAK TEMPERATURE FOR 10 SECONDS IN A WAVE SOLDER APPLICATION WITH A 1.00MM MINIMUM THICK CIRCUIT BOARD.
 - IF LEAD FREE P/N THE PRODUCT MEETS EUROPEAN UNION DIRECTIVES AND OTHER COUNTRY REGULATIONS AS DESCRIBED IN GS-22-008
 - LEAD FREE P/N PACKAGING MEETS GS-14-920 SPECIFICATION



SHEET INDEX	ISSUE	SH NO.	MAY	OR	DATE	CUSTOMER COPY	TITLE	
			SEE NOTE 1	SKETCH	6/1/93		68POS. HEADER ASSY	
LINEAR	TOLERANCES UNLESS OTHERWISE SPECIFIED	±0.3	FINISH	CHK		UNIT	JEIDA / PCMCIA TYPE B	
ANGLES			SEE NOTE 2	TAPPD		SCALE	2/1 C	
							DWG. NO.	90937
							REV	B
							SHEET	3 of

BERG
ELECTRONICS

