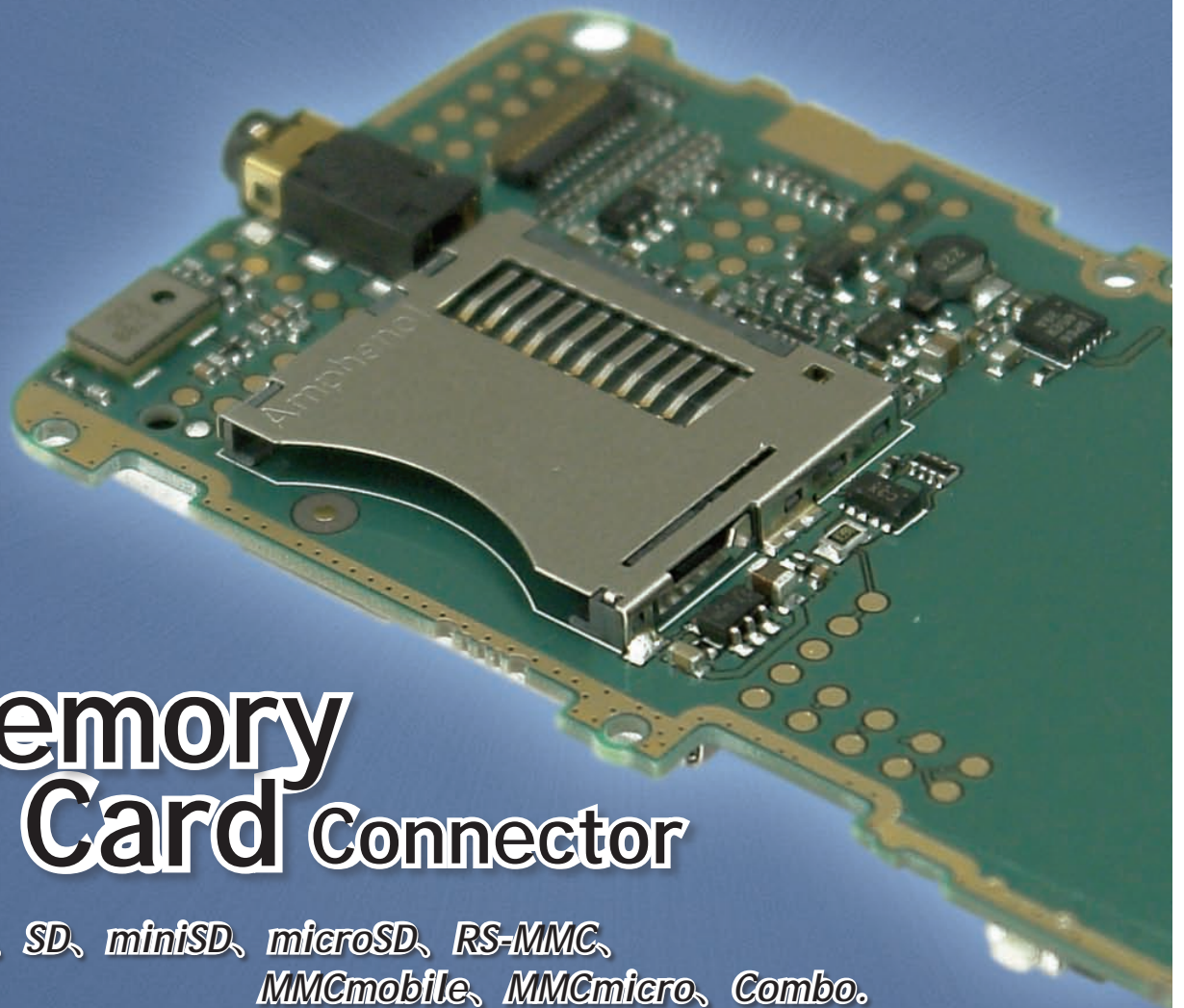


Amphenol



Memory Card Connector

*CF, SD, miniSD, microSD, RS-MMC,
MMCmobile, MMCmicro, Combo.*

Contents:

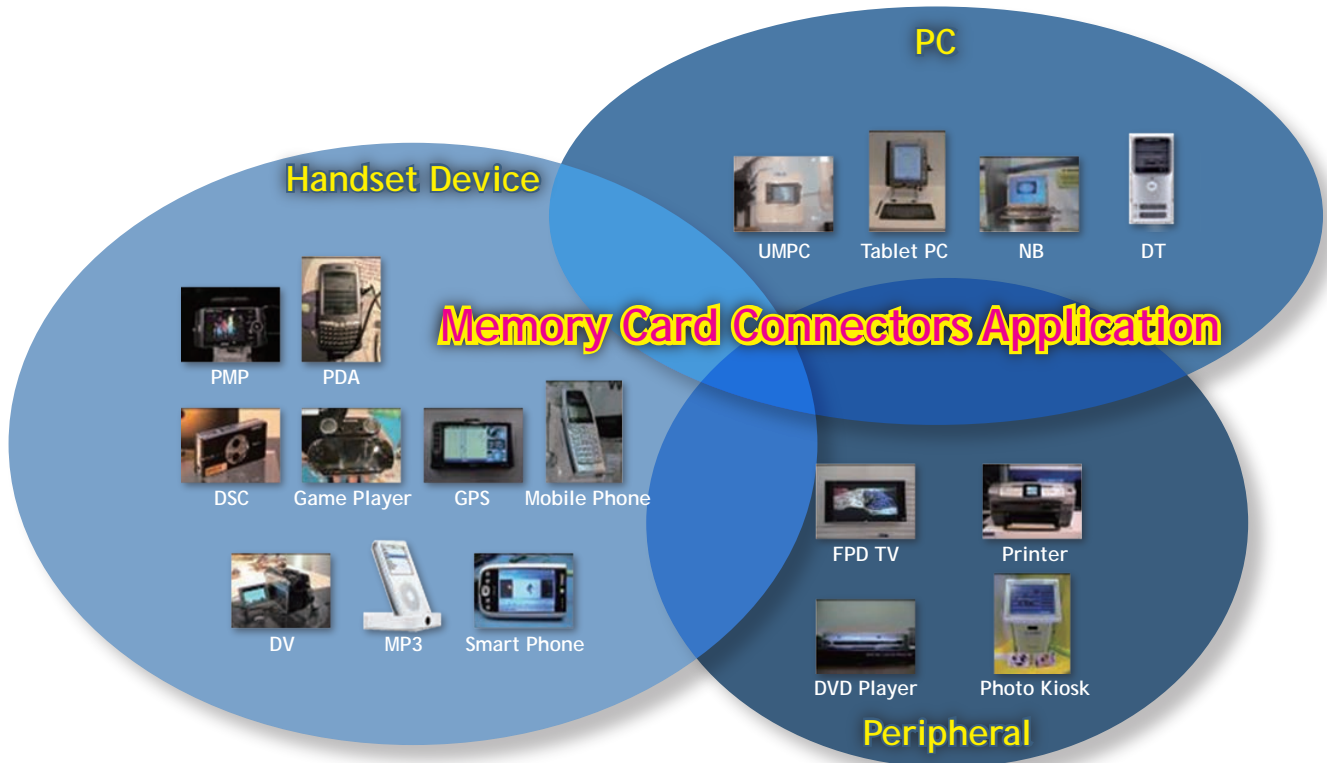
Application.....	2	CF and MMC Series.....	5
SD	3	Combo Type Series.....	6,7
microSD and miniSD.....	4		

Amphenol

Memory Card Connectors Application

Amphenol is establishing a leading presence in the memory card connector industry for 4C (Computer, Communication, Consumer electronics, and Car electronics) applications. Through enhanced product

development, manufacturing, and quality assurance we offer better performance and smaller size products at significantly lower prices.



Connector Types	Applications
CF	DT PCs, IPCs, FPD TVs, DVD Players, Printers, Photo Kiosks, DSLRs.
SD	DSCs, DVs, Smart Phones, PDAs, PMPs, GPS Devices, Game Players, DT PCs, FPD TVs, DVD Players, Printers, Photo Kiosks.
miniSD	DSCs, DVs, Mobile Phones, Smart Phones, PDAs, MP3s, GPS Devices, Game Players.
microSD	Mobile Phones, MP3s.
RS-MMC	DSCs, DVs, Mobile Phones, Smart Phones, PDAs, MP3s, GPS Devices, Game Players.
MMCmobile	DSCs, DVs, Mobile Phones, Smart Phones, PDAs, MP3s, GPS Devices, Game Players.
MMCmicro	Mobile Phones, MP3s.
Combo	NB PCs, DT PCs, FPD TVs, DVD Players, Printers, Photo Kiosks.

Amphenol

Memory Card Connectors microSD and miniSD

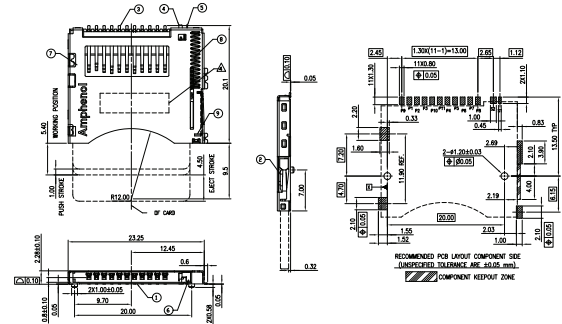


microSD and miniSD memory card connectors could be applied to DSCs, DVs, Mobile Phones, Smart Phones, PDAs, MP3s, GPS Devices, Game Players.

miniSD



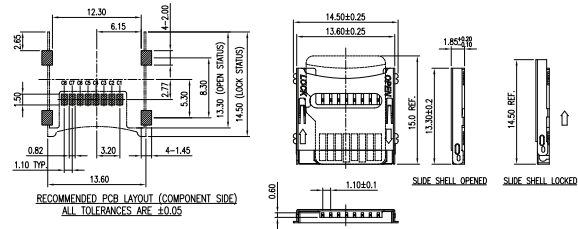
GSD11001BEU
Reverse, P/P, 30u", Black, RoHS



microSD



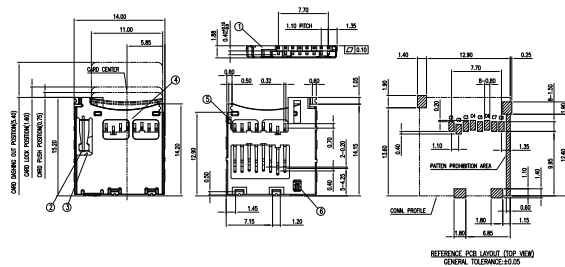
GTFH08121HEU
Normal, Hinge Type, 10u", 8-Pin, Black, RoHS



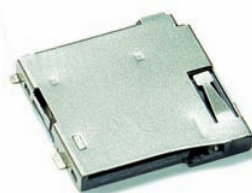
microSD



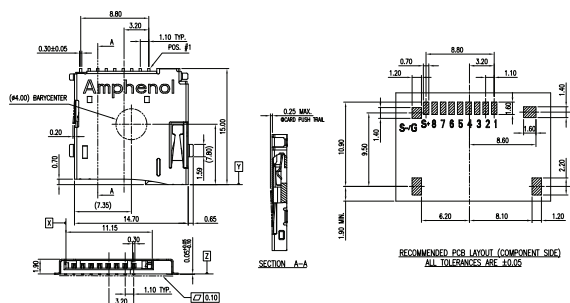
GTFP08121HEU
Normal, P/P, 10u", 8-Pin, Black, RoHS



microSD



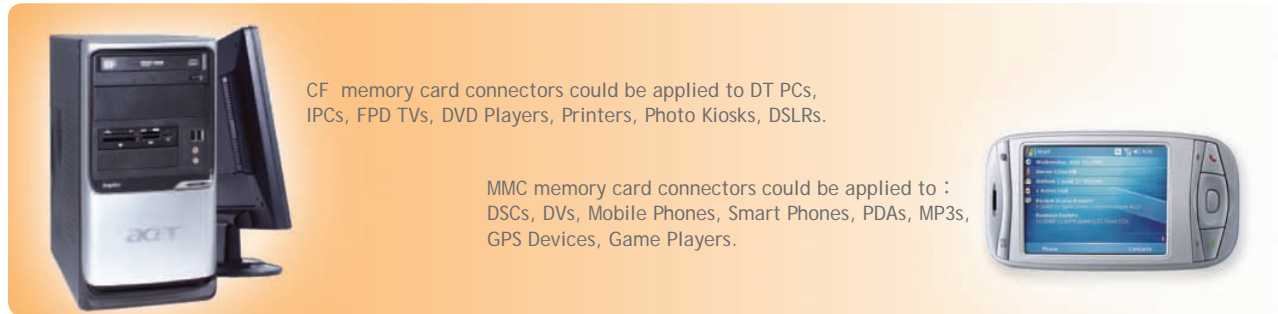
GTFP08131LEU
Normal, P/P, 15u", 9-Pin, w/Post, Black, RoHS



Amphenol

Memory Card Connectors

CF and MMC Series



CF memory card connectors could be applied to DT PCs, IPCs, FPD TVs, DVD Players, Printers, Photo Kiosks, DSLRs.

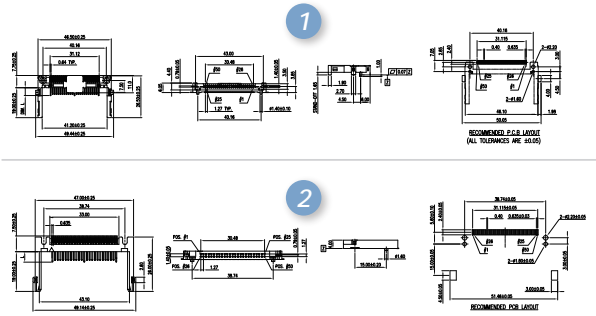
MMC memory card connectors could be applied to : DSCs, DVs, Mobile Phones, Smart Phones, PDAs, MP3s, GPS Devices, Game Players.

CF

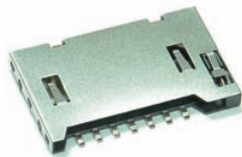


1. G659CEU120200P 2. G659CEU150100P

1. Type I, Reverse, G/F, 1.65mm Stand-Off, Ivory, RoHS
2. Type I & II, Normal, Low Profile, G/F, Ivory, RoHS

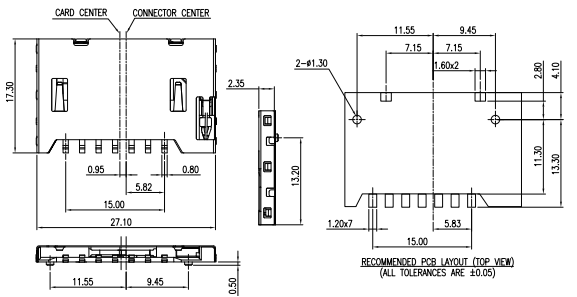


RS-MMC



GMMC004CEU

Normal, P/P, G/F, Black, RoHS

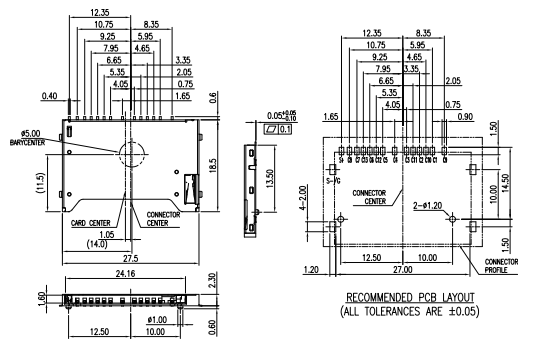


MMCmobile

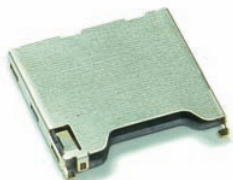


GMMC001LEU

Normal, P/P, 10u", Black, RoHS

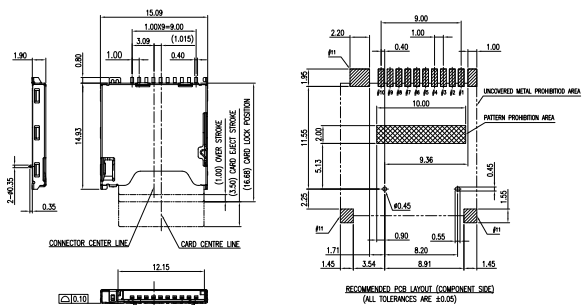


MMCmicro



GMMC005PEU

Normal, P/P, 10u", Black, RoHS



Amphenol

Memory Card Connectors

Combo Type Series

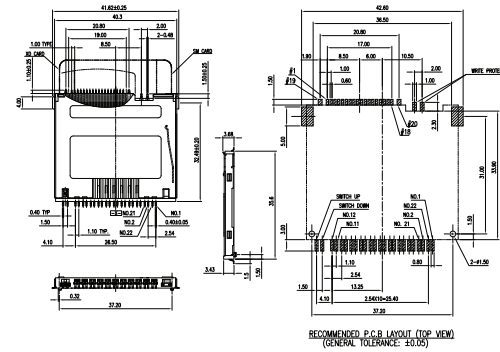


Combo Type memory card connectors could be applied to NB PCs, DT PCs, FPD TVs, DVD Players, Printers and Photo Kiosks.

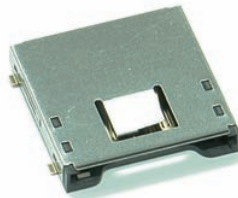
2 in 1



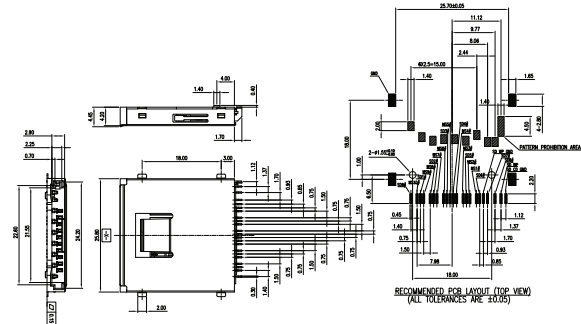
GMC020020SEU
SM/xD, Normal, G/F, Black, RoHS



3 in 1



GMC030030SEU
SD/MMC/MS, Normal, G/F, Black, RoHS

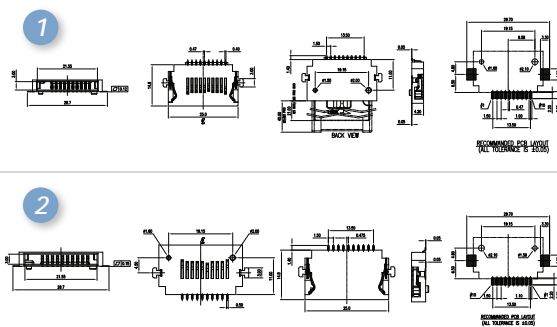


4 in 1

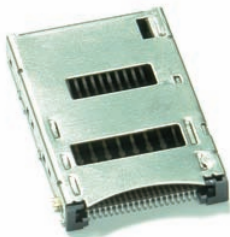


1. GMC040030SEU **2. GMC040040SEU**

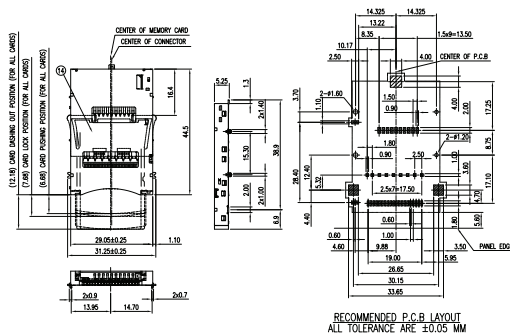
MS/MS Duo/MS PRO/MS PRO Duo,
1. (GMC040030SEU) → Reverse,
2. (GMC040040SEU) → Normal,
G/F, Black, RoHS



4 in 1



GMC040053TEU
SD/MMC/MS/xD, Normal, P/P, 15u", Black, RoHS



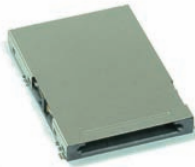
Amphenol

Memory Card Connectors

Combo Type Series

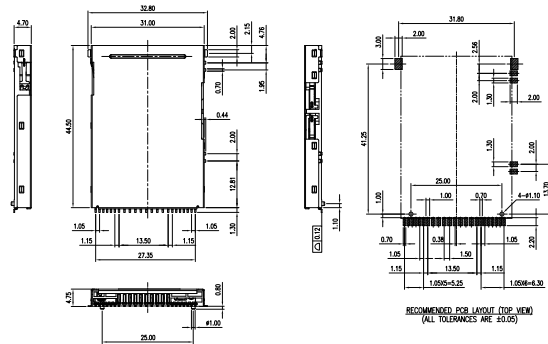


5 in 1



GMC050043EU

SD/MMC/MMCplus/MS/MS PRO, Normal
P/P, 15", Black, RoHS

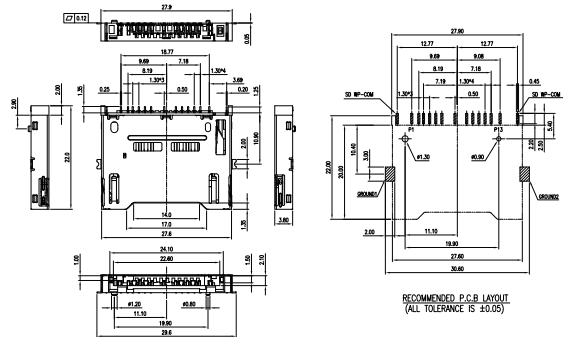


5 in 1

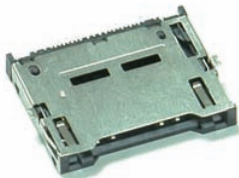


GMC050050SEU

SD/MMC/MMCplus/RS-MMC/MMCmobile, Normal
G/F, Black, RoHS

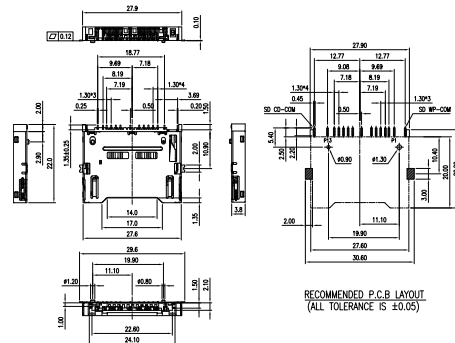


5 in 1



GMC050060SEU

SD/MMC/MMCplus/RS-MMC/MMCmobile, Reverse
G/F, Black, RoHS

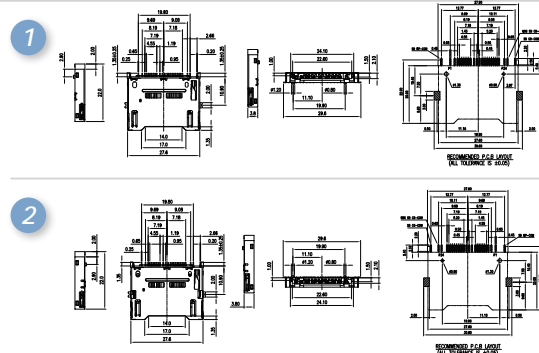


6 in 1



1. GMC060030SEU 2. GMC060040SEU

SD/miniSD/MMC/MMCplus/RS-MMC/MMCmobile,
1. (GMC060030SEU) → Normal,
2. (GMC060040SEU) → Reverse,
G/F, Black, RoHS



Amphenol