

(1,27mm) .050"
FCF, EMF SERIES

FLEXCARD™ TERMINAL & SOCKET STRIPS

SPECIFICATIONS

For complete specifications and recommended PCB layouts see www.samtec.com?FCF

Insulator Material: Black Liquid Crystal Polymer



Terminal Material: Phosphor Bronze

Plating: Sn or Au over 50µ" (1,27µm) Ni

Current Rating: 2A @ 80°C ambient

Operating Temp Range: -55°C to +105°C with Tin; -55°C to +125°C with Gold

Lead-Free Solderable: Yes

RoHS Compliant: Yes

Lead-Free Solderable: Yes

RoHS Compliant: Yes

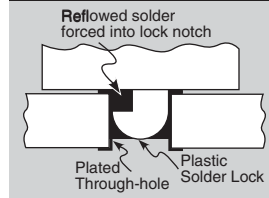
Lead-Free Solderable: Yes

RoHS Compliant: Yes

Lead-Free Solderable: Yes

RoHS Compliant: Yes

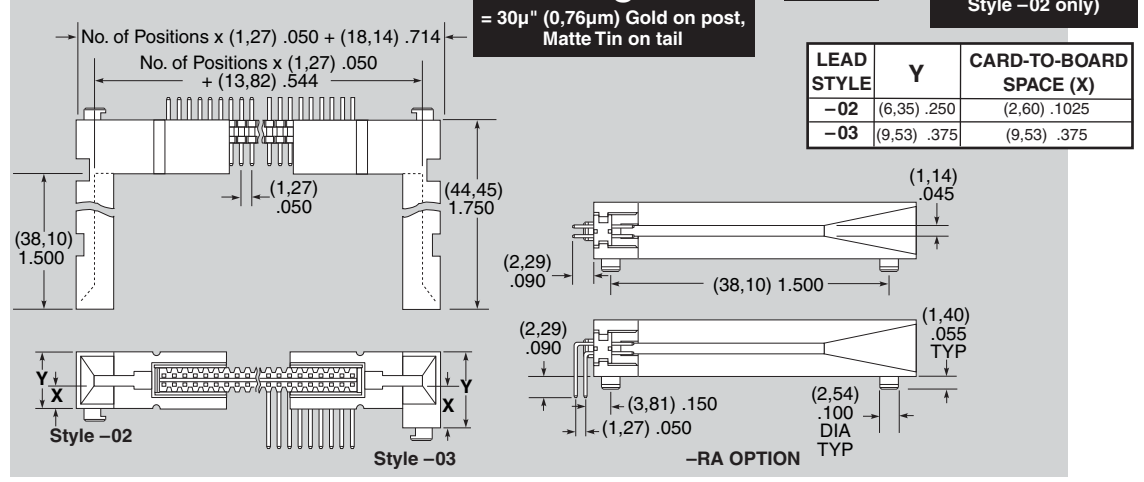
APPLICATIONS



Note: Some lengths, styles and options are non-standard, non-returnable.



Mates with: EMF
20, 30, 40 & 50 (Call Samtec for other sizes)
Specify LEAD STYLE from chart
-L = 10µ" (0,25µm) Gold on post, Matte Tin on tail
-S = 30µ" (0,76µm) Gold on post, Matte Tin on tail
-01 = Accepts (0,80mm) .031" thick card
-RA = Right Angle (Leave blank for vertical version. Style -02 only)



SPECIFICATIONS

For complete specifications and recommended PCB layouts see www.samtec.com?EMF

Insulator Material: Black Liquid Crystal Polymer



Contact Material: BeCu

Plating: Au or Sn over 50µ" (1,27µm) Ni

Current Rating: 1A

Operating Temp Range: -55°C to +125°C

Contact Resistance: 10 mΩ max

Insertion Depth: (3,05mm) .120" to (4,06mm) .160"

Insertion Force: (Single contact only) 3.0oz (0,83N) avg.

Withdrawal Force: (Single contact only) 2.0oz (0,56N) avg.

Lead-Free Solderable: Yes

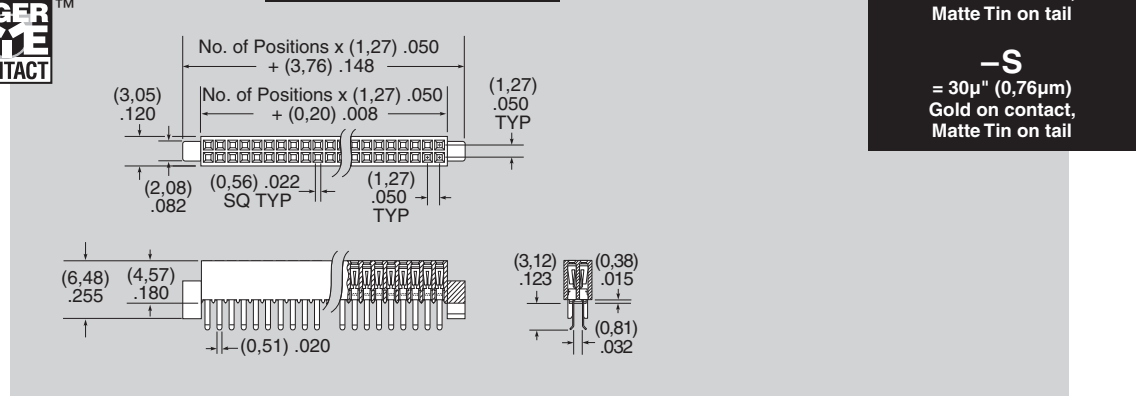
SMT Lead Coplanarity: (0,10mm) .004" max (20)

(0,15mm) .006" max (30-50)

RoHS Compliant: Yes



Mates with: FCF
Note: Some lengths, styles and options are non-standard, non-returnable.
20, 30, 40 & 50 (Call Samtec for other sizes)
-01 = (0,80mm) .031" thick board
-L = 10µ" (0,25µm) Gold on contact, Matte Tin on tail
-S = 30µ" (0,76µm) Gold on contact, Matte Tin on tail



Due to technical progress, all designs, specifications and components are subject to change without notice.

WWW.SAMTEC.COM