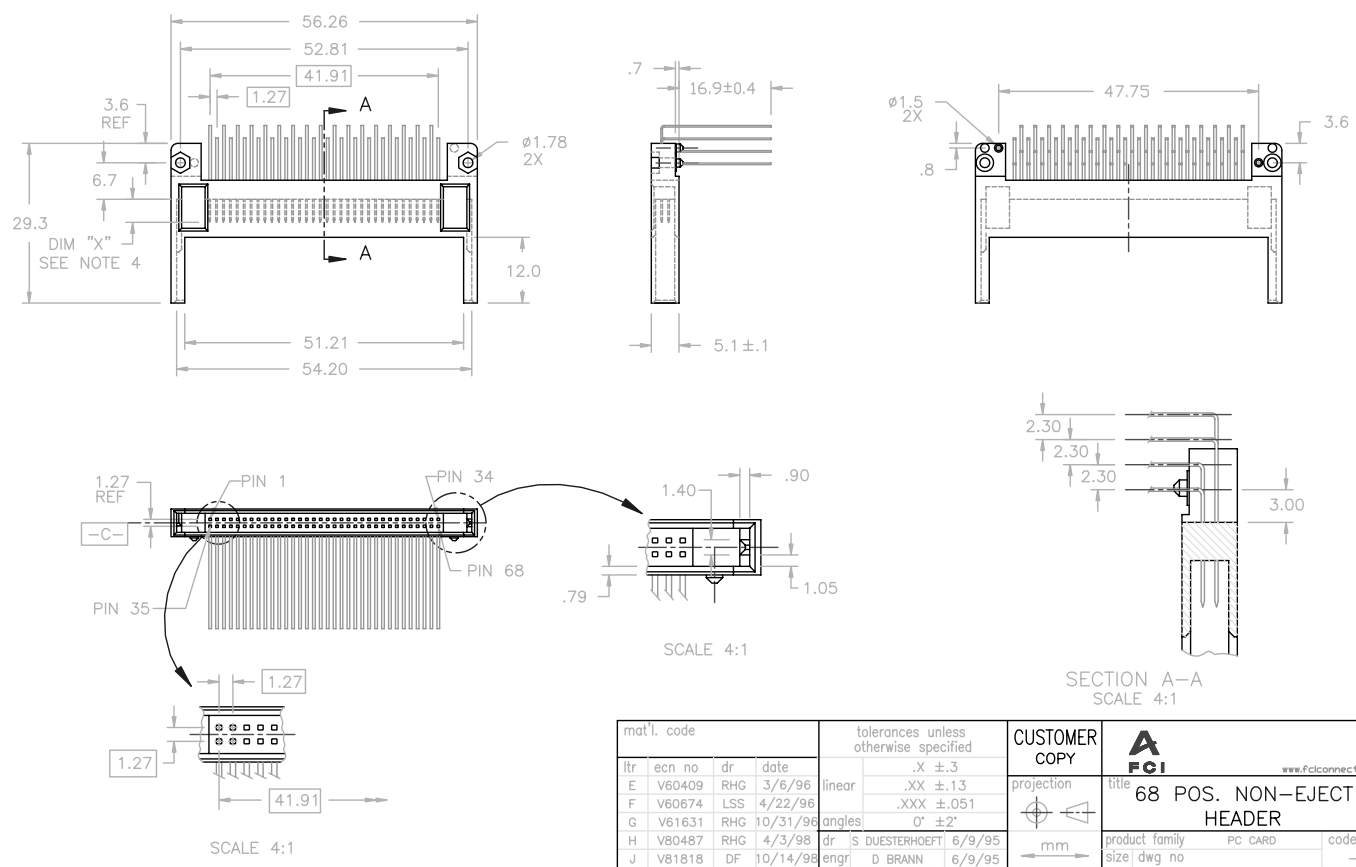


Tous droits strictement réservés. Reproduction ou communication a des tiers interdite sous quelque forme que ce soit sans autorisation écrite du propriétaire. Propriété de ©BERG ELECTRONICS. Droits de reproduction BERG ELECTRONICS INC.

All rights strictly reserved. Reproduction or issue to third parties in any form whatever is not permitted without written authority from the proprietor. Property of ©BERG ELECTRONICS. Copyright BERG ELECTRONICS INC.

PRODUCT NO.  
95624-001/001LF



mat'l. code		tolerances unless otherwise specified		CUSTOMER COPY	 www.fciconnect.com	
ltr	ecn no dr date	linear	.X ±.3 .XX ±.13 .XXX ±.051 0' ±2'	projection		
E	V60409 RHG 3/6/96	angles	dr S DUESTERHOEFT 6/9/95		title	
F	V60674 LSS 4/22/96		enr D BRANN 6/9/95		68 POS. NON-EJECT HEADER	
G	V61631 RHG 10/31/96		chr D BRANN 6/9/95	scale	product family PC CARD code	
H	V80487 RHG 4/3/98		appd D BRANN 6/9/95	1:1	size dwg no	
J	V81818 DF 10/14/98				A4 95624	
K	V91843 CGC 10/7/99				sheet 1 of 4	
L	N05-0042 WB 02/17/03					
sheet index	revision sheet	L 1	L 2	L 3	L 4	cage code 2526

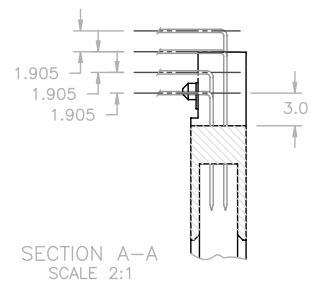
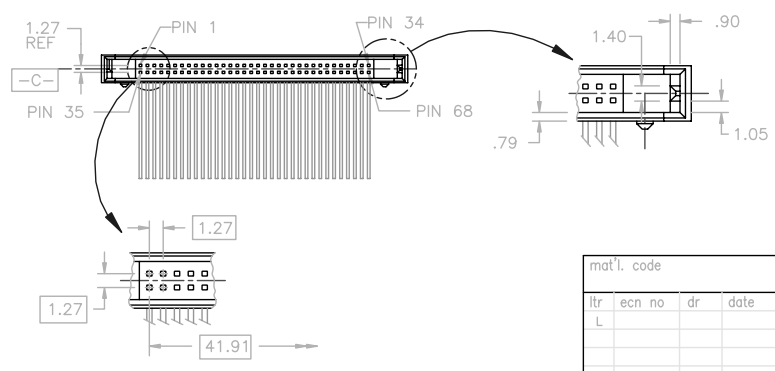
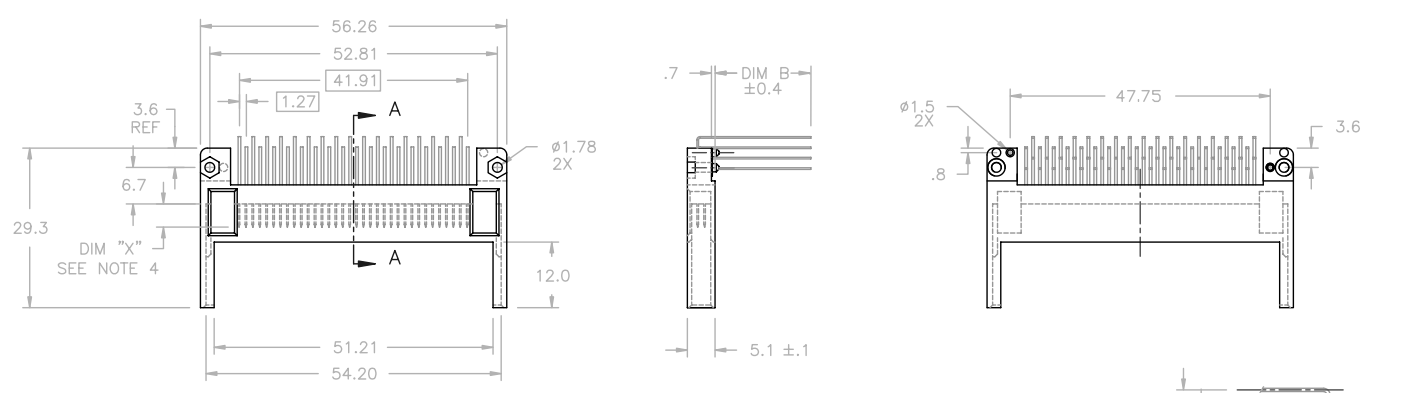
form no. 7530-001-103

PDM: Rev:L STATUS Released 2526 Oct 12, 2010

Tous droits strictement réservés. Reproduction ou communication a des tiers interdite sous quelque forme que ce soit sans autorisation écrite du propriétaire. Propriété de ©BERG ELECTRONICS. Droits de reproduction BERG ELECTRONICS INC.

All rights strictly reserved. Reproduction or issue to third parties in any form whatever is not permitted without written authority from the proprietor. Property of ©BERG ELECTRONICS. Copyright BERG ELECTRONICS INC.

PRODUCT NO.	DIM "B"
95624-002/002LF	18.1
95624-003/003LF	11.5
95624-004/004LF	15.3
95624-006/006LF	6.6



mat'l. code		tolerances unless otherwise specified		CUSTOMER COPY	 www.fciconnect.com
ltr	ecn no	dr	date		
L					68 POS. NON-EJECT HEADER
					product family PC CARD
				scale 1:1	size: A4
sheet index	revision sheet				code 95624 sheet 2 of 4

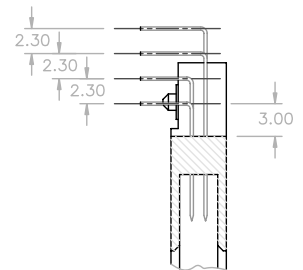
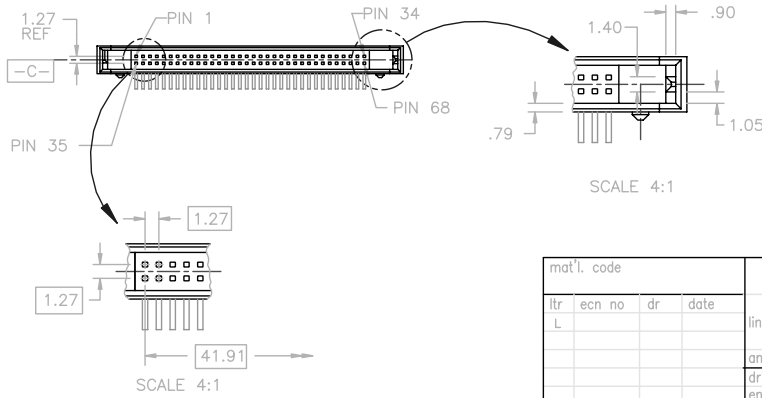
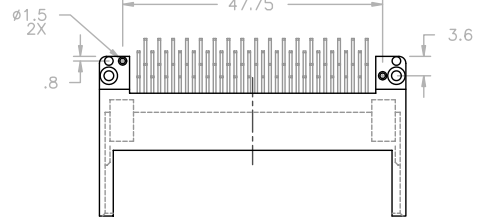
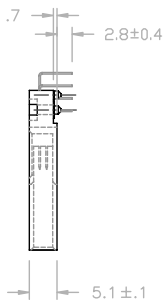
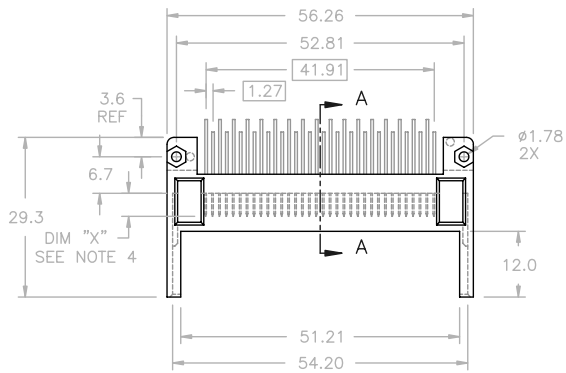
form no. 7530-001-103

PDM: Rev:L STATUS Released 2526 Oct 12, 2010

Tous droits strictement réservés. Reproduction ou communication a des tiers interdite sous quelque forme que ce soit sans autorisation écrite du propriétaire. Propriété de ©BERG ELECTRONICS. Droits de reproduction BERG ELECTRONICS INC.

All rights strictly reserved. Reproduction or issue to third parties in any form whatever is not permitted without written authority from the proprietor. Property of ©BERG ELECTRONICS. Copyright BERG ELECTRONICS INC.

PRODUCT NO.	P.C.B. LAYOUT
95624-005/005LF	SHEET 4



SECTION A-A  
SCALE 4:1

mat'l. code				tolerances unless otherwise specified			CUSTOMER COPY	 www.fciconnect.com
ltr	ecn no	dr	date	linear	.X ±.3	projection		
L					.XX ±.13		68 POS. NON-EJECT HEADER	
				angles	.XXX ±.051		product family	PC CARD
					0' ±2'	scale	size	
				dr	R. GRAPE 4/3/98	1:1	A4	
				engr	D BRANN 4/3/98		95624	
				chr	D BRANN 4/3/98			
				appd	D BRANN 4/3/98			
sheet index	revision sheet							

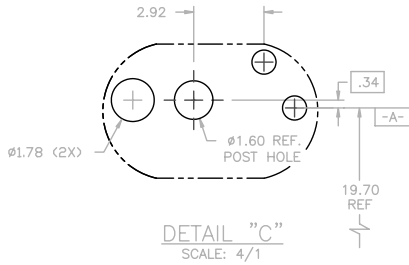
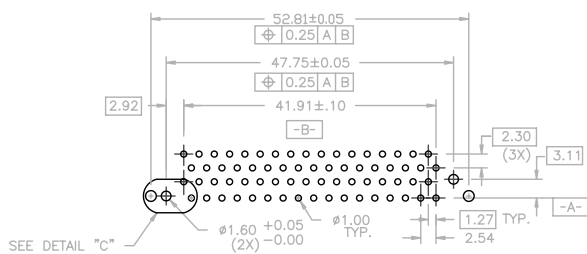
form no. 7530-001-103

PDM: Rev:L STATUS Released 2526 Oct 12, 2010

Tous droits strictement réservés. Reproduction ou communication a des tiers interdite sous quelque forme que ce soit sans autorisation écrite du propriétaire. Propriété de ©BERG ELECTRONICS. Droits de reproduction BERG ELECTRONICS INC.

All rights strictly reserved. Reproduction or issue to third parties in any form whatever is not permitted without written authority from the proprietor. Property of ©BERG ELECTRONICS. Copyright BERG ELECTRONICS INC.

1 | 2 | 3 | 4



95624-005  
RECOMMENDED PCB LAYOUT

NO PCB TRACES ALLOWED WITHIN 0.25mm OF  
OUTLINE OF CONNECTOR OR IN CARD INSERTION AREA.

NOTES:

- MATERIAL:  
CONTACT - PHOSPHOR BRONZE  
PLASTIC HOUSING - GLASS REINFORCED LCP AS PER UL-94V-0
- PLATING:  
CONTACT - ALL OVER 0.5um NICKEL UNDER PLATING  
0.1um GOLD OVER 0.5um PALLADIUM  
NICKEL SELECTIVE PLATING ON CONTACT.  
2.5um TIN/LEAD PLATING ON TIN LEAD OPTION SOLDER TAIL  
2.5um PURE TIN PLATING ON LEAD FREE OPTION SOLDER TAIL
- MATING CONNECTOR  
TO MATE WITH 68 POS. RECEPTACLE BASED ON  
JEIDA/PCMCIA SPECIFICATION
- DIM "X"  

DIM "X"		
4.25±.1	3.5±.1	5.0±.1
OTHERS	36,67	1,17,34,35,51,68
- THE HOUSING WILL WITHSTAND EXPOSURE TO  
260°C PEAK FOR 10 SECONDS IN A WAVE  
SOLDER APPLICATION WITH A 1.00MM MINIMUM  
THICK CIRCUIT BOARD
- PACKAGING MEETS GS-14-920 SPECIFICATION

mat'l. code				tolerances unless otherwise specified		CUSTOMER COPY	 www.fciconnect.com
ltr	ecn no	dr	date	linear	.X ±.3 .XX ±.13 .XXX ±.051		
L				angles	0° ±2'		68 POS. NON-EJECT HEADER
				dr	S DUESTERHOEFT 6/9/95		product family
				enrg	D BRANN 6/9/95	scale	PC CARD
				chr	D BRANN 6/9/95	2:1	size
				appd	D BRANN 6/9/95		dwg no
sheet	revision						A4
index	sheet	-					95624
							code
							4
							4 of 4

form no. 7530-001-103

1 | 2

PDM: Rev:L 3 STATUS Released 2526 cage code 2526 Oct 12, 2010