

Tous droits strictement réservés. Reproduction ou communication à des tiers sans autorisation écrite du propriétaire.
 All rights strictly reserved. Reproduction or communication to third parties in any form without written authority from the proprietor.
 Copyright BERG ELECTRONICS S.p.A.



All rights strictly reserved. Reproduction or issue to third parties in any form without written authority from the proprietor.
 Copyright BERG ELECTRONICS S.p.A.

| |
|------------------|
| PRODUCT NO. |
| 10026704-***** |
| 10026704-*****LF |

DESCRIPTION : ABOVE PCB, DECK AND PUSH ROD LOCATION ARE AS VIEW BY USER.

| LOWER DECK | | | | | | |
|------------------------|--------|---------------------|---------------|-----------------------------|--|--------------------------------------|
| ① PRODUCT NO. | DIM. L | PUSH ROD LOCATION ③ | P.C.B. SIDE ④ | P.C.B LAYOUT RECOMMENDED | ② MATING RECEPTACLE | MOUNT STYLE TO PCB AND PUSH ROD SIDE |
| 10026704-020CA/020CALF | 2.2 | RIGHT | ABOVE | SEE DRAWING P/N: TA-1052 | ↑ RECEPTACLE PART NUMBER: 91931-31169 91931-31169LF ↓ | |
| 10026704-040CA/040CALF | 4.3 | | | | | |
| 10026704-050CA/050CALF | 5.0 | | | | | |
| 10026704-120CA/120CALF | 2.2 | LEFT | | | | |
| 10026704-140CA/140CALF | 4.3 | | | | | |
| 10026704-150CA/150CALF | 5.0 | | | | | |
| 10026704-520CA/520CALF | 2.2 | RIGHT | BELOW | | | |
| 10026704-540CA/540CALF | 4.3 | | | | | |
| 10026704-550CA/550CALF | 5.0 | | | | | |
| 10026704-620CA/620CALF | 2.2 | LEFT | | | | |
| 10026704-640CA/640CALF | 4.3 | | | | | |
| 10026704-650CA/650CALF | 5.0 | | | | | |

NOTES:

- 8mm MIN. CARD EJECT.
- EJECT TRAVEL: 9.5mm
- PUSH ROD LOCATION AND P.C.B. SIDE ARE AS APPEARS INSTALLED.
- MATERIAL
 - HEADER ASS'Y:
 - PLASTIC : HOUSING ...LCP UL94V-0 BLACK
 - PIN : COPPER ALLOY
 - PCB : FR4
 - EJECT MECHANISM ASS'Y:
 - PLASTIC : GUIDE: POLYPHTHARAMID UL94V-0 BLACK
 - : BUTTON: POLYPHTHARAMID UL94V-0, BLACK
 - PLATE AND PUSH ROD : STAINLESS
 - EMI CONTACT: PHOSPHOR BRONZE
- FINISH (PIN)
 - UNDER PLATING : 0.5 um MIN. Ni
 - CONTACT AREA : 0.1 um MIN. GOLD OVER
 - 0.5 um MIN. Pd-Ni
 - SOLDER TAIL(TIN LEAD OPTION): 2.5 um MIN. Sn-Pb
 - SOLDER TAIL(LEAD FREE OPTION): 2.5 um MIN. PURE TIN

6. DIM "X"

| | | |
|----------|---------|------------------|
| 4.25±0.1 | 3.5±0.1 | 5.0±0.1 |
| OTHERS | 36,67 | 1,17,34,35,51,68 |

- IF LEAD FREE P/N. THE HOUSING WILL WITHSTAND EXPOSURE TO 260°C PEAK TEMPERATURE FOR 10 SECONDS IN A WAVE SOLDER APPLICATION WITH A 1.00MM MINIMUM THICK CIRCUIT BOARD.
- LEAD FREE PRODUCT MEETS EUROPEAN UNION DIRECTIVES AND OTHER COUNTRY REGULATIONS AS DISCRIBED IN GS-22-008
- IF LEAD FREE P/N. PACKAGING MEETS GS-14-920 SPECIFICATION

ORDERING INFORMATION

| NAME | PART NO. | | Q'TY |
|----------------------|----------------|------------------|------|
| ① EJECT HEADER ASS'Y | 10026704-***** | 10026704-*****LF | 1 |
| ② MATING RECEPTACLE | 91931-31169 | 91931-31169LF | 1 |

| | | | | | | | | | | |
|-------------|----------|--------------------------------------|----------|---|--------------------|---|-------------------------|------------|----------------------------|----------------------|
| mat'l code | | tolerance unless otherwise specified | | CUSTOMER COPY | www.fciconnect.com | | | | | |
| rev. | ecn no. | dr | date | linear | | title EJECTOR HEADER ASS'Y 5.0V, SMT TYPE 1/2/3 | | | | |
| A | T03-0195 | WL | 05/23/03 | | | | | | | |
| B | T03-0205 | WL | 06/05/03 | | | | | | | |
| C | N04-0105 | WB | 11/26/04 | | | | | | | |
| | | angles | | dr WENDY CHEN 04/18/03 engr SPENCER LAI 04/18/03 chr SCOTT LU 04/18/03 appd JENN TSAO 04/18/03 | | product family A3 | | | | |
| | | | | | | | mm/inch scale 1:1 | size A3 | | |
| | | | | | | | | | product family 10026704 | code sheet 1 of 6 |
| | | | | | | | | | | |
| sheet index | revision | C | C | C | C | C | | | | |
| | sheet | 1 | 2 | 3 | 4 | 5 | | | | |

Tous droits et brevets réservés. Toute réimpression ou communication à des tiers sans autorisation écrite du propriétaire. Copyright BERG ELECTRONICS S.A.



All rights strictly reserved. Reproduction or issue to third parties in any form or by any means without written authority from the proprietor. Copyright BERG ELECTRONICS S.A.

| |
|------------------|
| PRODUCT NO. |
| 10026704-***** |
| 10026704-*****LF |

DESCRIPTION : ABOVE PCB, DECK AND PUSH ROD LOCATION ARE AS VIEW BY USER.

UPPER DECK

| ① PRODUCT NO. | JOINT WITH LOWER DECK STAND-OFF HIGH(DIM. L) | PUSH ROD LOCATION ③ | P.C.B. SIDE ④ | P.C.B LAYOUT RECOMMENDED | ② MATING RECEPTACLE | MOUNT STYLE TO PCB AND PUSH ROD SIDE |
|------------------------|--|---------------------|---------------|--------------------------|---|--------------------------------------|
| 10026704-025CA/025CALF | 2.2 | RIGHT | ABOVE | SEE DRAWING P/N: TA-1052 | ↑ RECEPTACLE PART NUMBER: 91931-31169 91931-31169LF ↓ | |
| 10026704-045CA/045CALF | 4.3 | | | | | |
| 10026704-055CA/055CALF | 5.0 | | | | | |
| 10026704-125CA/125CALF | 2.2 | LEFT | | | | |
| 10026704-145CA/145CALF | 4.3 | | | | | |
| 10026704-155CA/155CALF | 5.0 | | | | | |
| 10026704-525CA/525CALF | 2.2 | RIGHT | BELOW | | | |
| 10026704-545CA/545CALF | 4.3 | | | | | |
| 10026704-555CA/555CALF | 5.0 | | | | | |
| 10026704-625CA/625CALF | 2.2 | LEFT | | | | |
| 10026704-645CA/645CALF | 4.3 | | | | | |
| 10026704-655CA/655CALF | 5.0 | | | | | |

- NOTES:
- IT CAN'T BE USED FOR SINGLE DECK.
 - IT MUST BE ASSEMBLED BY USER FOR DOUBLE DECK APPLICATION.

| | | | | | | |
|------------|----------|--------------------------------------|------|---------------|--------------------|----------------------|
| mat'l code | | tolerance unless otherwise specified | | CUSTOMER COPY | www.fciconnect.com | |
| rev. | ecn no. | dr | date | linear | projection | title |
| A | | | | | | EJECTOR HEADER ASS'Y |
| C | | | | angles | | 5.0V, SMT TYPE 1/2/3 |
| | | | | dr | unit | product family |
| | | | | engr | mm/inch | pack |
| | | | | chr | scale | size |
| | | | | appd | 1:1 | dwg no. |
| | | | | | | code |
| sheet | revision | | | | | 10026704 |
| index | sheet | | | | | 2 of |

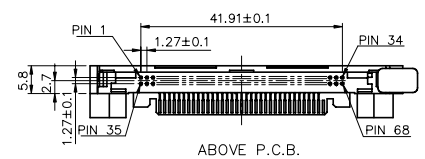
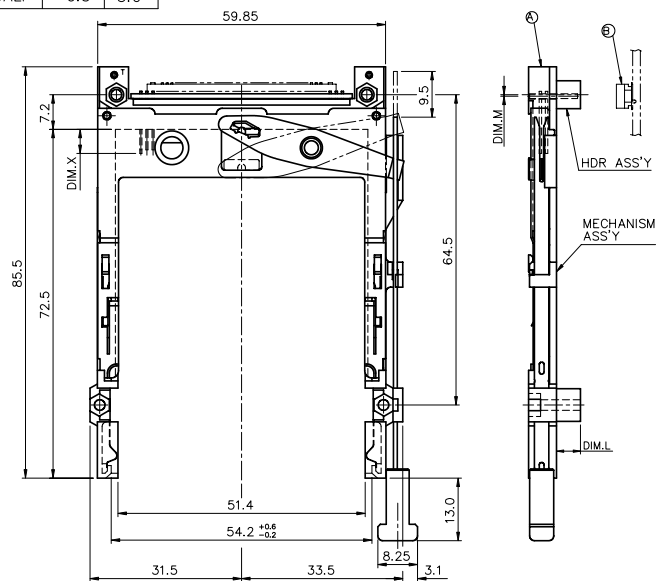
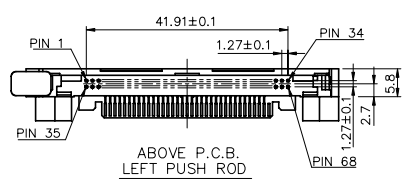
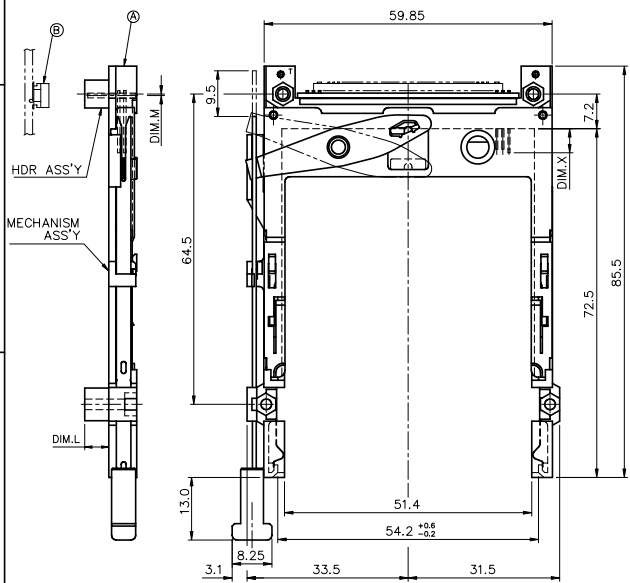
PDM: Rev:C STATUS Released Printed: Oct 12, 2010

Tous droits strictement réservés. Reproduction ou communication à des tiers sans autorisation écrite du propriétaire.
 All rights strictly reserved. Reproduction or communication to third parties in any form without written authority from the proprietor.
 Copyright BERG ELECTRONICS S.A.

All rights strictly reserved. Reproduction or communication to third parties in any form without written authority from the proprietor.
 Copyright BERG ELECTRONICS S.A.

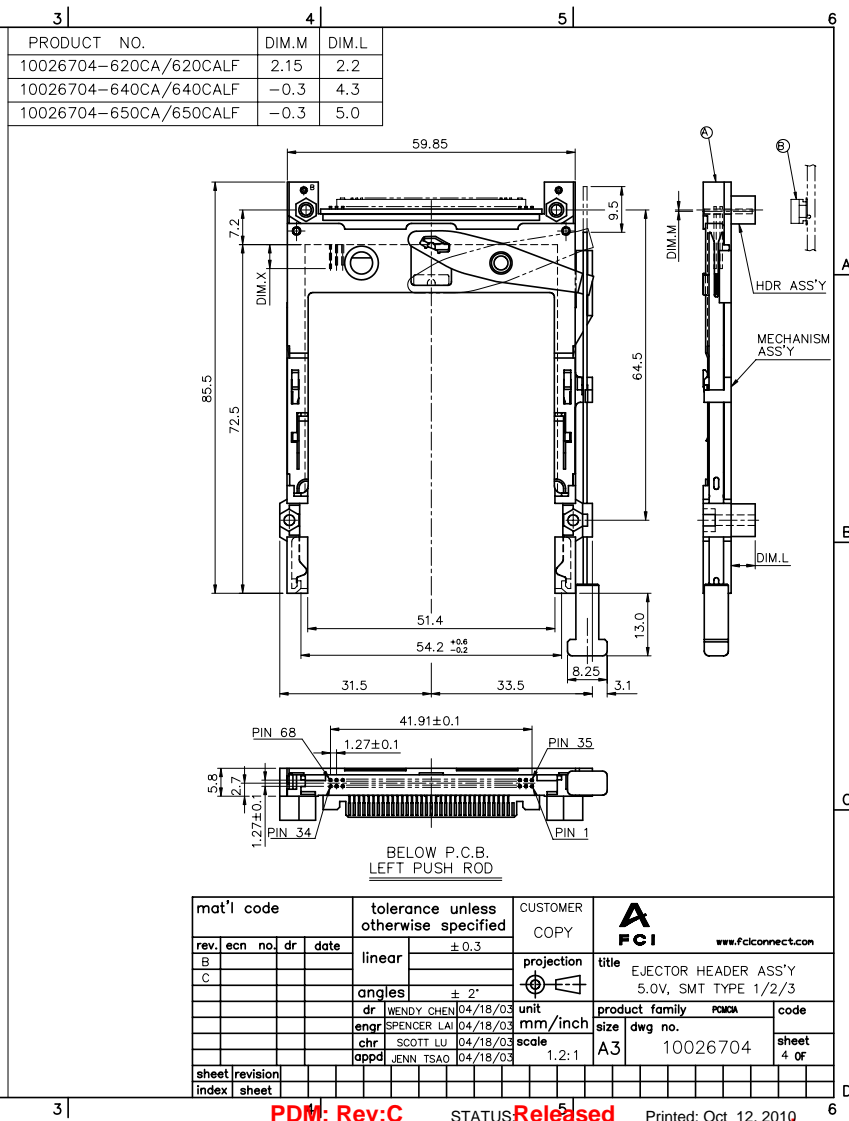
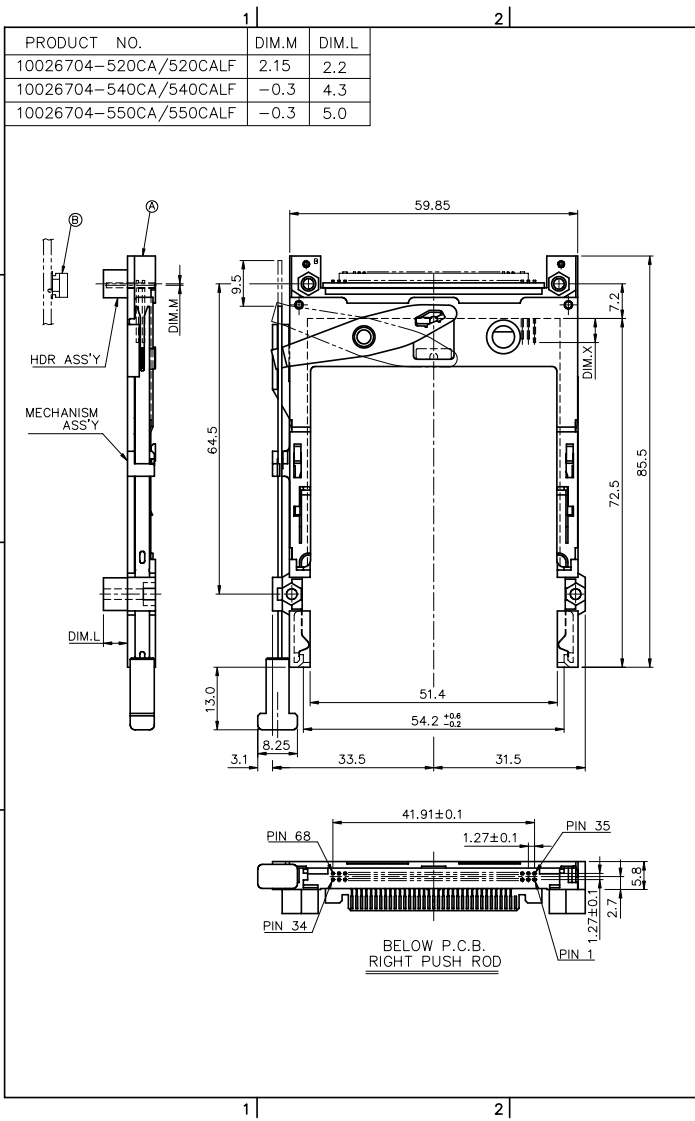
| PRODUCT NO. | DIM.M | DIM.L |
|------------------------|-------|-------|
| 10026704-120CA/120CALF | 2.15 | 2.2 |
| 10026704-140CA/140CALF | -0.3 | 4.3 |
| 10026704-150CA/150CALF | -0.3 | 5.0 |

| PRODUCT NO. | DIM.M | DIM.L |
|------------------------|-------|-------|
| 10026704-020CA/020CALF | 2.15 | 2.2 |
| 10026704-040CA/040CALF | -0.3 | 4.3 |
| 10026704-050CA/050CALF | -0.3 | 5.0 |



| | | | | | | | |
|------------|----------|--------------------------------------|------|---------------|----------------------|------------------------|----------------------|
| mat'l code | | tolerance unless otherwise specified | | CUSTOMER COPY | | www.fciconnect.com | |
| rev. | ecn no. | dr | date | linear | ± 0.30 | projection | title |
| | | | | angles | ± 2° | | EJECTOR HEADER ASS'Y |
| | | | | dr | WENDY CHEN 04/18/03 | unit | 5.0V, SMT TYPE 1/2/3 |
| | | | | enrg | SPENCER LAI 04/18/03 | mm/inch | product family |
| | | | | chr | SCOTT LU 04/18/03 | scale | 10026704 |
| | | | | appd | JENN TSAO 04/18/03 | size | A3 |
| sheet | revision | | | | | 1:2.1 | 10026704 |
| index | sheet | | | | | | 3 of |

All rights strictly reserved. Reproduction or issue to third parties in any form or by any means, electronic or mechanical, including photocopying, recording, or by any information storage and retrieval system, without written authority from the proprietor. Copyright © BERG ELECTRONICS S.p.A.



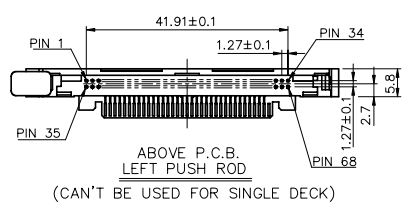
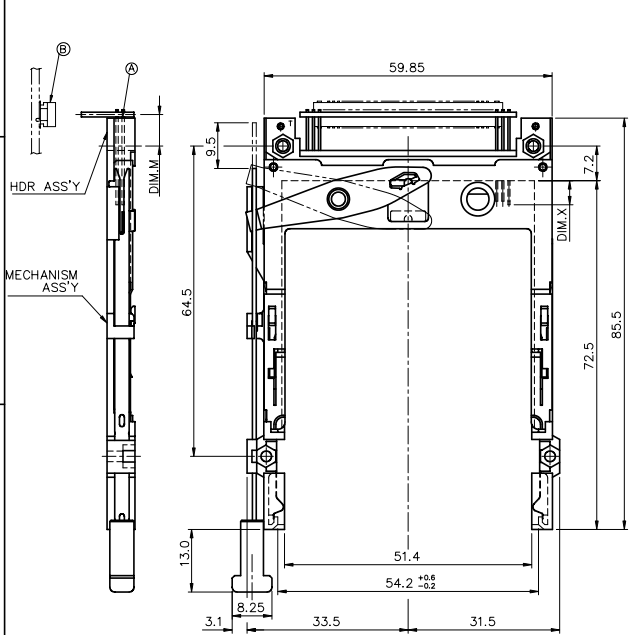
| | | | | | | | | | |
|------------|----------|----|------|--------------------------------------|----------------------|---------------|----------------------------|-------------------------------|-------|
| mat'l code | | | | tolerance unless otherwise specified | | CUSTOMER COPY | | FCI www.fciconnect.com | |
| rev. | ecn no. | dr | date | linear | ±0.3 | projection | title EJECTOR HEADER ASS'Y | | |
| B | | | | angles | ± 2° | | 5.0V, SMT TYPE 1/2/3 | | |
| C | | | | dr | WENDY CHEN 04/18/03 | unit | product family | part no. | code |
| | | | | enrg | SPENCER LAI 04/18/03 | mm/inch | size | dwg no. | sheet |
| | | | | chr | SCOTT LU 04/18/03 | scale | A3 | 10026704 | 4 of |
| | | | | appd | JENN TSAO 04/18/03 | 1:2:1 | | | |
| sheet | revision | | | | | | | | |
| index | sheet | | | | | | | | |

PDM: Rev:C STATUS **Released** Printed: Oct 12, 2010

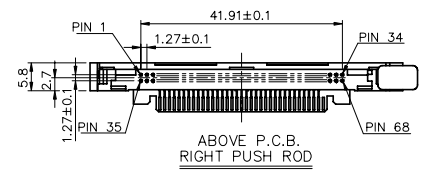
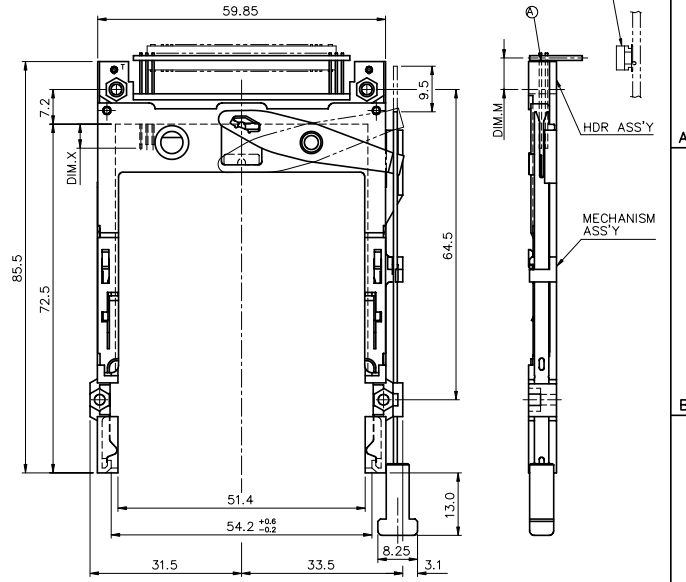
Tous droits strictement réservés. Reproduction ou communication à des tiers sans autorisation écrite du propriétaire.
 All rights strictly reserved. Reproduction or communication to third parties without written authority from the proprietor.
 Copyright BERG ELECTRONICS S.A.
 Copyright BERG ELECTRONICS S.A.

All rights strictly reserved. Reproduction or communication to third parties without written authority from the proprietor.
 Copyright BERG ELECTRONICS S.A.
 Copyright BERG ELECTRONICS S.A.

| PRODUCT NO. | DIM.M |
|------------------------|-------|
| 10026704-125CA/125CALF | 9.0 |
| 10026704-145CA/145CALF | 6.55 |
| 10026704-155CA/155CALF | 6.55 |



| PRODUCT NO. | DIM.M |
|------------------------|-------|
| 10026704-025CA/025CALF | 9.0 |
| 10026704-045CA/045CALF | 6.55 |
| 10026704-055CA/055CALF | 6.55 |



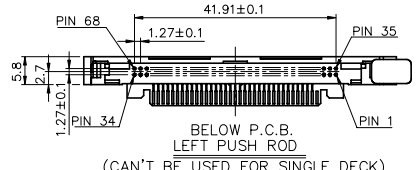
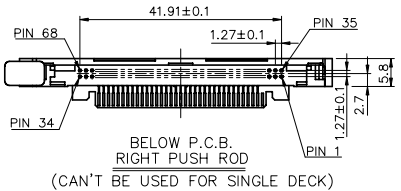
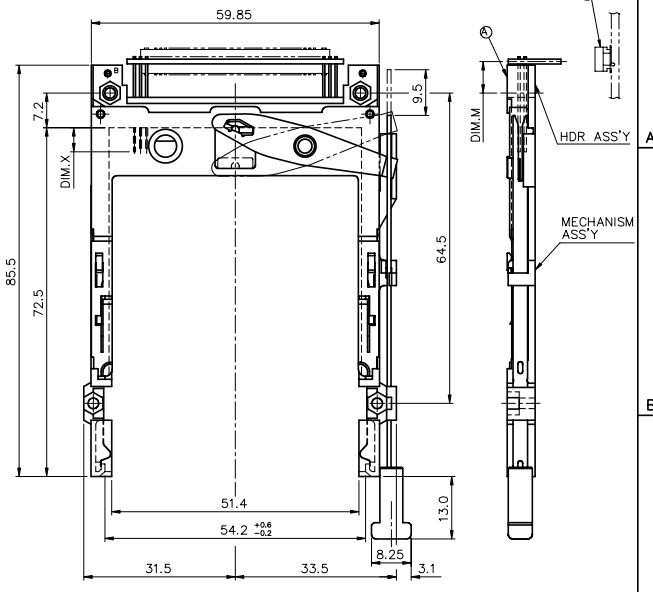
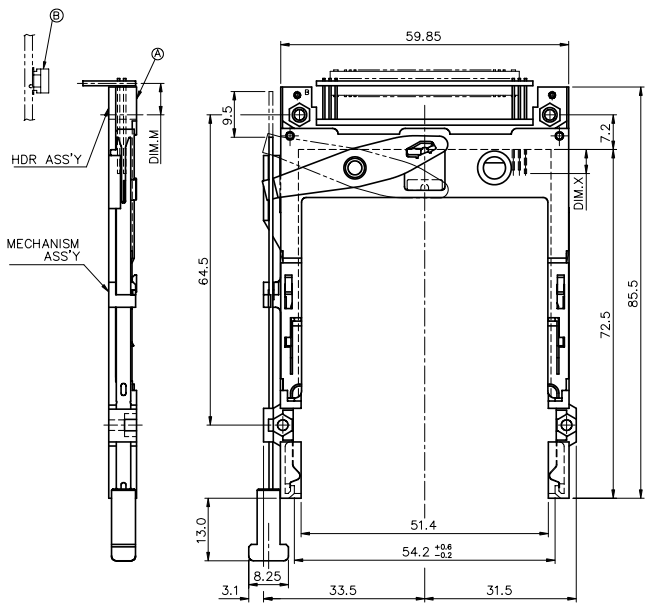
| | | | | | | | |
|------------|----------|--------------------------------------|------|---------------|----------------------|------------------------|----------------------|
| mat'l code | | tolerance unless otherwise specified | | CUSTOMER COPY | | www.fciconnect.com | |
| rev. | ecn no. | dr | date | linear | ± 0.30 | projection | title |
| | | | | angles | ± 2° | | EJECTOR HEADER ASS'Y |
| | | | | dr | WENDY CHEN 04/18/03 | unit | 5.0V, SMT TYPE 1/2/3 |
| | | | | engr | SPENCER LAI 04/18/03 | mm/inch | product family |
| | | | | chr | SCOTT LU 04/18/03 | scale | 10026704 |
| | | | | appd | JENN TSAO 04/18/03 | size | A3 |
| sheet | revision | | | size | dwg no. | 10026704 | code |
| index | sheet | | | scale | 1:2:1 | 10026704 | sheet 5 of |

Tous droits strictement réservés. Reproduction ou communication à des tiers sans autorisation écrite du propriétaire.
 All rights strictly reserved. Reproduction or communication to third parties in any form without written authority from the proprietor.
 Copyright BERG ELECTRONICS S.A.

All rights strictly reserved. Reproduction or communication to third parties in any form without written authority from the proprietor.
 Copyright BERG ELECTRONICS S.A.

| PRODUCT NO. | DIM.M |
|------------------------|-------|
| 10026704-525CA/525CALF | 9.0 |
| 10026704-545CA/545CALF | 6.55 |
| 10026704-555CA/555CALF | 6.55 |

| PRODUCT NO. | DIM.M |
|------------------------|-------|
| 10026704-625CA/625CALF | 9.0 |
| 10026704-645CA/645CALF | 6.55 |
| 10026704-655CA/655CALF | 6.55 |



| | | | | | | | |
|------------|----------|--------------------------------------|------|---------------|----------------------|------------------------|--|
| mat'l code | | tolerance unless otherwise specified | | CUSTOMER COPY | | www.fciconnect.com | |
| rev. | ecn no. | dr | date | linear | ±0.3 | projection | title |
| | | | | angles | ± 2° | | EJECTOR HEADER ASS'Y 5.0V, SMT TYPE 1/2/3 |
| | | | | dr | WENDY CHEN 04/18/03 | unit | product family |
| | | | | enrg | SPENCER LAI 04/18/03 | mm/inch | size |
| | | | | chr | SCOTT LU 04/18/03 | scale | 1:2.1 |
| | | | | appd | JENN TSAO 04/18/03 | | A3 |
| sheet | revision | | | | | | 10026704 |
| index | sheet | | | | | | 6 of 6 |