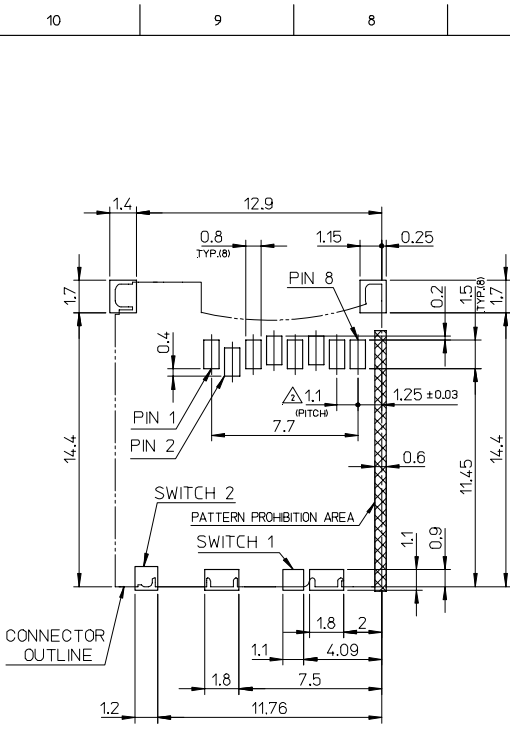


NOTES

- ターミナル及びネールの平坦度は 0.1 MAX.  
TERMINAL AND NAIL COPLANARITY TO BE 0.1 MAX.  
公差非累積  
TOLERANCE : NON-CUMULATIVE
- |                                       |                             |
|---------------------------------------|-----------------------------|
| カード位置状態<br>CARD INSERTION STATE       | ディテクト スイッチ<br>DETECT SWITCH |
| カード 排出位置<br>CARD DASHING OUT POSITION | オープン<br>OPEN                |
| カードロック位置<br>CARD LOCK POSITION        | クローズ<br>CLOSE               |
| カード押し込み位置<br>CARD PUSH POSITION       | クローズ<br>CLOSE               |
- ROHS COMPLIANT

EMBOSSED TAPE	501588-0801	501588-08**
CONNECTOR ONLY	501588-0809	
PACKAGE	MATERIAL NO.	MODEL NO.

REVISED EC NO: J2006-0490 DRWN: SHIRUYAMA 2005/08/24 CHKC: 2005/08/24 APPR: MSASAO 2005/08/30 DESCRIPTION A	GENERAL TOLERANCES (UNLESS SPECIFIED)		SCALE 5:1	DESIGN UNITS METRIC	THIRD ANGLE PROJECTION	REVISE ON CAD ONLY	
	10 UNDER	±0.2	DIMENSION STYLE MM ONLY		TITLE		
	10 OVER 30 UNDER	±0.25	DRAWN BY S.MARUYAM	DATE 2005/07/07	TFR CARD CONN. WITH DETECT SWITCH ASS'Y (MICRO SD) -LEAD FREE-		
	30 OVER	±0.3	CHECKED BY M.SASAO	DATE 2005/07/08	MOLEX INCORPORATED		
	ANGULAR ± ° 1		APPROVED BY M.SASAO	DATE 2005/07/08	MATERIAL NO. SEE CHART	DOCUMENT NO. SD-501588-001	SHEET NO. 1 OF 2
DRAFT WHERE APPLICABLE MUST REMAIN WITHIN DIMENSIONS			THIS DRAWING CONTAINS INFORMATION THAT IS PROPRIETARY TO MOLEX INCORPORATED AND SHOULD NOT BE USED WITHOUT WRITTEN PERMISSION				A3



RECOMMENDED  
PCB PATTERN LAYOUT  
(GENERAL TOLERANCE : ±0.05)

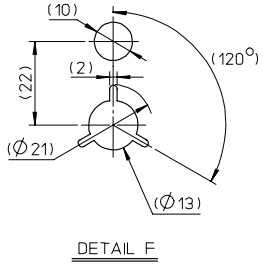
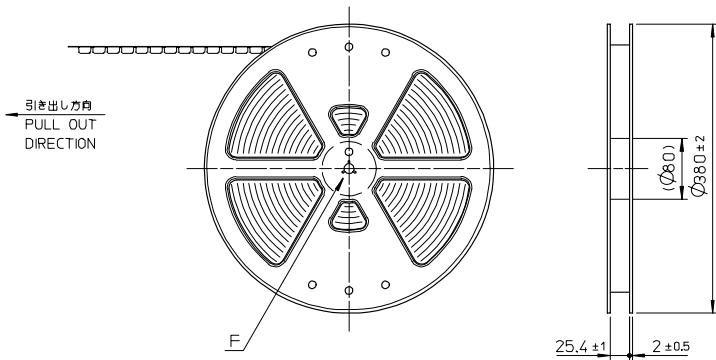
PARTS	QTY	MATERIAL	FINISH
ハウジング HOUSING	1	ガラス入り耐熱樹脂 (LCP), UL94V-0 色 : 黒 HEAT RESISTANCE POLYMER (LCP) , UL94V-0 , BLACK	---
スライダークラム SLIDER CAM	1	ガラス入り耐熱樹脂 (LCP), UL94V-0 色 : 黒 HEAT RESISTANCE POLYMER (LCP) , UL94V-0 , BLACK	---
ターミナル TERMINAL	8	りん青銅 PHOSPHOR BRONZE	接点部 : 金メッキ 0.5 μm MIN. CONTACT AREA : GOLD 0.5 μm MIN. 下地 : ニッケルメッキ 2.0 μm MIN. UNDER PLATING : NICKEL 2.0 μm MIN. 半田付け部 : 錫メッキ 1.0 μm MIN. SOLDER AREA : TIN 1.0 μm MIN.
ディテクトターミナル DETECT TERMINAL	1	ベリリウム銅 BERYLLIUM COPPER	接点部 : 金メッキ 0.5 μm MIN. CONTACT AREA : GOLD 0.5 μm MIN. 下地 : ニッケルメッキ 2.0 μm MIN. UNDER PLATING : NICKEL 2.0 μm MIN. 半田付け部 : 錫メッキ 1.0 μm MIN. SOLDER AREA : TIN 1.0 μm MIN.
ディテクトネイル DETECT NAIL	1	りん青銅 PHOSPHOR BRONZE	接点部 : 金メッキ 0.5 μm MIN. CONTACT AREA : GOLD 0.5 μm MIN. 下地 : ニッケルメッキ 2.0 μm MIN. UNDER PLATING : NICKEL 2.0 μm MIN. 半田付け部 : 錫メッキ 1.0 μm MIN. SOLDER AREA : TIN 1.0 μm MIN.
メタルカバー METAL COVER	1	ステンレス鋼 STAINLESS STEEL	全面 : ニッケルメッキ 1.0 μm MIN. ALLOVER : NICKEL 1.0 μm MIN.
ピン PIN	1	ステンレス鋼 STAINLESS STEEL	---
スプリング SPRING	1	ピアノ線 SWP	全面 : ニッケルメッキ ALLOVER : NICKEL

tb\_Frame\_A3\_J AM\_S  
Rev. C 2003/08/05

REVISED EC NO: J2006-0490 DRWN: SHIRUYAMA 2005/08/24 CHKD: M.SASAO 2005/08/24 APPR: M.SASAO 2005/08/30 REV DESCRIPTION	GENERAL TOLERANCES (UNLESS SPECIFIED)		SCALE 5:1	DESIGN UNITS METRIC	501588-08**	MODEL NO.		
	10 UNDER	± 0.2	DIMENSION STYLE MM ONLY		THIRD ANGLE PROJECTION	REVISE ON CAD ONLY		
	10 OVER 30 UNDER	± 0.25	DRAWN BY S.MARUYAMA 2005/07/07		TITLE TFR CARD CONN. WITH DETECT SWITCH ASS'Y (MICRO SD) -LEAD FREE-			
	30 OVER	± 0.3	CHECKED BY M.SASAO 2005/07/08		MOLEX INCORPORATED			
	ANGULAR	± ° 1	APPROVED BY M.SASAO 2005/07/08		MATERIAL NO.	DOCUMENT NO.	SHEET NO.	
DRAFT WHERE APPLICABLE MUST REMAIN WITHIN DIMENSIONS			THIS DRAWING CONTAINS INFORMATION THAT IS PROPRIETARY TO MOLEX INCORPORATED AND SHOULD NOT BE USED WITHOUT WRITTEN PERMISSION			SEE CHART	SD-501588-001	2 OF 2

EN-02JA(021)

10 9 8 7 6 5 4 3 2 1

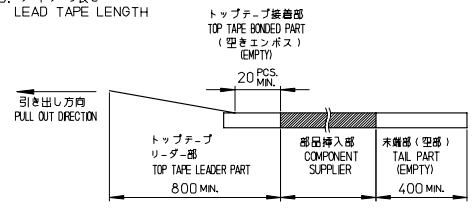


**NOTES**

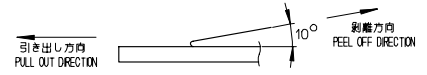
1. 製品(501588-0809)の群組寸法については、  
図面番号SD-501588-001をご参照下さい。  
IN THE PACKAGE, PART NO. 501588-0809 DETAILED DIMENSIONS,  
REFER TO SALES DRAWING NO. SD-501588-001.

2. 梱包数量 : 1400個/リール  
NUMBER OF CONNECTORS : 1400 PCS/REEL

3. リードテープ長さ  
LEAD TAPE LENGTH

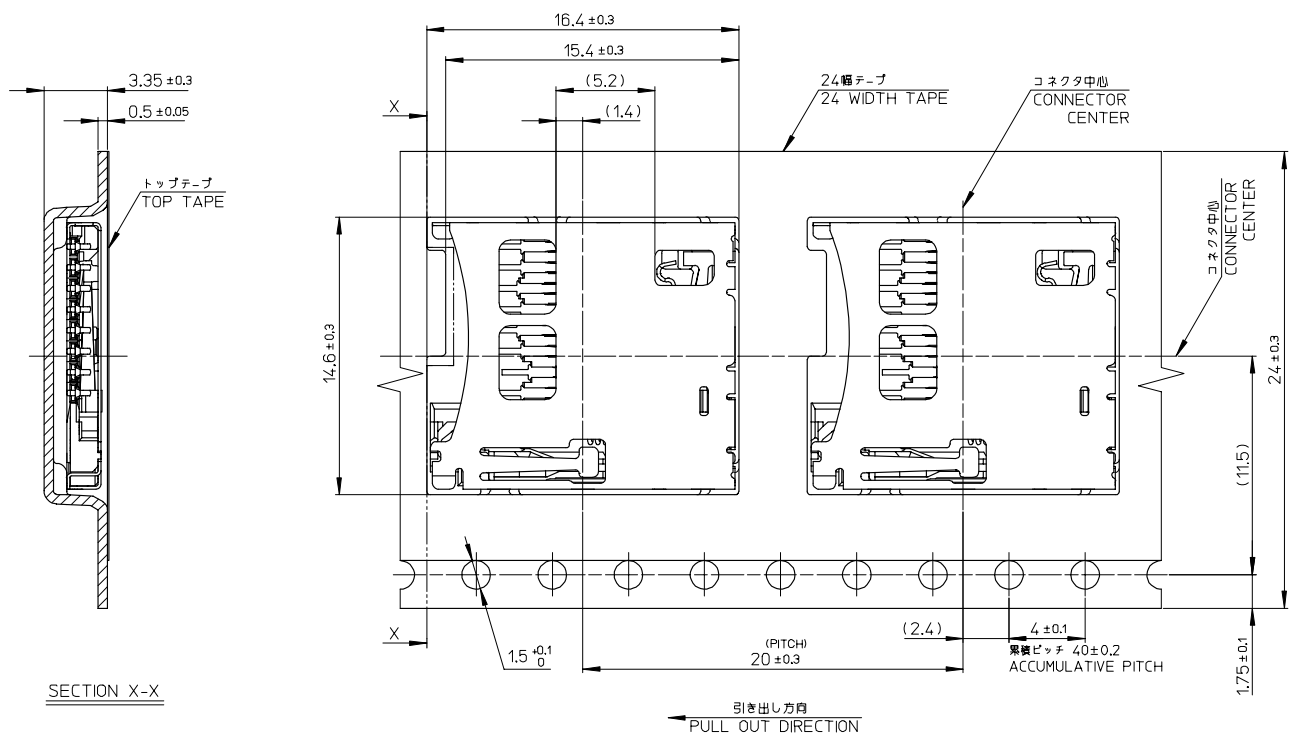


4. トップテープの剥離強度 : 0.1~1.3N (10.2~130gf) (剥離方向は下図参照)  
尚、本規格は、出荷時に適用。(但し、輸送時に剥離が発生しない事。)  
PEELING OFF FORCE OF TOP TAPE : 0.1~1.3N (10.2~130gf)  
(PEELING DIRECTION AS SHOWN IN FOLLOWING FIG.)  
THIS REQUIREMENT SHOULD BE APPLIED AT SHIPMENT.  
(PEEL OFF SHOULD NOT BE ALLOWED, DURING TRANSPORTATION)



5. 材料  
キャリアテープ: ポリスチレン (PS)  
トップテープ : PET, PE, PEF  
リール : ポリスチレン (PS) <リサイクル材を含む>  
MATERIAL  
CARRIER TAPE : POLYSTYRENE (PS)  
TOP TAPE : PET, PE, PEF  
REEL : POLYSTYRENE (PS) <RECYCLE MATERIAL CONTAINED>

RELEASED EC NO.: J2006-1018 DRWN.: SMARUYAMA 2005/09/28 CHKCDM.: SASAO 2005/09/30 APPR.: MSASAO 2005/10/03	GENERAL TOLERANCES (UNLESS SPECIFIED)		DIMENSION STYLE MM ONLY		SCALE ---	DESIGN UNITS METRIC	THIRD ANGLE PROJECTION
	10 UNDER	± 0.2	DRAWN BY SMARUYAMA	DATE 2005/09/28	TITLE TFR CARD CONN. EMBOSSED TAPE PACKAGE -LEAD FREE- MOLEX INCORPORATED		
	10 OVER 30 UNDER	± 0.25	CHECKED BY M. SASAO	DATE 2005/09/28			
	30 OVER	± 0.3	APPROVED BY M. SASAO	DATE 2005/09/28			
0	ANGULAR ± 3 °	DRAFT WHERE APPLICABLE MUST REMAIN WITHIN DIMENSIONS		MATERIAL NO. 501588-0801	DOCUMENT NO. SD-501588-002	SHEET NO. 1 OF 1	



SECTION X-X

RELEASED EC NO: J2006-1018 DRWN: SMARUYAMA 2005/09/29 CHKDM: SASAO 2005/09/30 APPR: MSASAO 2005/10/03	GENERAL TOLERANCES (UNLESS SPECIFIED)		DIMENSION STYLE MM ONLY		SCALE ---	DESIGN UNITS METRIC	THIRD ANGLE PROJECTION
	10 UNDER	± 0.2	DRAWN BY SMARUYAMA	DATE 2005/09/28	TITLE TFR CARD CONN. EMBOSSED TAPE PACKAGE -LEAD FREE- MOLEX INCORPORATED		
	10 OVER 30 UNDER	± 0.25	CHECKED BY M. SASAO	DATE 2005/09/28			
	30 OVER	± 0.3	APPROVED BY M. SASAO	DATE 2005/09/28			
	ANGULAR	± 3 °	MATERIAL NO. 501588-0801		DOCUMENT NO. SD-501588-002	SHEET NO. 2 OF 2	
DRAFT WHERE APPLICABLE MUST REMAIN WITHIN DIMENSIONS		SIZE A3	THIS DRAWING CONTAINS INFORMATION THAT IS PROPRIETARY TO MOLEX INCORPORATED AND SHOULD NOT BE USED WITHOUT WRITTEN PERMISSION				