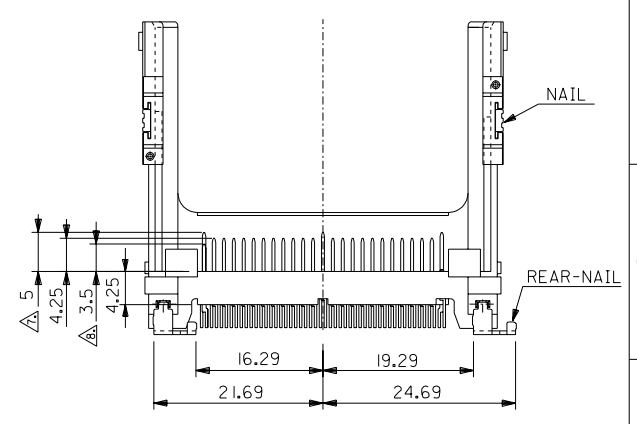
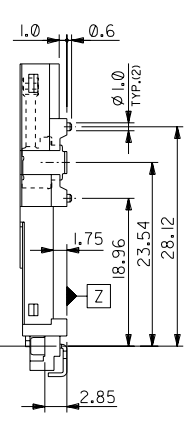
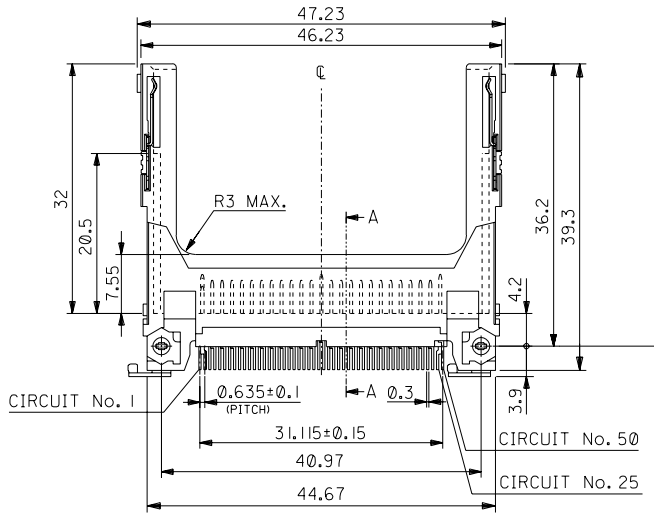
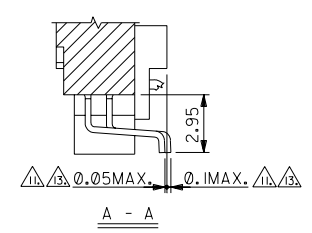
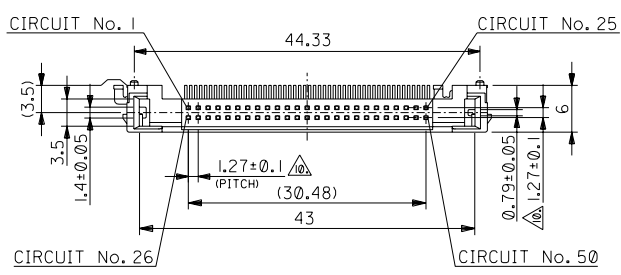


DWG. NO. SD-55359-015



SEMI-HARD TRAY PACKAGE	55359-5027
SOFT TRAY PACKAGE	55359-5029
PACKING TRAY FORM	MATERIAL No.

DO NOT SCALE DRAWING

EC NO. DRWN: CHK: APPR:	EC NO. DRWN: CHK: APPR:	EC NO. DRWN: CHK: APPR:	EC NO. DRWN: CHK: APPR:	EC NO. DRWN: CHK: APPR:	RELEASED 04/03/22 EC NO. J2004-3249 DRWN: Y.SAKIYAMA CHK: M.SASAO APPR: M.SASAO	MATERIAL 材料 SHEET 2 OF 2 参照 REFER TO SHEET 2 OF 2	GENERAL TOLERANCES: (UNLESS SPECIFIED) 一般公差	SCALE —	DESIGN UNITS <input checked="" type="checkbox"/> mm <input type="checkbox"/> INCH	<input checked="" type="checkbox"/> THIRD ANGLE <input type="checkbox"/> PROJECTION	DIMENSIONS: <input type="checkbox"/> mm <input type="checkbox"/> INCH <input checked="" type="checkbox"/> mm ONLY	SHT REV
					FINISH 仕上り SHEET 2 OF 2 参照 REFER TO SHEET 2 OF 2	WIRE RANGE 適用電線範囲 —	10 UNDER 未満 +0.2	DRAWN BY & DATE Y.Sakiyama 04/03/22	TITLE: CF CARD CONN. 50P HEADER ASS'Y (TYPE I/II, REVERSE) -LEAD FREE-	Molex MOLEX INCORPORATED	REVISE ON CAD ONLY	
					INS. RANGE 被覆外径 —	WIRE RANGE 適用電線範囲 —	10 OVER 以上 +0.25	CHECKED BY & DATE H. Sasaki 04/03/22	MATERIAL NO. SEE CHART	DRAWING NO. SD-55359-015	SHEET NO. 1 OF 2	
							30 OVER 以上 +0.3	APPROVED BY & DATE H. Sasaki 04/03/22	CAD FILENAME SD-55359-015.S01	DRAWING NO. SD-55359-015	SHEET NO. 1 OF 2	
							ANGLE 角度 +3°	THIS DRAWING CONTAINS INFORMATION THAT IS PROPRIETARY TO MOLEX INCORPORATED AND SHOULD NOT BE USED WITHOUT WRITTEN PERMISSION.	MATERIAL NO. SEE CHART	DRAWING NO. SD-55359-015	SHEET NO. 1 OF 2	
											SIZE B	

EN-02J(097) MXJ-54

DWG. NO. SD-55359-015

注) 1. 材質 MATERIAL
ハウジング: ガラス入りLCP UL 94V-0
HOUSING: LIQUID CRYSTAL POLYMER G.F. UL94V-0
ピン: リン青銅
PIN: PHOSPHOR BRONZE
ネール: リン青銅 (t0.3)
NAIL: PHOSPHOR BRONZE (t0.3)
リヤネール: リン青銅 (t0.48)
REAR-NAIL: PHOSPHOR BRONZE (t0.48)

2. メッキ仕様 PLATING
ピン PIN
接点部: パラジウムニッケル下地、金メッキ
CONTACT AREA: GOLD OVER PALLADIUM-NICKEL PLATING
半田付け部: 錫メッキ
SOLDER TAIL AREA: TIN PLATING
下地メッキ: ニッケルメッキ
UNDER PLATING: NICKEL ALL OVER PLATING
ネール NAIL
接点部: 金メッキ
CONTACT AREA: GOLD PLATING
半田付け部: 錫メッキ
SOLDER TAIL AREA: TIN PLATING
下地メッキ: ニッケルメッキ
UNDER PLATING: NICKEL ALL OVER PLATING
リヤネール REAR-NAIL
錫メッキ
TIN PLATING
下地メッキ: ニッケルメッキ
UNDER PLATING: NICKEL ALL OVER PLATING

3. 推奨基板厚: t=0.8 MIN.
RECOMMENDED P.C.B. THICKNESS: t=0.8 MIN.

4. 適合カート厚
RECOMMENDED CARD THICKNESS
接続部: 3.3±0.1
CONNECTING AREA: 3.3±0.1

5. 適合カート幅: 42.8±0.1
RECOMMENDED CARD WIDTH: 42.8±0.1

6. ハウジング色: 黒
HOUSING COLOR: BLACK

△ 寸法適用極: 1,13,38,50
THIS DIMENSION APPLIES TO CIRCUIT NUMBERS 1,13,38 AND 50.

△ 寸法適用極: 25,26
THIS DIMENSION APPLIES TO CIRCUIT NUMBERS 25 AND 26.

△ ピンの倒れは、ピン根元を基準に全方向へ0.1 MAX.とする。
PIN TIP LEAN TOWARD ANY DIRECTION NOT TO EXCEED 0.1 WHEN MEASURED FROM PIN BASE.

△ ピン根元に適用する。
THIS DIMENSION TO BE MEASURED AT PIN BASE.

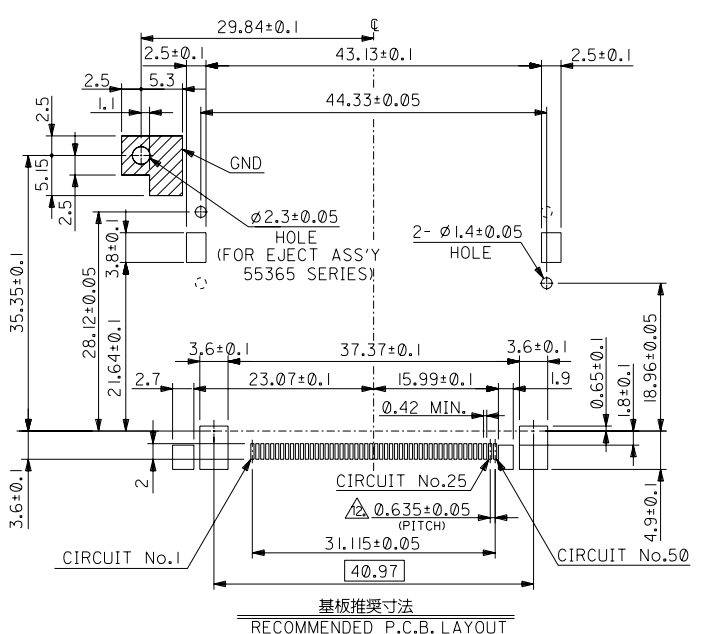
△ ソルダータールは、Z面を基準とし上へ0.05下へ0.1の範囲にあり、目ツルダータールの平坦度は、0.1 MAX.とし、テール先端にて測定する。
SOLDERTAILS TO BE WITHIN 0.05 UPWARD AND 0.1 DOWNWARD FROM Z-DATUM PLACE, AND COPLANARITY OF SOLDERTAILS TO BE WITHIN 0.1. MEASUREMENT POINT IS SOLDERTAILS TIP.

△ 公差非累積
NON-CUMULATIVE

△ テールとネール、リヤネールを併せた平坦度は、0.1 MAX.とする。
TOTAL COPLANARITY OF SOLDER TAILS, NAILS AND REAR-NAILS TO BE 0.1 MAX.

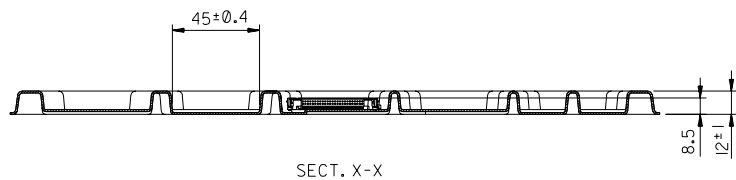
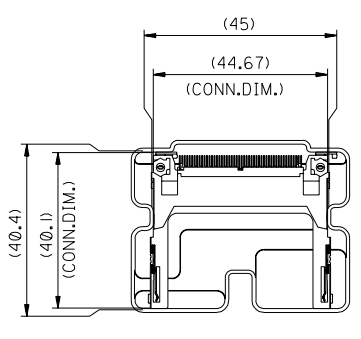
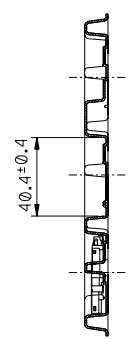
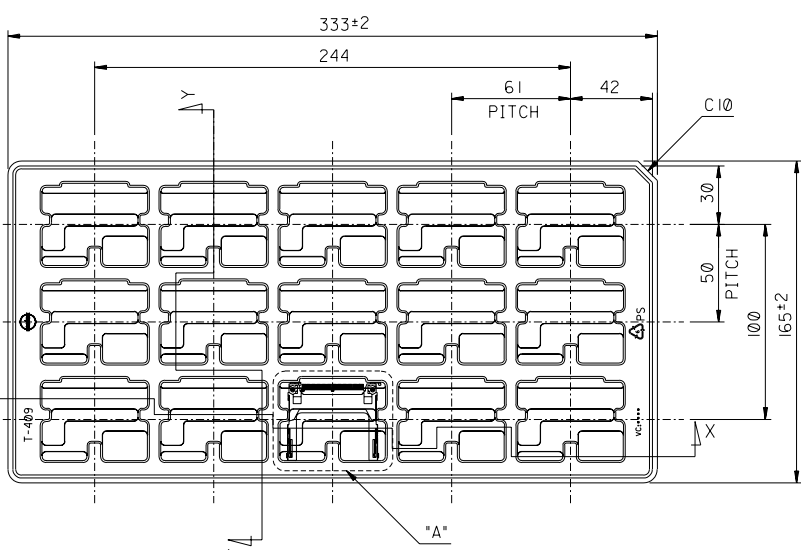
14. 鉛フリー対応表
CORRESPONDENCE TABLE OF LEAD FREE

	SEMI-HARD TRAY PKG	SOFT TRAY PKG
半田品 LEAD CONTENT	55359 -5026	55359 -5021
鉛フリー品 LEAD FREE	55359 -5027	55359 -5029



DO NOT SCALE DRAWING	EC NO. DRWN: CHK: APPR:	EC NO. DRWN: CHK: APPR:	EC NO. DRWN: CHK: APPR:	EC NO. DRWN: CHK: APPR:	EC NO. DRWN: CHK: APPR:	RELEASED 04/03/22 EC NO. J2004-3249 DRWN: Y.SAKIYAMA CHK: M.SASAO APPR: M.SASAO	MATERIAL 材料 注記参照 SEE NOTES	FINISH 仕上げ 注記参照 SEE NOTES	WIRE RANGE 適用電線範囲 ---	INS. RANGE 被覆外径 ---	GENERAL TOLERANCES: (UNLESS SPECIFIED) 一般公差	SCALE ---	DESIGN UNITS mm <input checked="" type="checkbox"/> INCH <input type="checkbox"/>	THIRD ANGLE PROJECTION <input checked="" type="checkbox"/>	DIMENSIONS: <input type="checkbox"/> mm <input type="checkbox"/> INCH <input checked="" type="checkbox"/> mm ONLY	SHT REV		
											10 UNDER 未満	+0.2	DRAWN BY & DATE Y.Sakiyama 04/03/22	TITLE: CF CARD CONN. 50P HEADER ASS'Y (TYPE I/II, REVERSE) -LEAD FREE-	SHEET NO. 2 OF 2			
											10 OVER 以上	30 UNDER 未満	+0.25	CHECKED BY & DATE H. Saito 04/03/22				
											30 OVER 以上			+0.3	APPROVED BY & DATE H. Saito 04/03/22			
											ANGLE 角度			+3°	CAD FILENAME SD-55359-015.S02	MATERIAL NO. SEE CHART	DRAWING NO. SD-55359-015	SIZE B
											THIS DRAWING CONTAINS INFORMATION THAT IS PROPRIETARY TO MOLEX INCORPORATED AND SHOULD NOT BE USED WITHOUT WRITTEN PERMISSION.				EN-02J(097) MXJ-54			

DWG. NO. SD-55359-017



NOTES

1. 一般公差: ±0.5
GENERAL TOLERANCES: ±0.5
2. 反り: 2MAX.
WARP: 2MAX.
3. 本図は、鉛フリー製品: 55359-5027に適用する
梱包図面である。
THIS PACKING DRAWING APPLIED TO 55359-5027. (LEAD FREE)

DO NOT SCALE DRAWING

EC NO. DRWN: CHK: APPR:		EC NO. DRWN: CHK: APPR:		EC NO. DRWN: CHK: APPR:		EC NO. DRWN: CHK: APPR:		EC NO. DRWN: CHK: APPR:		RELEASED 04/03/22 EC NO. J2004-3249 DRWN: Y.SAKIYAMA CHK: M.SASAO APPR: M.SASAO		MATERIAL 材料 トレイ: ポリスチレン (t=1.0) TRAY: POLYSTYRENE (t=1.0)		GENERAL TOLERANCES: (UNLESS SPECIFIED) 一般公差 10 UNDER 未満 +0.2 10 OVER 以上 30 UNDER 未満 +0.25 30 OVER 以上 +0.3 ANGLE 角度 ±3°		SCALE 1:2 DESIGN UNITS <input checked="" type="checkbox"/> mm <input type="checkbox"/> INCH DRAWN BY & DATE Y.Sakiyama 04/03/22 CHECKED BY & DATE H. Saito 04/03/22 APPROVED BY & DATE H. Saito 04/03/22		THIRD ANGLE PROJECTION <input checked="" type="checkbox"/> THIRD ANGLE PROJECTION DIMENSIONS: <input type="checkbox"/> mm <input type="checkbox"/> INCH <input checked="" type="checkbox"/> mm ONLY TITLE: T-409 TRAY CF CARD CONN. 50P HEADER HS'G ASS'Y -LEAD FREE- MOLEX INCORPORATED		SHT 15 REV 0 QUANTITY 15 MATERIAL NO. 55359-5027 SHEET NO. 1 OF 1 SIZE B	
WIRE RANGE 適用電線範囲 //		FINISH 仕上げ //		INS. RANGE 被覆外径 //		REV 0		CAD FILENAME SD-55359-017.S01		MATERIAL NO. SEE CHART		DRAWING NO. SD-55359-017		THIS DRAWING CONTAINS INFORMATION THAT IS PROPRIETARY TO MOLEX INCORPORATED AND SHOULD NOT BE USED WITHOUT WRITTEN PERMISSION.		EN-02J(097) MXJ-54					